



US00D803972S

(12) **United States Design Patent** (10) **Patent No.:** **US D803,972 S**
Geissele (45) **Date of Patent:** **** Nov. 28, 2017**

(54) **BOLT CARRIER**

- (71) Applicant: **WHG Properties, LLC**, North Wales, PA (US)
- (72) Inventor: **William H. Geissele**, Lower Gwynedd, PA (US)
- (73) Assignee: **WHG Properties, LLC**, North Wales, PA (US)
- (**) Term: **15 Years**

- (21) Appl. No.: **29/567,671**
- (22) Filed: **Jun. 10, 2016**
- (51) **LOC (10) Cl.** **22-01**
- (52) **U.S. Cl.**
USPC **D22/108**
- (58) **Field of Classification Search**
USPC D22/108
CPC F41C 27/00; F41A 5/00; F41A 5/18
See application file for complete search history.

(56) **References Cited**

U.S. PATENT DOCUMENTS

7,965,091	B2 *	6/2011	Boe	G01R 31/2808 324/756.07
D641,451	S *	7/2011	Gomez	F41A 5/20 D22/108
8,251,112	B1 *	8/2012	Stewart	B23C 5/04 144/117.1
8,348,041	B2 *	1/2013	Elliott	F16D 11/14 192/108
D746,398	S *	12/2015	DeLuca	D22/108
D754,273	S *	4/2016	Oglesby	D22/108
D790,028	S *	6/2017	Geissele	D22/108
9,702,652	B1 *	7/2017	Jackson	F41A 21/482
2010/0319527	A1 *	12/2010	Giefing	F41A 3/26 89/185

OTHER PUBLICATIONS

Rainier Arms, Bootleg Adjustable Carrier 5.56, Publication Date Unknown, [site visited Jan. 16, 2017], Available on the Internet URL:<<https://www.rainierarms.com/bootleg-adjustable-carrier-5-56>>.

* cited by examiner

Primary Examiner — Michael A Pratt

(74) *Attorney, Agent, or Firm* — Merchant & Gould, P.C.

(57) **CLAIM**

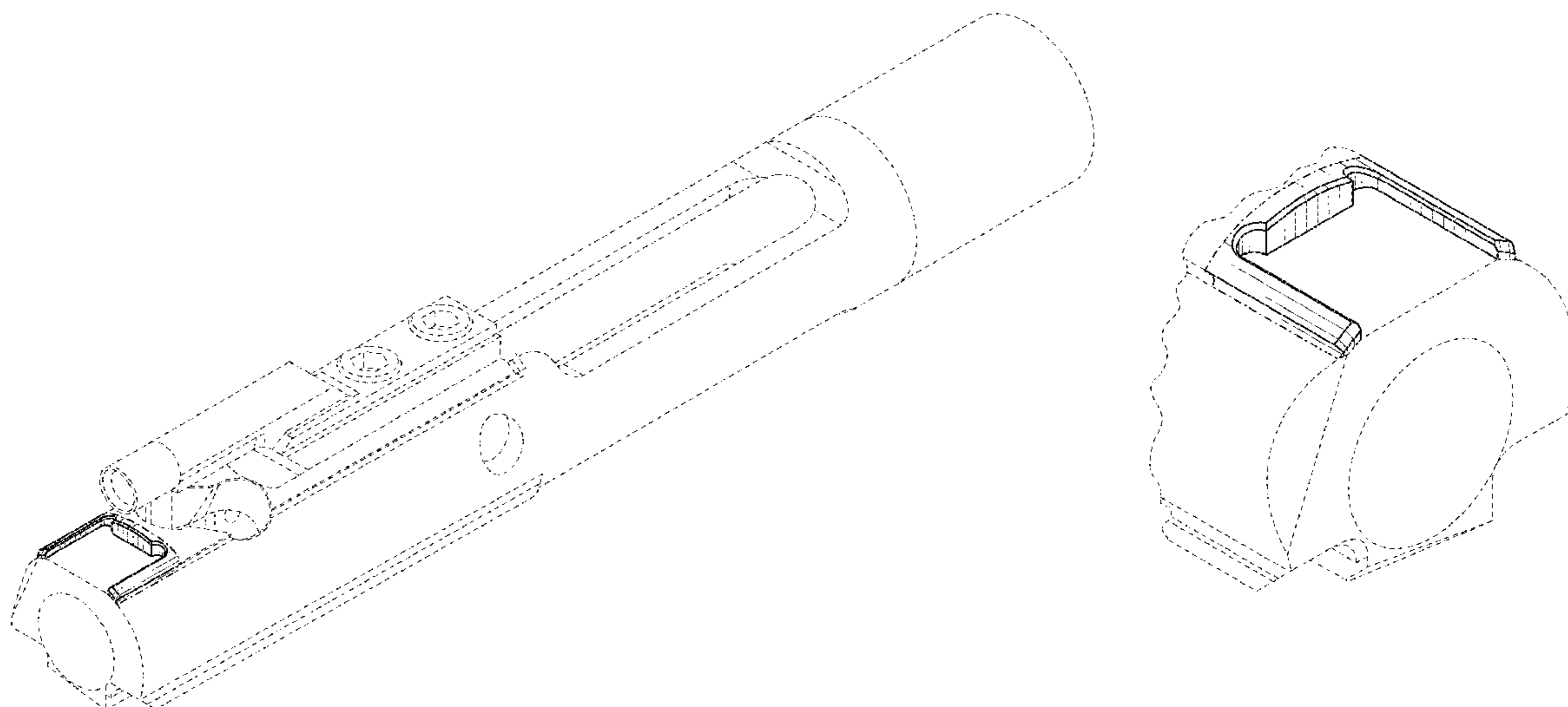
The ornamental design for a bolt carrier, as shown and described.

DESCRIPTION

FIG. 1 is an isometric view of a bolt carrier in accordance with the present disclosure;
 FIG. 2 is a further isometric view of the bolt carrier of FIG. 1;
 FIG. 3 is a front elevation view of the bolt carrier of FIG. 1
 FIG. 4 is a right side elevation view of the bolt carrier of FIG. 1
 FIG. 5 is a left side elevation view of the bolt carrier of FIG. 1;
 FIG. 6 is a top view of the bolt carrier of FIG. 1;
 FIG. 7 is an enlarged isometric view of the bolt carrier of FIG. 1; and,
 FIG. 8 is an enlarged isometric view of the bolt carrier of FIG. 2.

The broken lines in the Figures represent portions of the bolt carrier that form no part of the claimed design. The dot-dashed-dot broken lines depict the boundary of the claim and form no part of the claim.

1 Claim, 4 Drawing Sheets



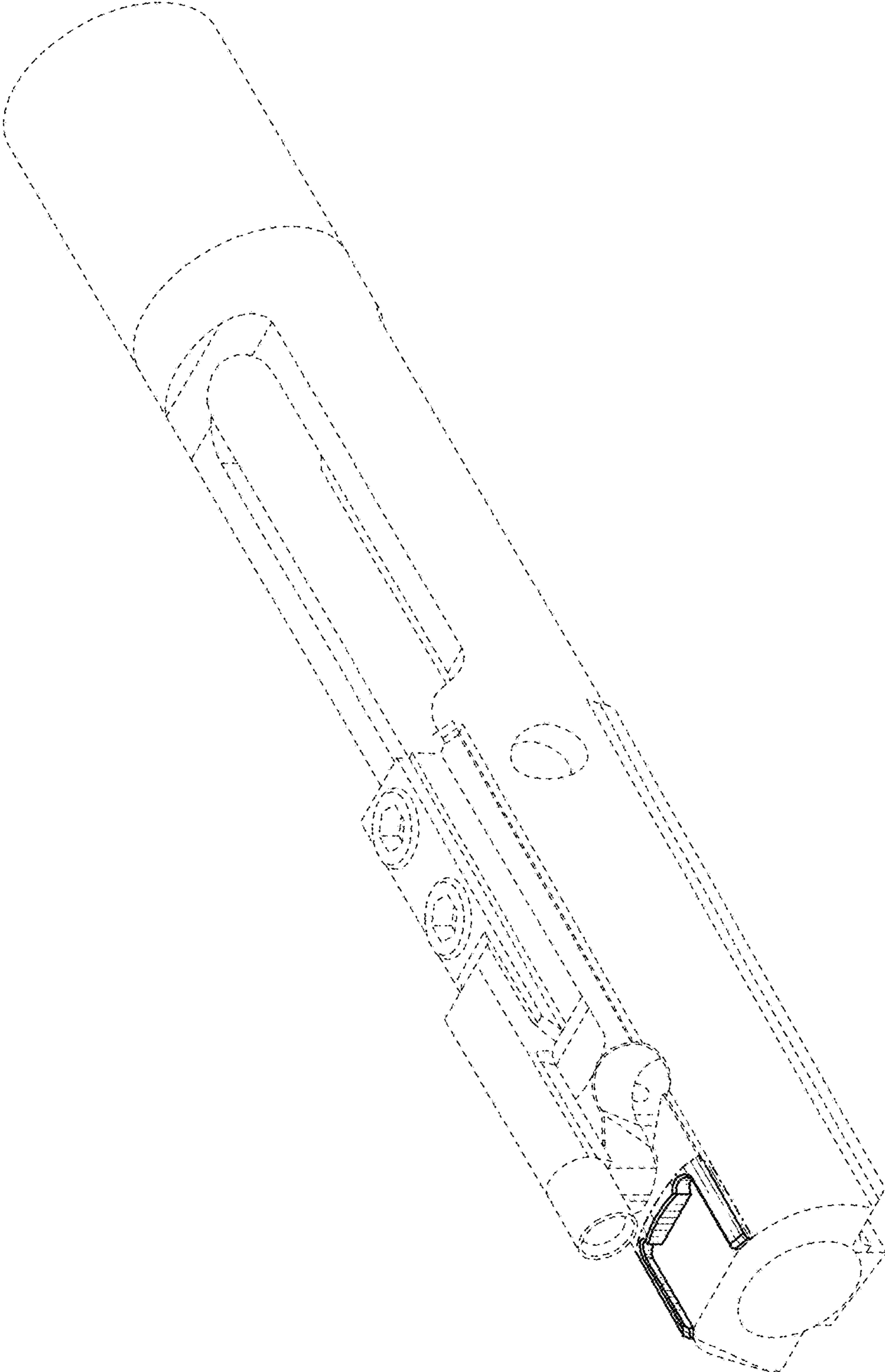


FIG. 1

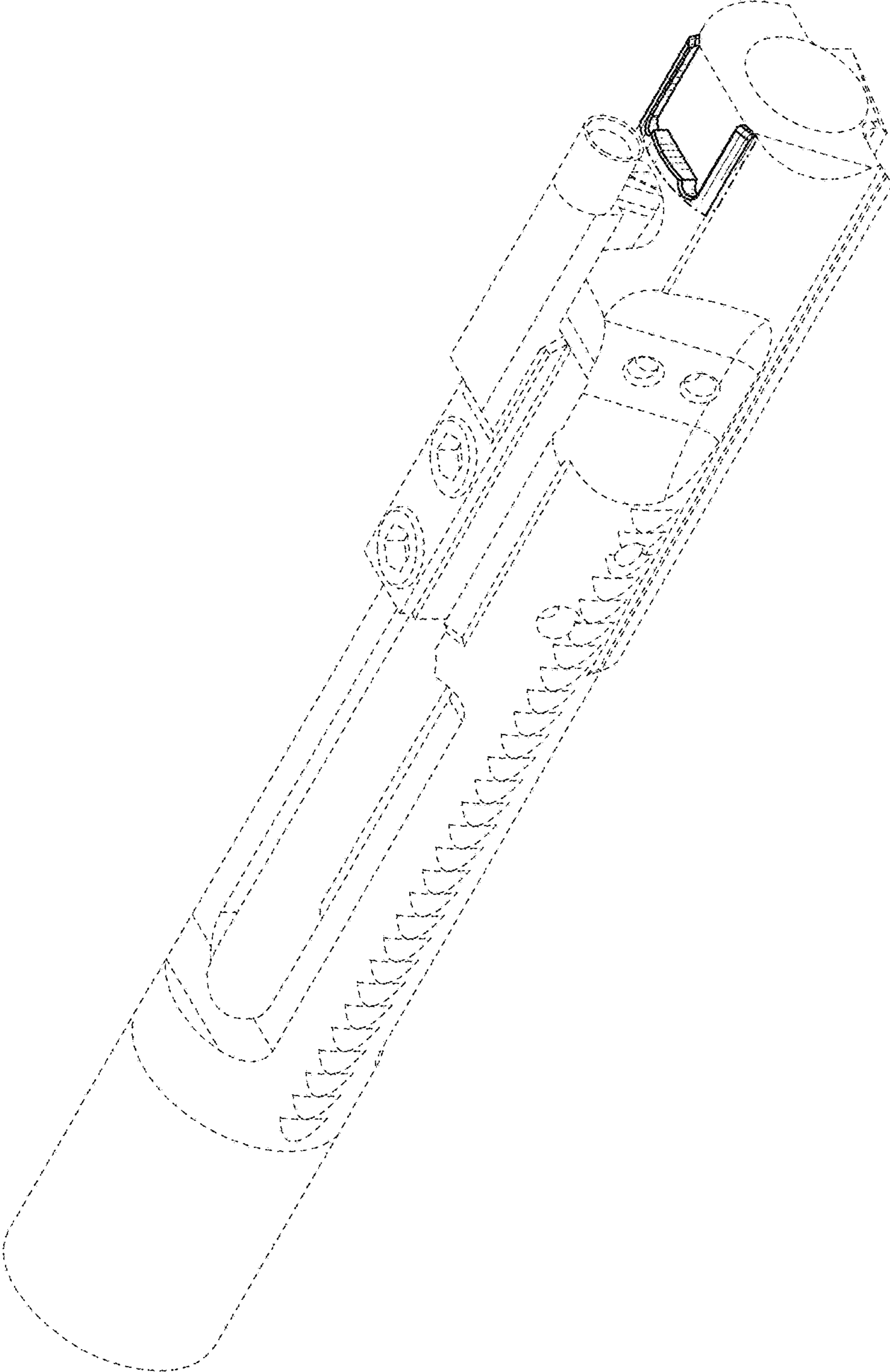


FIG. 2



FIG. 3

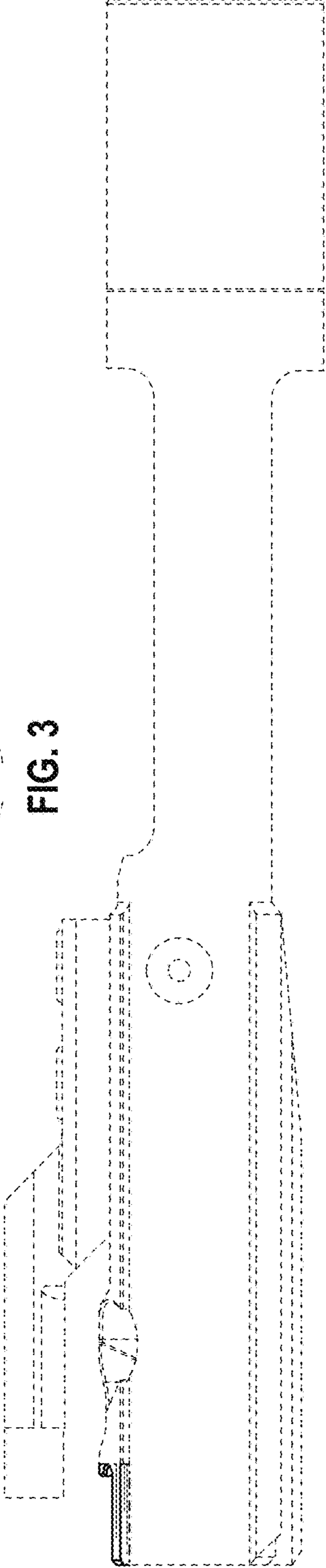


FIG. 4

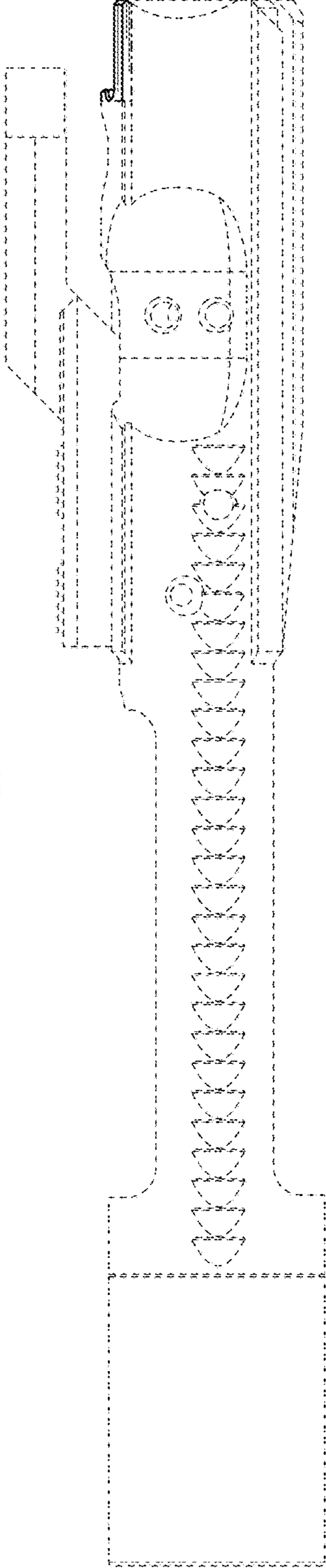


FIG. 5

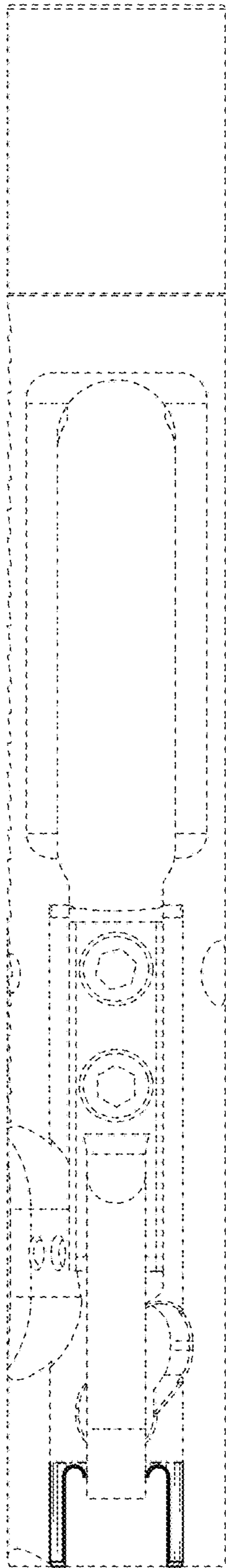


FIG. 6

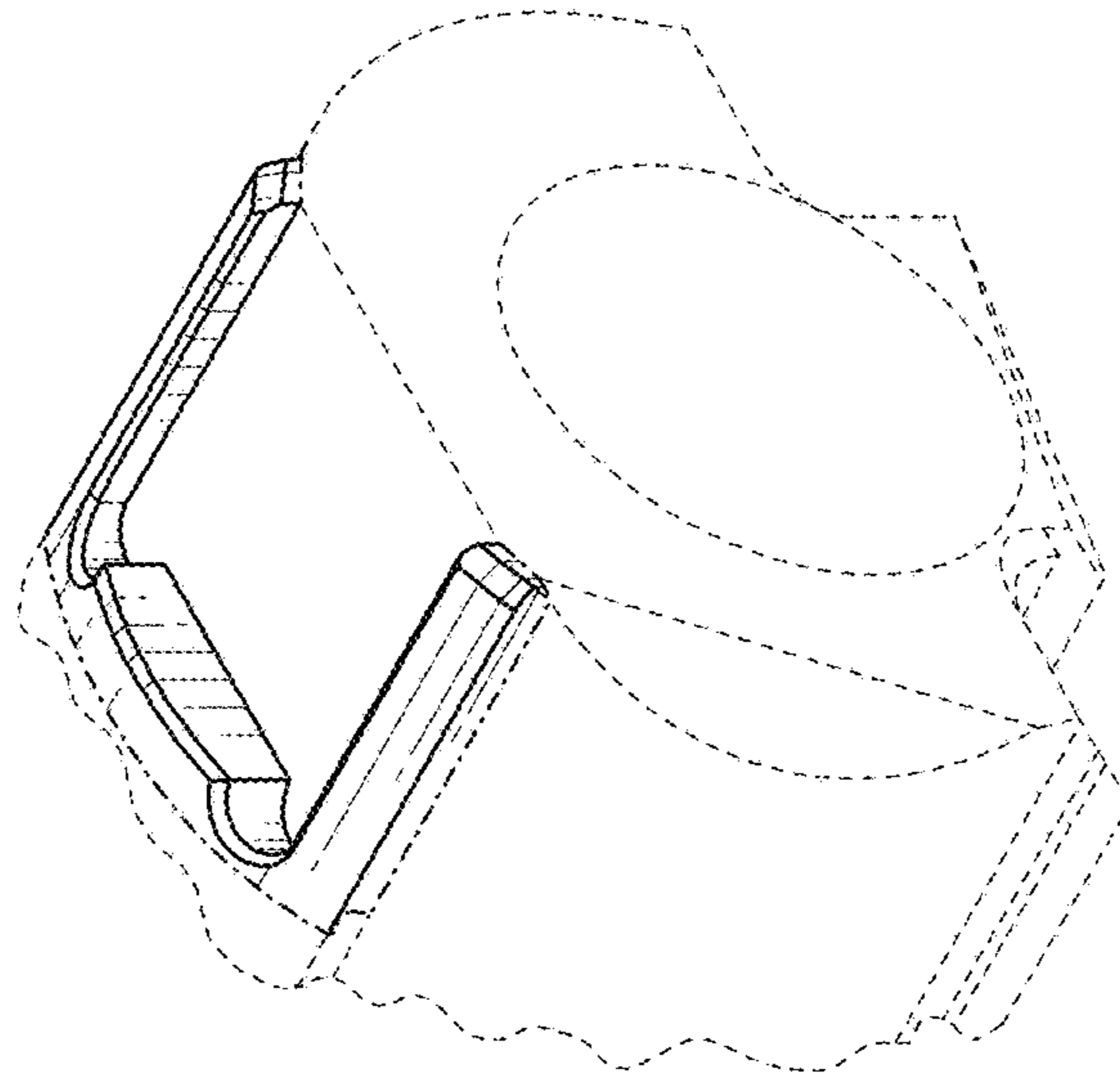


FIG. 8

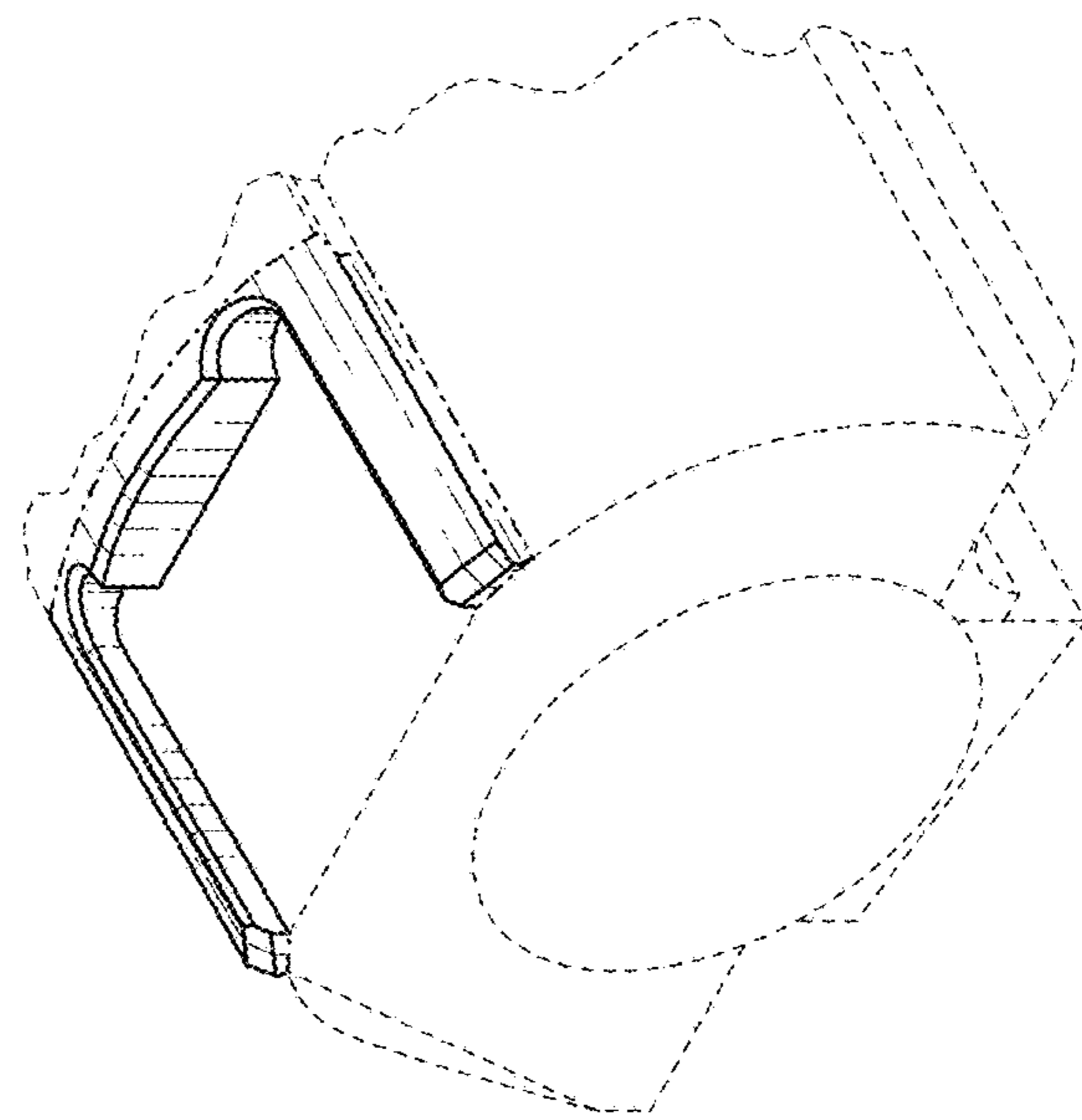


FIG. 7