



US00D803971S

(12) **United States Design Patent**
Saadon

(10) **Patent No.:** **US D803,971 S**

(45) **Date of Patent:** **** Nov. 28, 2017**

(54) **ANGLED GRIP**

2015/0233668 A1* 8/2015 Moore F41C 23/16
42/72

(71) Applicant: **FXD, LLC**, Austin, TX (US)

* cited by examiner

(72) Inventor: **Marschell B Saadon**, Round Rock, TX (US)

Primary Examiner — Susan Bennett Hattan
Assistant Examiner — S. Bryan Reinholdt, Jr.

(73) Assignee: **FXD, LLC**, Austin, TX (US)

(57) **CLAIM**

(**) Term: **15 Years**

The ornamental design for an angled grip, as shown and described.

(21) Appl. No.: **29/556,400**

DESCRIPTION

(22) Filed: **Feb. 29, 2016**

(51) **LOC (10) Cl.** **22-01**

(52) **U.S. Cl.**
USPC **D22/108**

(58) **Field of Classification Search**

USPC D22/108; 42/90, 94, 114, 117, 124, 125,
42/126, 127, 131, 146; 362/109, 110,
362/111, 112, 113, 114
CPC F41C 23/10; F41C 23/14; F41C 23/16;
F41C 23/18

See application file for complete search history.

FIG. 1 includes a perspective view of a forward lighting system.

FIG. 2 includes a first side view thereof.

FIG. 3 includes a second side view thereof.

FIG. 4 includes a front view thereof.

FIG. 5 includes a rear view thereof.

FIG. 6 includes a bottom view thereof; and,

FIG. 7 includes a perspective view of a firearm with an angled grip.

The broken lines in the figures depict portions of the angled grip that form no part of the claimed design. The broken line depiction of a rifle in FIG. 7 forms no part of the claimed design.

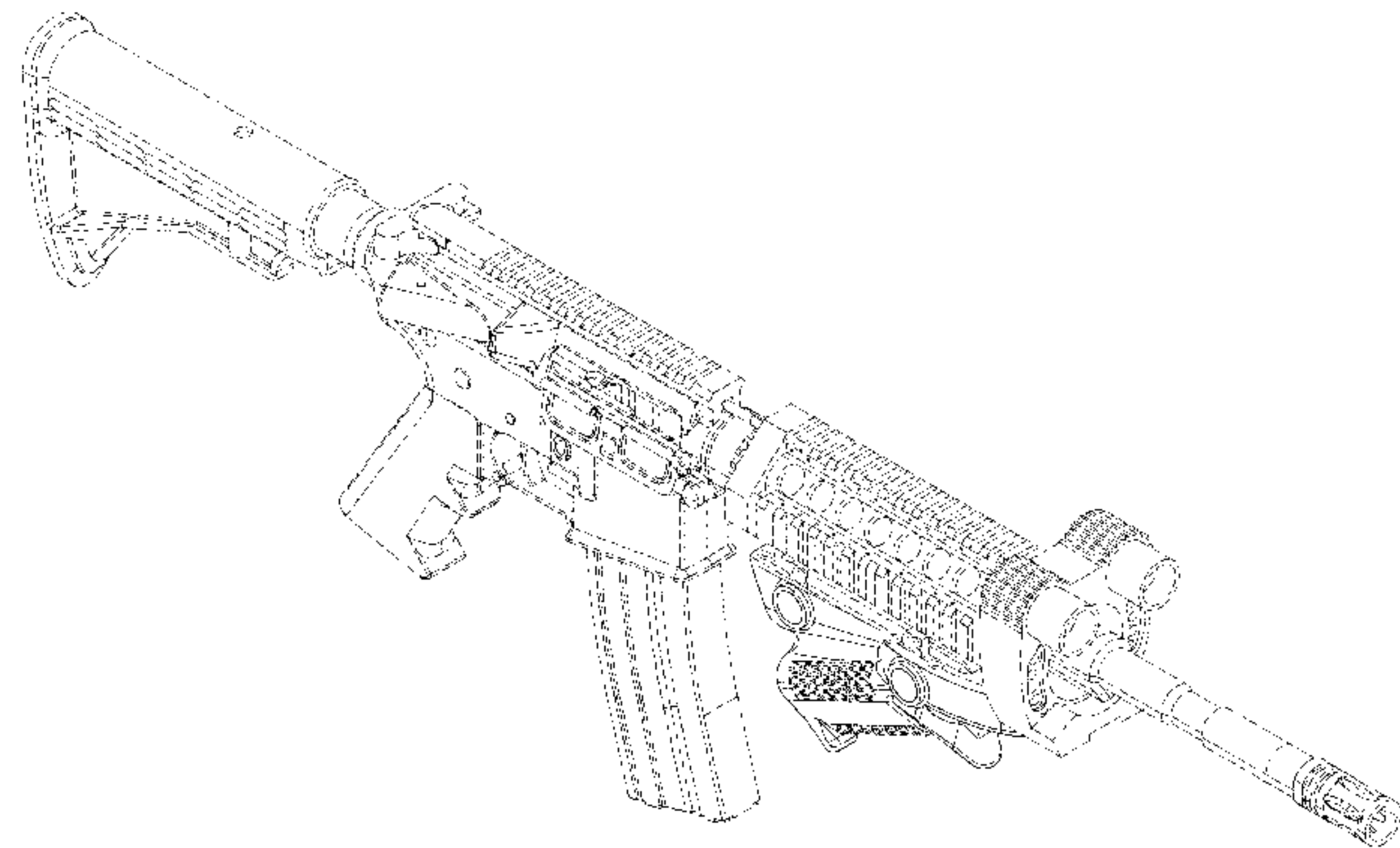
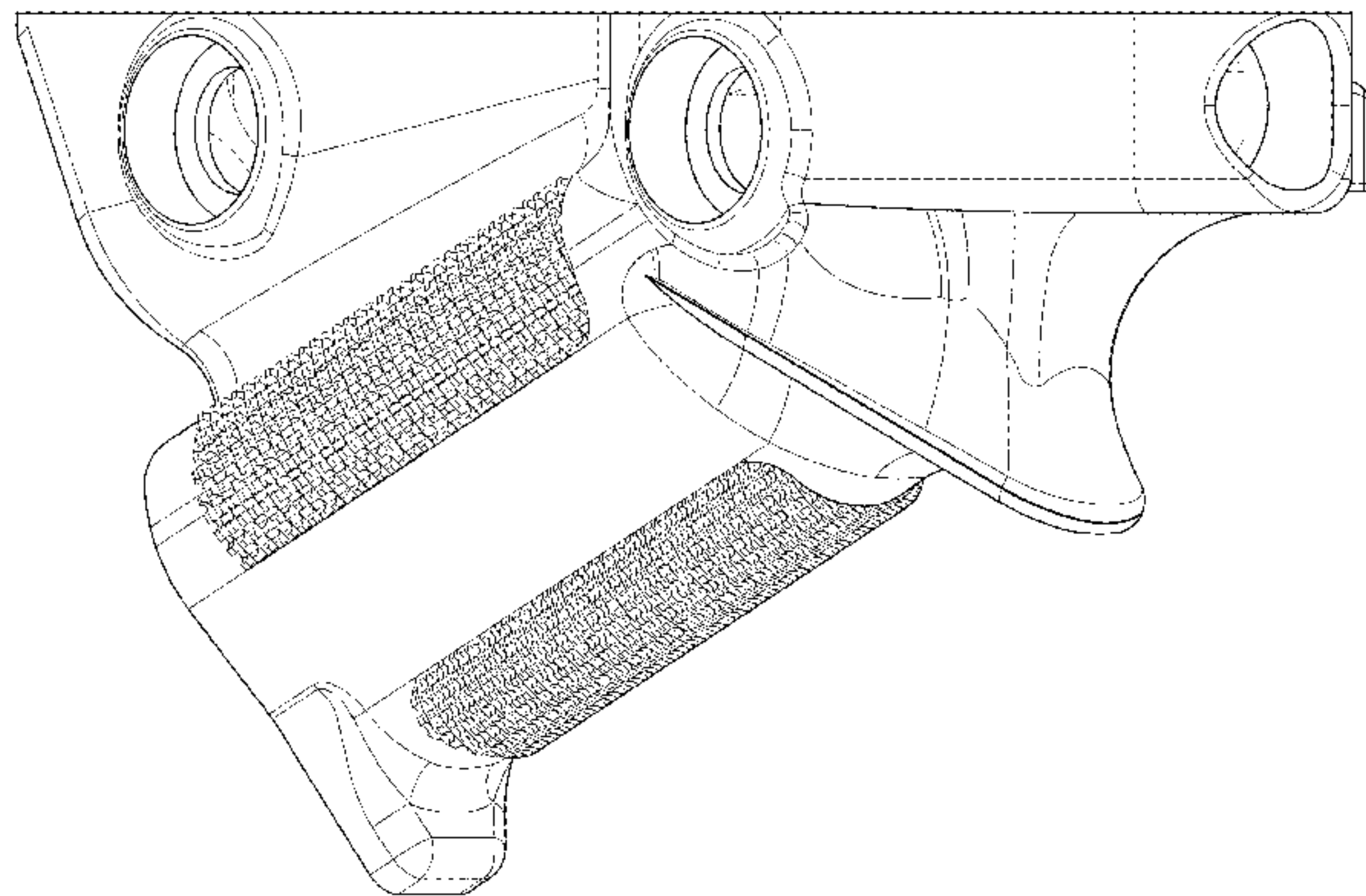
The angled grip finds use as an accessory for firearms, paintball guns, and other projectile weapons.

(56) **References Cited**

U.S. PATENT DOCUMENTS

D728,054 S * 4/2015 Webber D22/108
D745,623 S * 12/2015 Flores D22/108

1 Claim, 6 Drawing Sheets



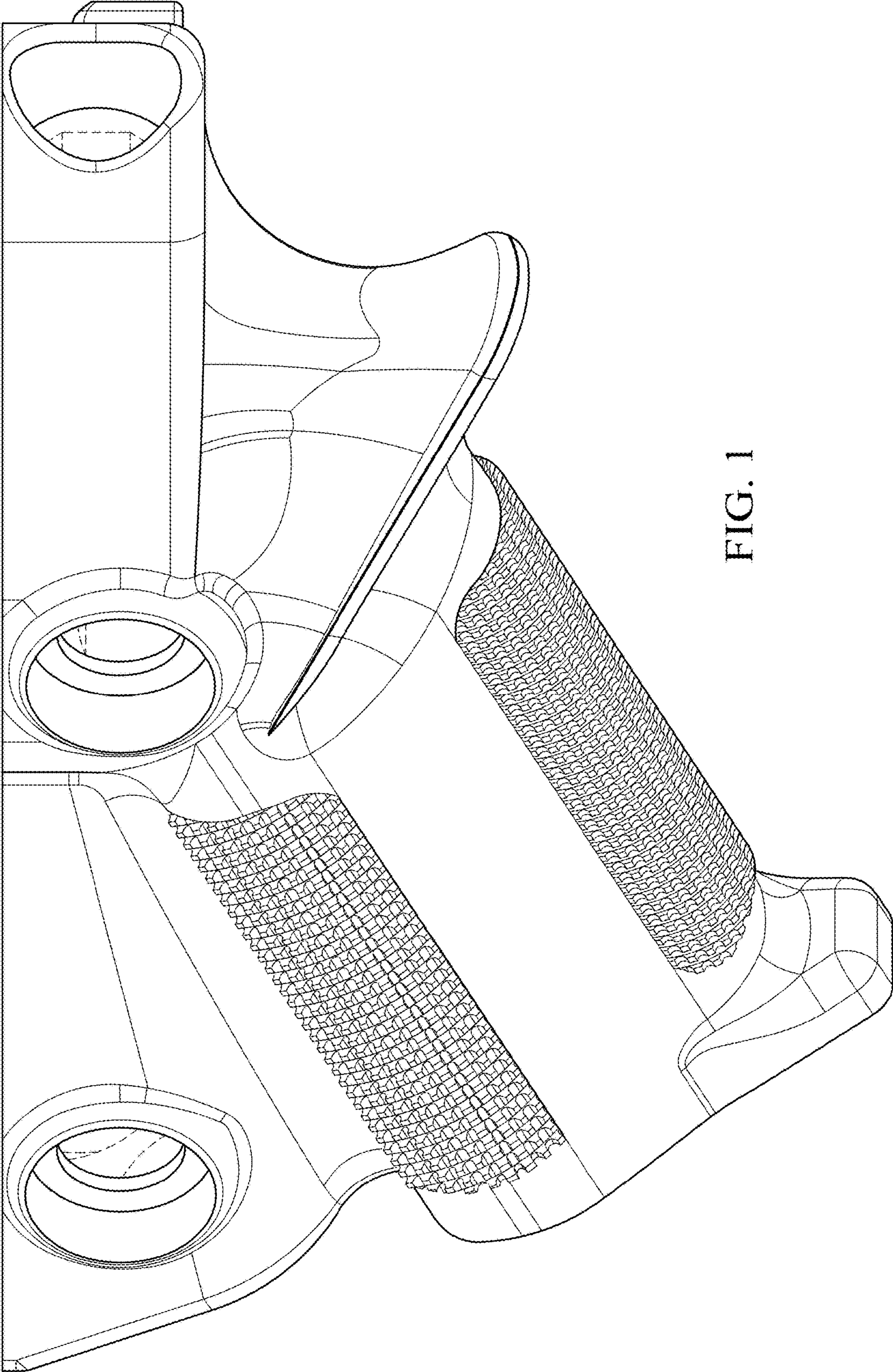


FIG. 1

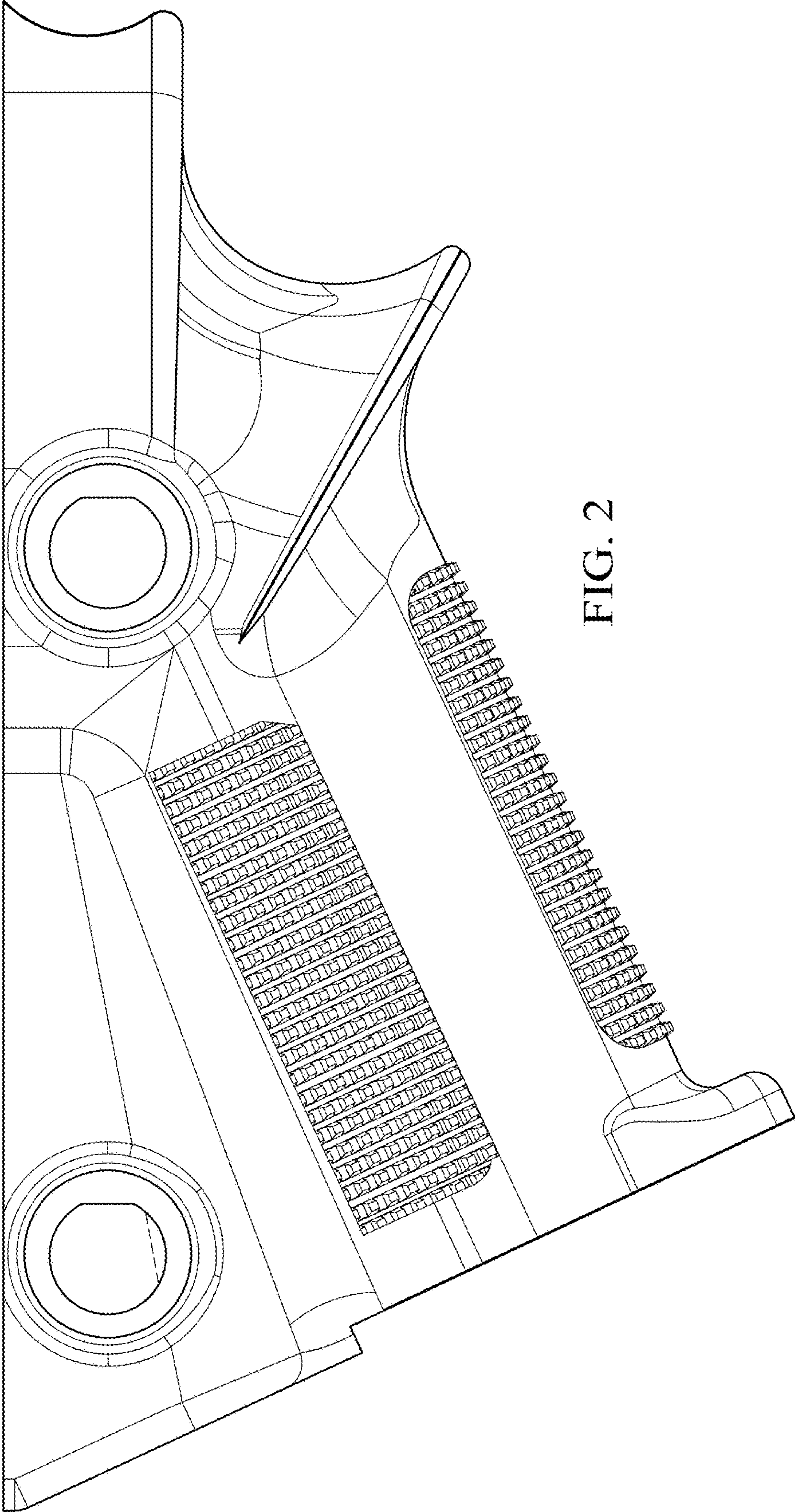


FIG. 2

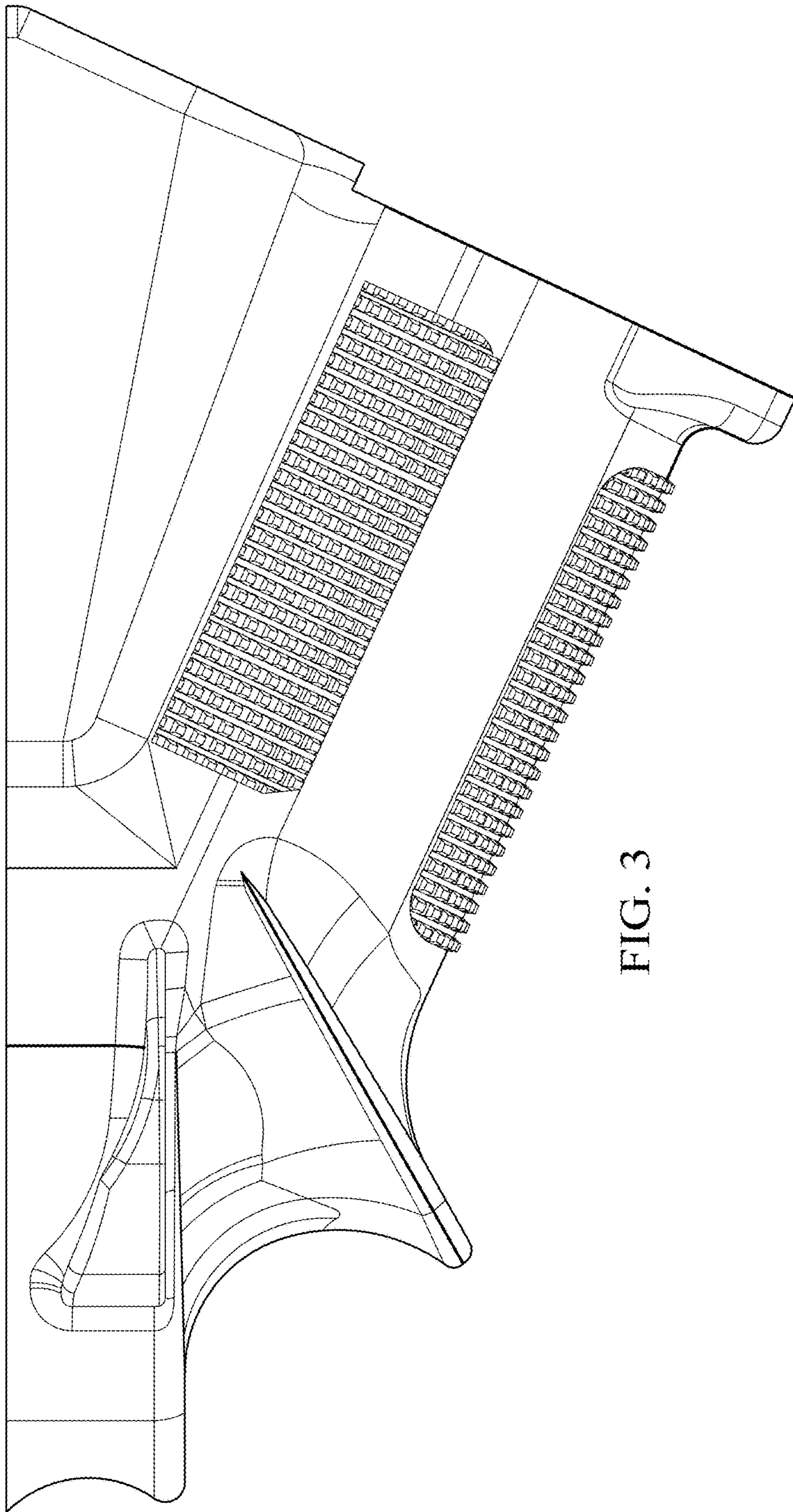


FIG. 3

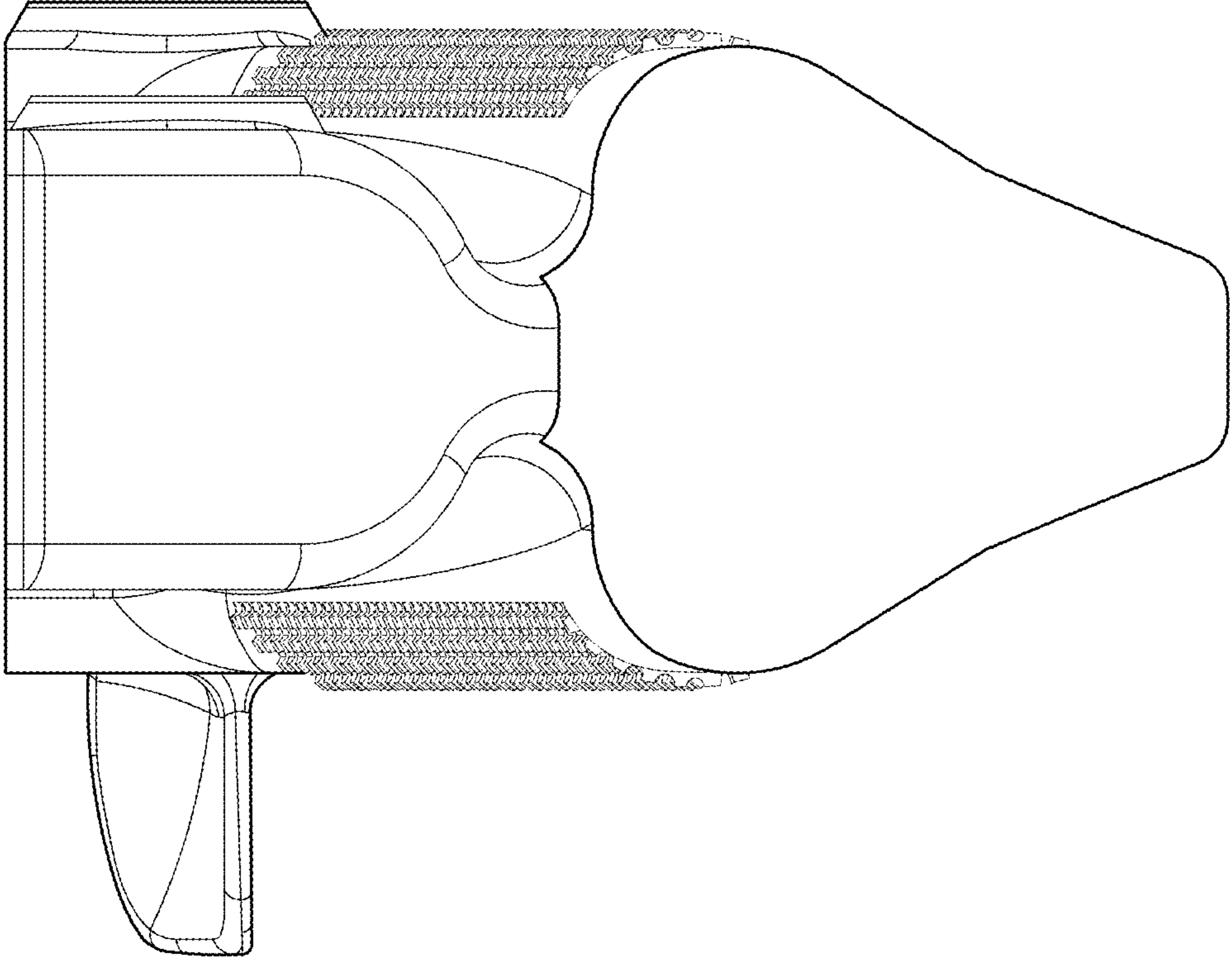


FIG. 5

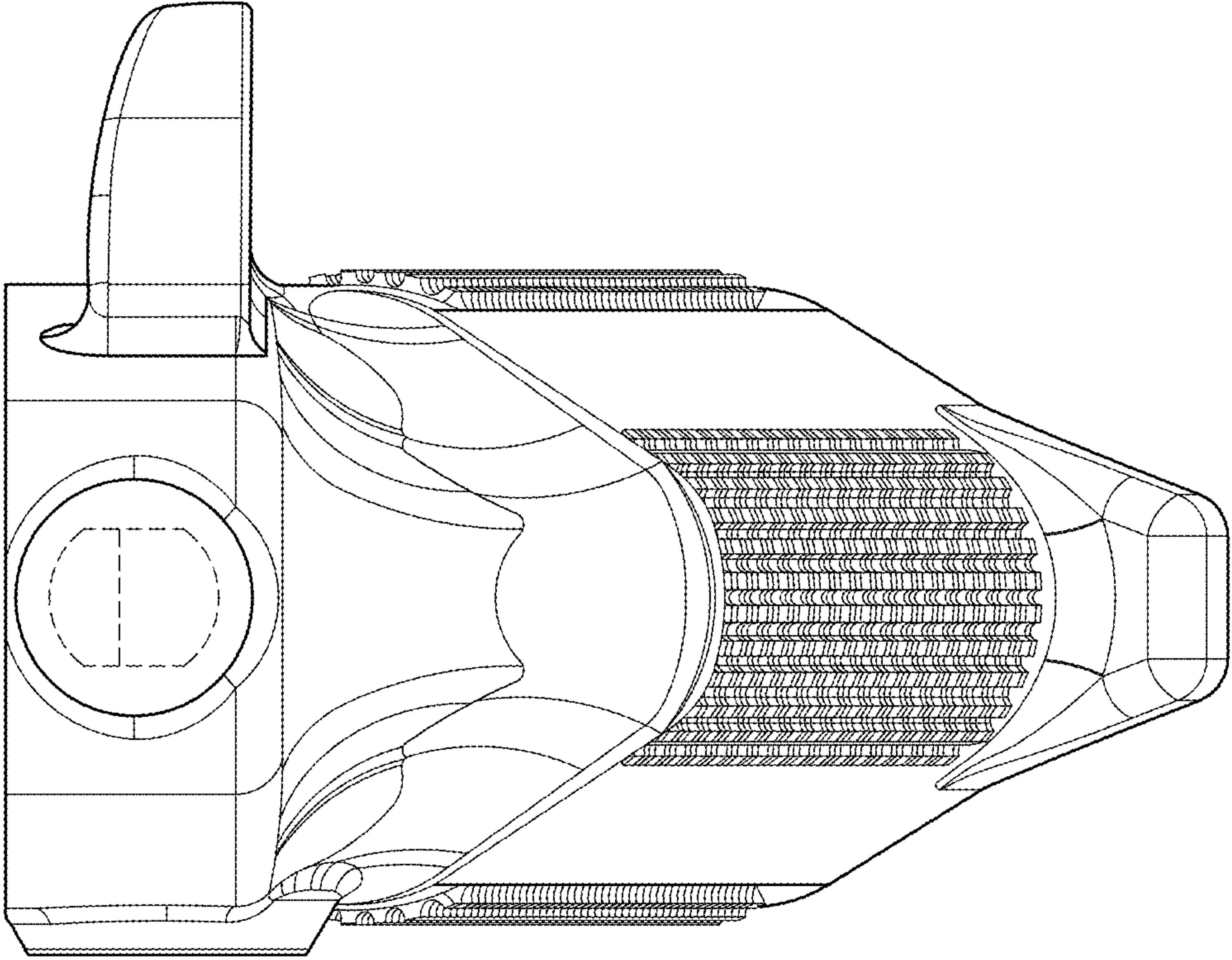


FIG. 4

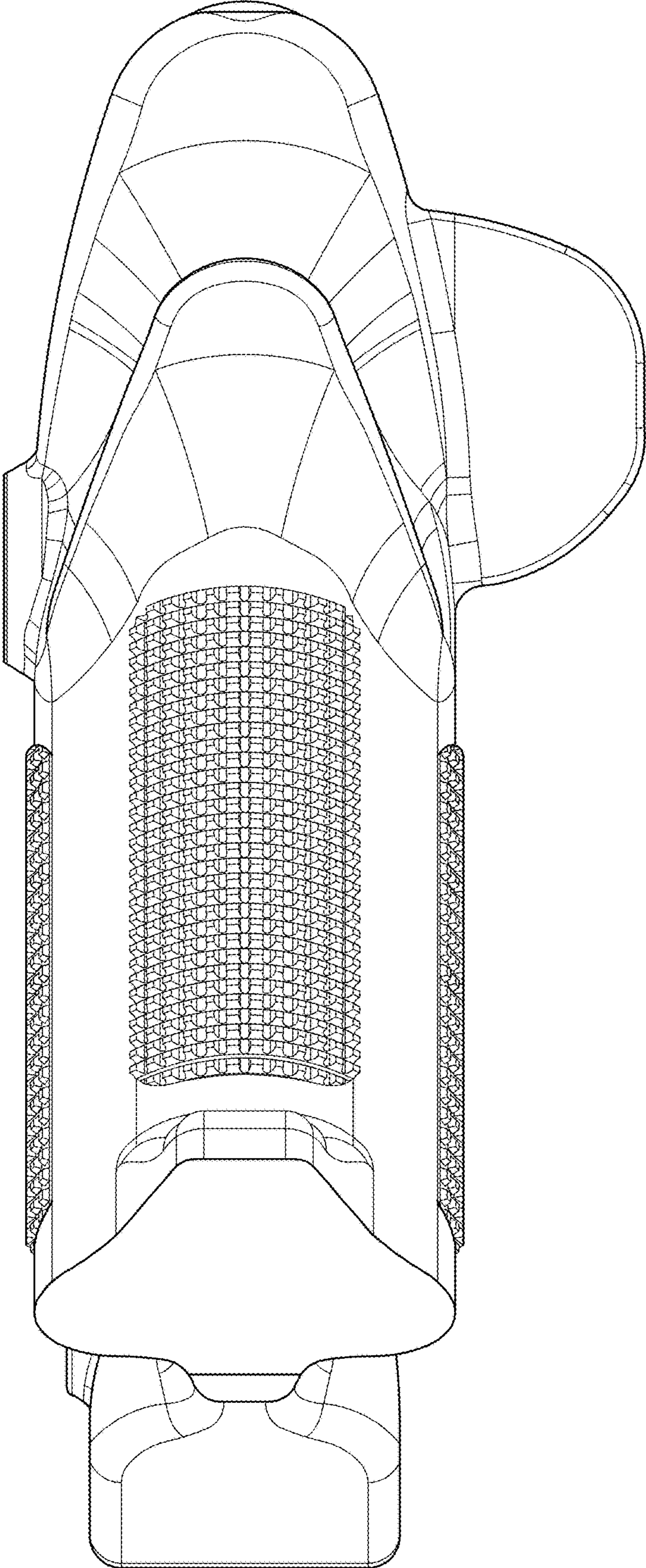


FIG. 6

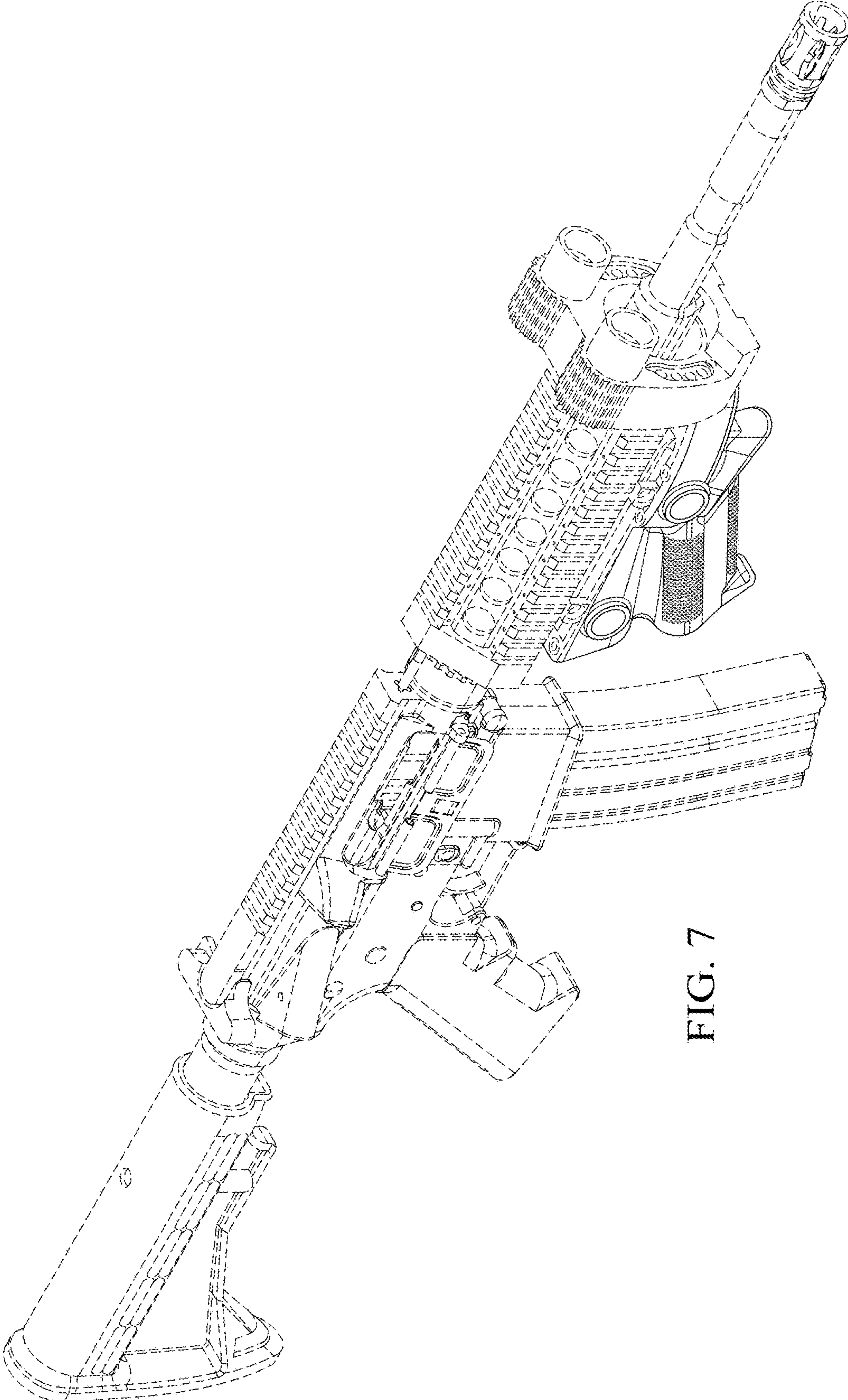


FIG. 7