



US00D803970S

(12) **United States Design Patent**
Saadon

(10) **Patent No.:** **US D803,970 S**

(45) **Date of Patent:** **** Nov. 28, 2017**

- (54) **FORWARD LIGHTING SYSTEM**
- (71) Applicant: **FXD, LLC**, Austin, TX (US)
- (72) Inventor: **Marschell B Saadon**, Round Rock, TX (US)
- (73) Assignee: **FXD, LLC**, Austin, TX (US)
- (**) Term: **15 Years**
- (21) Appl. No.: **29/556,397**
- (22) Filed: **Feb. 29, 2016**
- (51) **LOC (10) Cl.** **22-01**
- (52) **U.S. Cl.**
USPC **D22/108**
- (58) **Field of Classification Search**
USPC D26/24-27, 38, 40, 42, 46-47, 51, 60,
D26/113, 118, 130-133, 136
CPC F41G 1/35; F41G 1/345
See application file for complete search history.

(56) **References Cited**

U.S. PATENT DOCUMENTS

- D406,632 S * 3/1999 Edgar D22/108
- D413,646 S * 9/1999 Edgar D22/108
- D707,784 S * 6/2014 Cragie D22/108

- 2015/0345903 A1* 12/2015 Moore F41G 1/35
42/114
- 2016/0209169 A1* 7/2016 Toole F41G 1/35
- 2016/0298929 A1* 10/2016 Hancosky F41G 1/35

* cited by examiner

Primary Examiner — Michael A Pratt

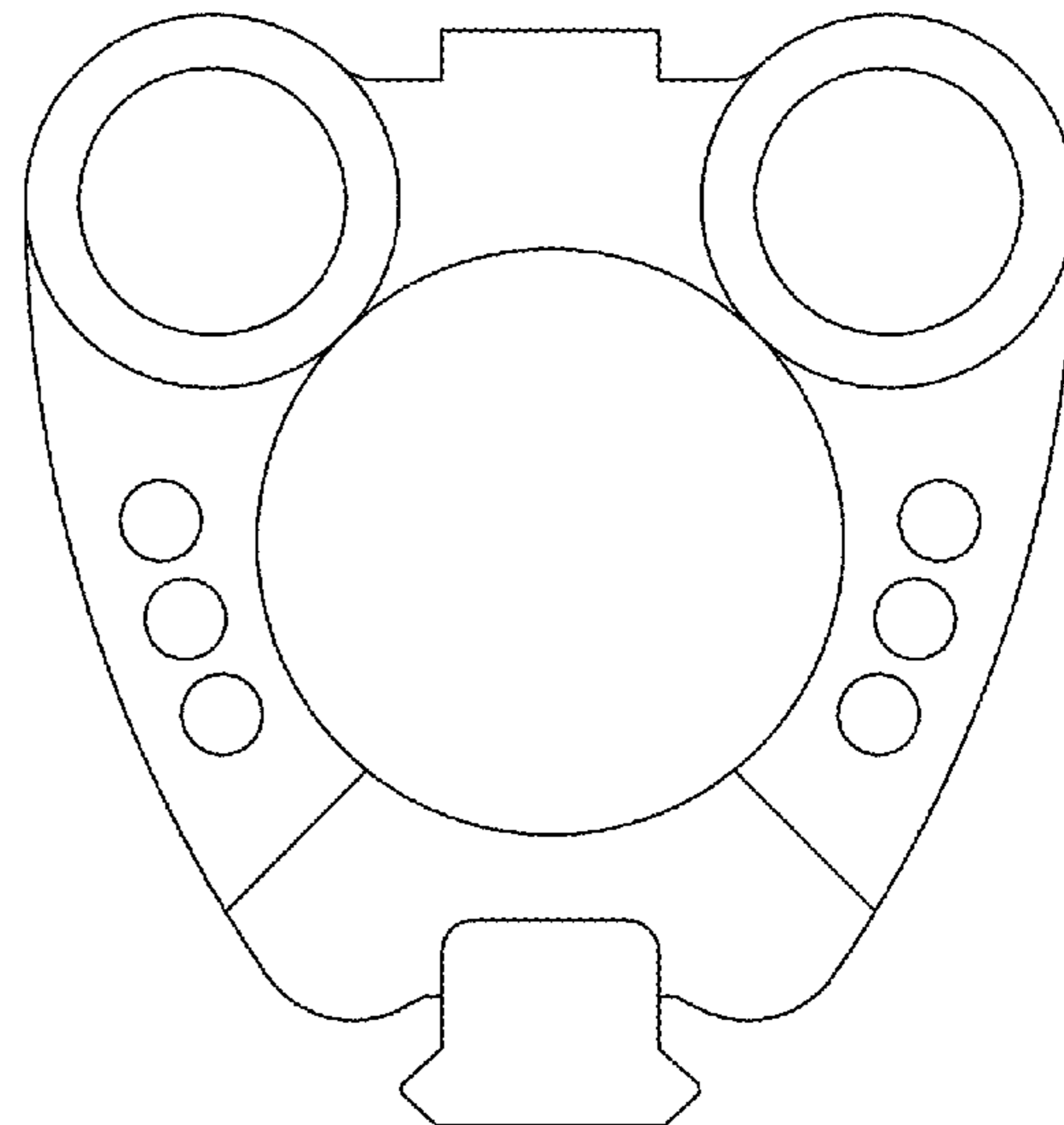
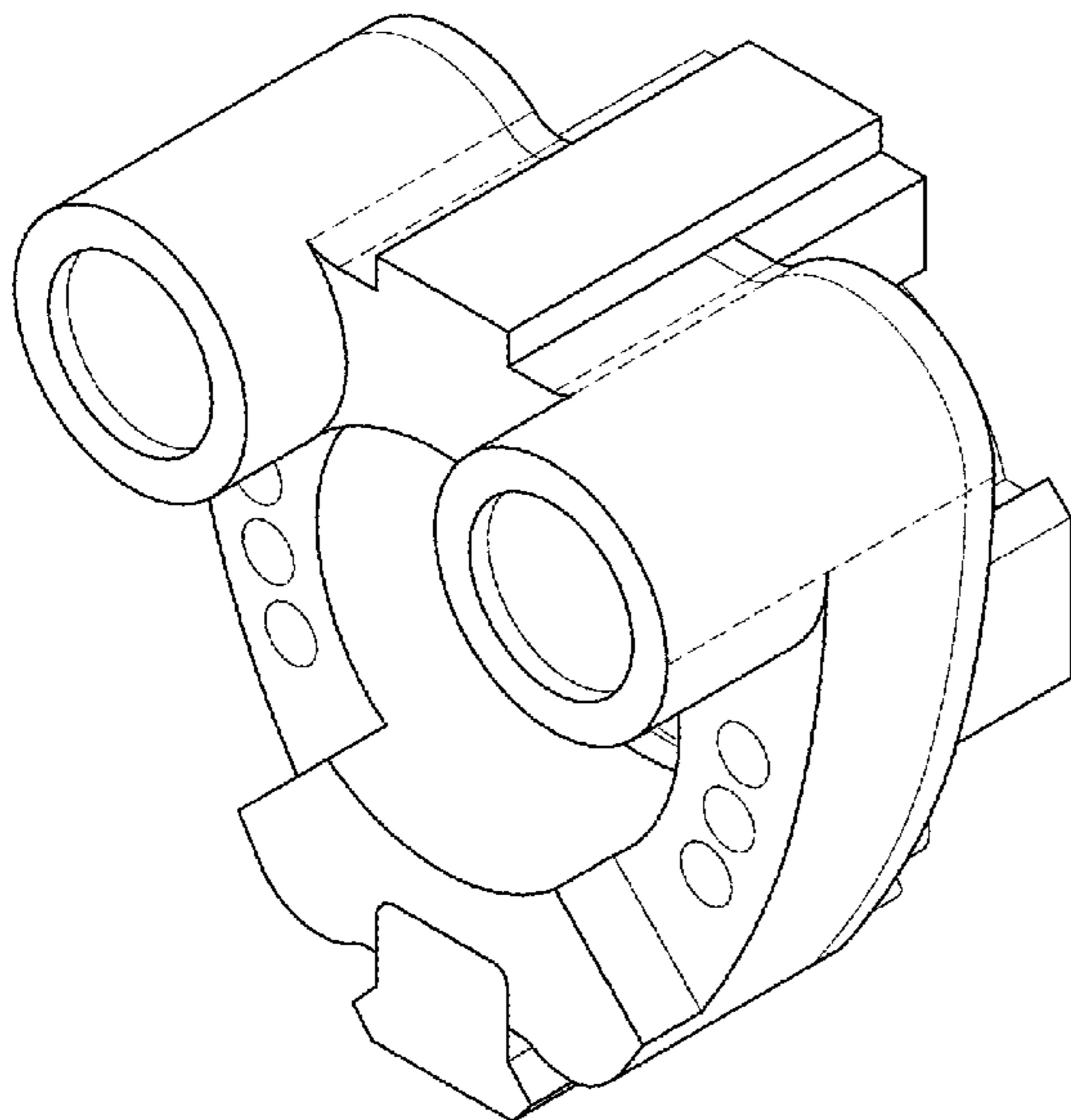
(57) **CLAIM**

The ornamental design for a forward lighting system, as shown and described.

DESCRIPTION

FIG. 1 includes a perspective view of a forward lighting system.
 FIG. 2 includes a front view thereof.
 FIG. 3 includes a back view thereof.
 FIG. 4 includes a side view thereof.
 FIG. 5 includes a bottom view thereof.
 FIG. 6 includes a top view thereof; and,
 FIG. 7 includes a perspective view of a firearm with a forward lighting system.
 The broken lines in the figures depict portions of the forward lighting system that form no part of the claimed design. The broken line depiction of a rifle in FIG. 7 forms no part of the claimed design.

1 Claim, 4 Drawing Sheets



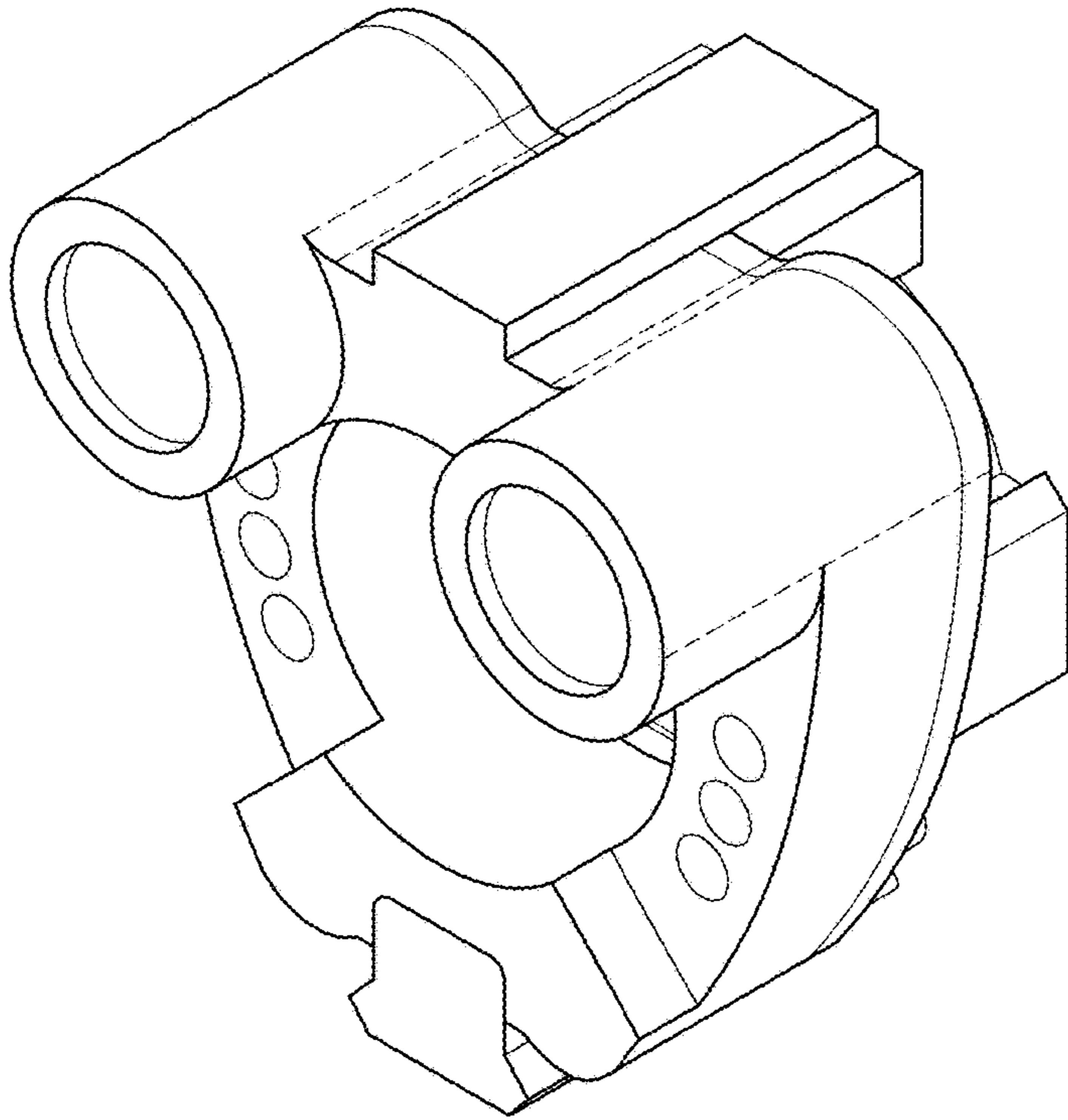


FIG. 1

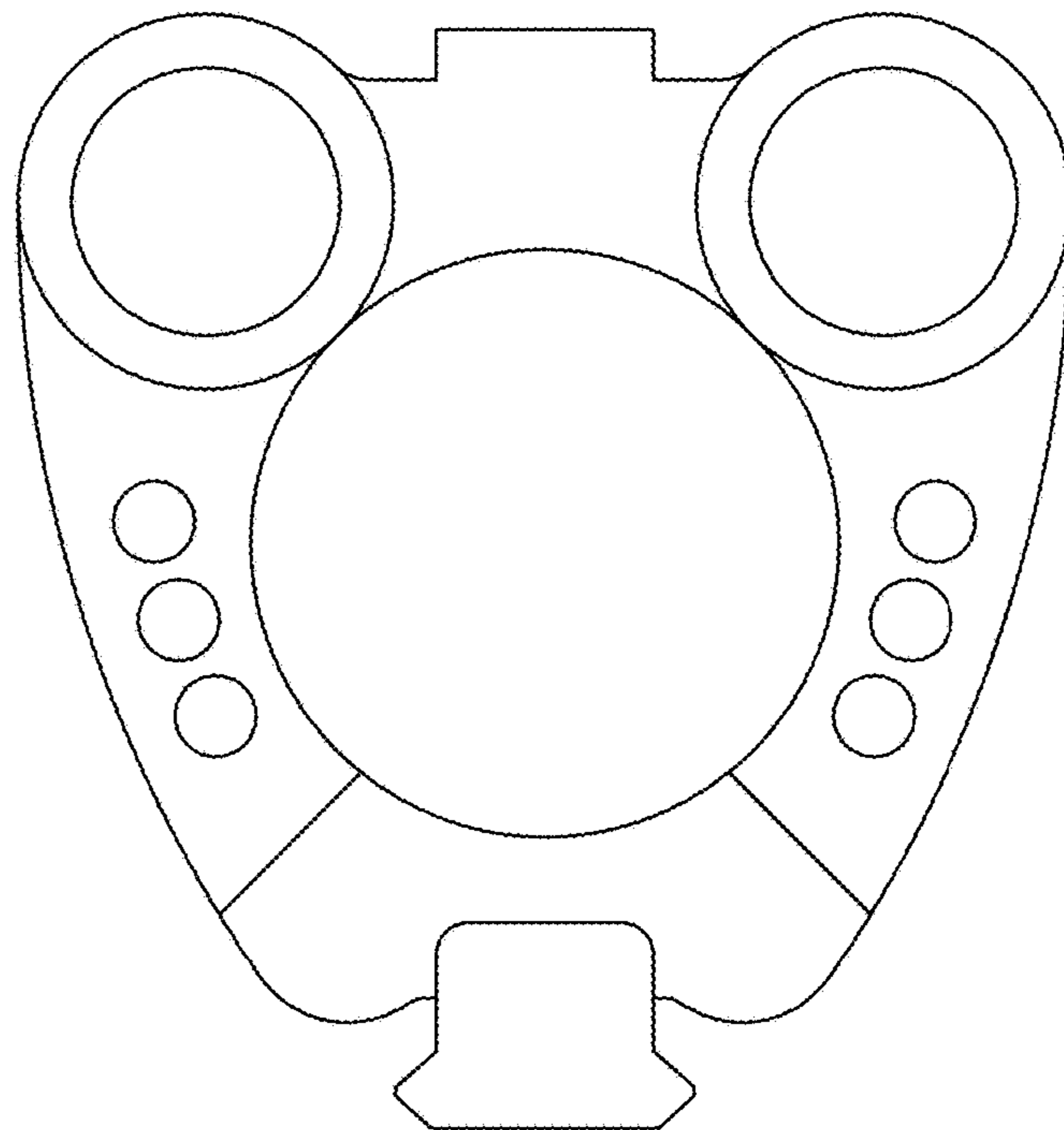


FIG. 2

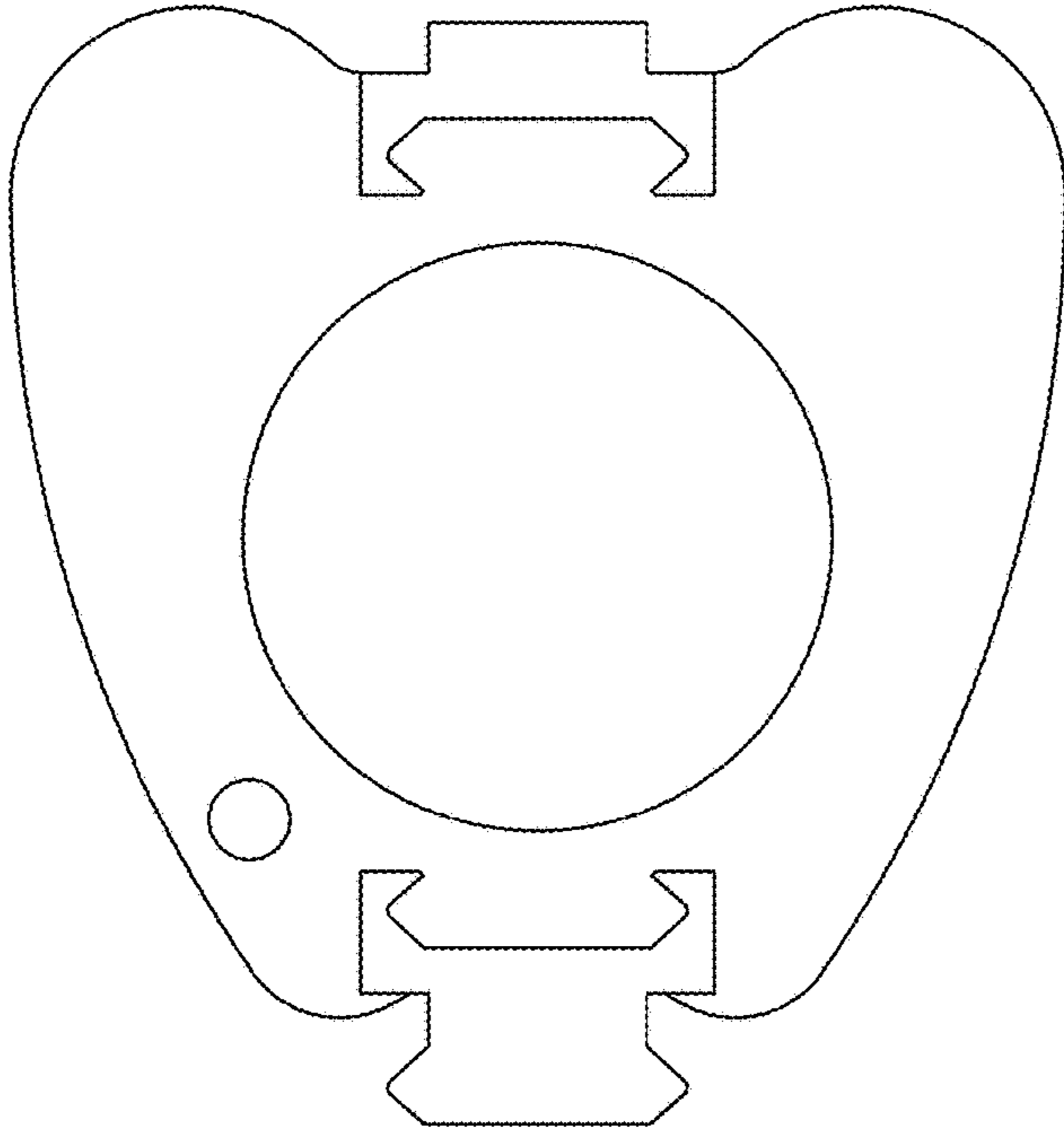


FIG. 3

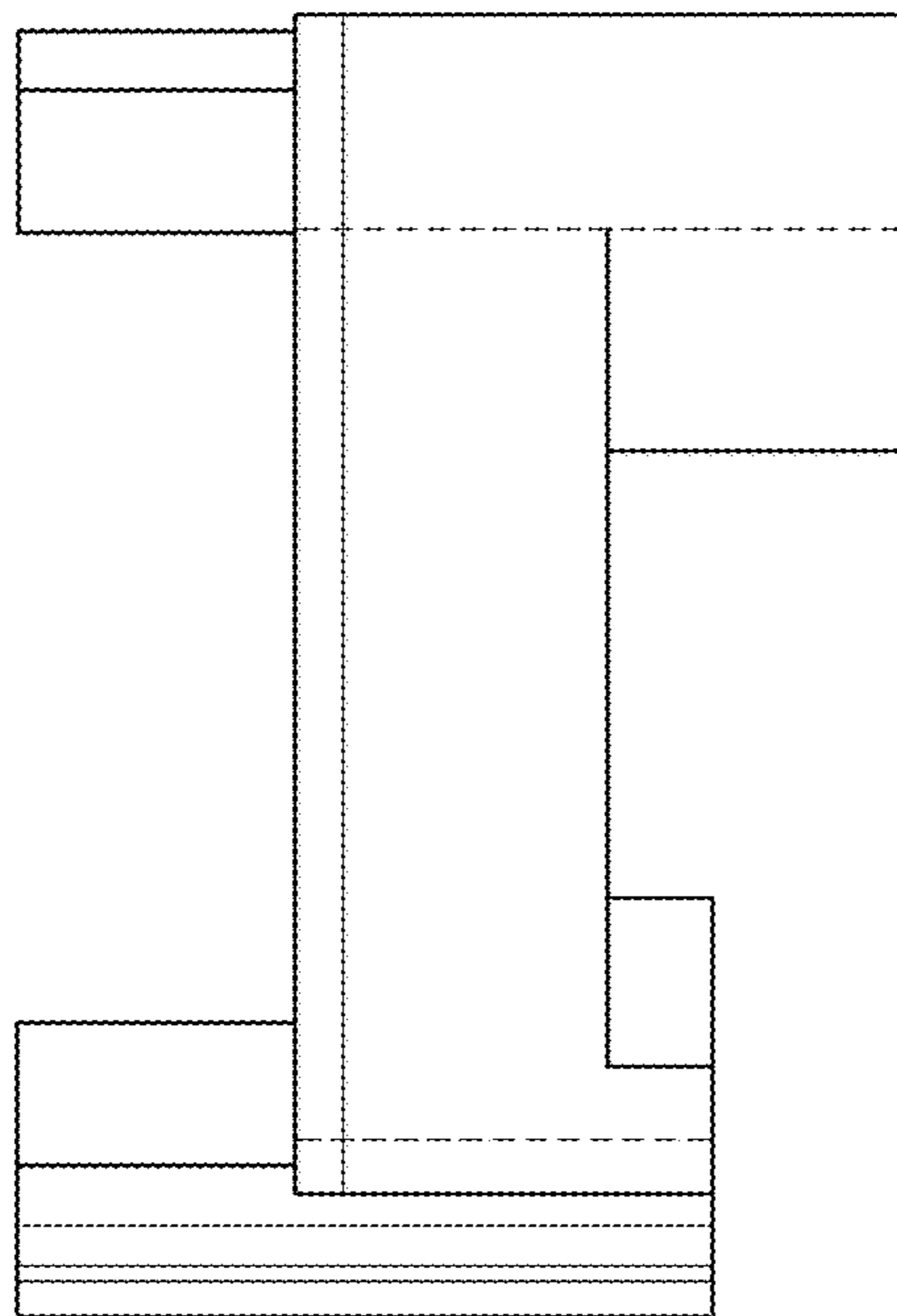


FIG. 4

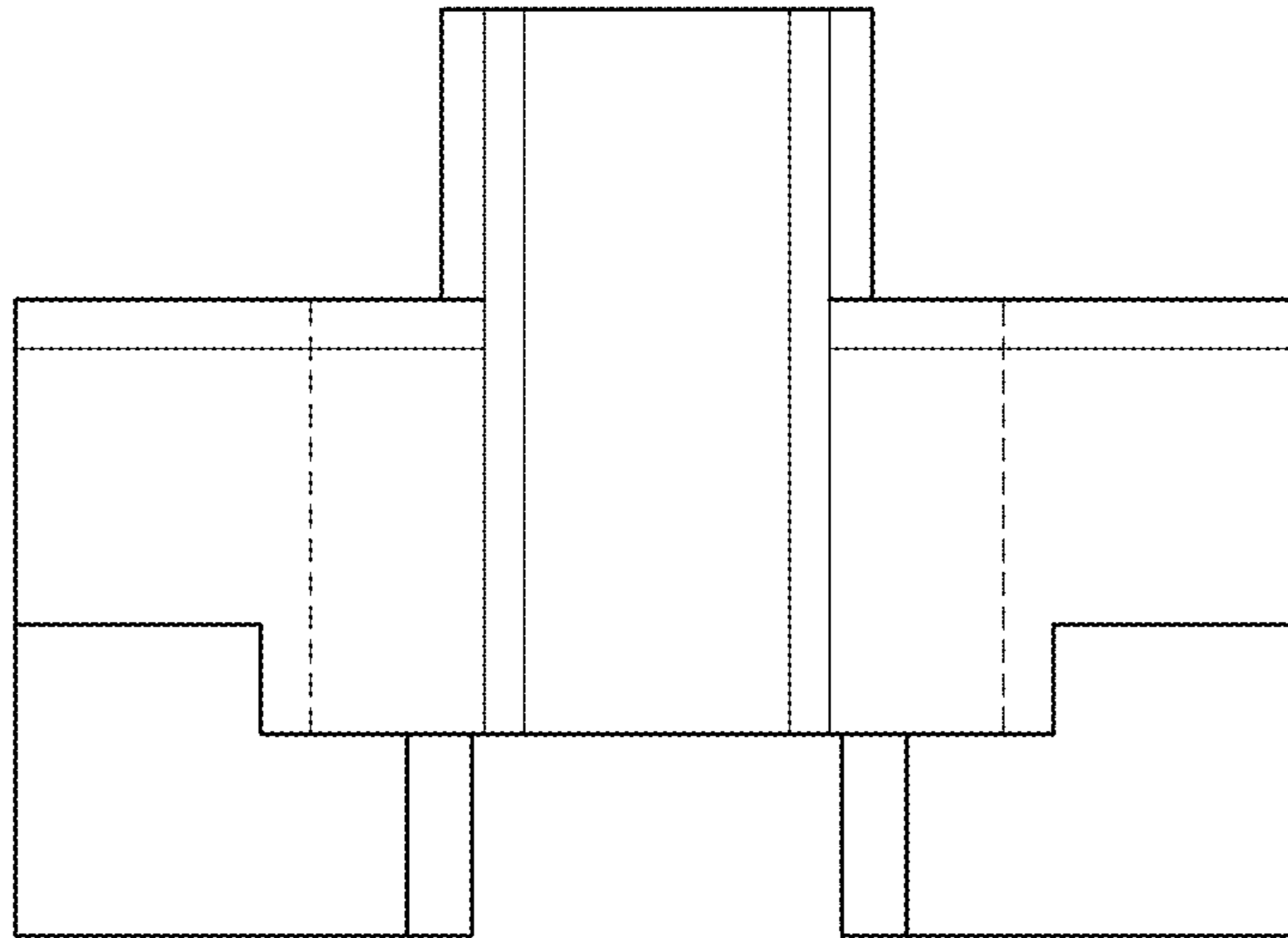


FIG. 5

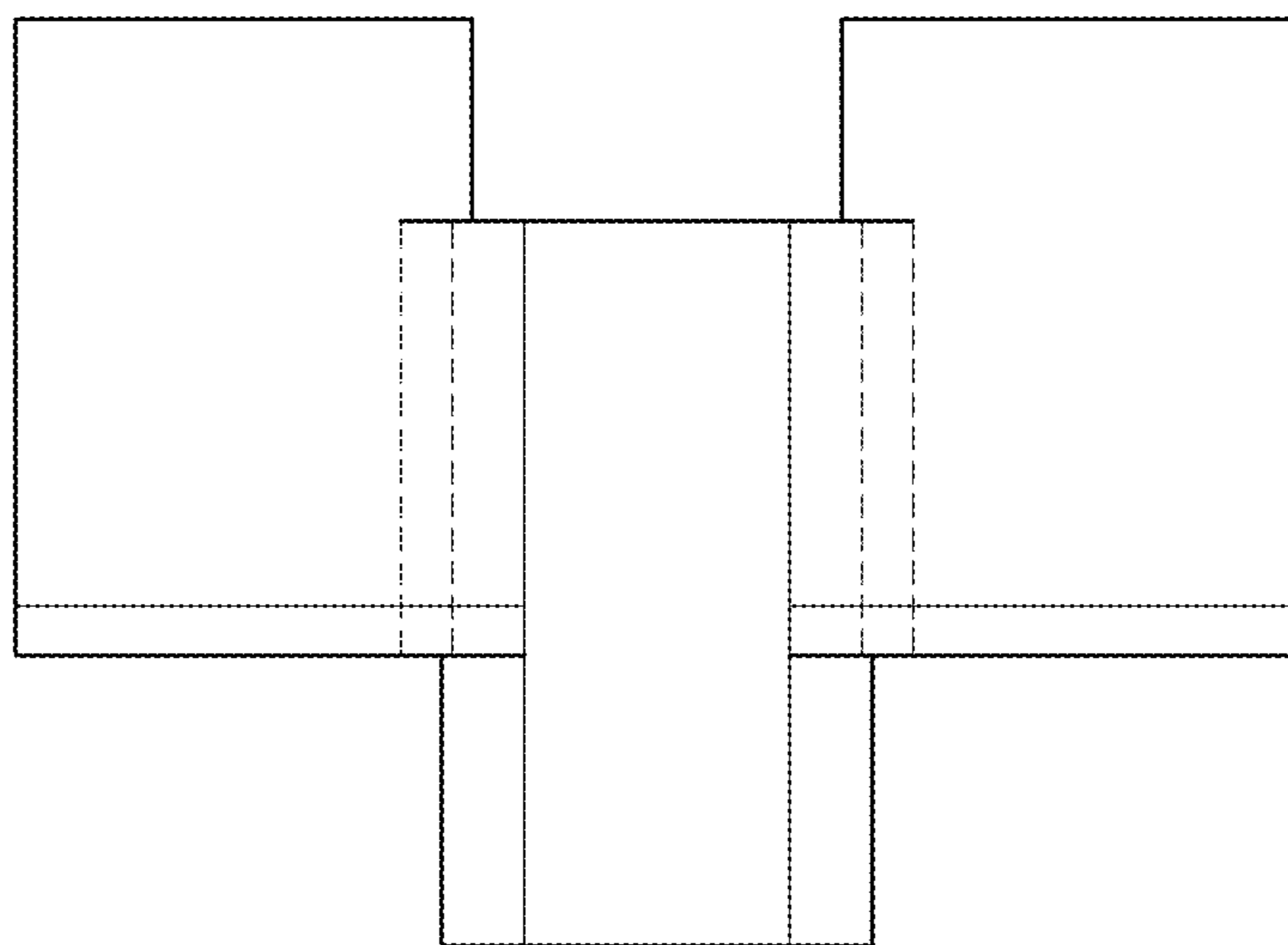


FIG. 6

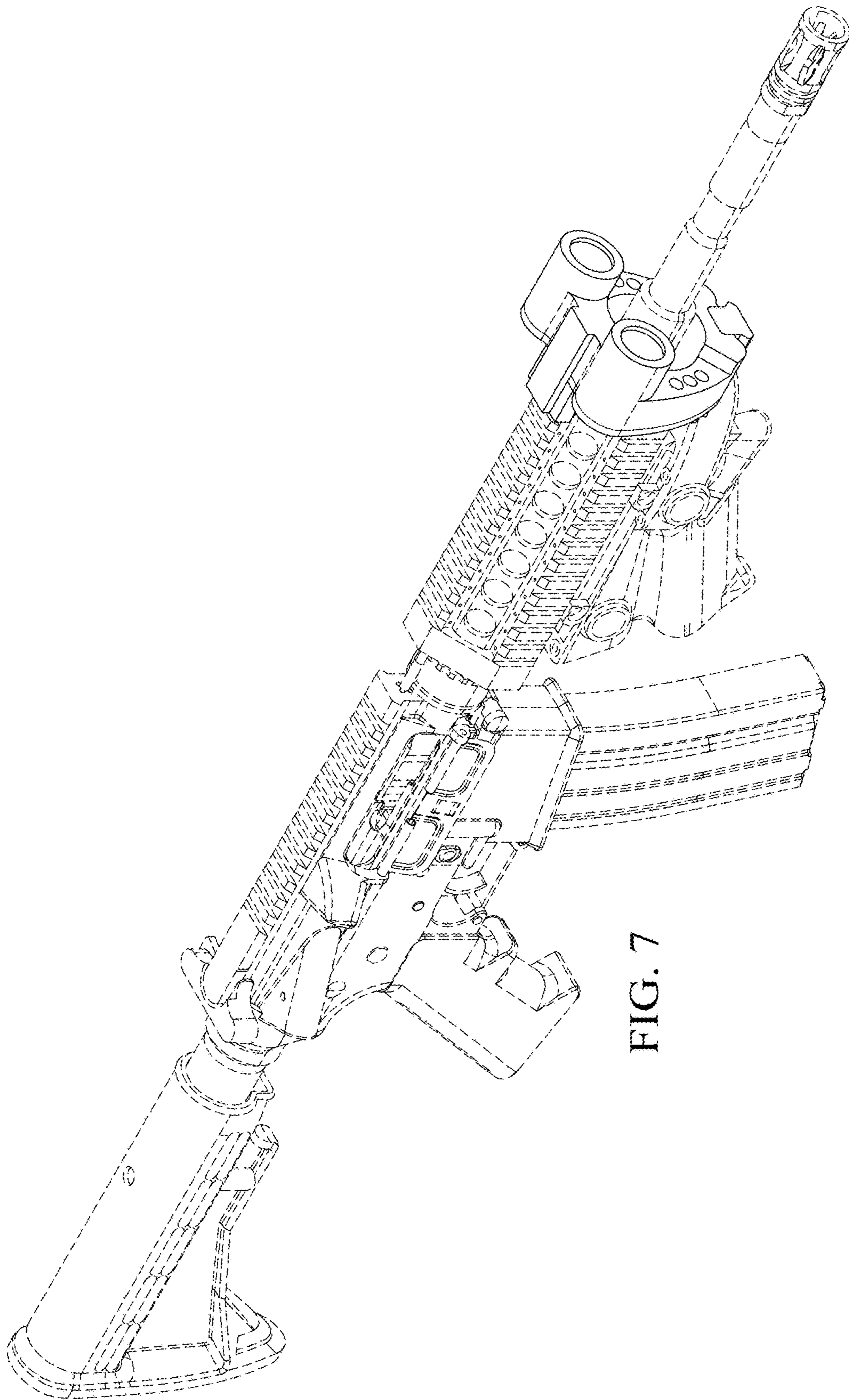


FIG. 7