

US00D803969S

(12) **United States Design Patent** (10) **Patent No.:** **US D803,969 S**
Saadon (45) **Date of Patent:** **** Nov. 28, 2017**

(54) **ANGLED GRIP**

(71) Applicant: **FXD, LLC**, Austin, TX (US)
(72) Inventor: **Marschell B Saadon**, Round Rock, TX (US)

(73) Assignee: **FXD, LLC**, Austin, TX (US)

(**) Term: **15 Years**

(21) Appl. No.: **29/556,378**

(22) Filed: **Feb. 29, 2016**

(51) **LOC (10) Cl.** **D22-01**

(52) **U.S. Cl.**
USPC **D22/108**

(58) **Field of Classification Search**
USPC D22/108; 362/109–114; 42/90, 94, 114,
42/117, 124–127, 131, 146
CPC F41C 23/10; F41C 23/14; F41C 23/16;
F41C 23/18
See application file for complete search history.

(56) **References Cited**

U.S. PATENT DOCUMENTS

7,055,749	B2 *	6/2006	Wulff	G06F 3/0202 235/462.45
D643,497	S *	8/2011	Fitzpatrick	D22/108
D665,043	S *	8/2012	Fitzpatrick	D22/108
D693,424	S *	11/2013	Wristen	D22/108
D698,405	S *	1/2014	Kline	D22/108
D698,885	S *	2/2014	Faifer	D22/108
D728,054	S *	4/2015	Webber	D22/108
9,010,008	B2 *	4/2015	Hovey	F41C 23/16 42/72
D745,623	S *	12/2015	Flores	D22/108
D745,629	S *	12/2015	Barfoot	D22/108
D745,940	S *	12/2015	Flores	D22/108
2008/0010890	A1 *	1/2008	Vice	F41C 23/16 42/72
2015/0233668	A1 *	8/2015	Moore	F41C 23/16 42/72

(Continued)

OTHER PUBLICATIONS

Force Ex Design, WASP, Publication Date Unknown, [site visited Jan. 4, 2017], Available on the Internet URL: <http://forcexdesign.com/product/wasp/>.*

(Continued)

Primary Examiner — Susan Bennett Hattan
Assistant Examiner — S. Bryan Reinholdt, Jr.

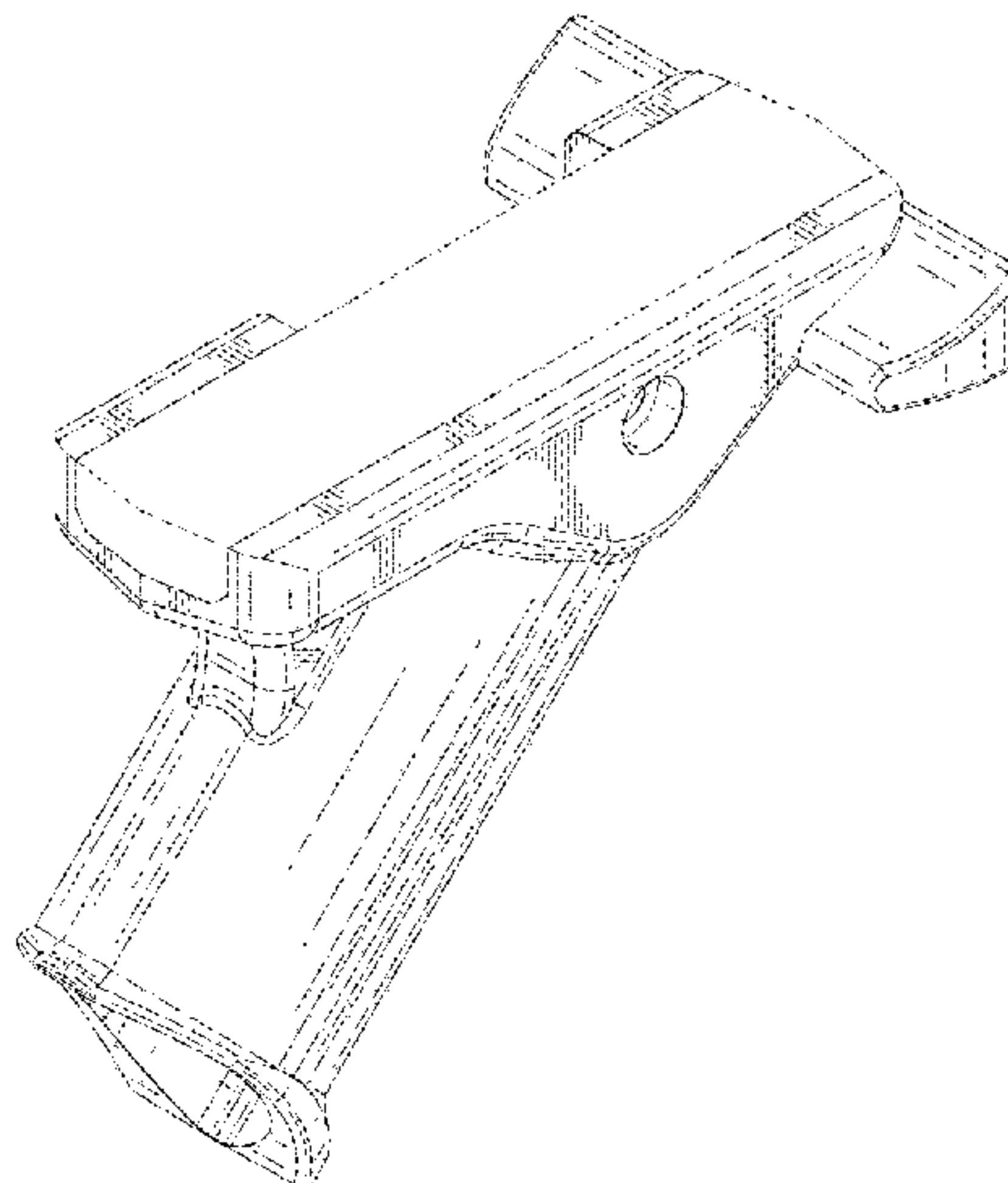
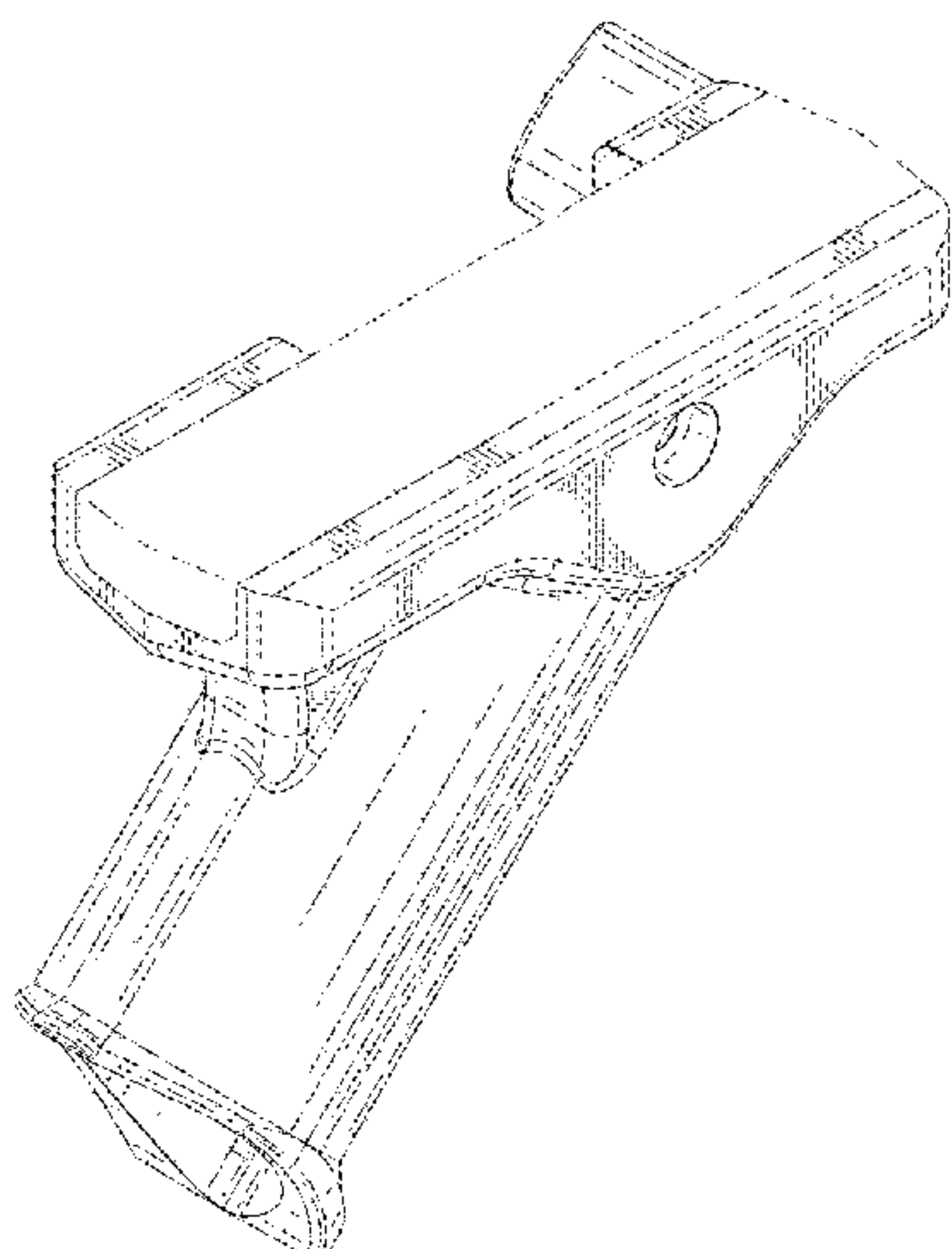
(57) **CLAIM**

The ornamental design for an angled grip, as shown and described.

DESCRIPTION

FIG. 1 includes a perspective view of a first embodiment of an angled grip.
FIG. 2 includes another perspective view thereof.
FIG. 3 includes a further perspective view thereof.
FIG. 4 includes a first side view thereof.
FIG. 5 includes a second side view thereof.
FIG. 6 includes a front view thereof.
FIG. 7 includes a back view thereof.
FIG. 8 includes a perspective view of a second embodiment of an angled grip.
FIG. 9 includes another perspective view thereof.
FIG. 10 includes a further perspective view thereof.
FIG. 11 includes a first side view thereof.
FIG. 12 includes a second side view thereof.
FIG. 13 includes a front view thereof.
FIG. 14 includes a back view thereof; and,
FIG. 15 includes a side view of a firearm with an angled grip. The broken lines in the figures depict portions of the angled grip that form no part of the claimed design. The broken line depiction of a rifle in FIG. 15 forms no part of the claimed design.

1 Claim, 13 Drawing Sheets



(56)

References Cited

U.S. PATENT DOCUMENTS

2016/0061560 A1* 3/2016 Saadon F41G 11/003
42/72

OTHER PUBLICATIONS

Amazon, Stark SE5-BL Express Angled Grip, Publication Date Unknown, [site visited Jan. 4, 2017], Available on the Internet URL:<<https://uedata.amazon.com/Stark-SE5-BL-Express-Angled-Black/dp/B00WNANFSE>>.*

* cited by examiner

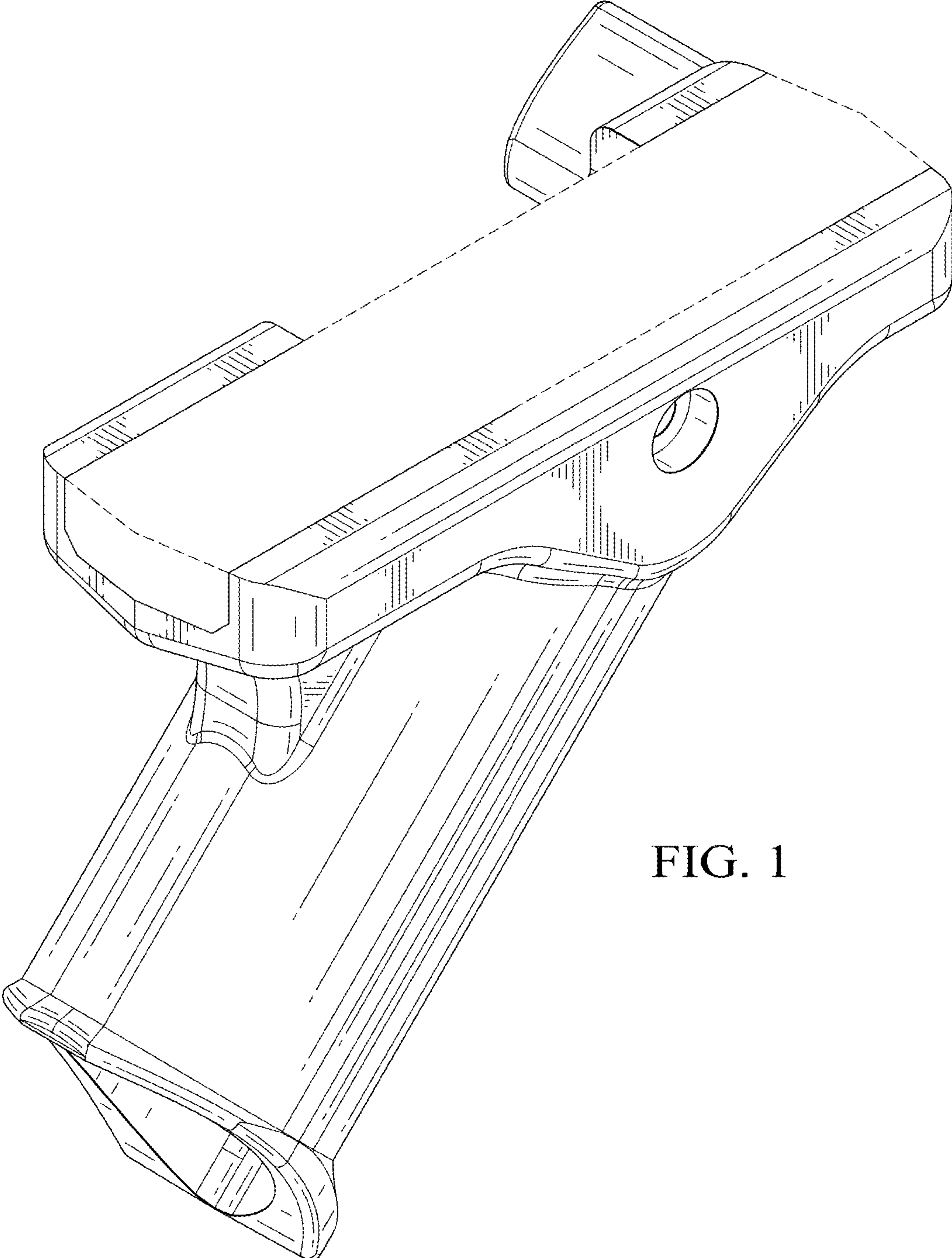


FIG. 1

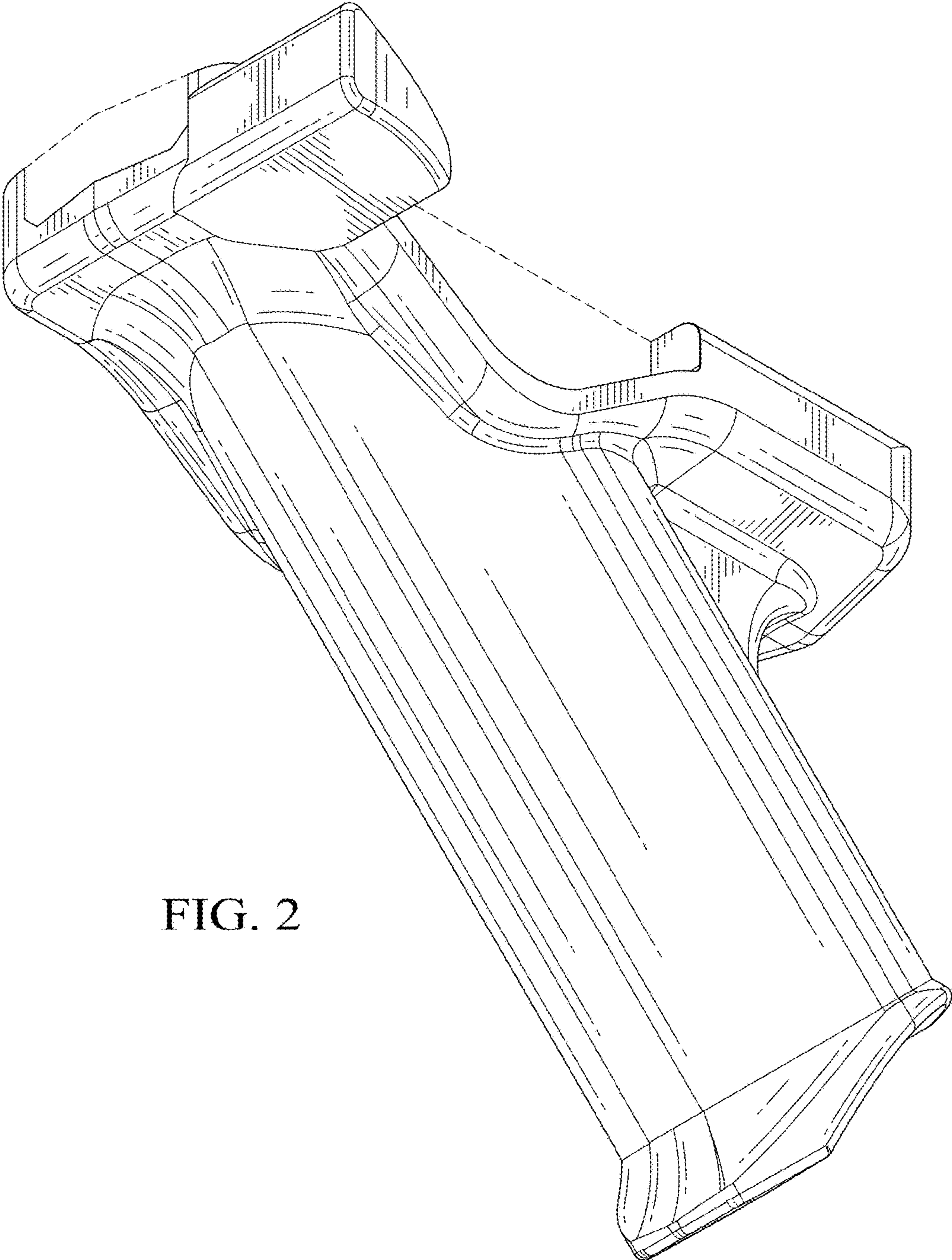


FIG. 2

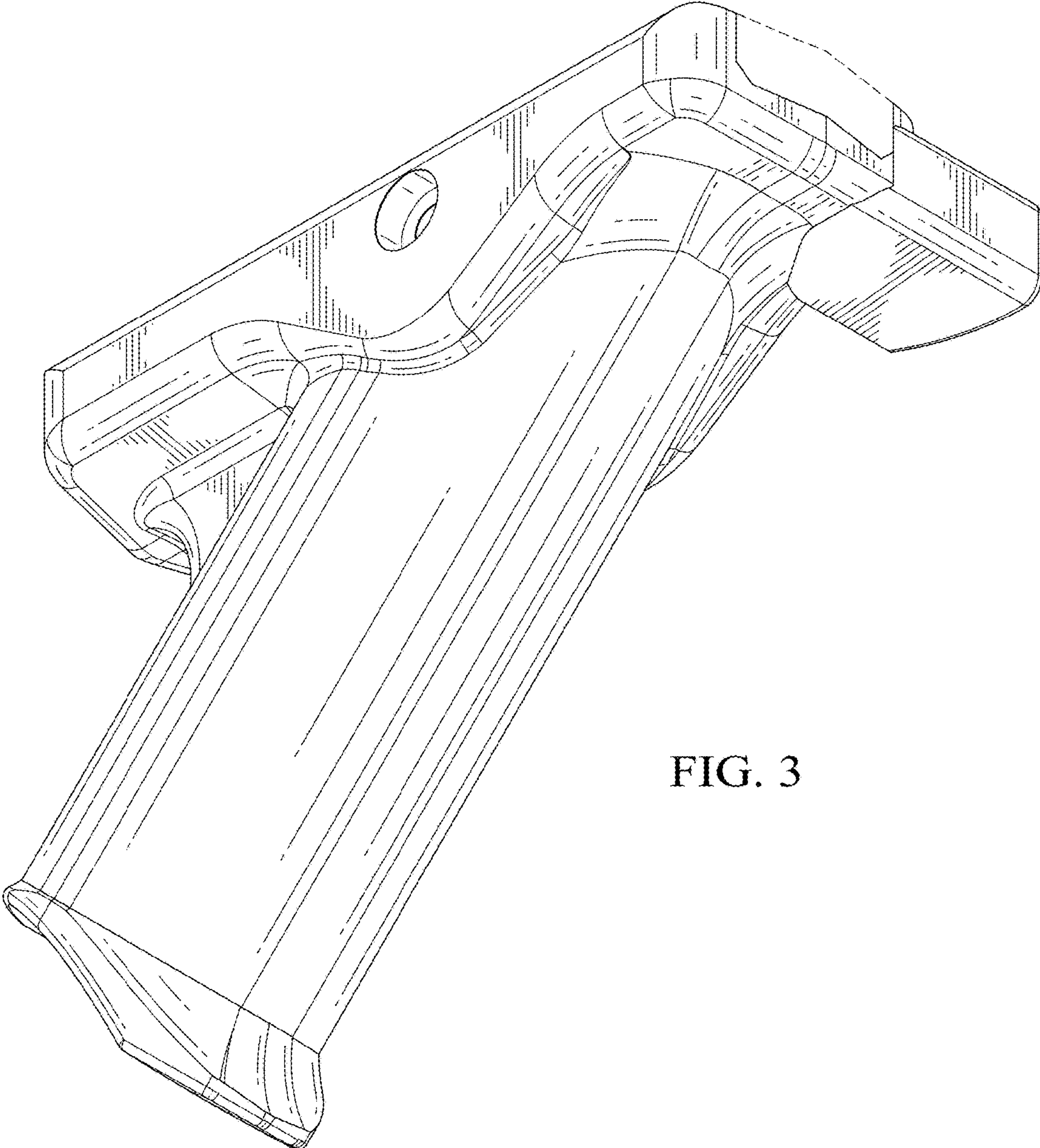


FIG. 3

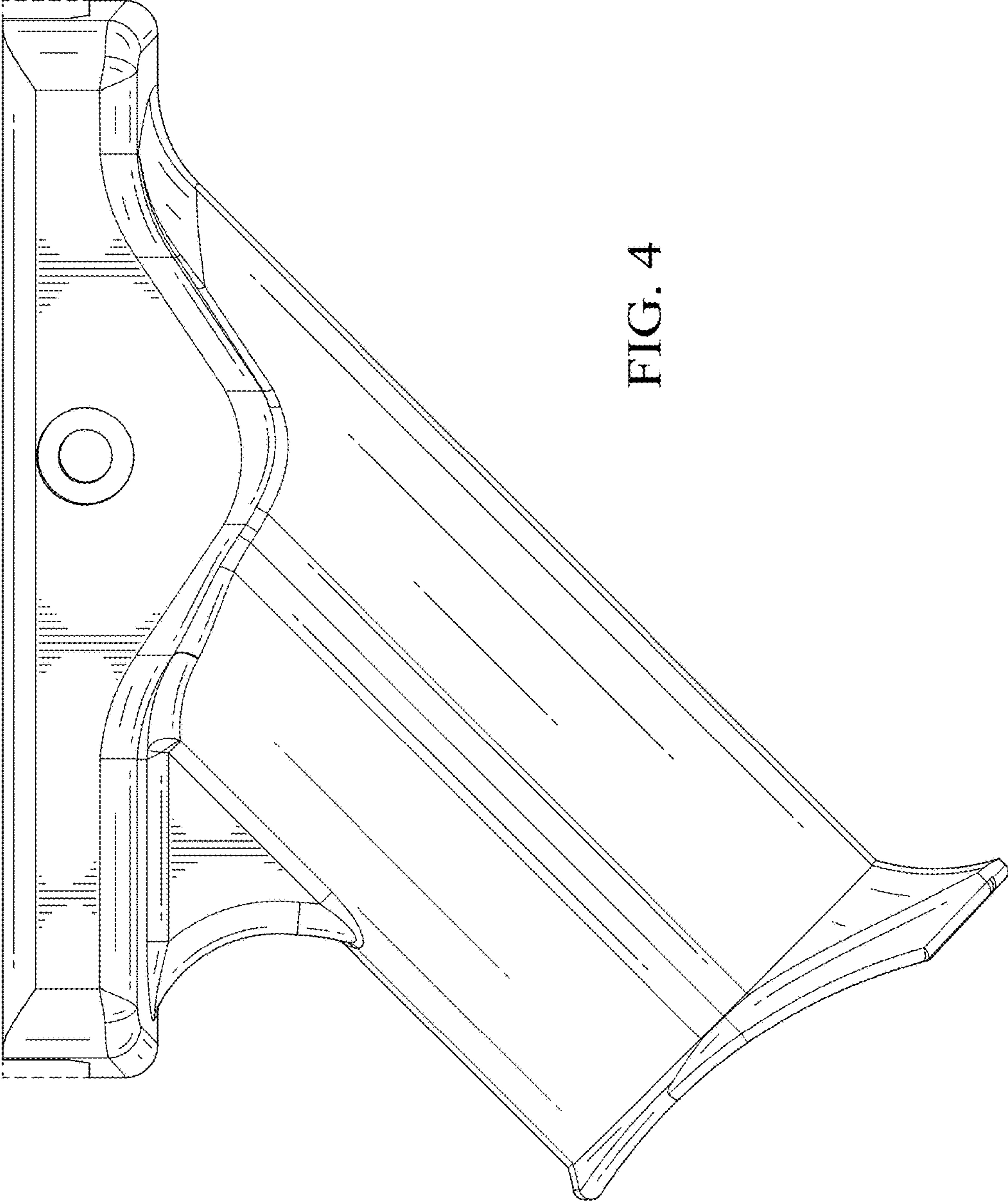


FIG. 4

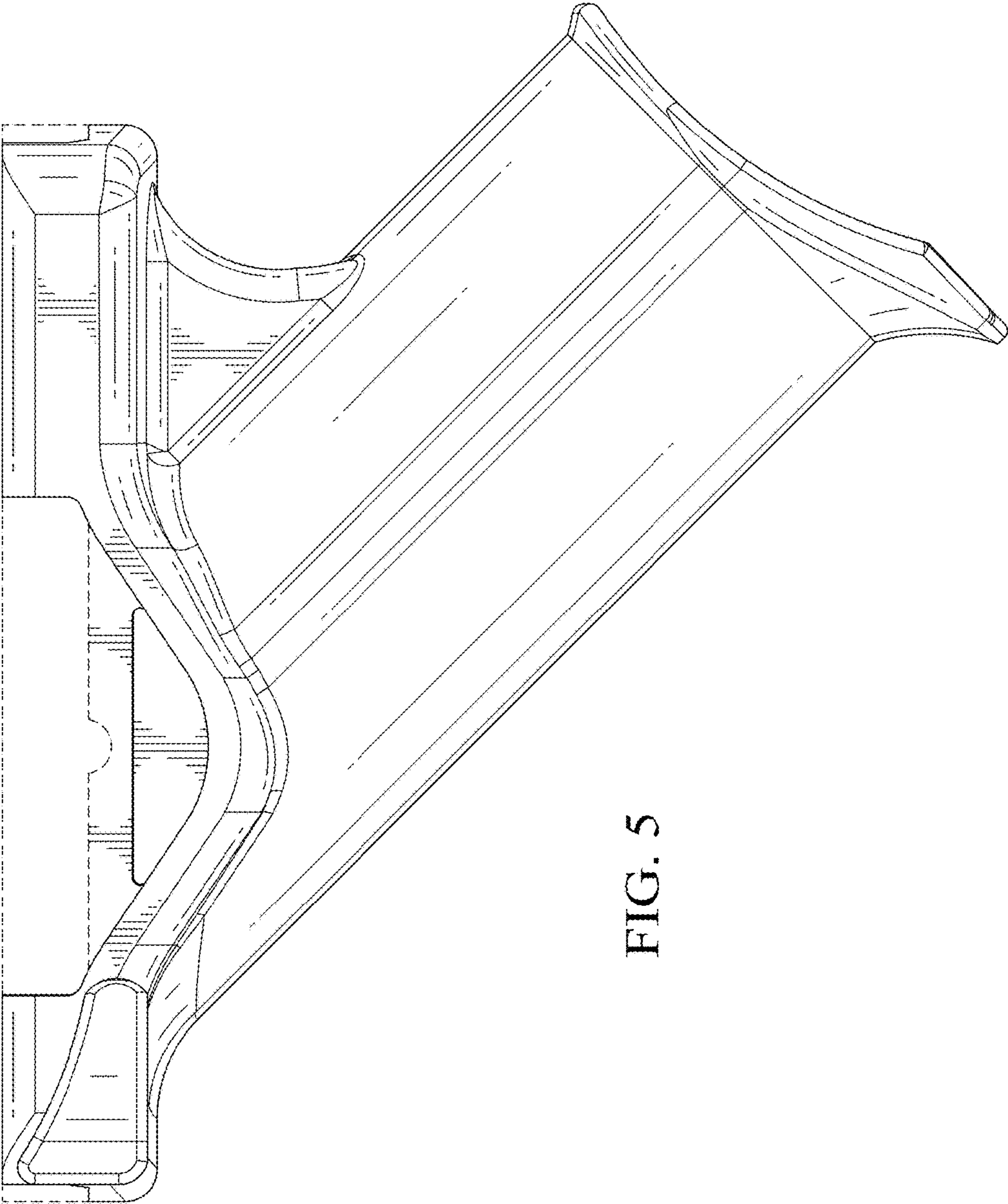


FIG. 5

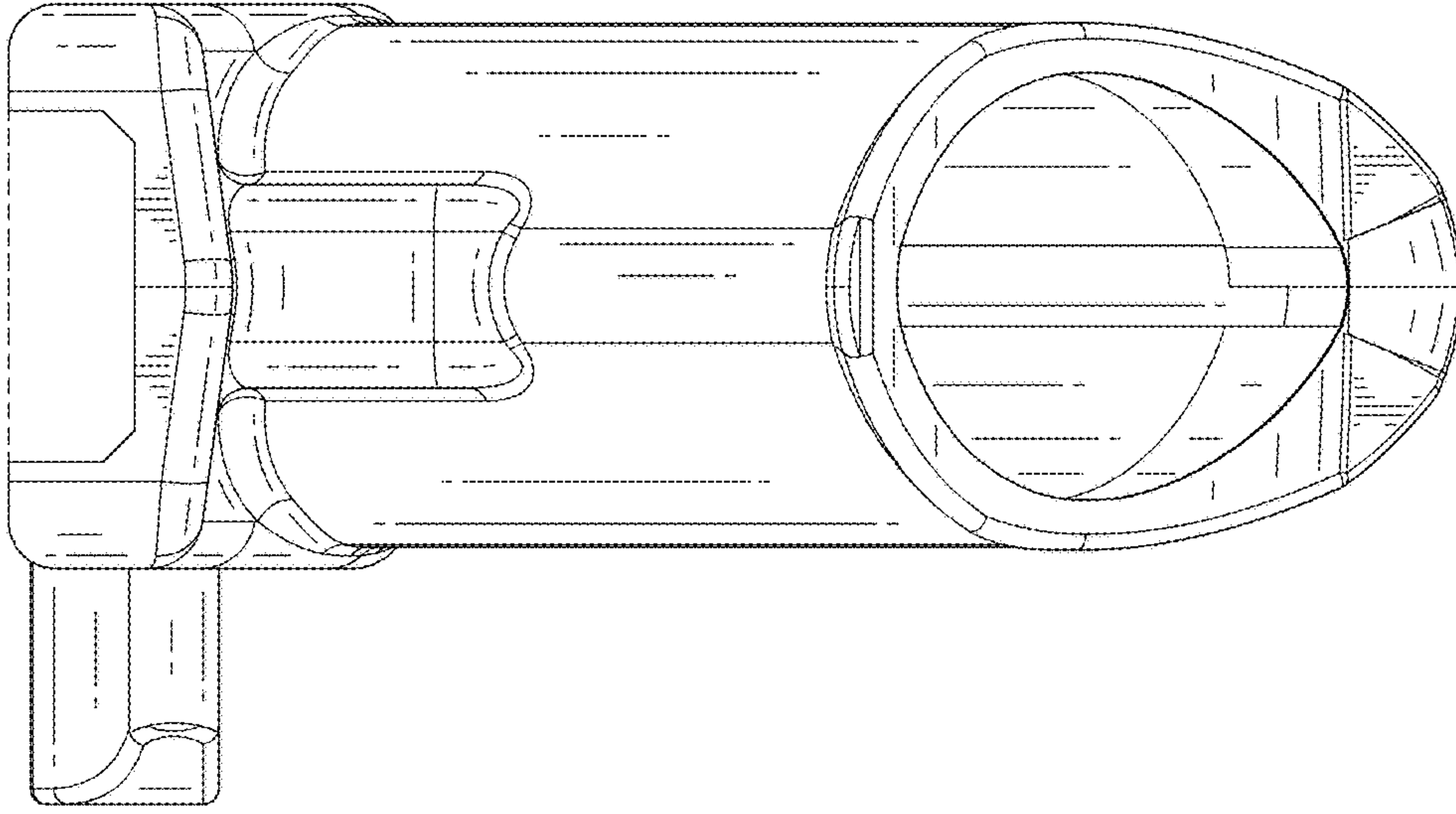


FIG. 7

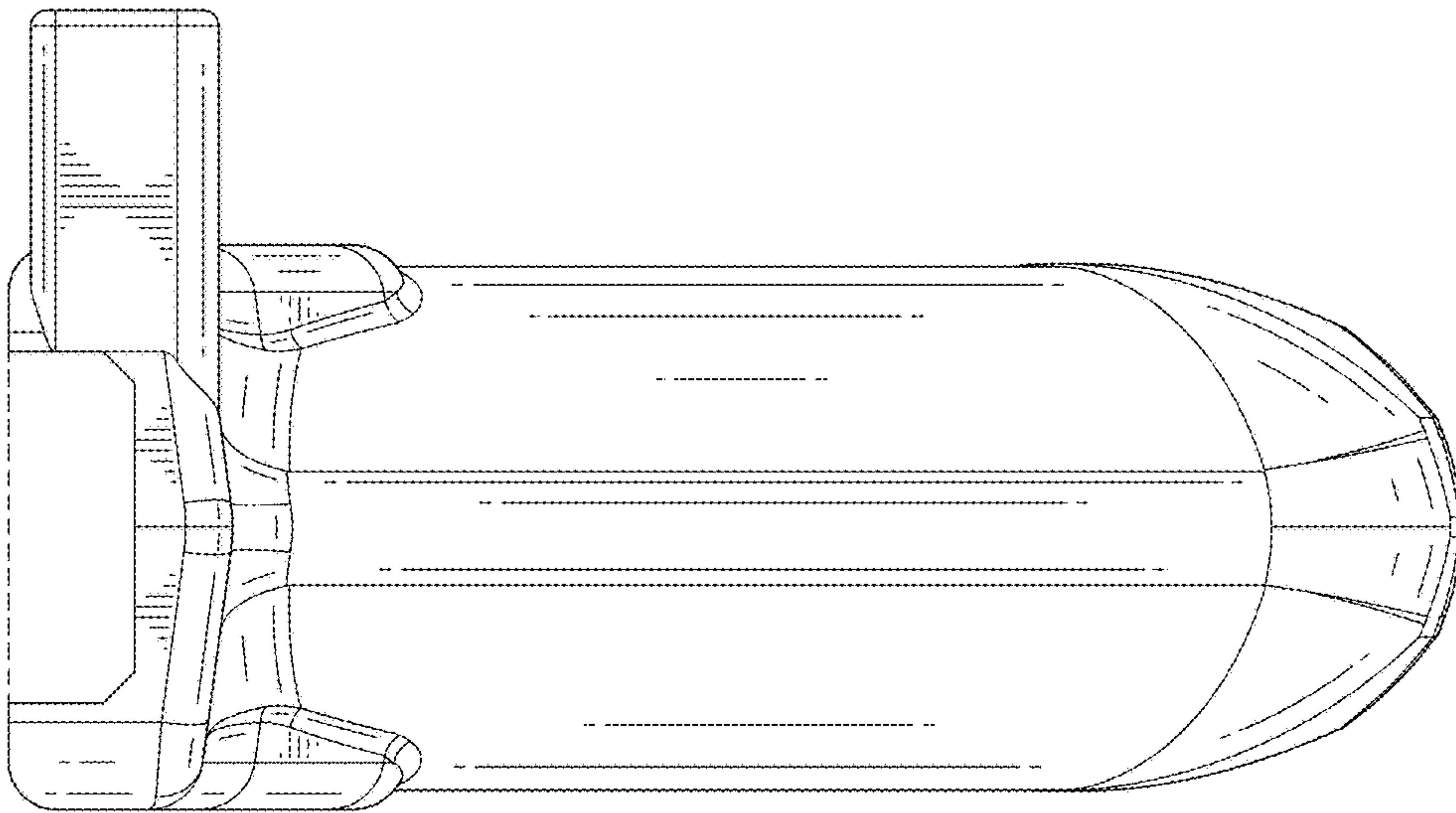


FIG. 6

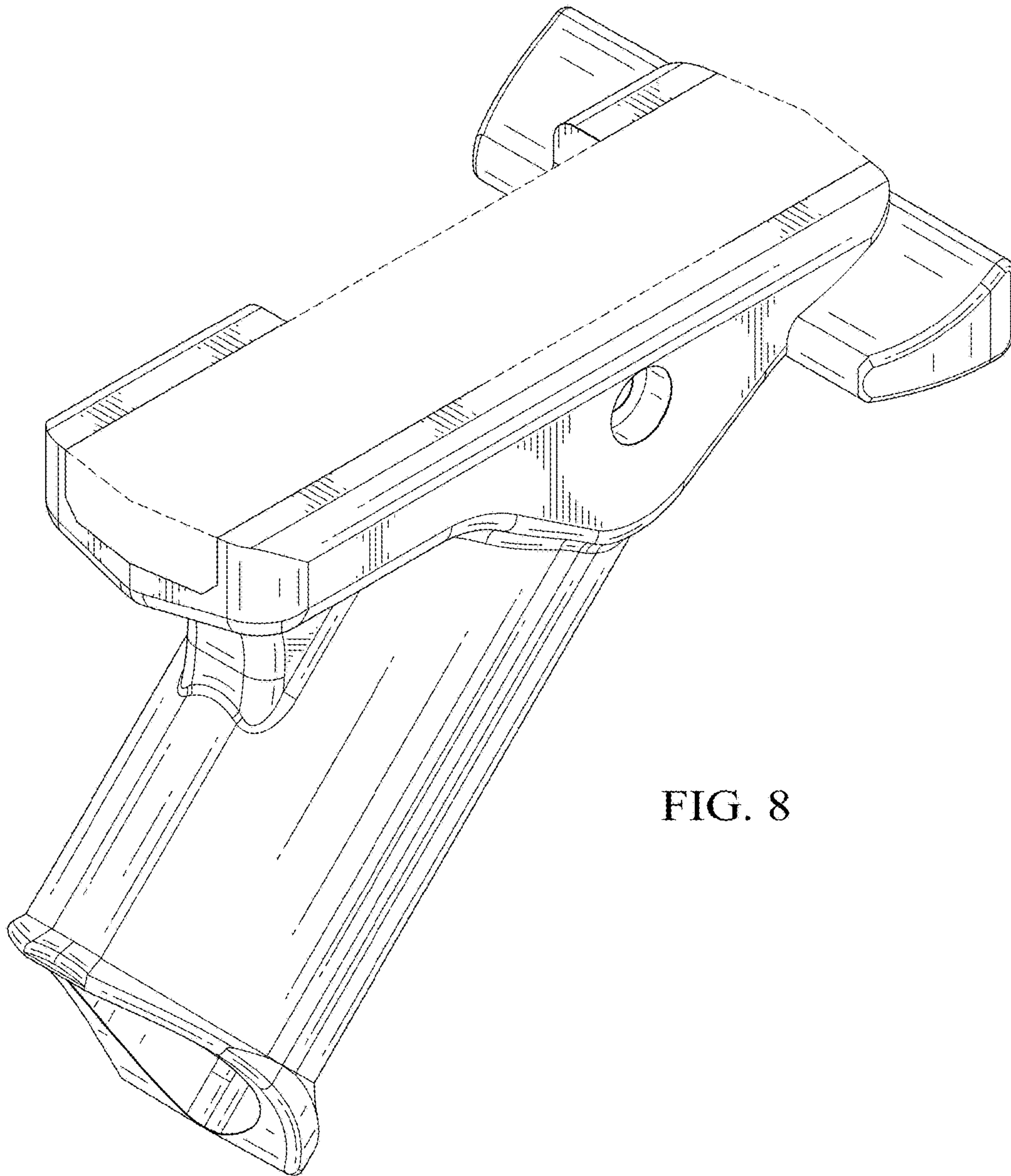


FIG. 8

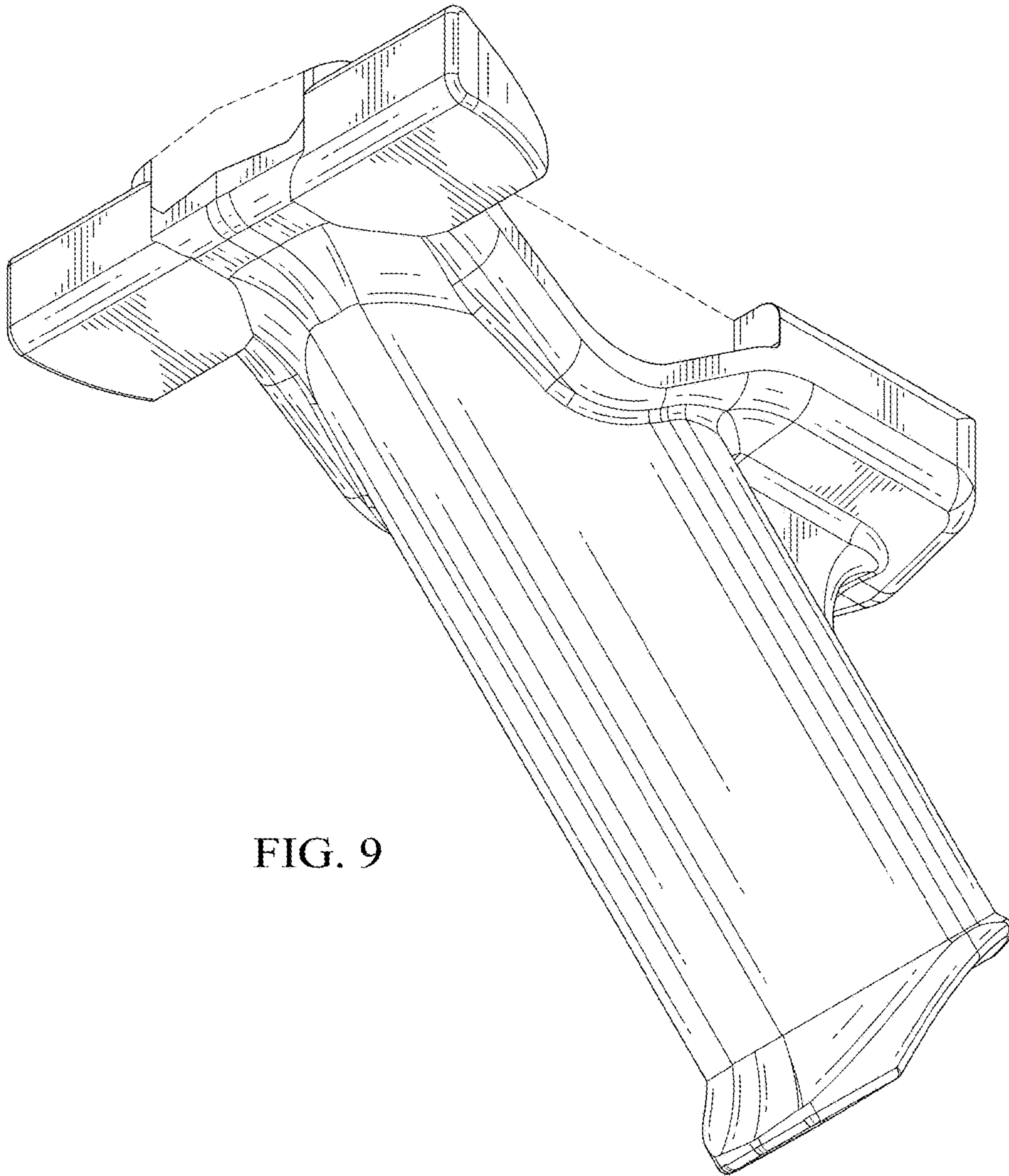


FIG. 9

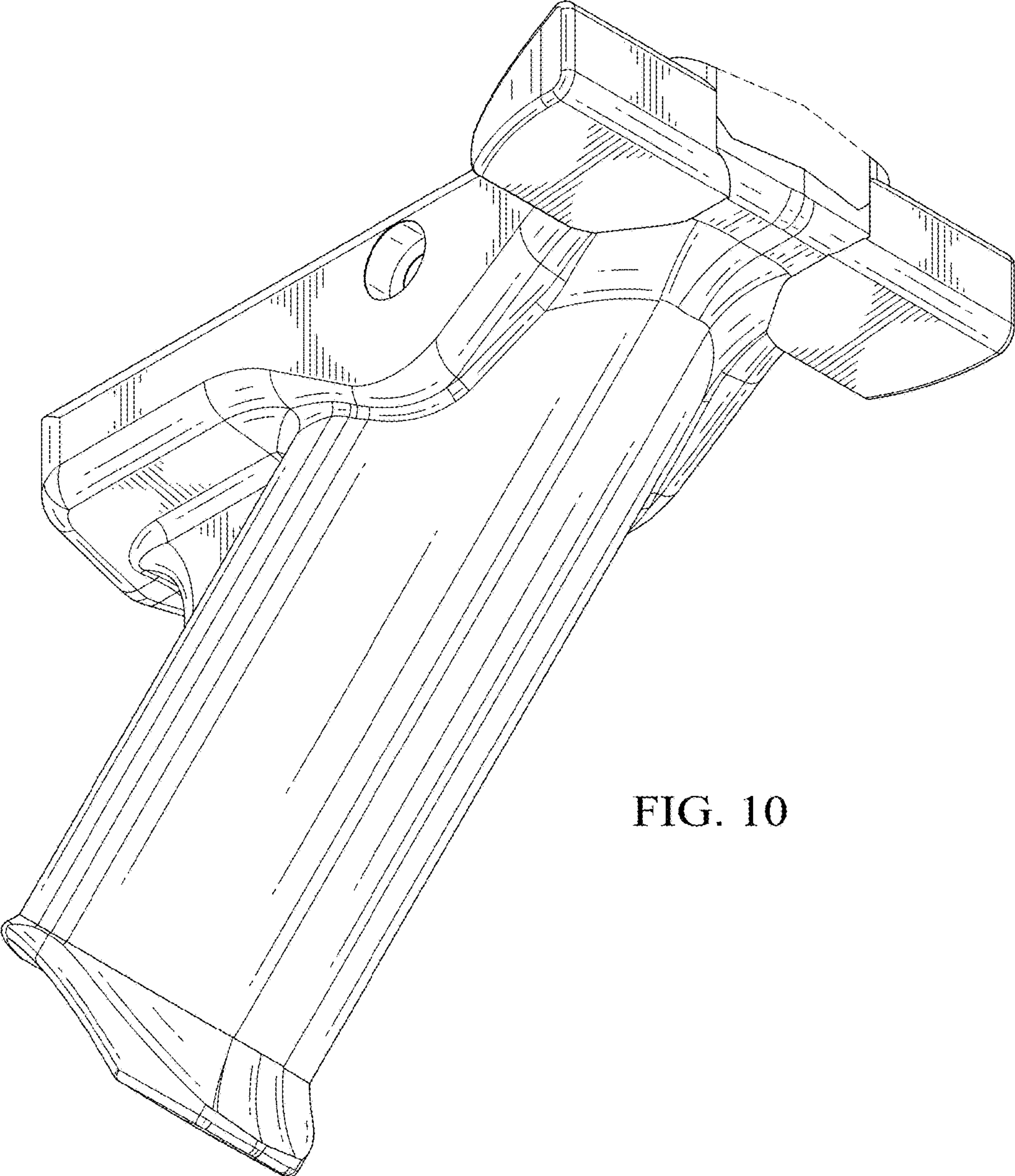


FIG. 10

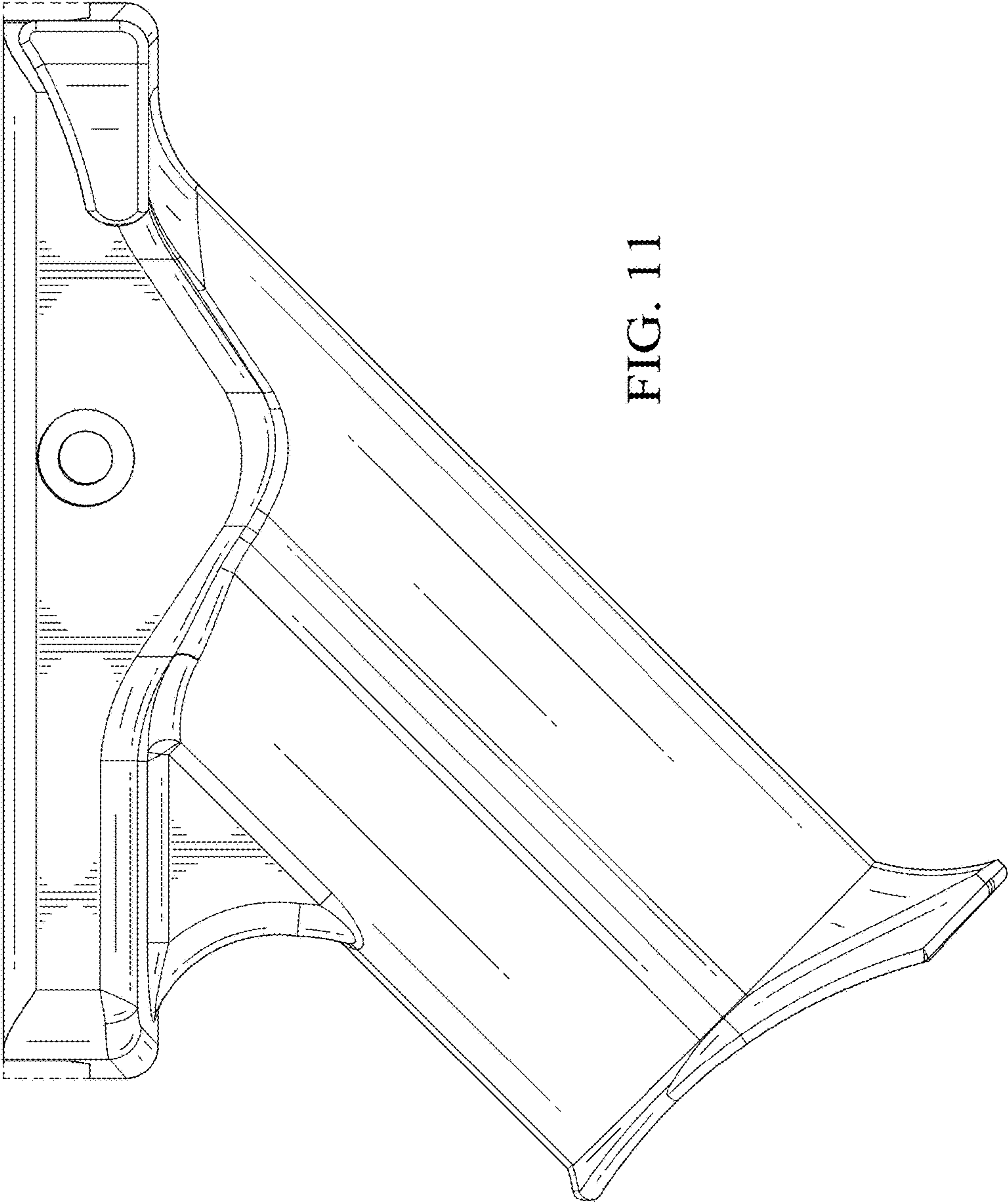


FIG. 11

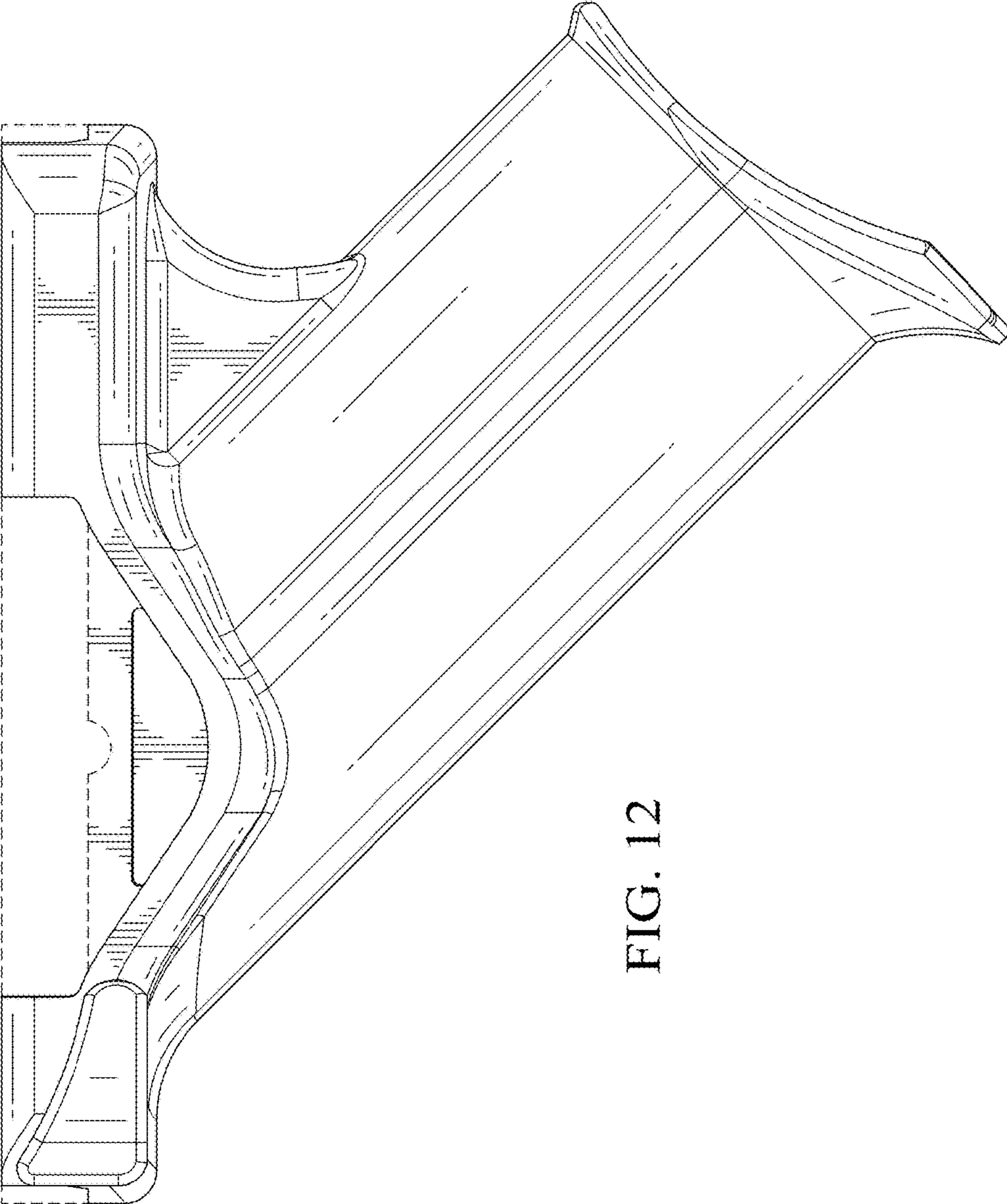


FIG. 12

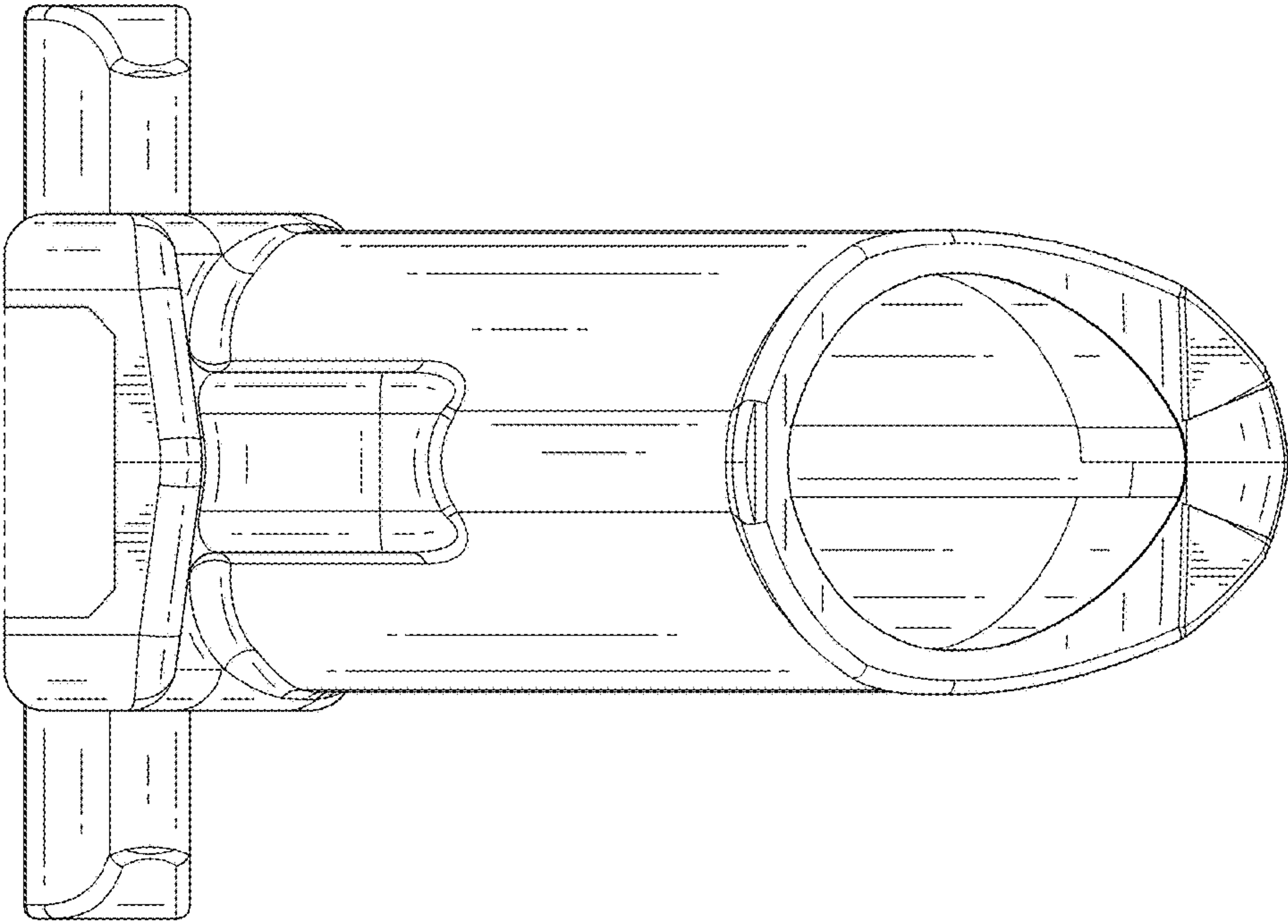


FIG. 14

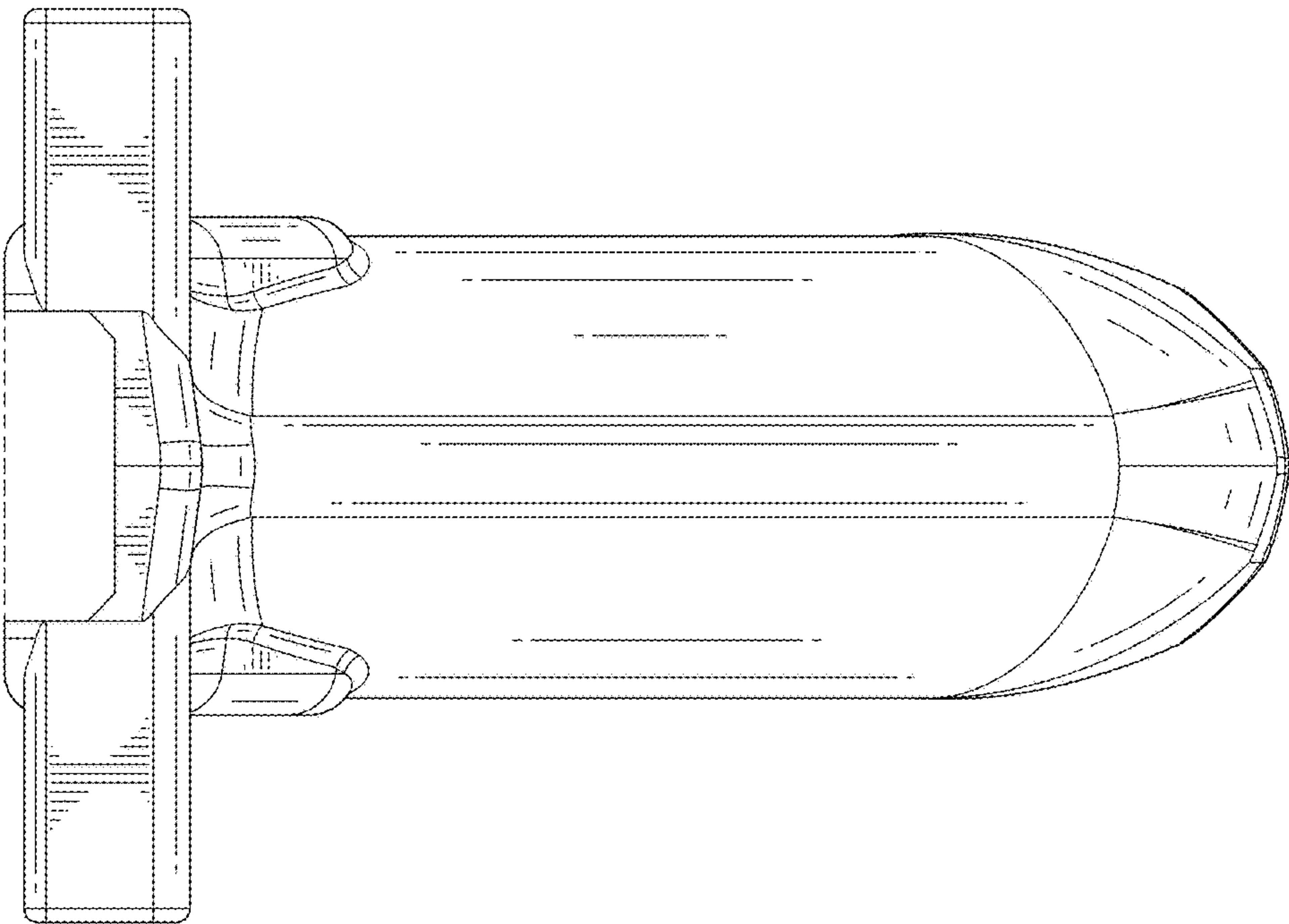


FIG. 13

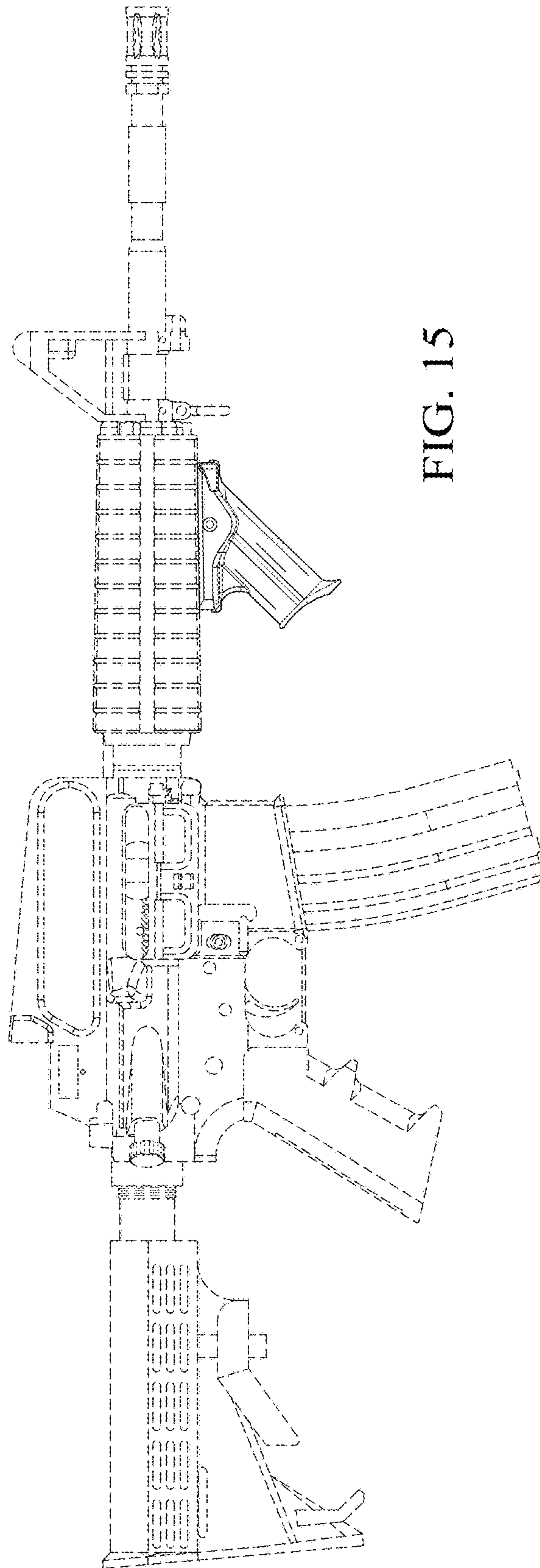


FIG. 15