



US00D803968S

(12) **United States Design Patent** (10) **Patent No.:** **US D803,968 S**
Saadon (45) **Date of Patent:** **** Nov. 28, 2017**

- (54) **ANGLED GRIP**
- (71) Applicant: **FXD, LLC**, Austin, TX (US)
- (72) Inventor: **Marschell B Saadon**, Round Rock, TX (US)
- (73) Assignee: **FXD, LLC**, Austin, TX (US)
- (**) Term: **15 Years**
- (21) Appl. No.: **29/556,377**

- (22) Filed: **Feb. 29, 2016**
- (51) **LOC (10) Cl.** **22-01**
- (52) **U.S. Cl.**
USPC **D22/108**
- (58) **Field of Classification Search**
USPC 42/90, 94, 114, 117, 124, 125, 126, 127,
42/131, 146; 362/109, 110, 111, 112,
362/113, 114; D22/108
CPC F41C 23/10; F41C 23/14; F41C 23/16;
F41C 23/18
See application file for complete search history.

- (56) **References Cited**
U.S. PATENT DOCUMENTS
D643,497 S * 8/2011 Fitzpatrick D22/108
D665,043 S * 8/2012 Fitzpatrick D22/108
D745,629 S * 12/2015 Barfoot D22/108

OTHER PUBLICATIONS
Midway USA, Magpul AFG2 Angled Forend Grip AR-15 Polymer,
Publication Date Unknown, [Site Visited Jan. 4, 2016], Available on

the Internet URL:<<http://www.midwayusa.com/product/2319453274/magpul-afg2-angled-forend-grip-ar-15-polymer>>.*

* cited by examiner

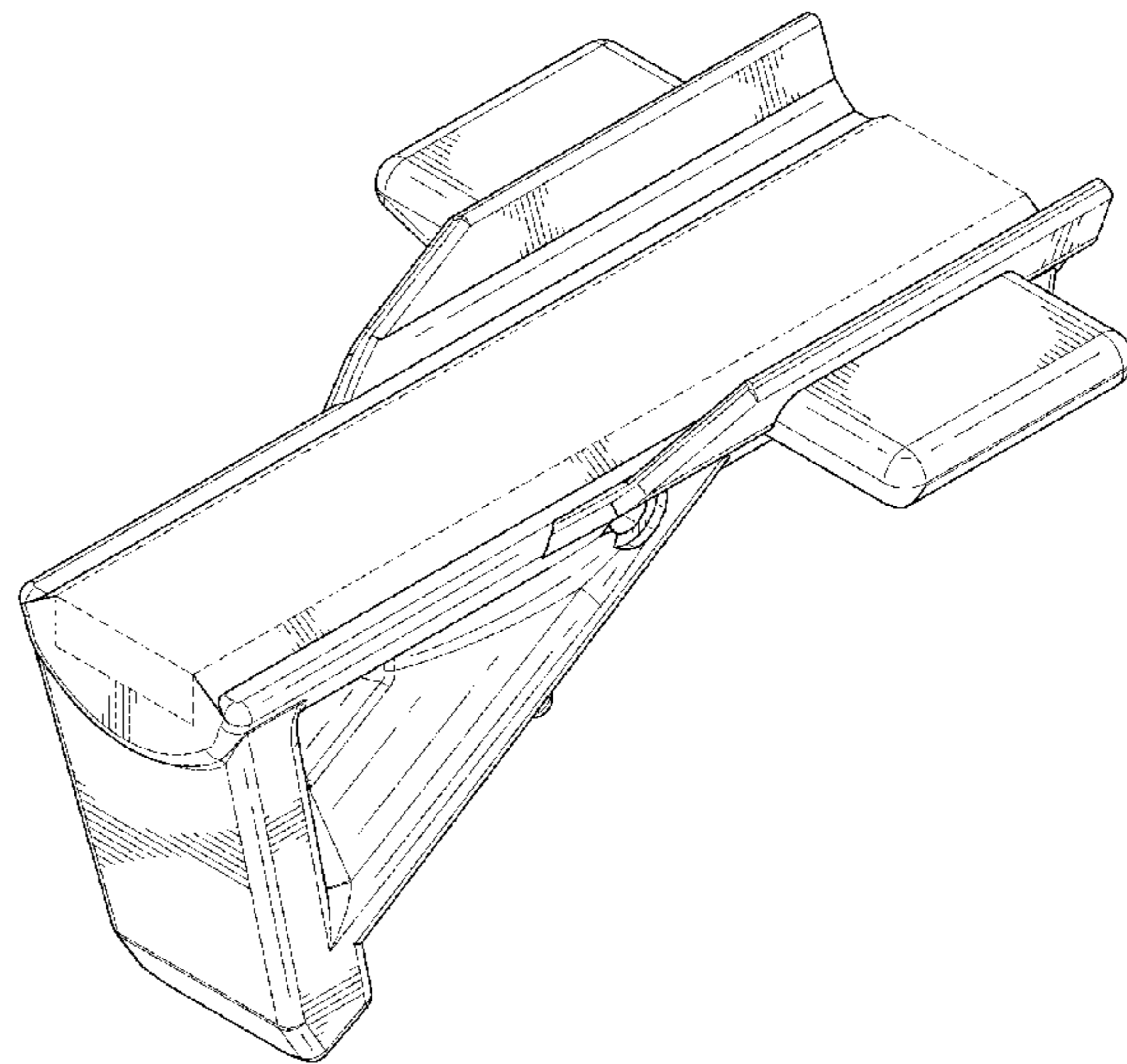
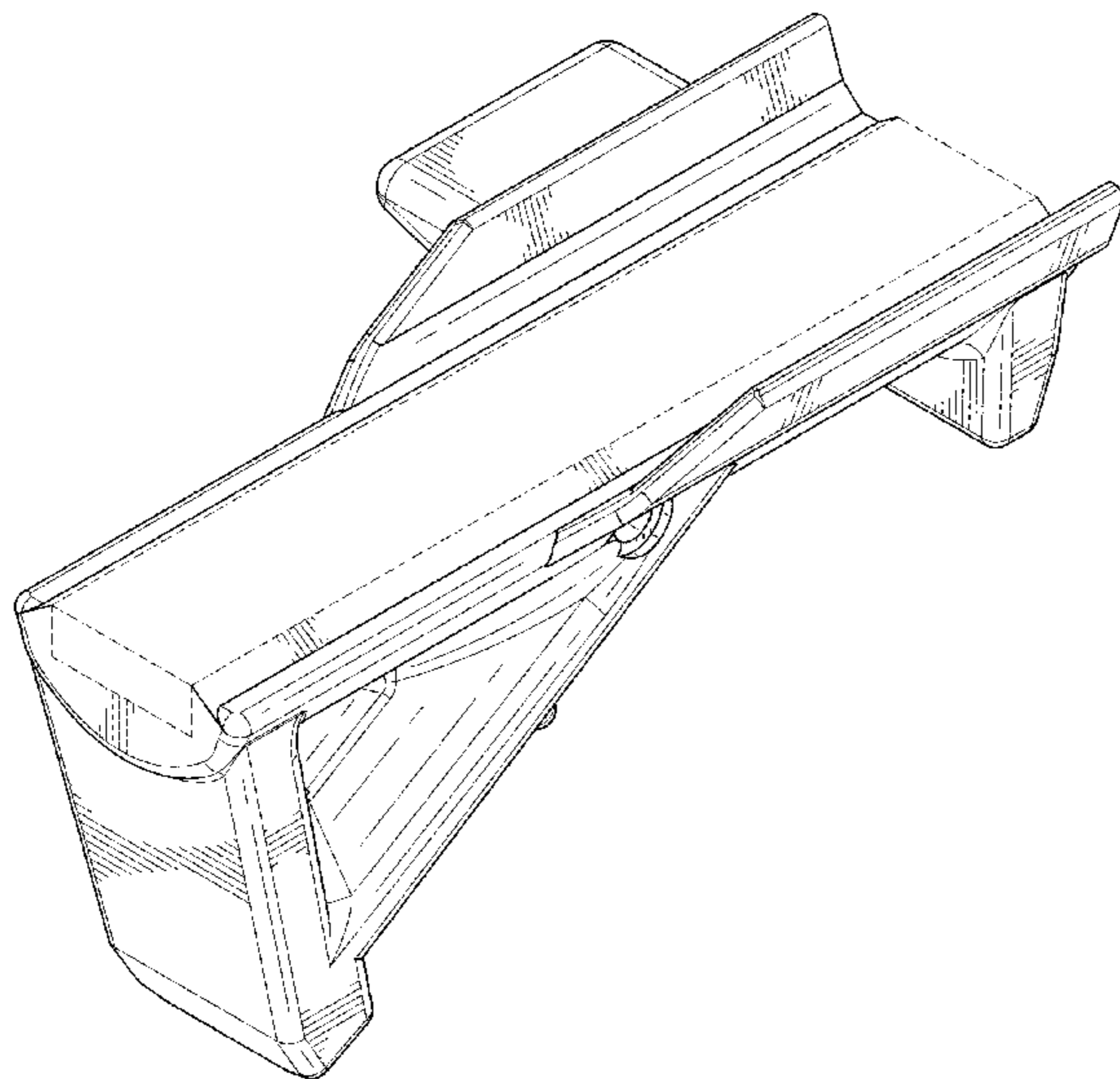
Primary Examiner — Susan Bennett Hattan
Assistant Examiner — S. Bryan Reinholdt, Jr.

(57) **CLAIM**
The ornamental design for an angled grip, as shown and described.

DESCRIPTION

FIG. 1 includes a perspective view of a first embodiment of an angled grip.
 FIG. 2 includes another perspective view thereof.
 FIG. 3 includes a further perspective view thereof.
 FIG. 4 includes a first side view thereof.
 FIG. 5 includes a second side view thereof.
 FIG. 6 includes a front view thereof.
 FIG. 7 includes a back view thereof.
 FIG. 8 includes a perspective view of a second embodiment of an angled grip.
 FIG. 9 includes another perspective view thereof.
 FIG. 10 includes a side view thereof.
 FIG. 11 includes a front view thereof.
 FIG. 12 includes a back view thereof; and,
 FIG. 13 includes a side view of a firearm with an angled grip.
 The broken lines in the figures depict portions of the angled grip that form no part of the claimed design. The broken line depiction of a rifle in FIG. 13 forms no part of the claimed design.
 The angled grip finds use as an accessory for firearms, paintball guns, and other projectile weapons.

1 Claim, 11 Drawing Sheets



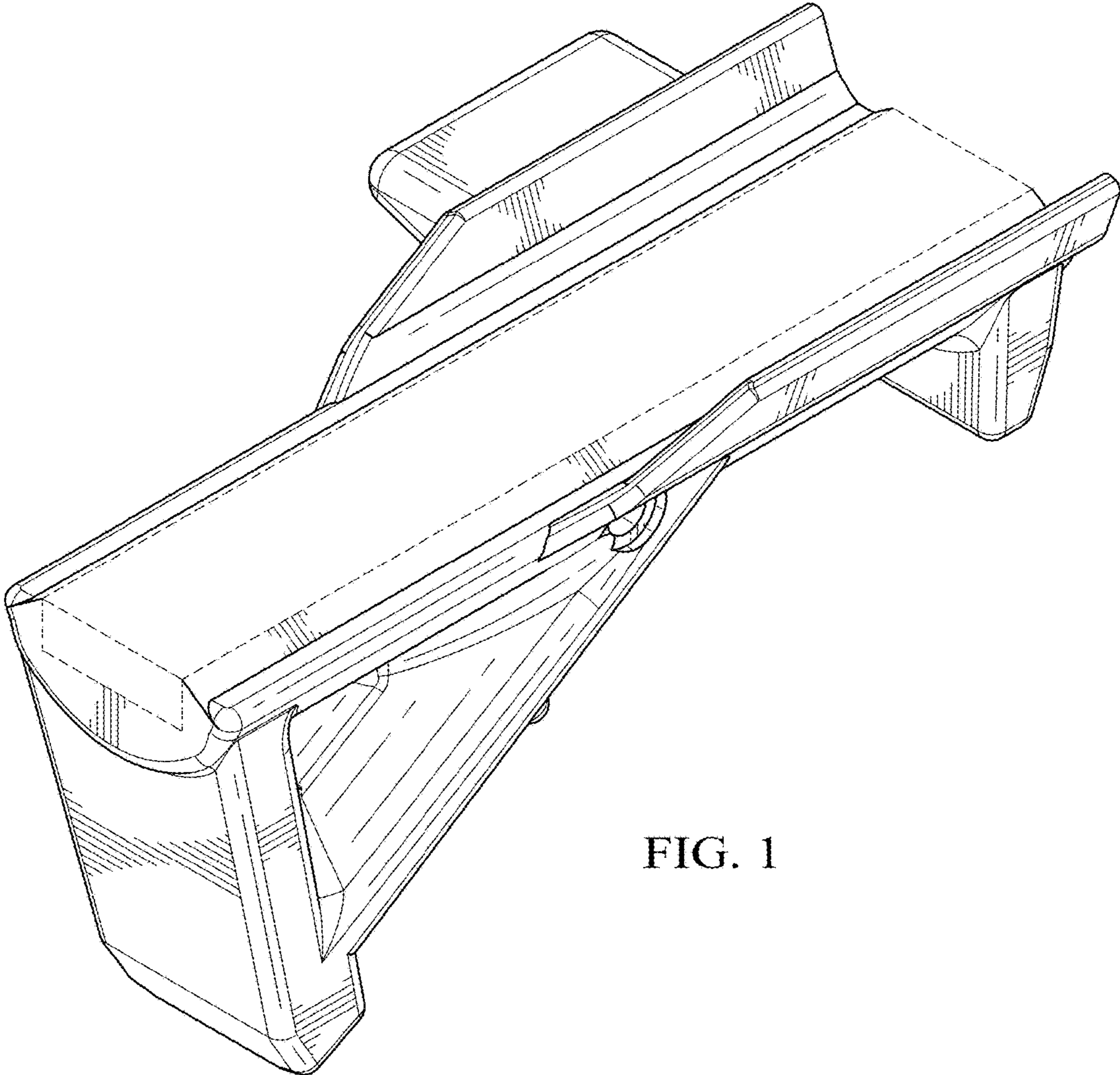


FIG. 1

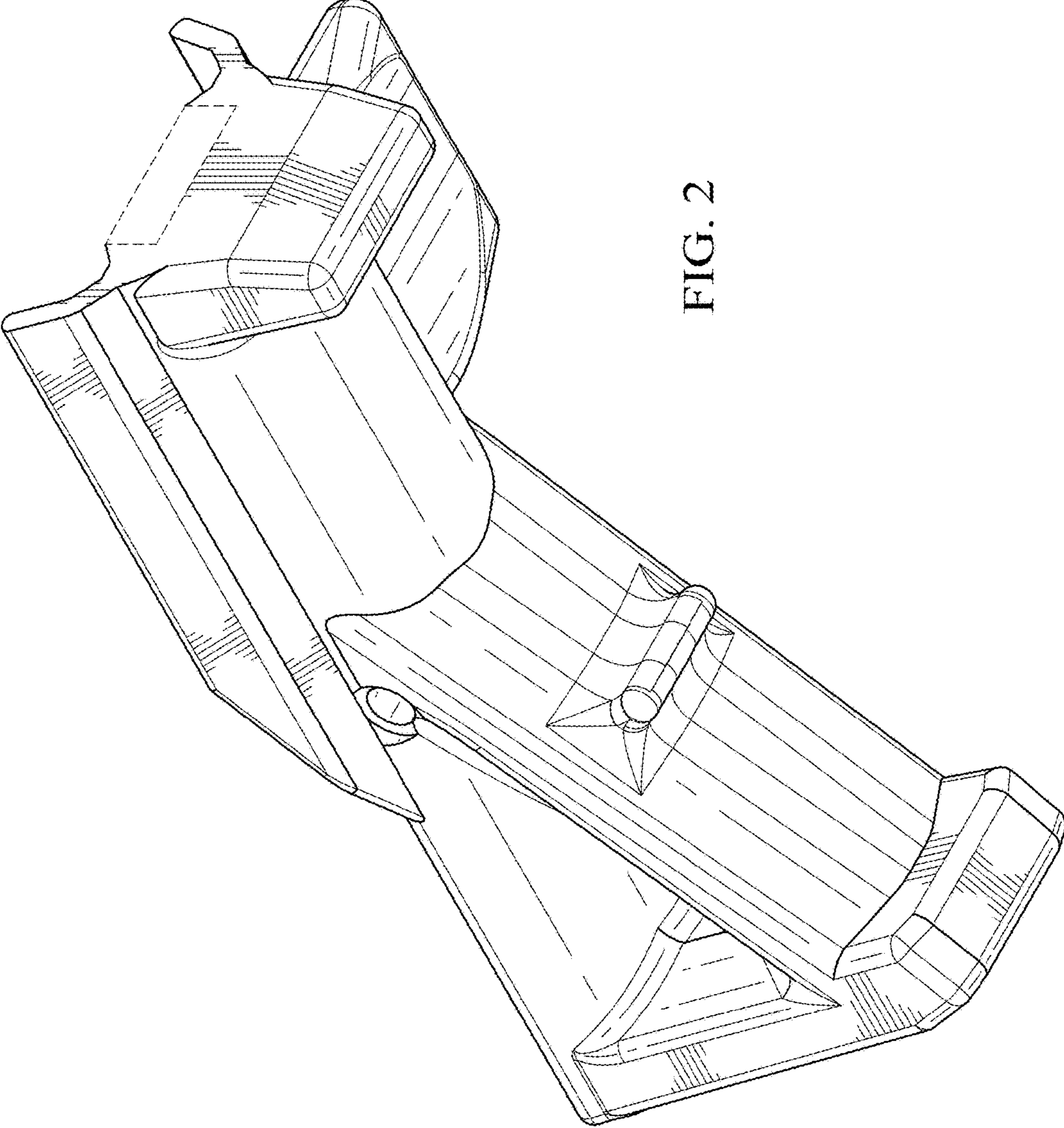


FIG. 2

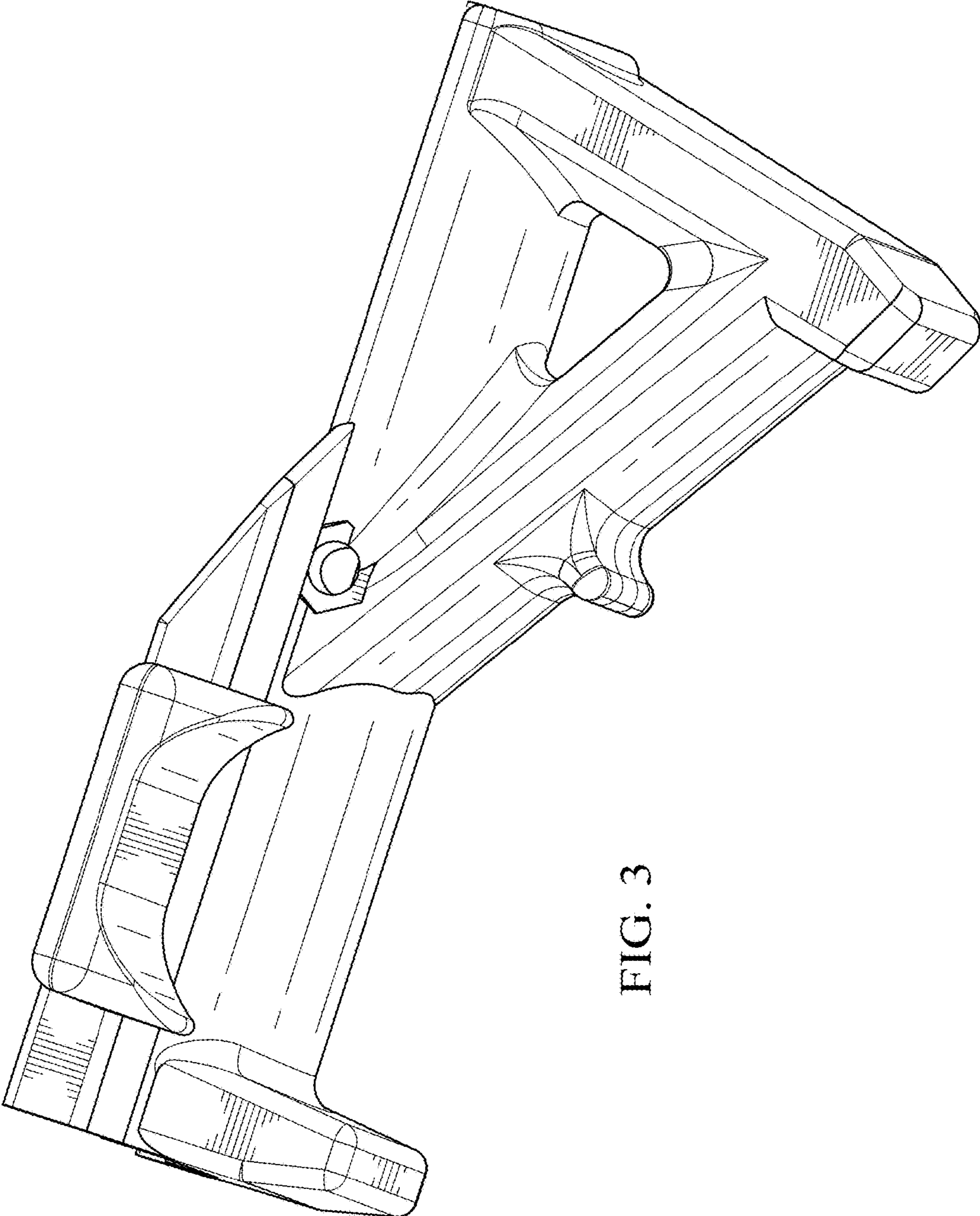


FIG. 3

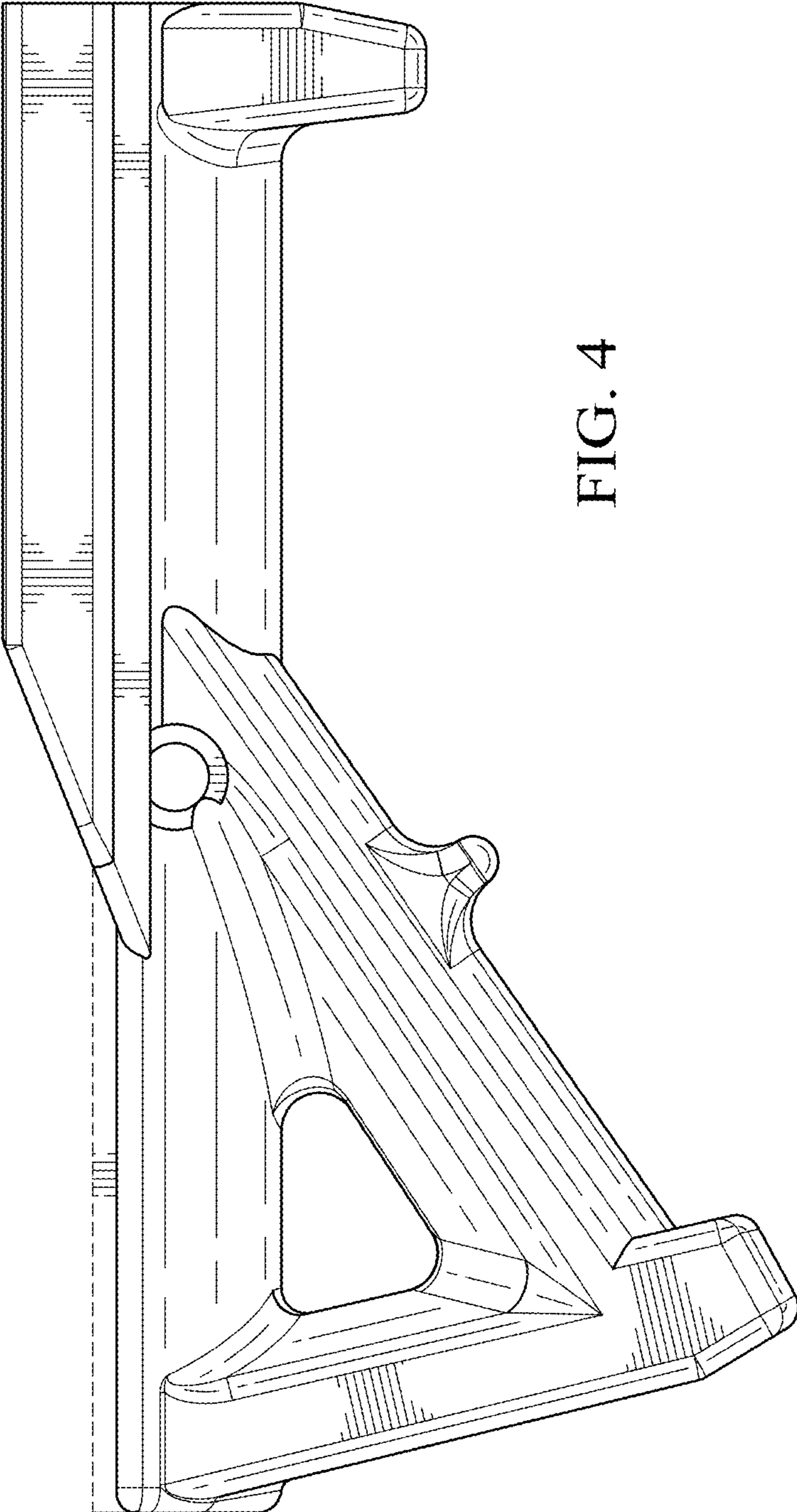


FIG. 4

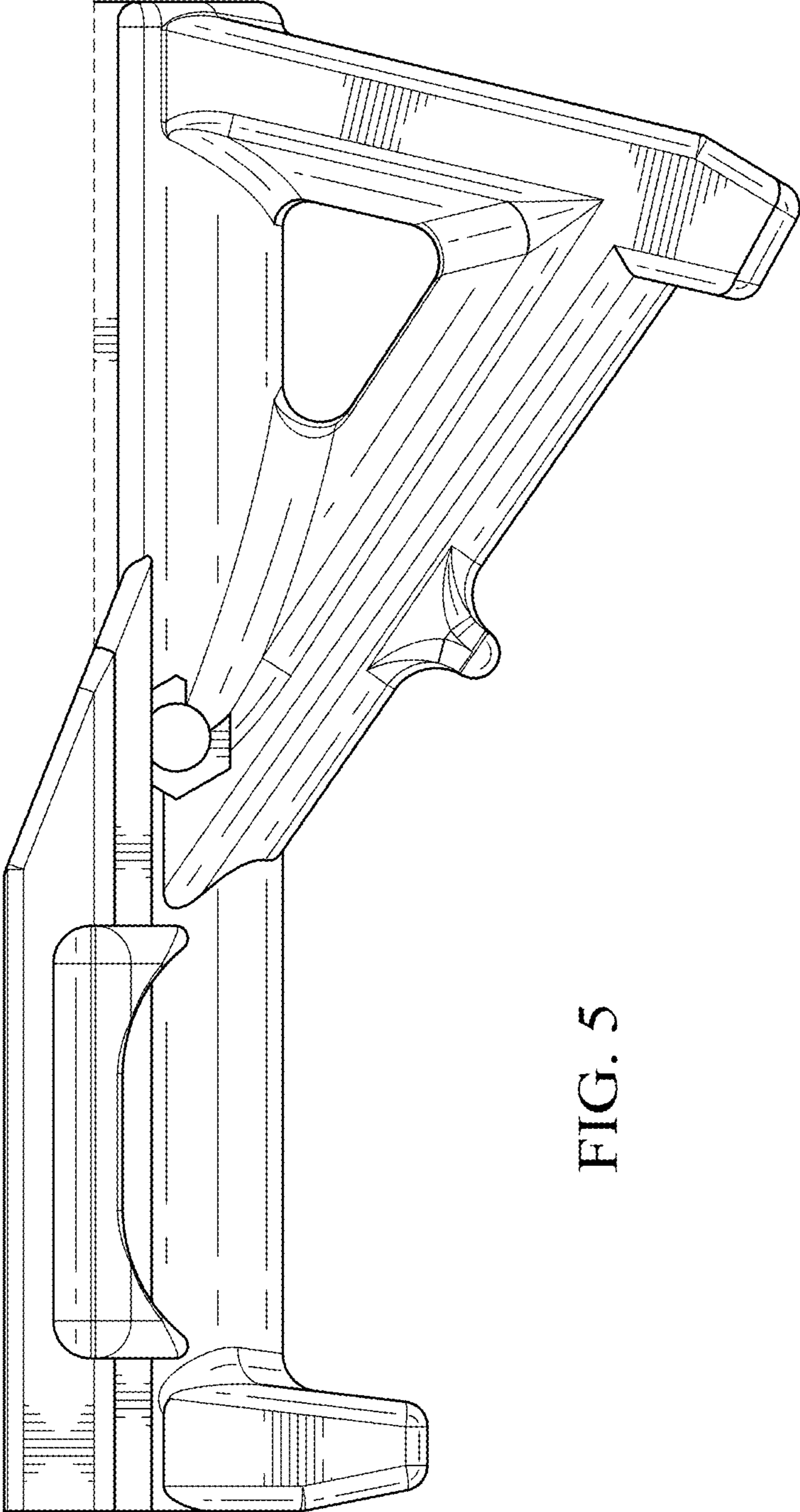


FIG. 5

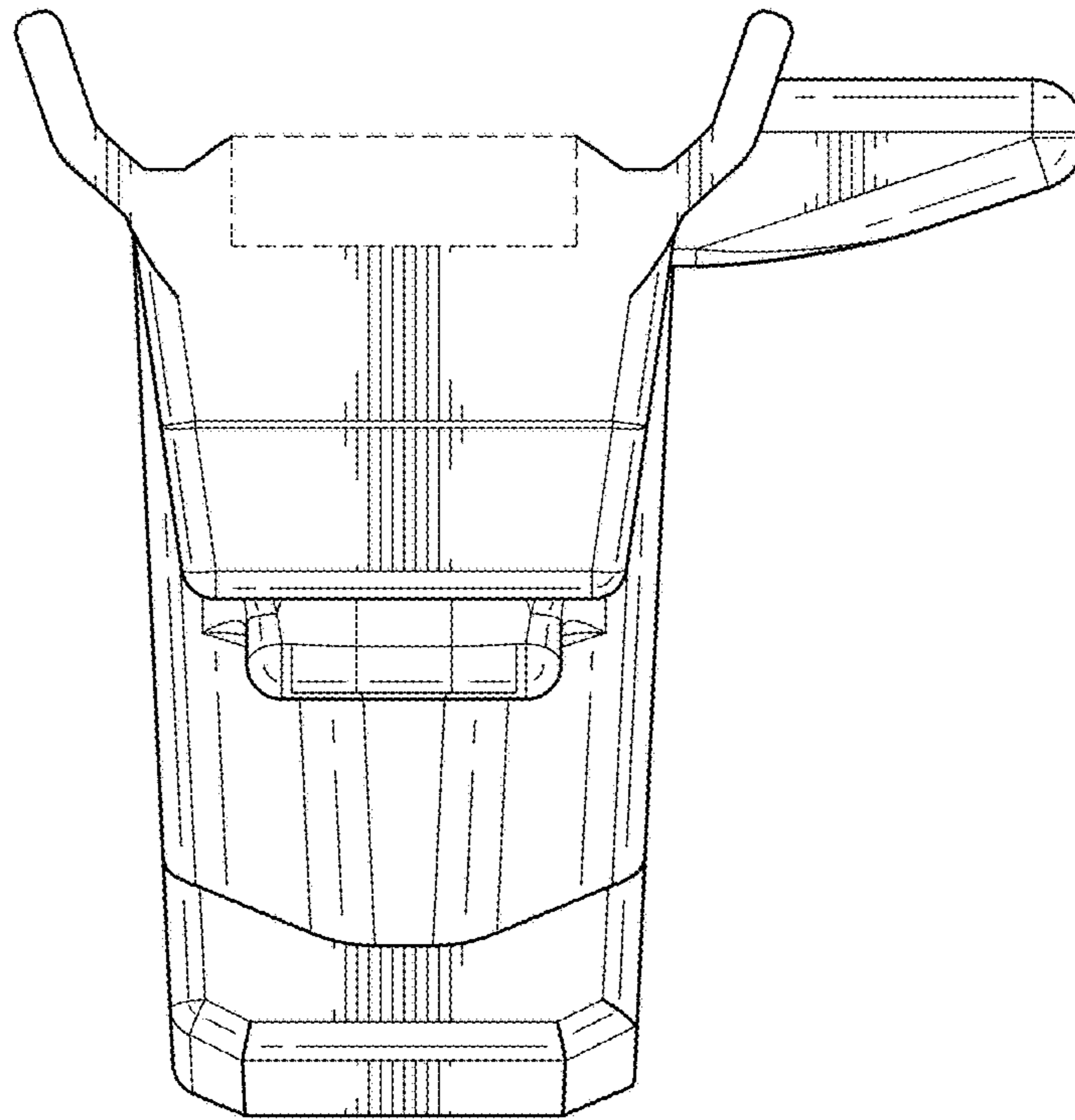


FIG. 6

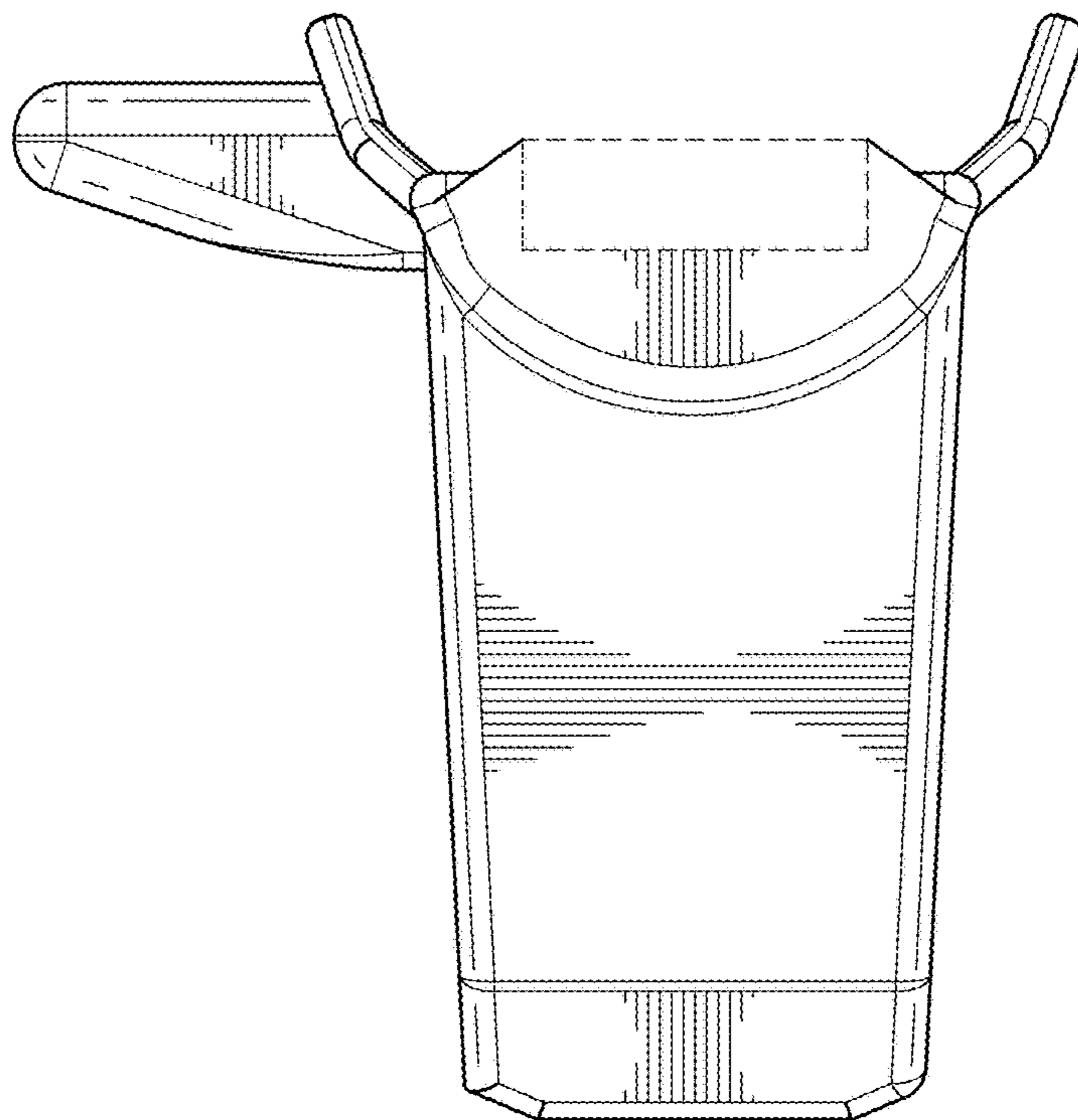


FIG. 7

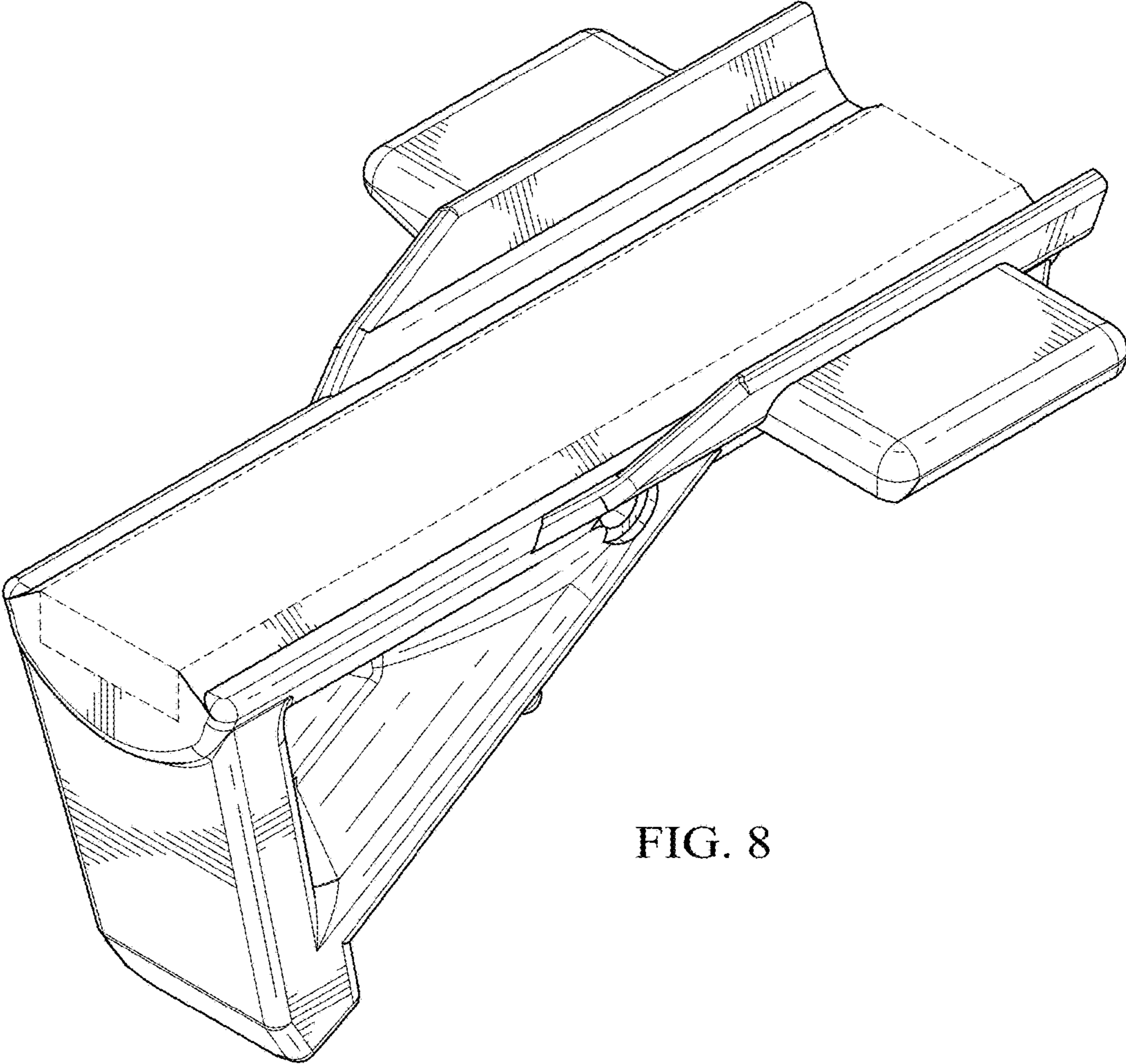


FIG. 8

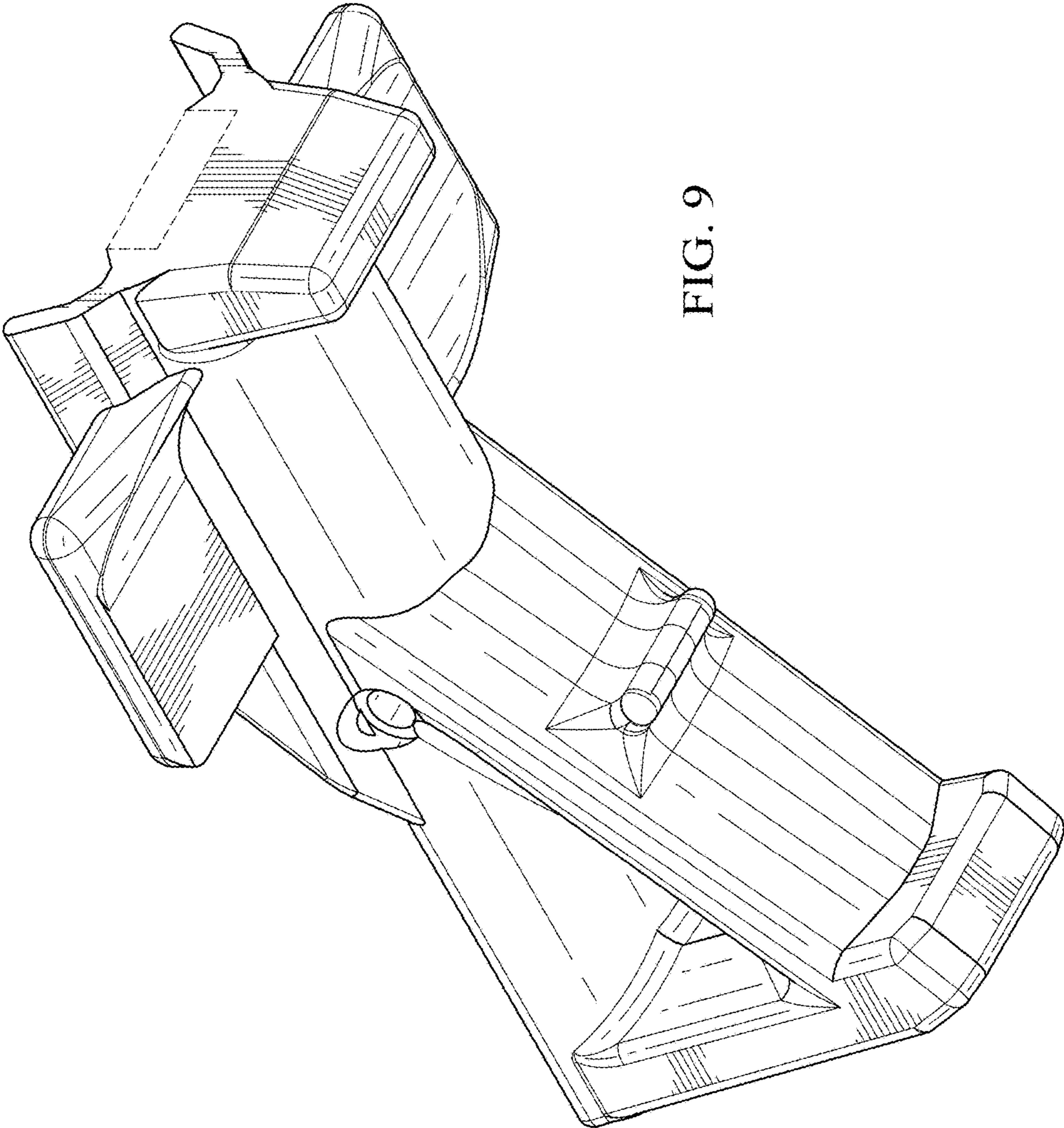


FIG. 9

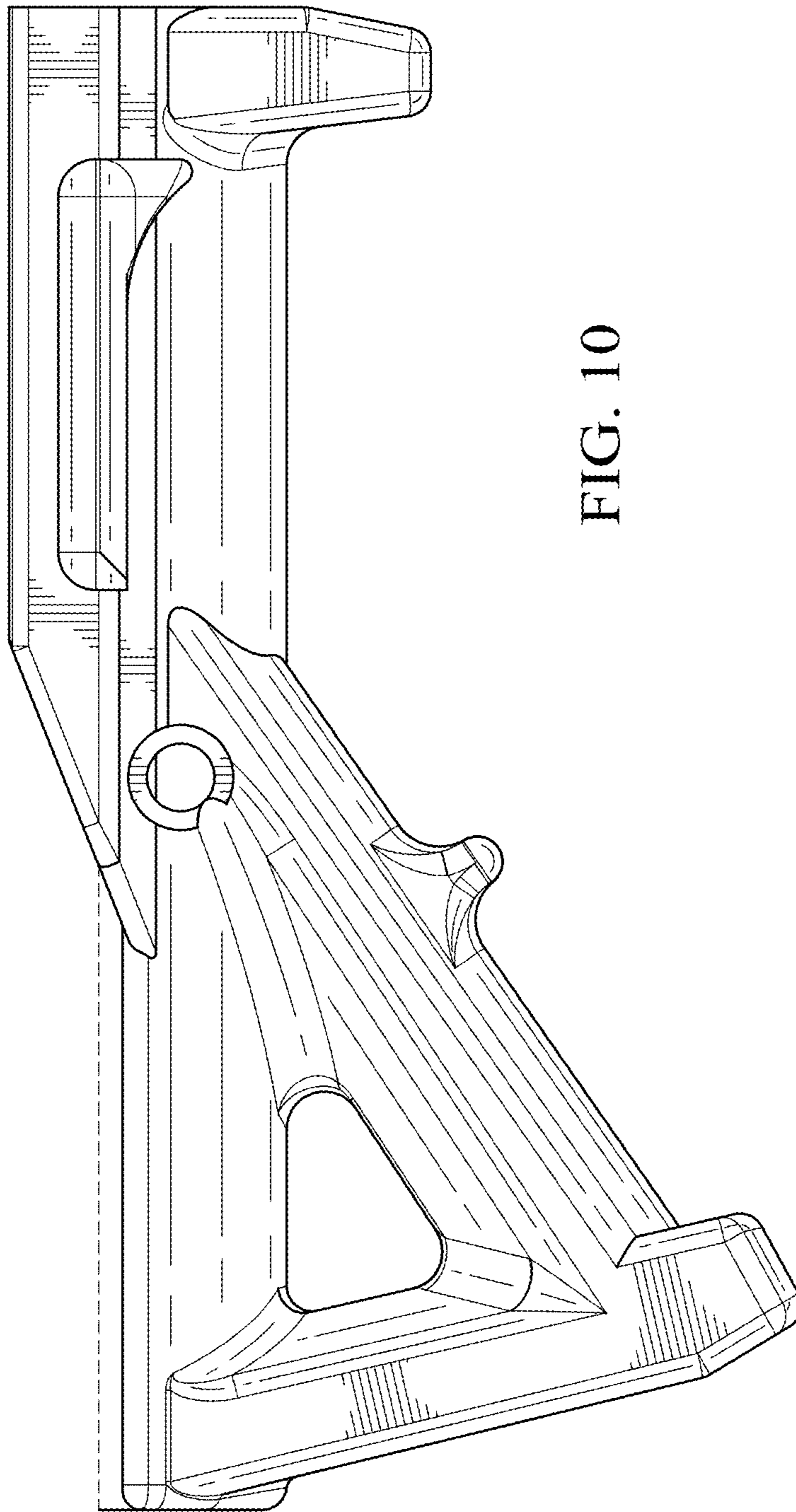


FIG. 10

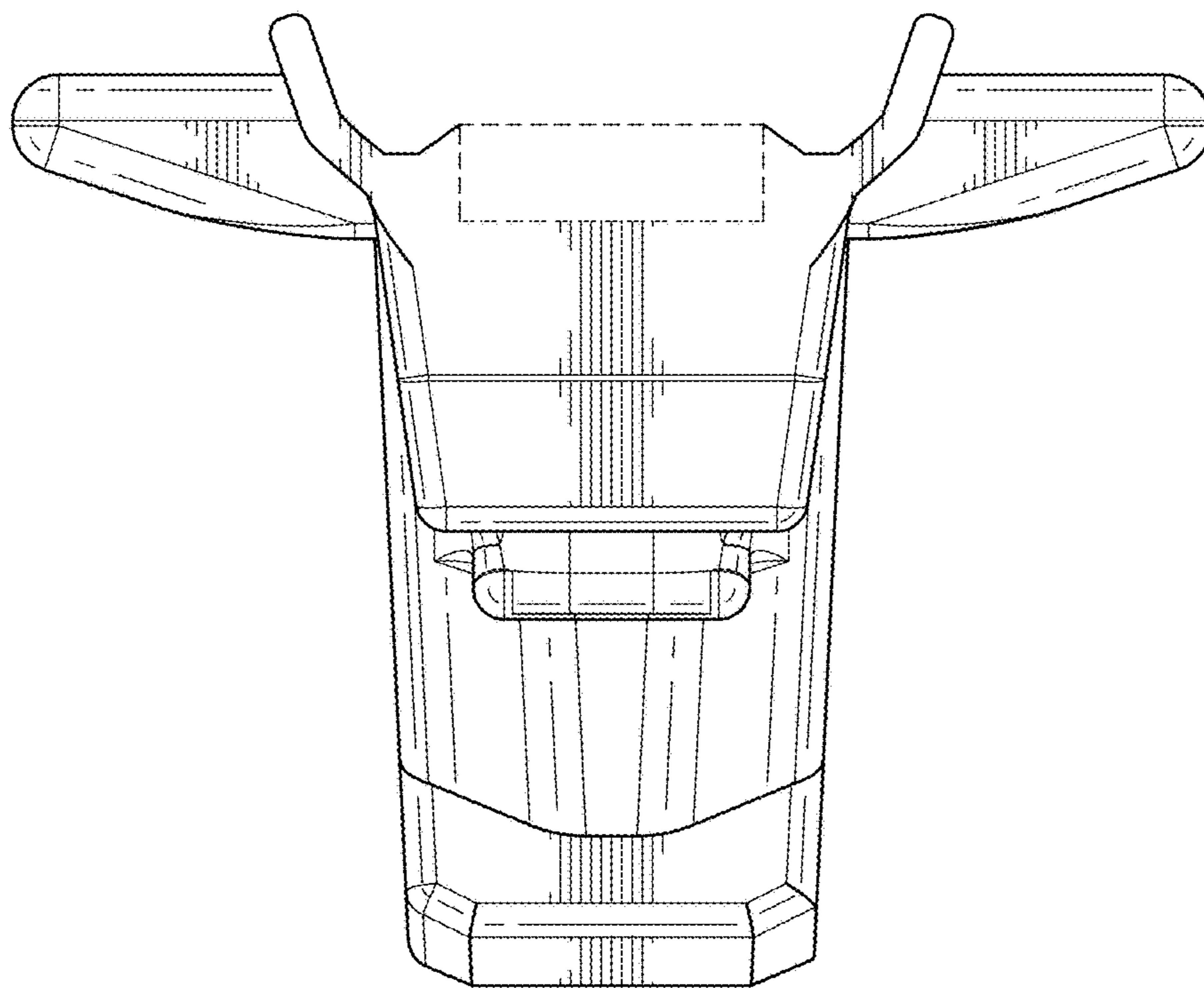


FIG. 11

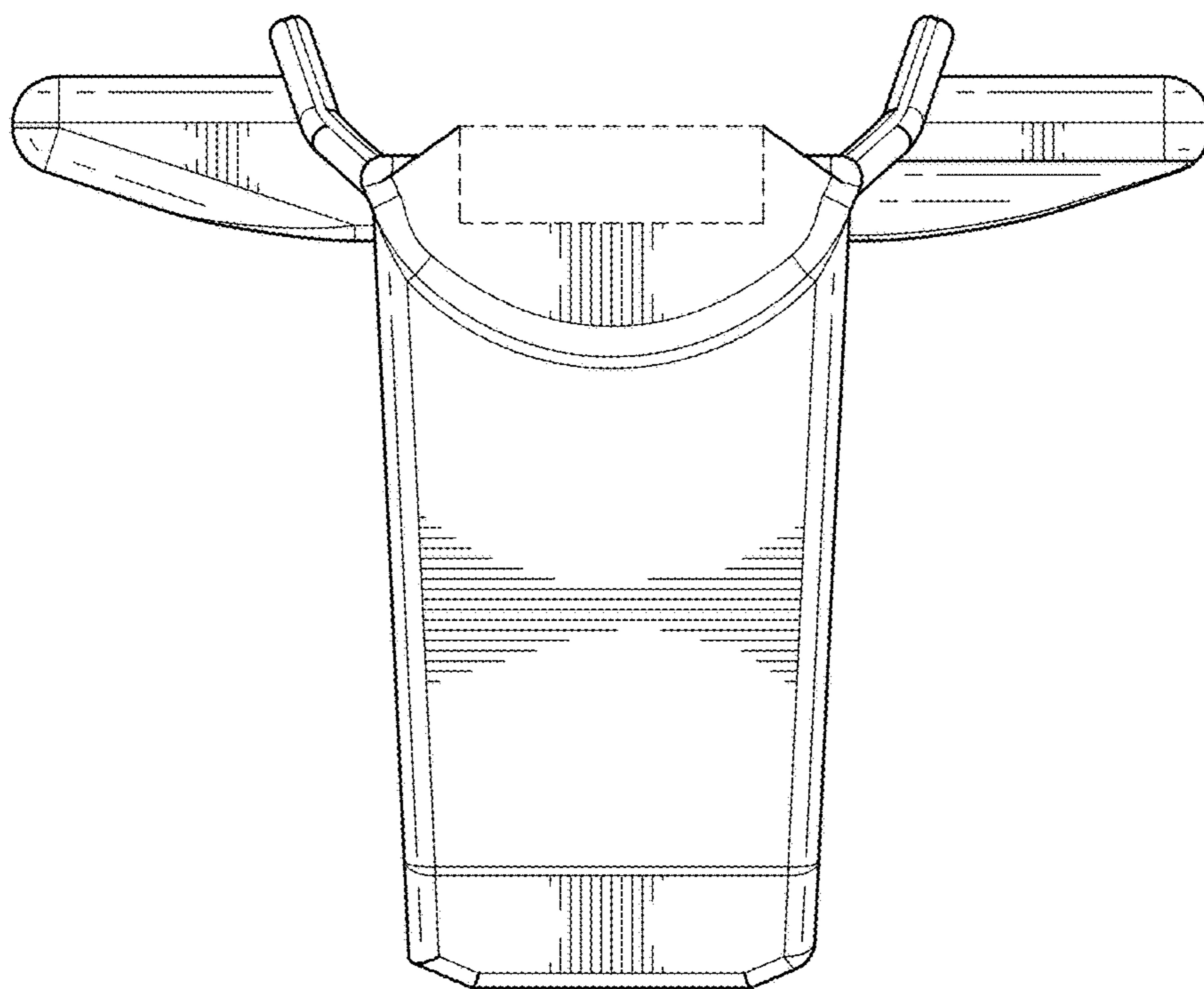


FIG. 12

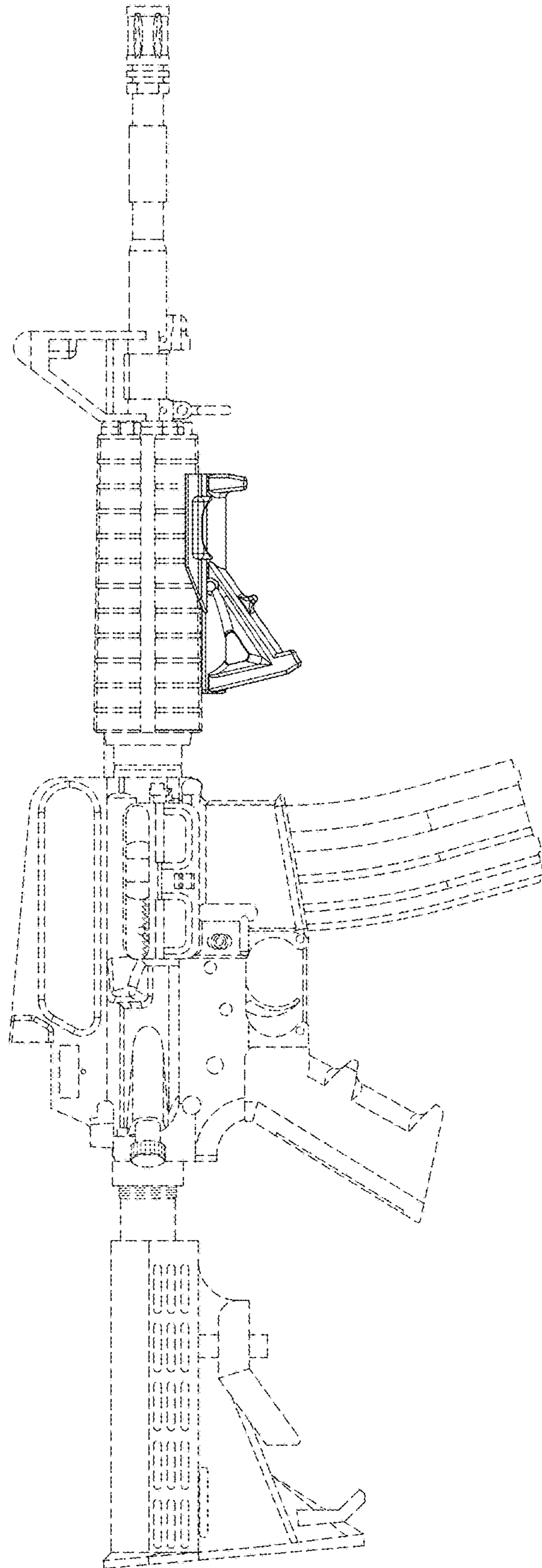


FIG. 13