



US00D803967S

(12) **United States Design Patent** (10) **Patent No.:** **US D803,967 S**  
**Saadon** (45) **Date of Patent:** **\*\* Nov. 28, 2017**

- (54) **ANGLED GRIP**
- (71) Applicant: **FXD, LLC**, Austin, TX (US)
- (72) Inventor: **Marschell B Saadon**, Round Rock, TX (US)
- (73) Assignee: **FXD, LLC**, Austin, TX (US)
- (\*\*) Term: **15 Years**
- (21) Appl. No.: **29/556,376**
- (22) Filed: **Feb. 29, 2016**
- (51) **LOC (10) Cl.** ..... **22-01**
- (52) **U.S. Cl.**  
USPC ..... **D22/108**
- (58) **Field of Classification Search**  
USPC ..... 42/90, 94, 114, 117, 124, 125, 126, 127,  
42/131, 146; 362/109, 110, 111, 112,  
362/113, 114; D22/108  
CPC ..... F41C 23/10; F41C 23/14; F41C 23/16;  
F41C 23/18  
See application file for complete search history.

(56) **References Cited**

**U.S. PATENT DOCUMENTS**

- D643,497 S \* 8/2011 Fitzpatrick ..... D22/108
- D665,043 S \* 8/2012 Fitzpatrick ..... D22/108
- D745,629 S \* 12/2015 Barfoot ..... D22/108

**OTHER PUBLICATIONS**

Midway USA, Magpul AFG2 Angled Forend Grip AR-15 Polymer, Publication Date Unknown, [site visited Jan. 4, 2017], Available on

the Internet URL:<<http://www.midwayusa.com/product/2319453274/magpul-afg2-angled-forend-grip-ar-15-polymer>>.\*

\* cited by examiner

*Primary Examiner* — Susan Bennett Hattan  
*Assistant Examiner* — S. Bryan Reinholdt, Jr.

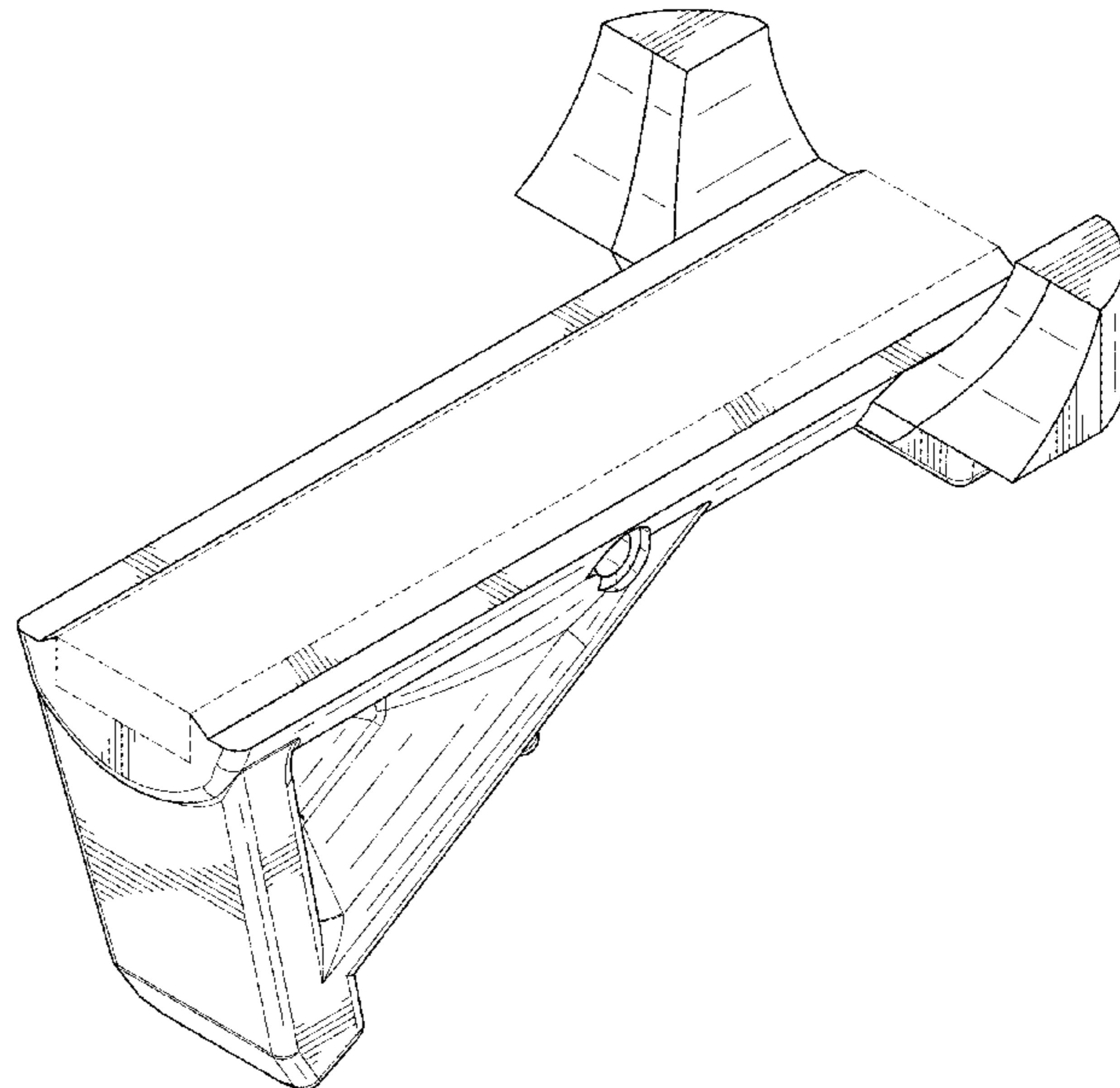
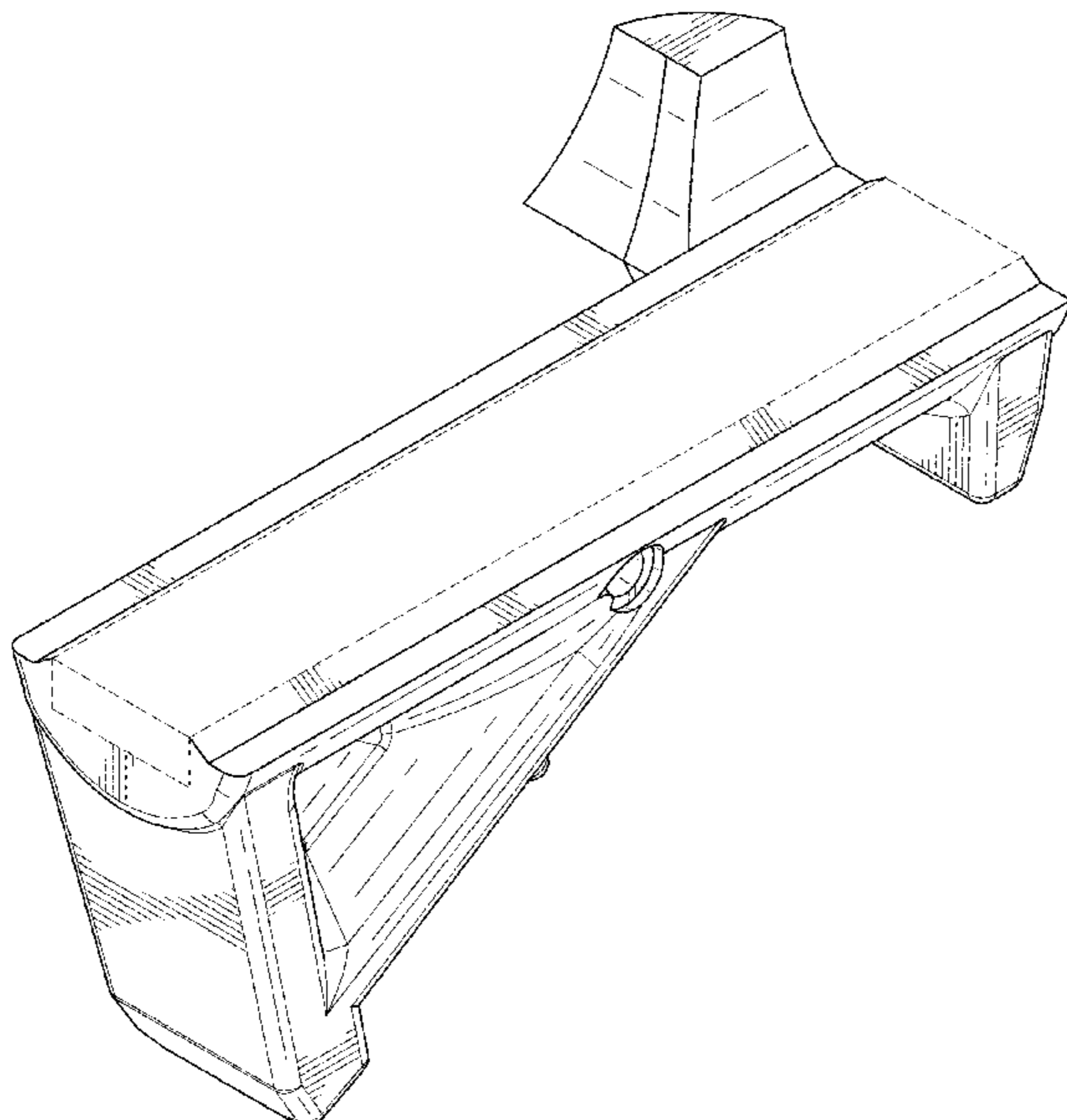
(57) **CLAIM**

The ornamental design for an angled grip, as shown and described.

**DESCRIPTION**

FIG. 1 includes a perspective view of a first embodiment of an angled grip.  
 FIG. 2 includes another perspective view thereof.  
 FIG. 3 includes a first side view thereof.  
 FIG. 4 includes a second side view thereof.  
 FIG. 5 includes a front view thereof.  
 FIG. 6 includes a back view thereof.  
 FIG. 7 includes a perspective view of a second embodiment of an angled grip.  
 FIG. 8 includes another perspective view thereof.  
 FIG. 9 includes a side view thereof.  
 FIG. 10 includes a front view thereof.  
 FIG. 11 includes a back view thereof; and,  
 FIG. 12 includes a side view of a firearm with an angled grip. The broken lines in the figures are included for the purpose of illustrating contextual attachment points and forms no part of the claimed design. FIG. 12 is provided for environmental context and does not form part of the claimed design.

**1 Claim, 10 Drawing Sheets**



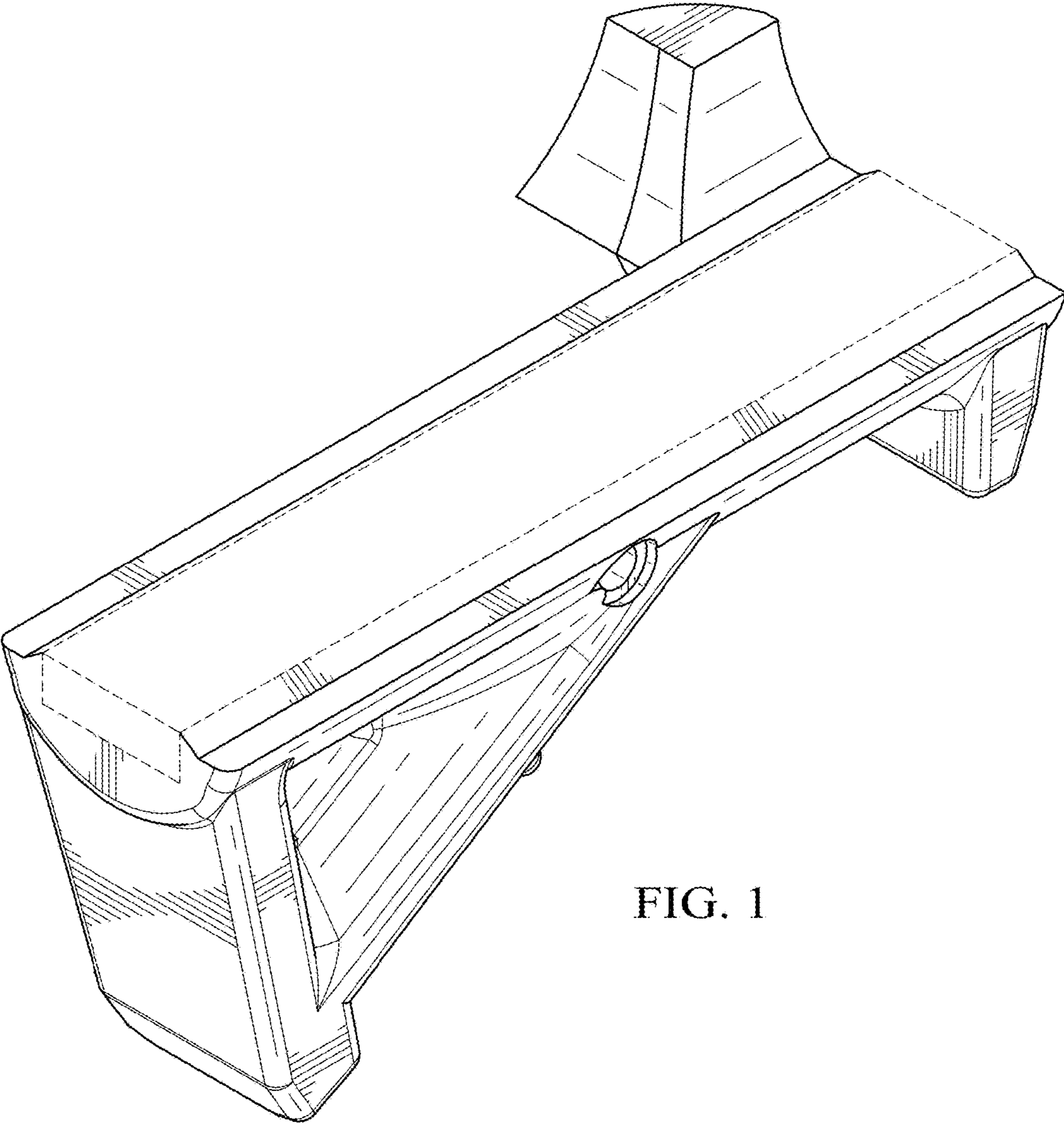


FIG. 1

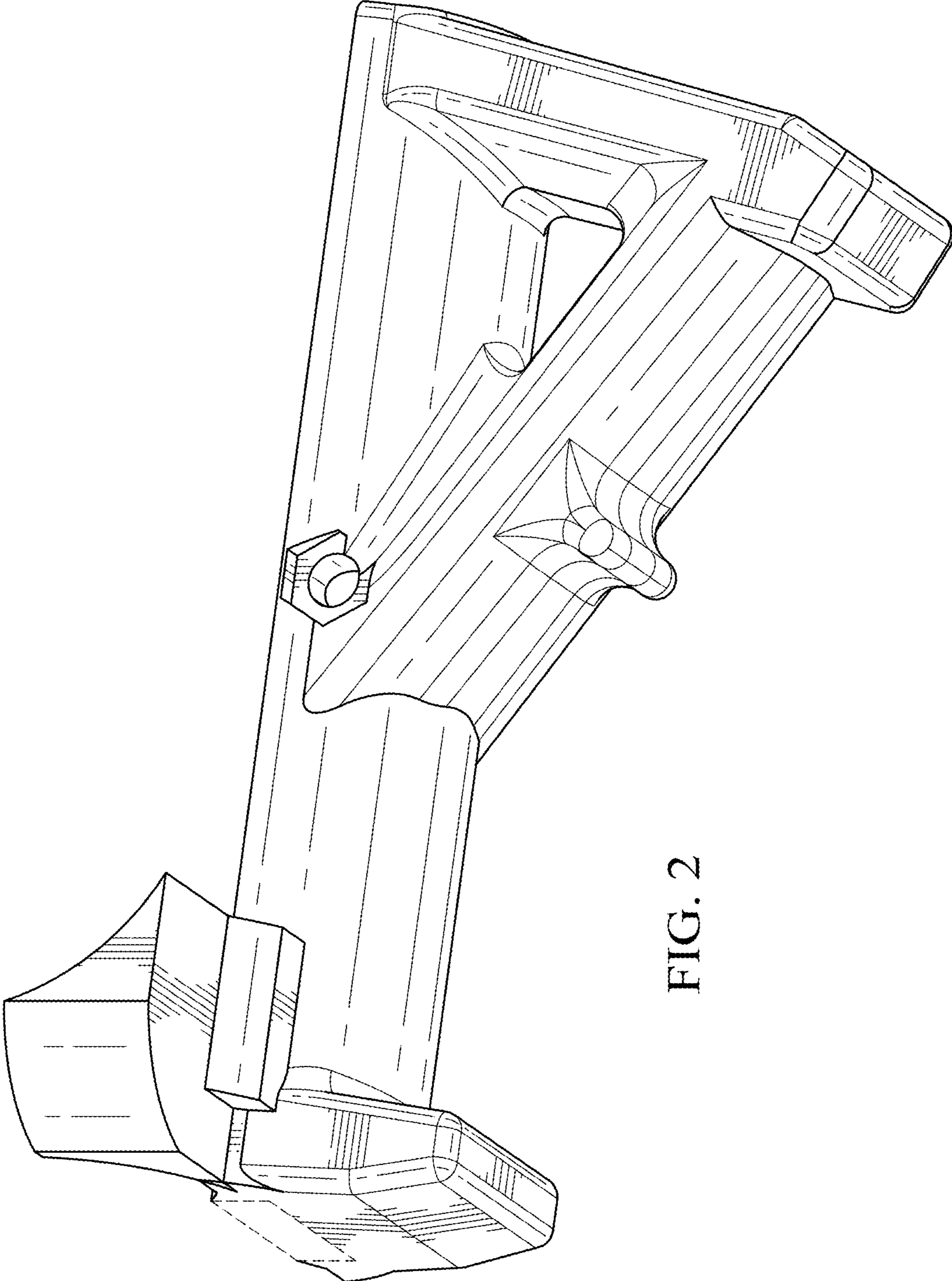


FIG. 2



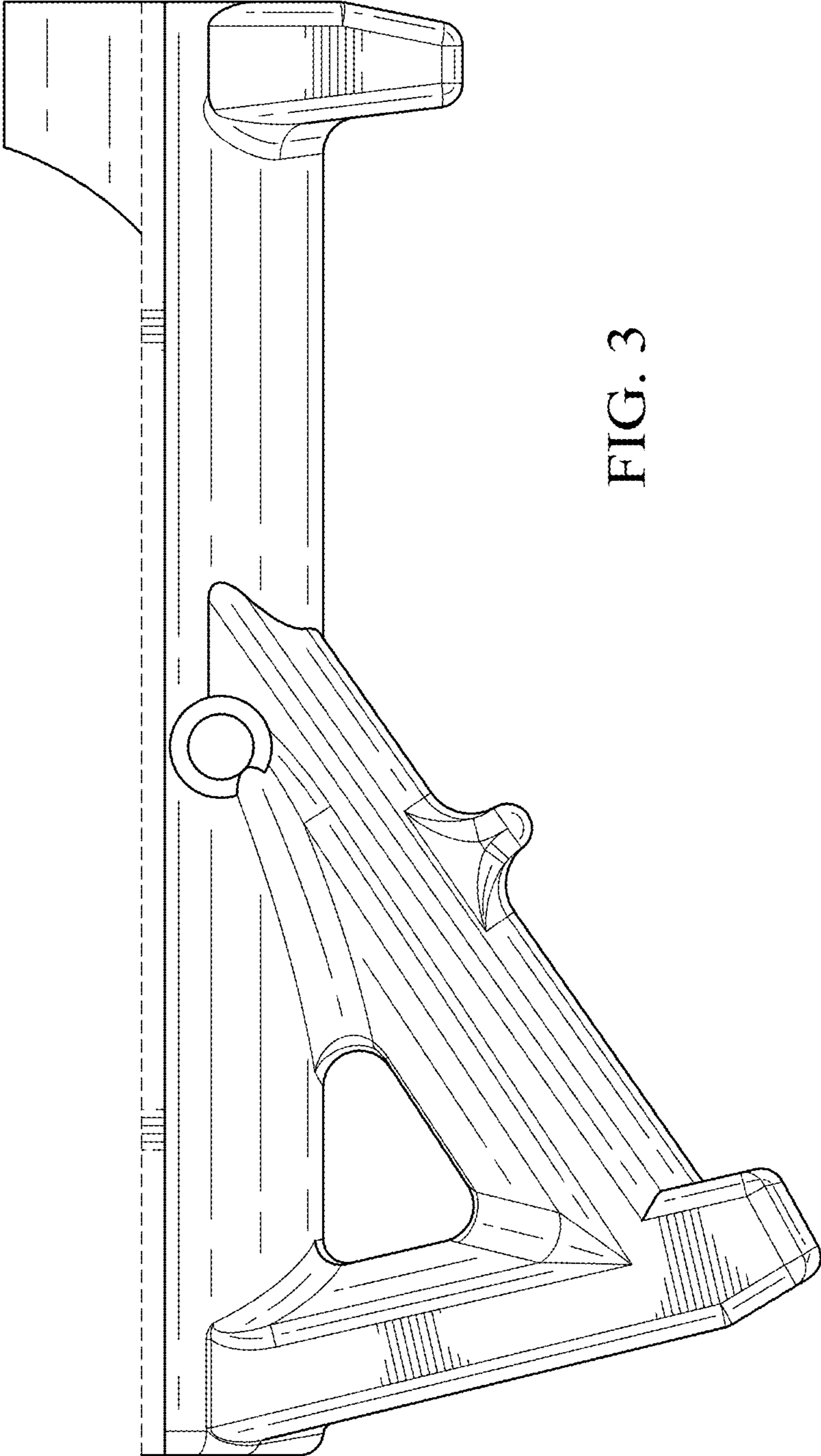


FIG. 3

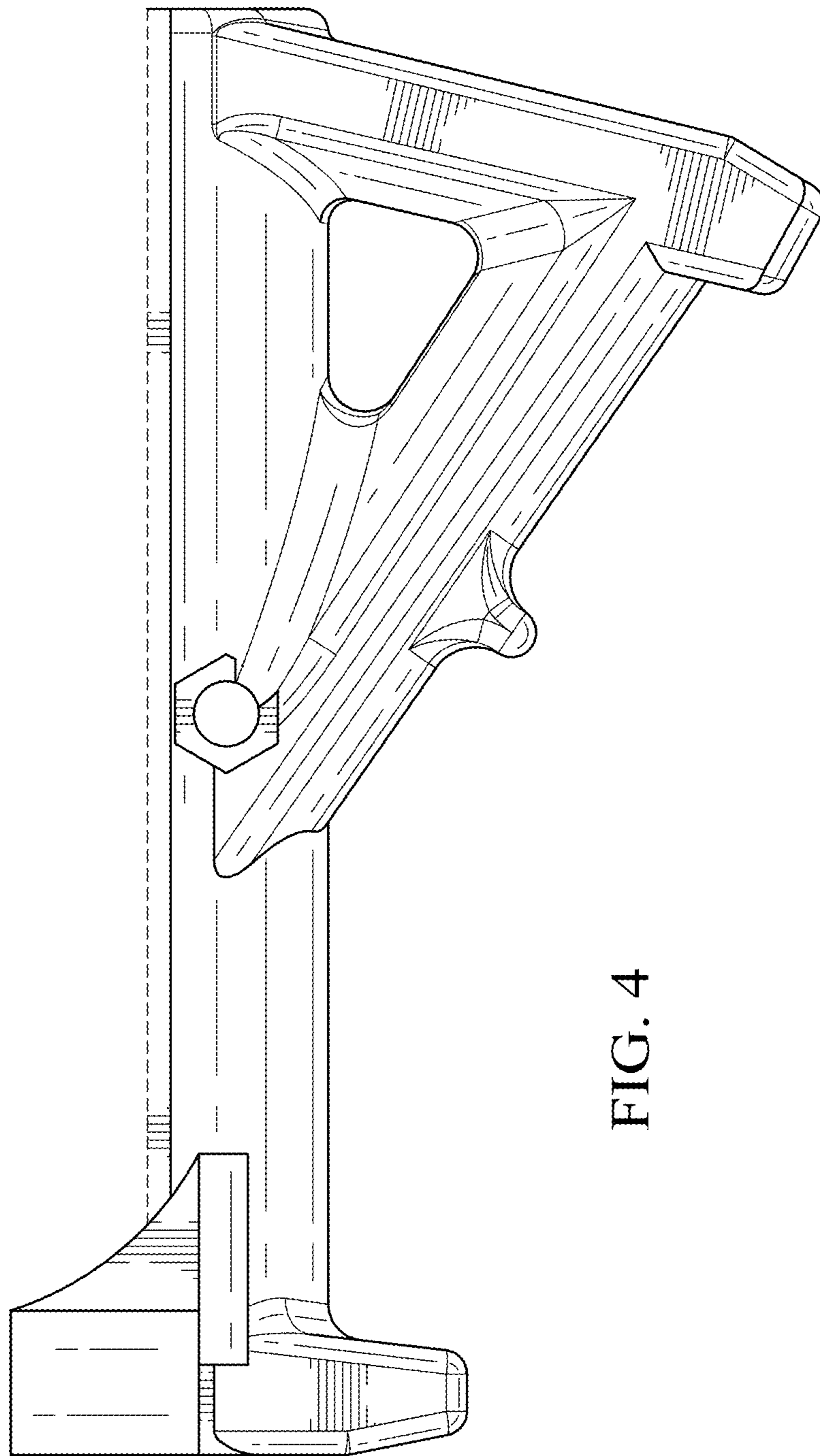


FIG. 4

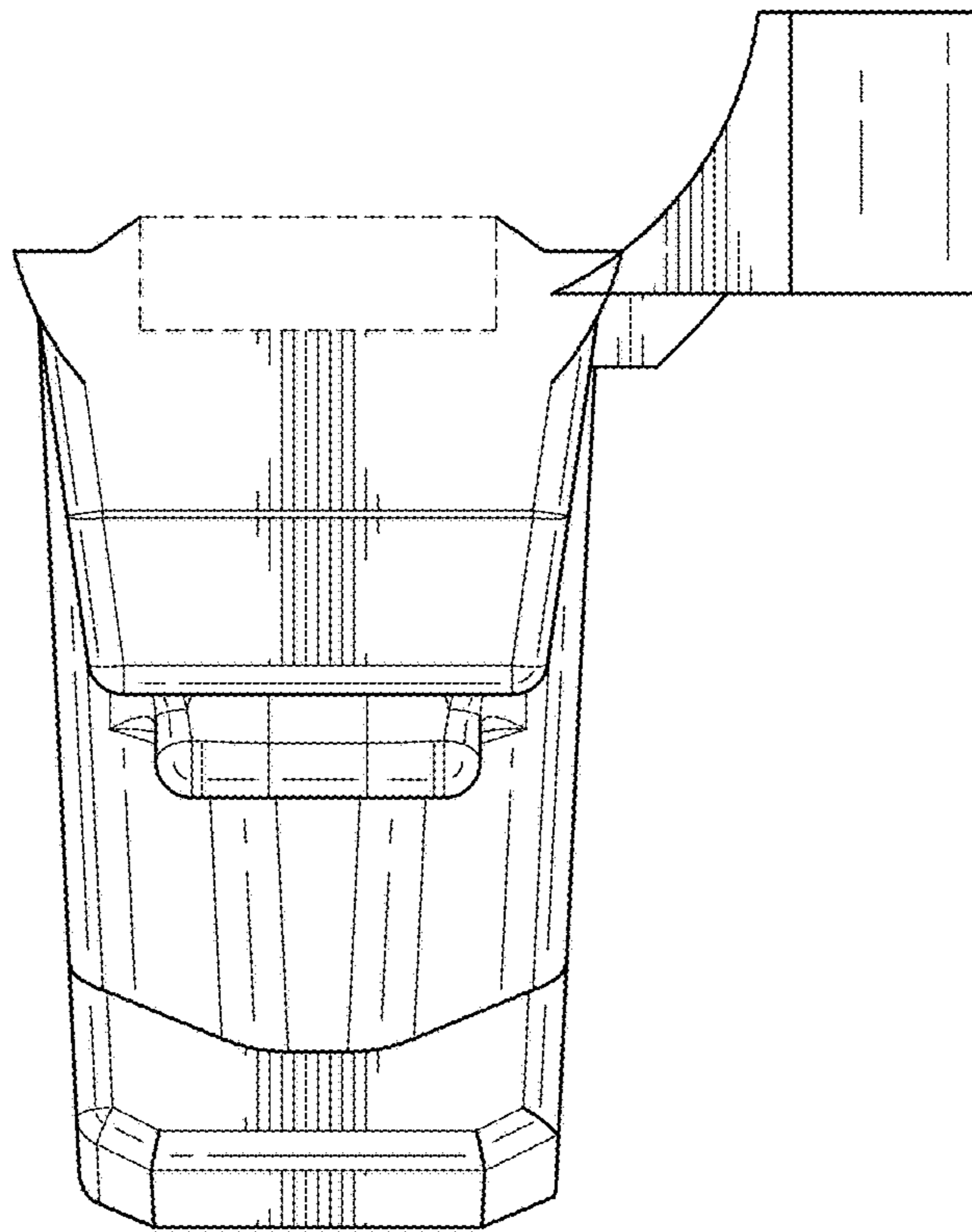


FIG. 5

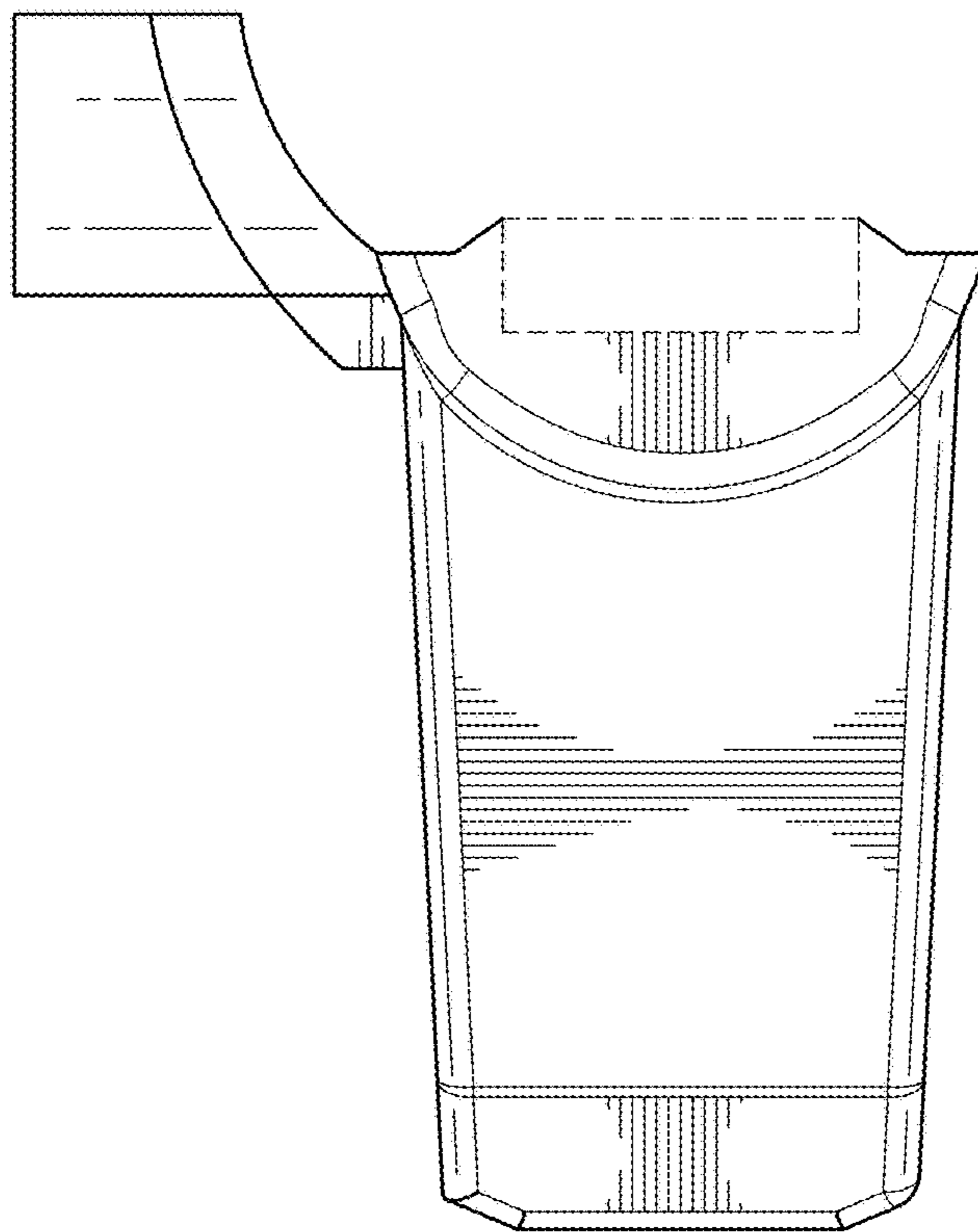


FIG. 6

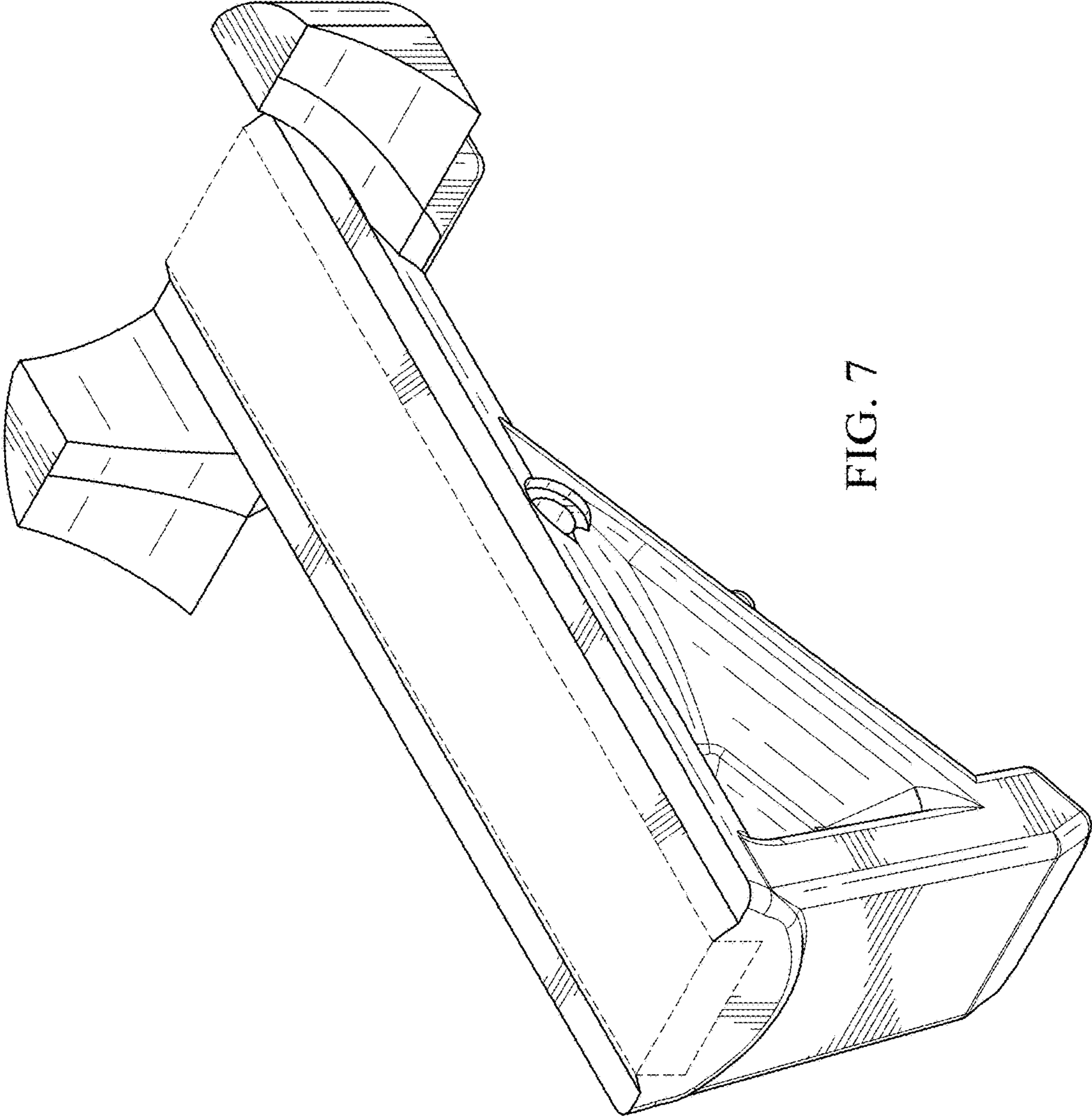


FIG. 7

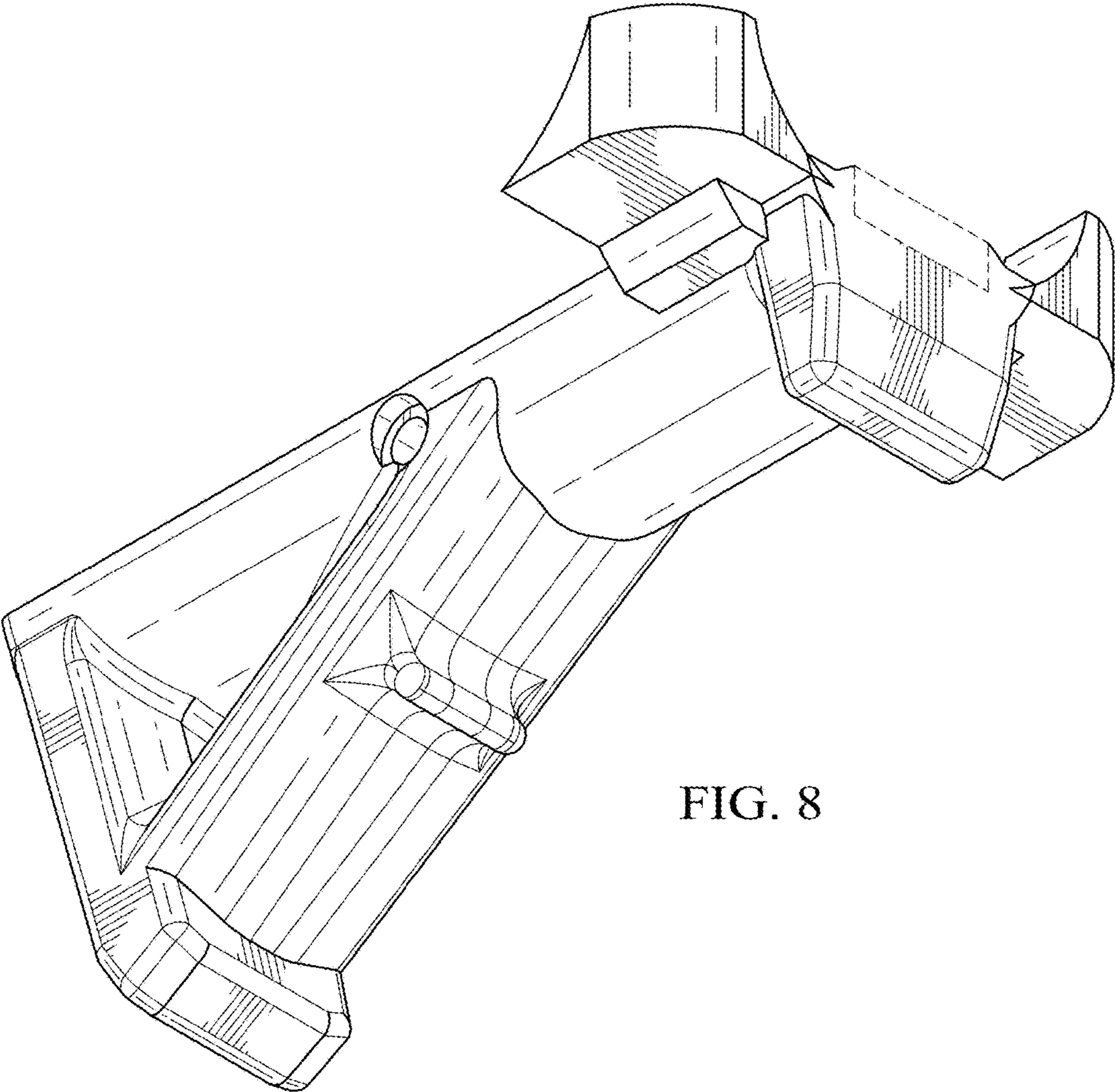


FIG. 8



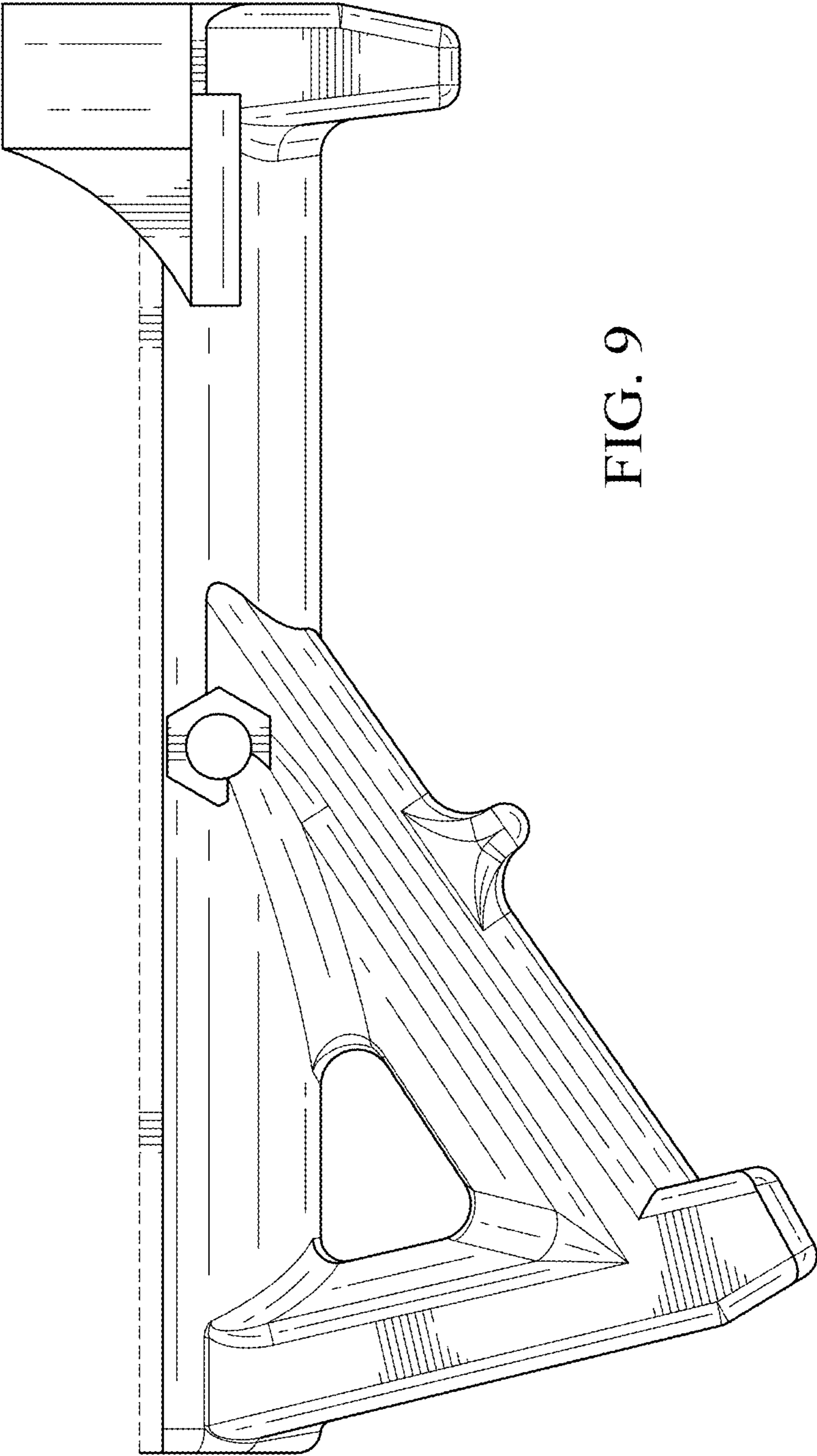


FIG. 9

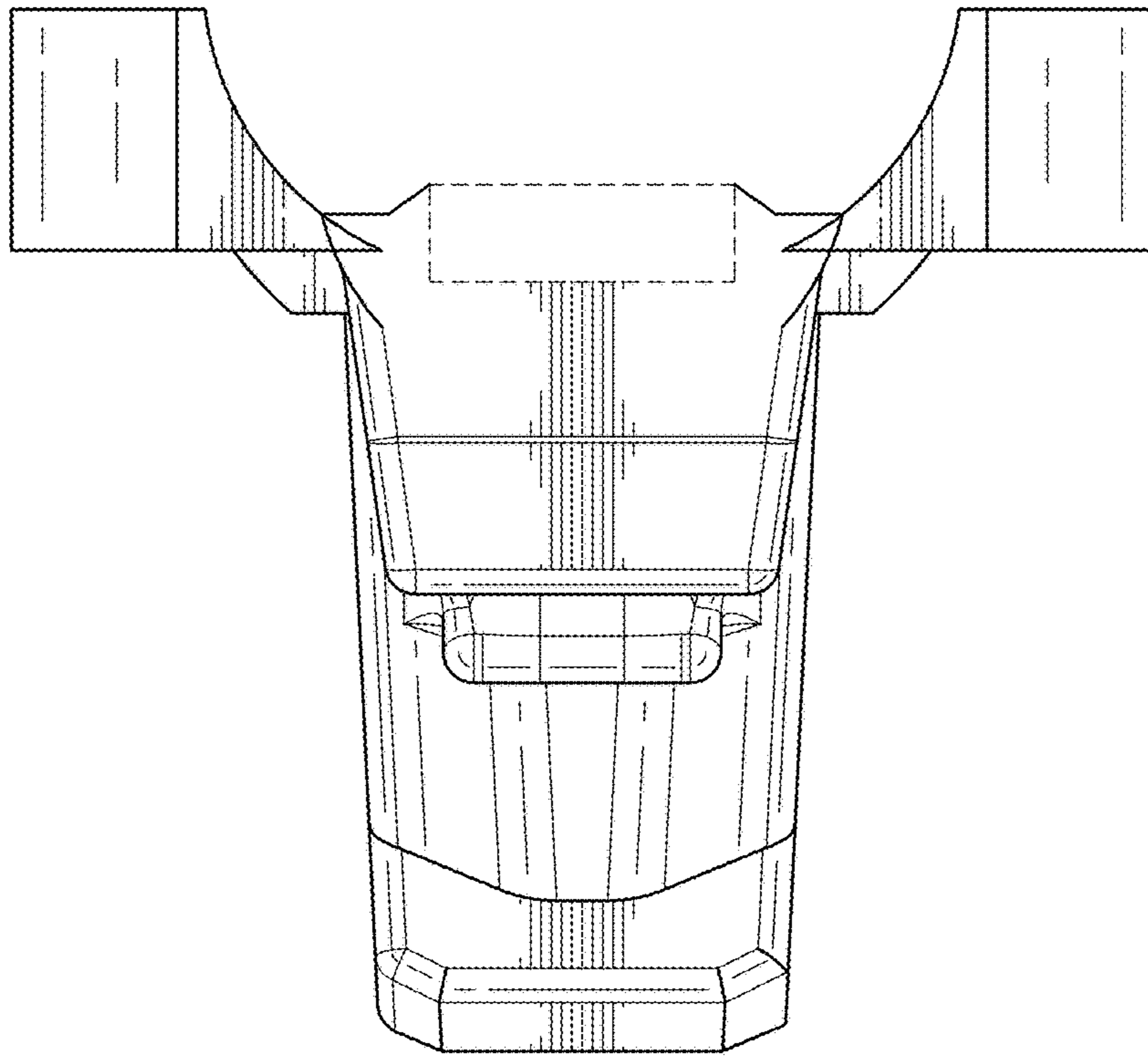


FIG. 10

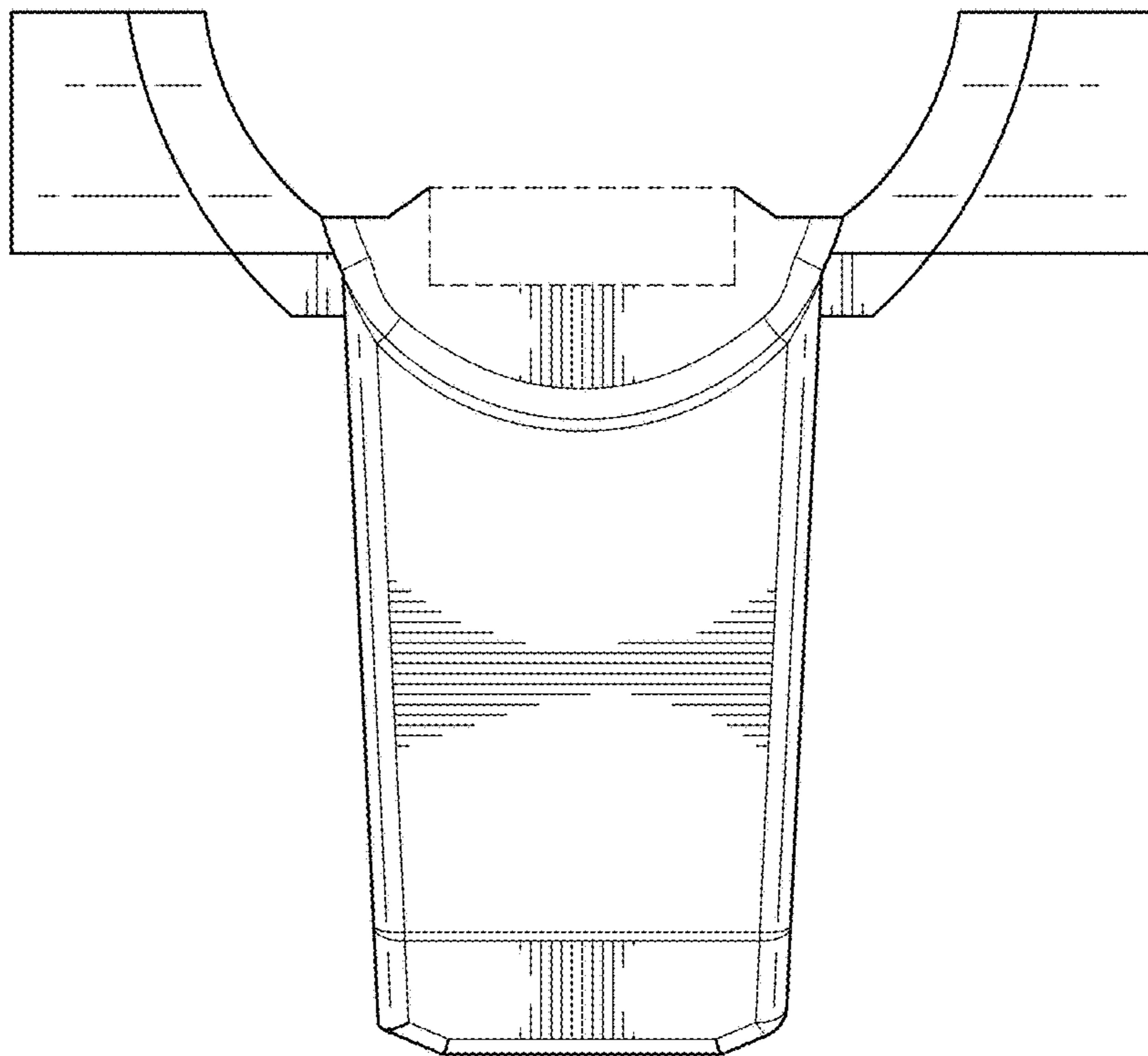


FIG. 11

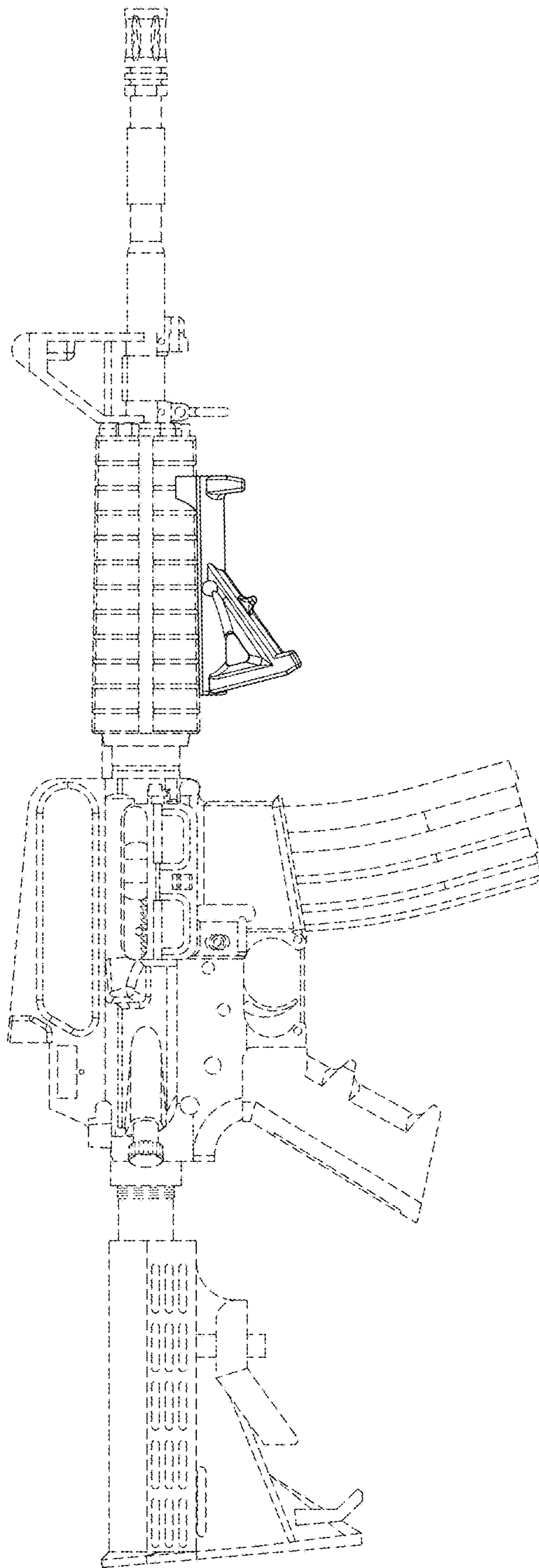


FIG. 12