



US00D803961S

(12) **United States Design Patent**
Tang

(10) **Patent No.:** **US D803,961 S**

(45) **Date of Patent:** **** *Nov. 28, 2017**

- (54) **GOLF CLUB HEAD**
- (71) Applicant: **CALLAWAY GOLF COMPANY**,
Carlsbad, CA (US)
- (72) Inventor: **Larry Tang**, Carlsbad, CA (US)
- (73) Assignee: **Callaway Golf Company**, Carlsbad,
CA (US)
- (*) Notice: This patent is subject to a terminal dis-
claimer.
- (**) Term: **15 Years**

D537,894 S *	3/2007	Cleveland	D21/747
D556,278 S *	11/2007	Mahaffey	D21/747
D563,497 S *	3/2008	Mahaffey	D21/747
D593,627 S *	6/2009	Kim	D21/747
D620,063 S *	7/2010	Llewellyn	D21/759
D643,081 S *	8/2011	Roach	D21/759
D652,093 S *	1/2012	Foster	D21/747
D663,369 S *	7/2012	Foster	D21/749
D691,685 S *	10/2013	Cyrulik	D21/759
D704,290 S *	5/2014	Cardani	D21/759
D707,772 S *	6/2014	Oldknow	D21/759
D762,794 S *	8/2016	Wieland	D21/759
D776,772 S *	1/2017	Foster	D21/759
D786,990 S *	5/2017	Tang	D21/759

* cited by examiner

- (21) Appl. No.: **29/572,150**
- (22) Filed: **Jul. 25, 2016**
- (51) **LOC (10) Cl.** **21-02**
- (52) **U.S. Cl.**
USPC **D21/759**
- (58) **Field of Classification Search**
USPC D21/747-751, 759
CPC A63B 53/00; A63B 53/04; A63B 53/047;
A63B 53/0475; A63B 2053/0479; A63B
2053/0483; A63B 2053/0445
See application file for complete search history.

Primary Examiner — Mitchell Siegel
(74) *Attorney, Agent, or Firm* — Rebecca Hanovice;
Michael Catania; Sonia Lari

(57) **CLAIM**

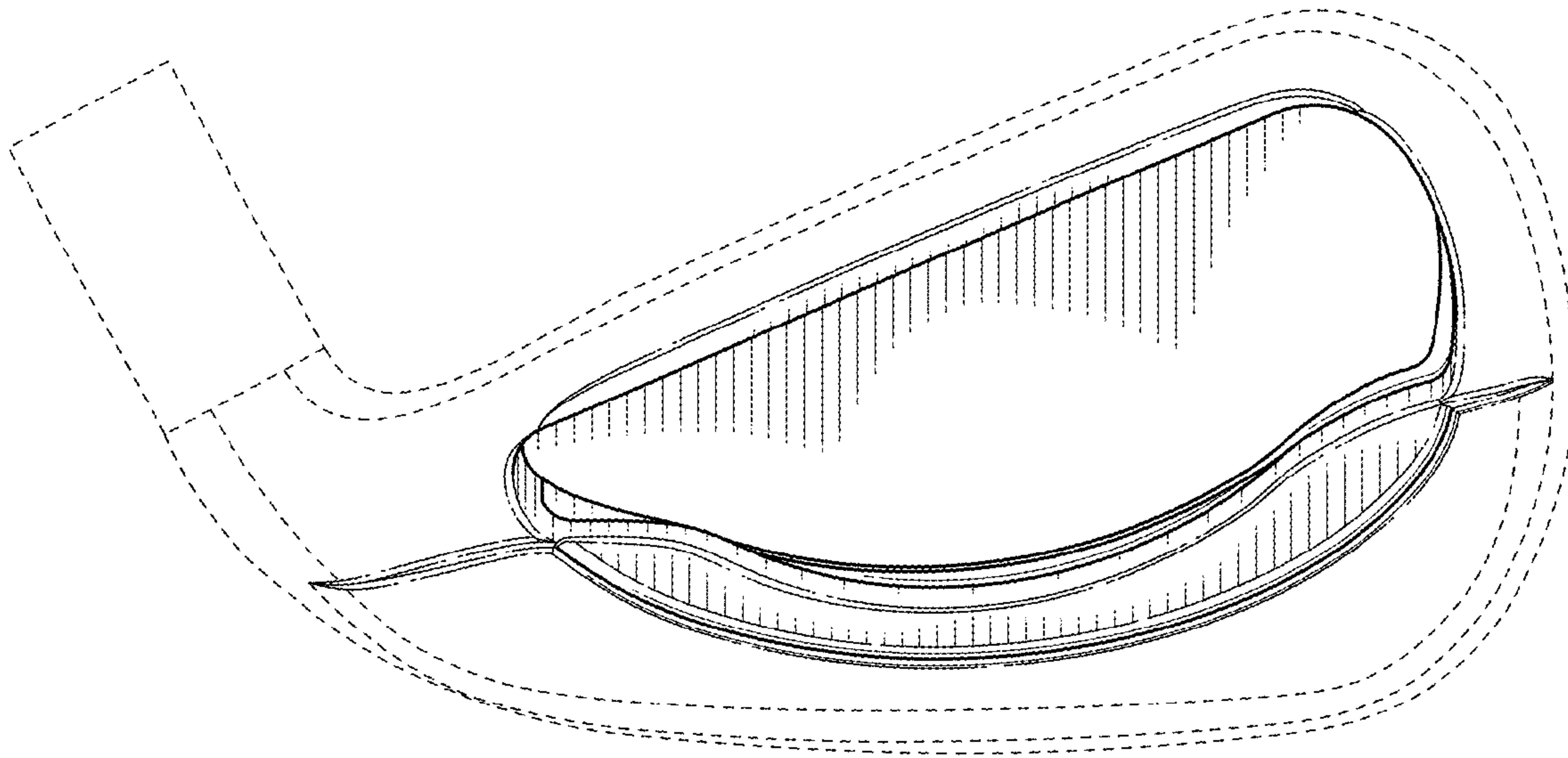
The ornamental design for a golf club head, as shown and described.

DESCRIPTION

FIG. 1 is a rear perspective view of the golf club head as claimed herein;
FIG. 2 is a front elevational view thereof;
FIG. 3 is a rear elevational view thereof;
FIG. 4 is a left side elevational view thereof;
FIG. 5 is a right side elevational view thereof;
FIG. 6 is a top plan view thereof; and,
FIG. 7 is a bottom plan view thereof.
The broken lines are included for the purpose of illustration and form no part of the claimed design.

- (56) **References Cited**
U.S. PATENT DOCUMENTS
D496,419 S * 9/2004 Lang D21/747
D498,277 S * 11/2004 Lang D21/747
D501,035 S * 1/2005 Wahl D21/747
D507,816 S * 7/2005 Lang D21/759
D512,757 S * 12/2005 Cleveland D21/747
D533,245 S * 12/2006 Cleveland D21/747

1 Claim, 3 Drawing Sheets



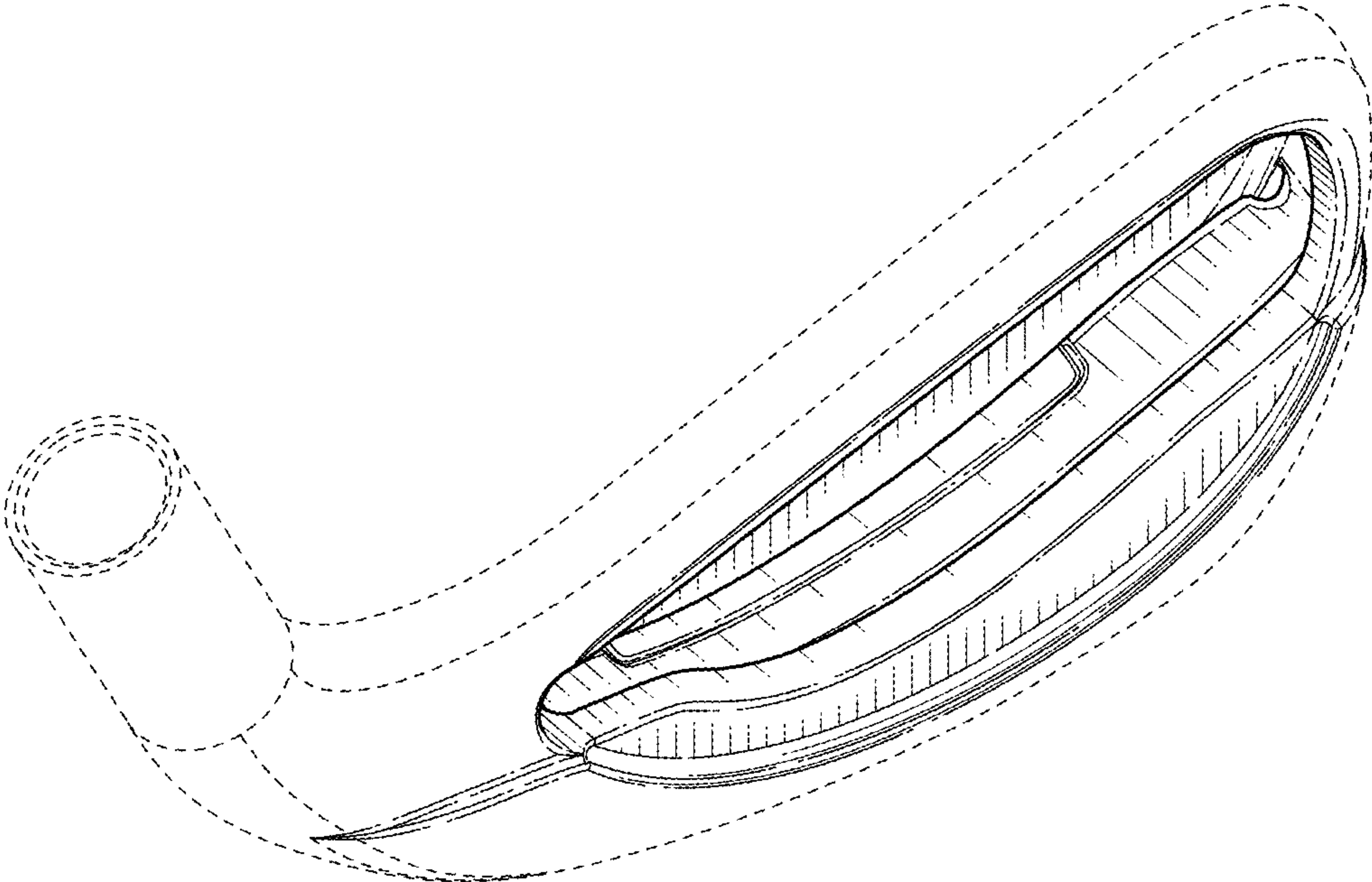


FIG. 1

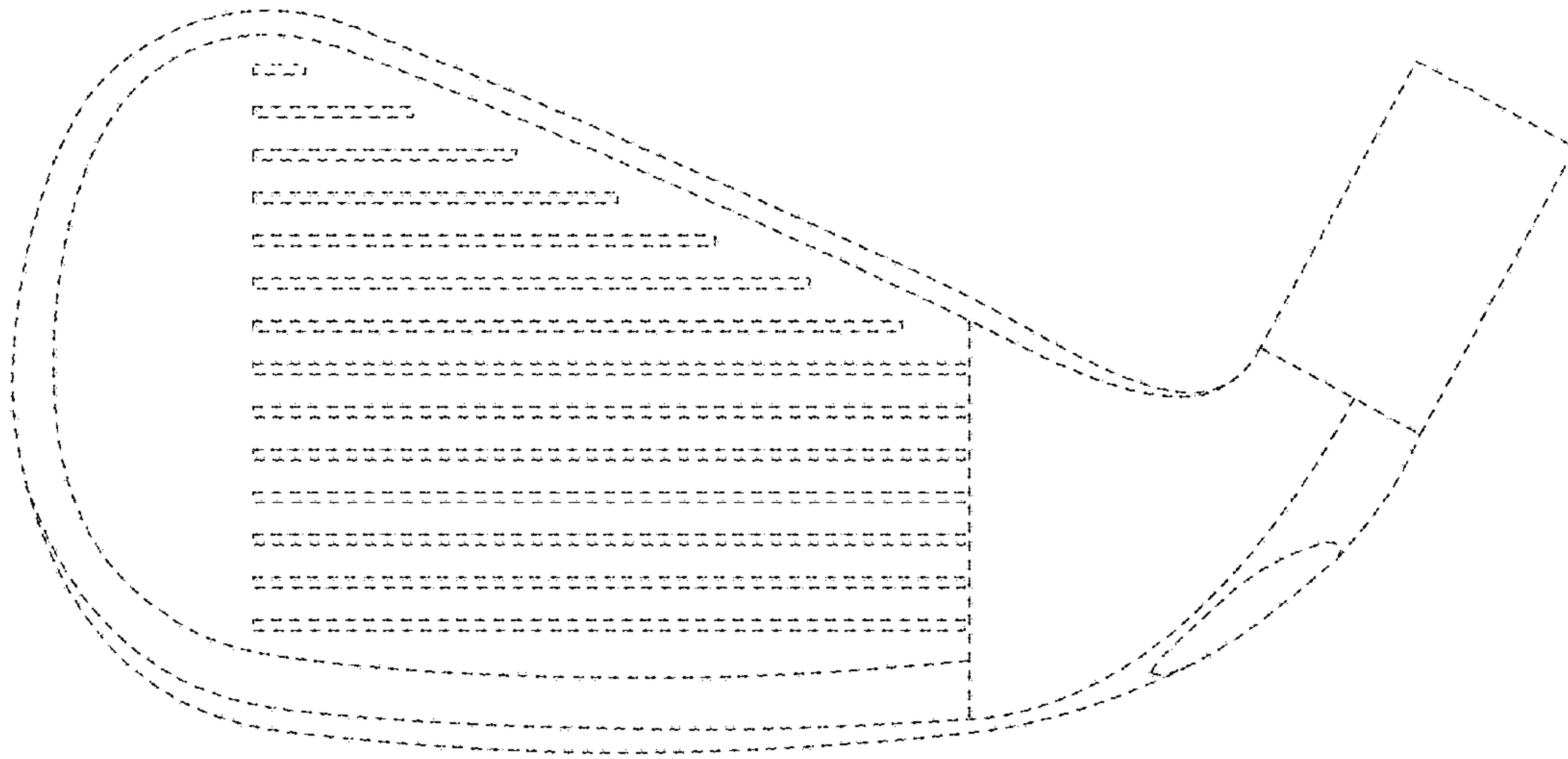


FIG. 2

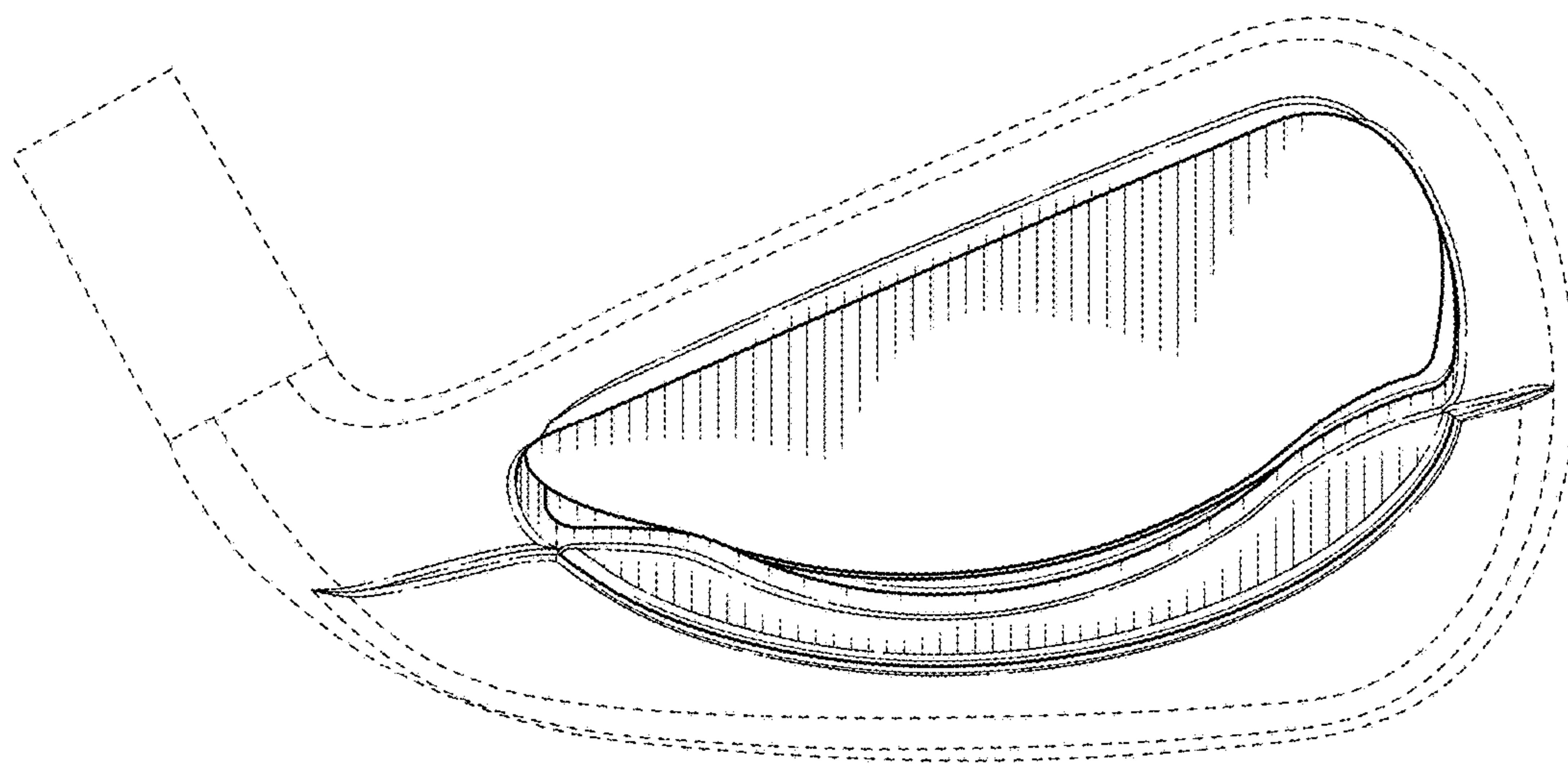


FIG. 3

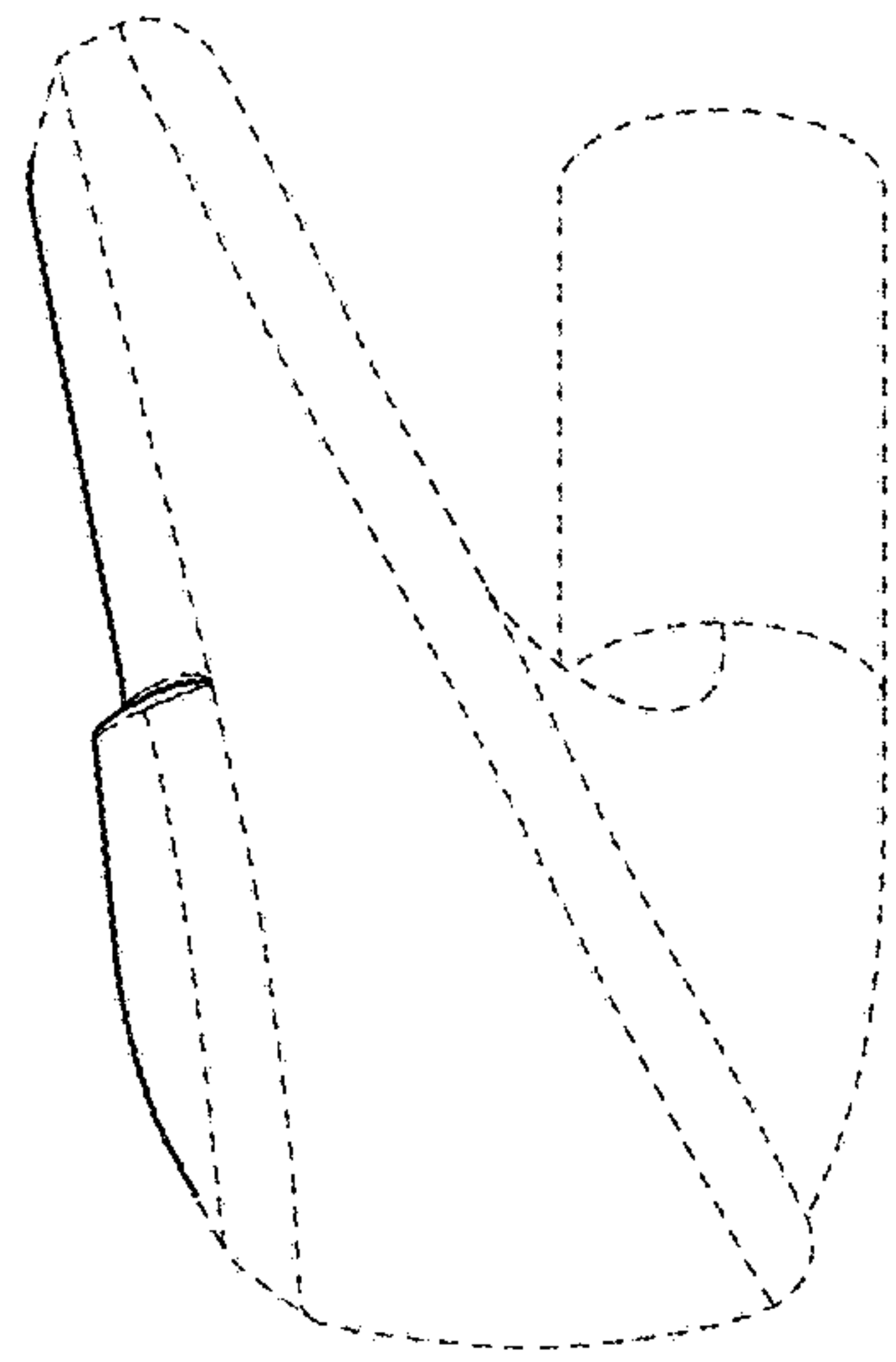


FIG. 4

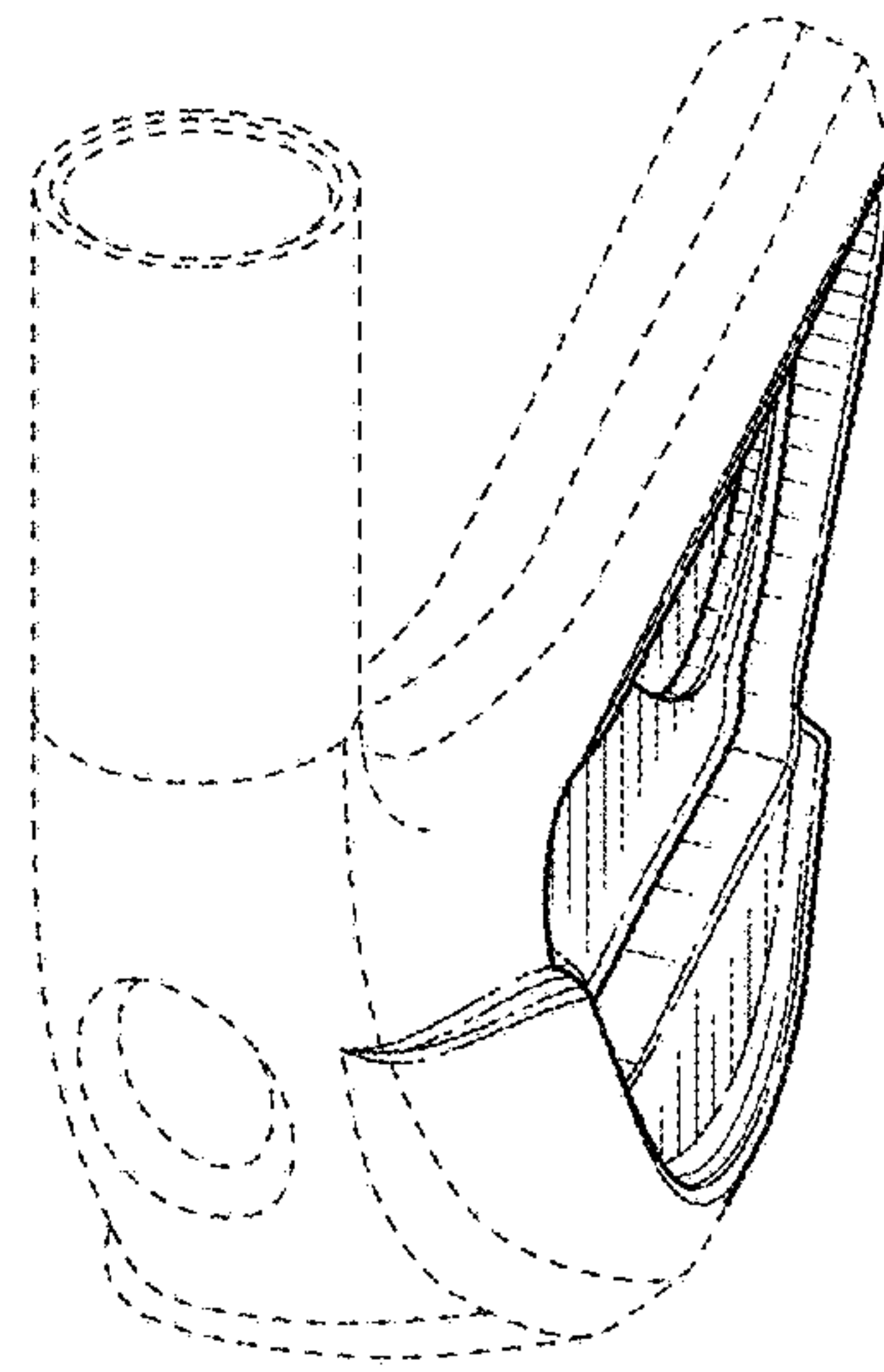


FIG. 5

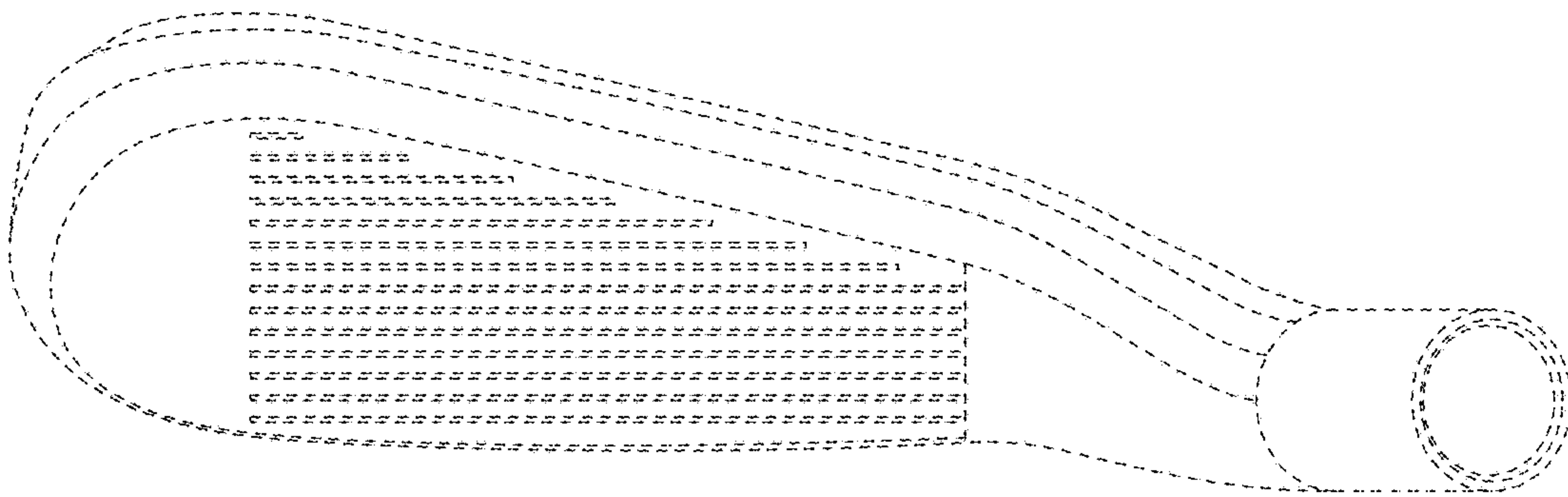


FIG. 6

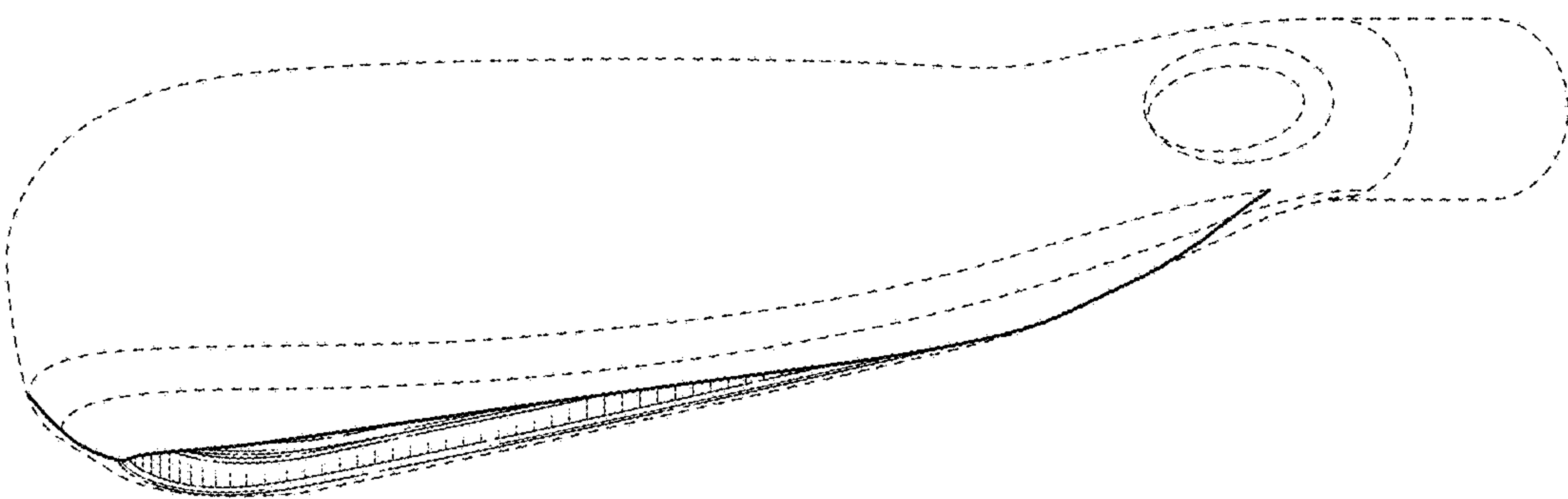


FIG. 7