



US00D803960S

(12) **United States Design Patent**
Hebreo et al.

(10) **Patent No.:** **US D803,960 S**

(45) **Date of Patent:** **** Nov. 28, 2017**

(54) **IRON GOLF CLUB HEAD**

(71) Applicant: **Acushnet Company**, Fairhaven, MA
(US)

(72) Inventors: **Jonathan Hebreo**, San Diego, CA
(US); **Kevin J. Chun**, Encinitas, CA
(US); **Michael E. Franz**, San Diego,
CA (US)

(73) Assignee: **Acushnet Company**, Fairhaven, MA
(US)

(**) Term: **15 Years**

(21) Appl. No.: **29/576,054**

(22) Filed: **Aug. 31, 2016**

(51) **LOC (10) Cl.** **21-02**

(52) **U.S. Cl.**
USPC **D21/749**

(58) **Field of Classification Search**
USPC D21/747-751
CPC A63B 53/00; A63B 53/04; A63B 53/047;
A63B 53/0475; A63B 2053/0479; A63B
2053/0483; A63B 2053/0445
See application file for complete search history.

(56) **References Cited**

U.S. PATENT DOCUMENTS

D505,466 S * 5/2005 Lang D21/749
6,887,164 B2 * 5/2005 Dewanjee A63B 53/047
473/342

D510,115 S * 9/2005 Lang D21/749
D518,539 S * 4/2006 Cleveland D21/748
7,399,238 B2 * 7/2008 Hocknell 473/342
D680,603 S * 4/2013 Nicolette D21/749
D682,961 S * 5/2013 Llewellyn D21/747
D684,227 S * 6/2013 Roach D21/749
D684,228 S * 6/2013 Breier D21/749
D716,390 S * 10/2014 Wieland D21/759
D725,732 S * 3/2015 Westrum D21/759
D736,875 S * 8/2015 Llewellyn D21/759
D767,695 S * 9/2016 Kitching, Jr. D21/747
D768,249 S * 10/2016 Chun D21/747

* cited by examiner

Primary Examiner — Mitchell I. Siegel

(74) *Attorney, Agent, or Firm* — Randy K. Chang

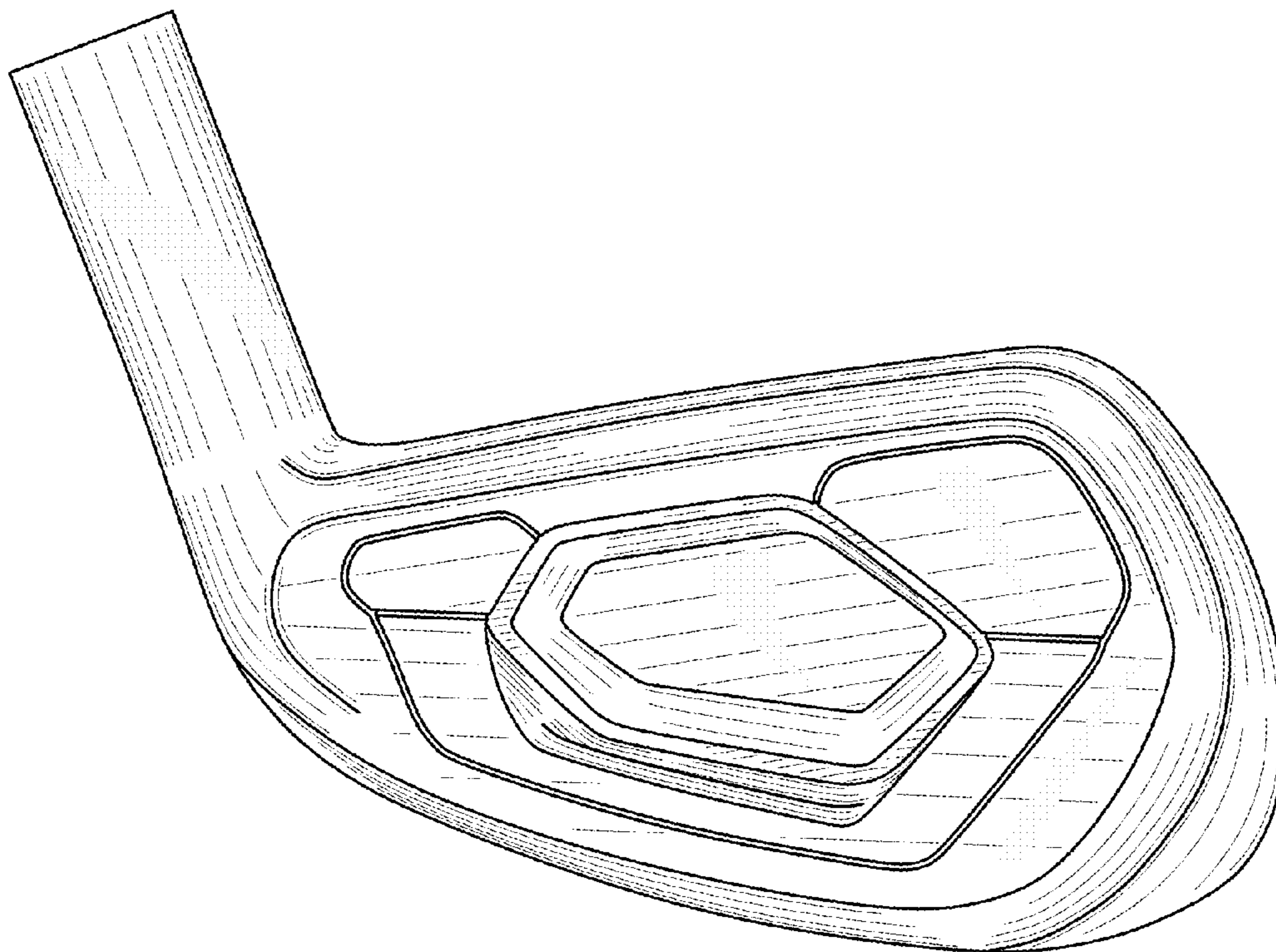
(57) **CLAIM**

The ornamental design for an iron golf club head, as shown and described.

DESCRIPTION

FIG. 1 is a back perspective view of our new iron golf club head;
FIG. 2 is a front view thereof;
FIG. 3 is a top view thereof;
FIG. 4 is a back view thereof;
FIG. 5 is a bottom view thereof;
FIG. 6 is a heel side view thereof; and,
FIG. 7 is a toe side view thereof.
The portion of the golf club head shown in phantom does not form any portion of the present invention.

1 Claim, 3 Drawing Sheets



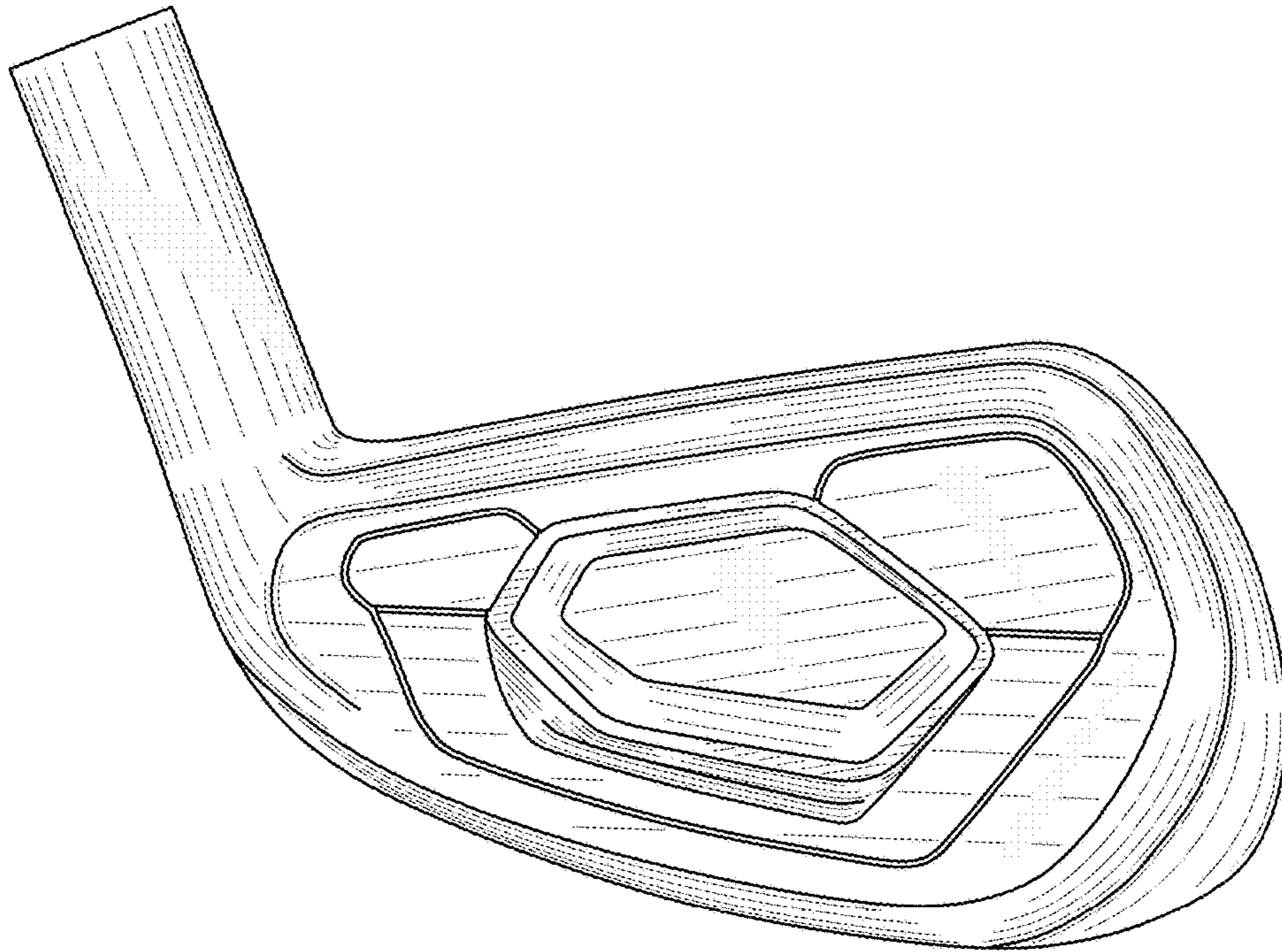


FIG. 1

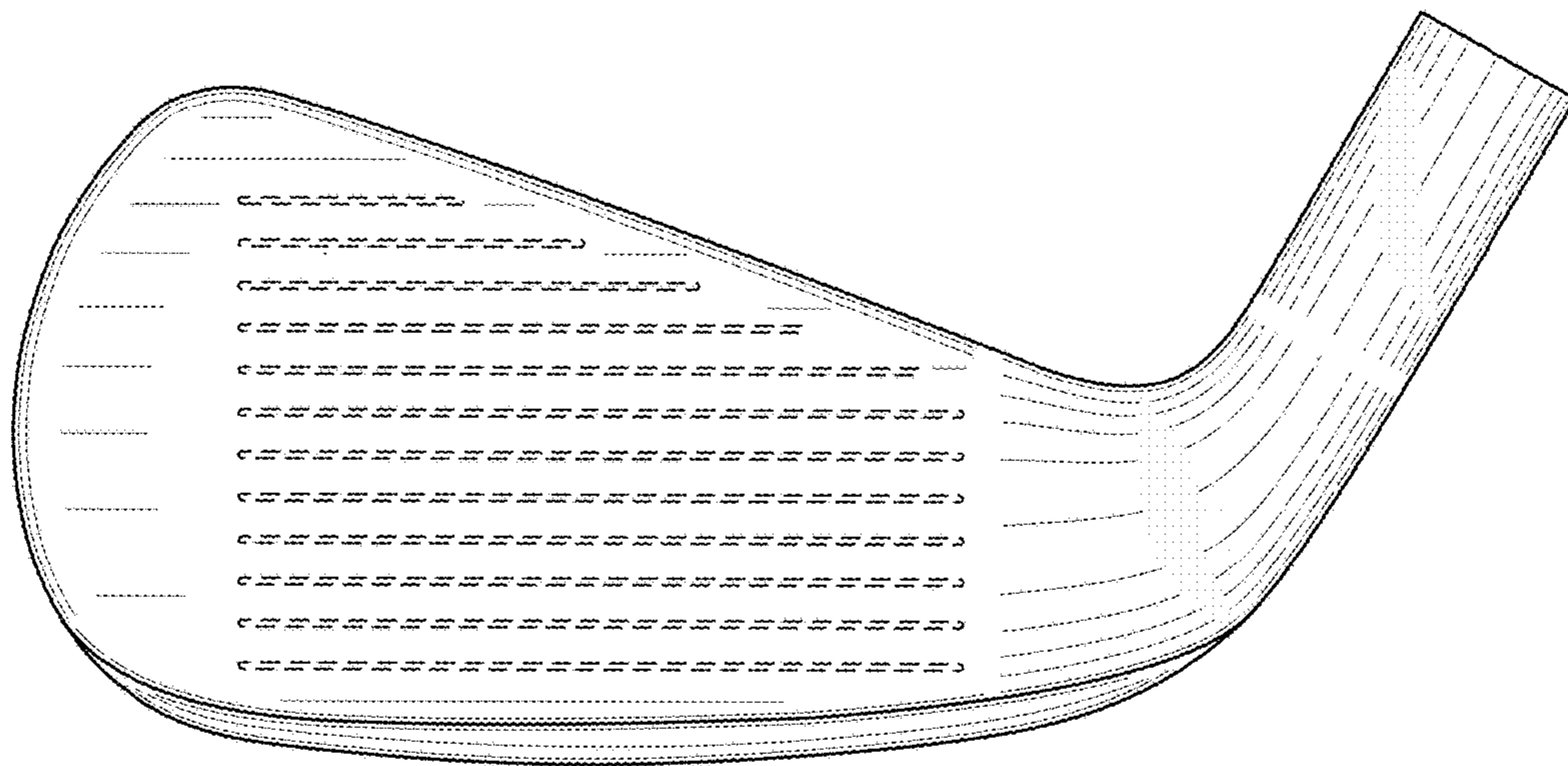


FIG. 2

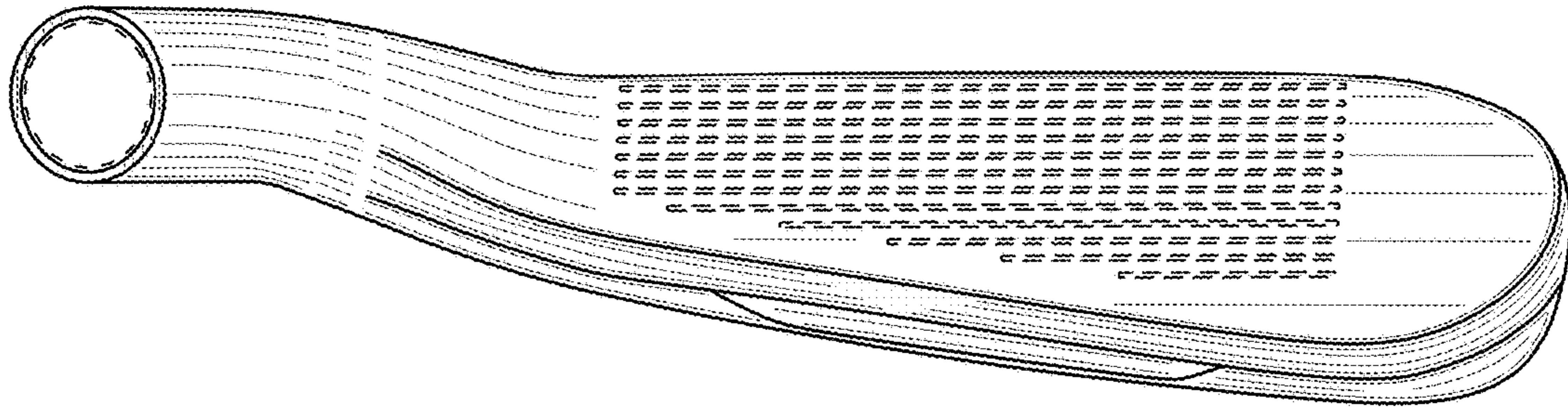


FIG. 3

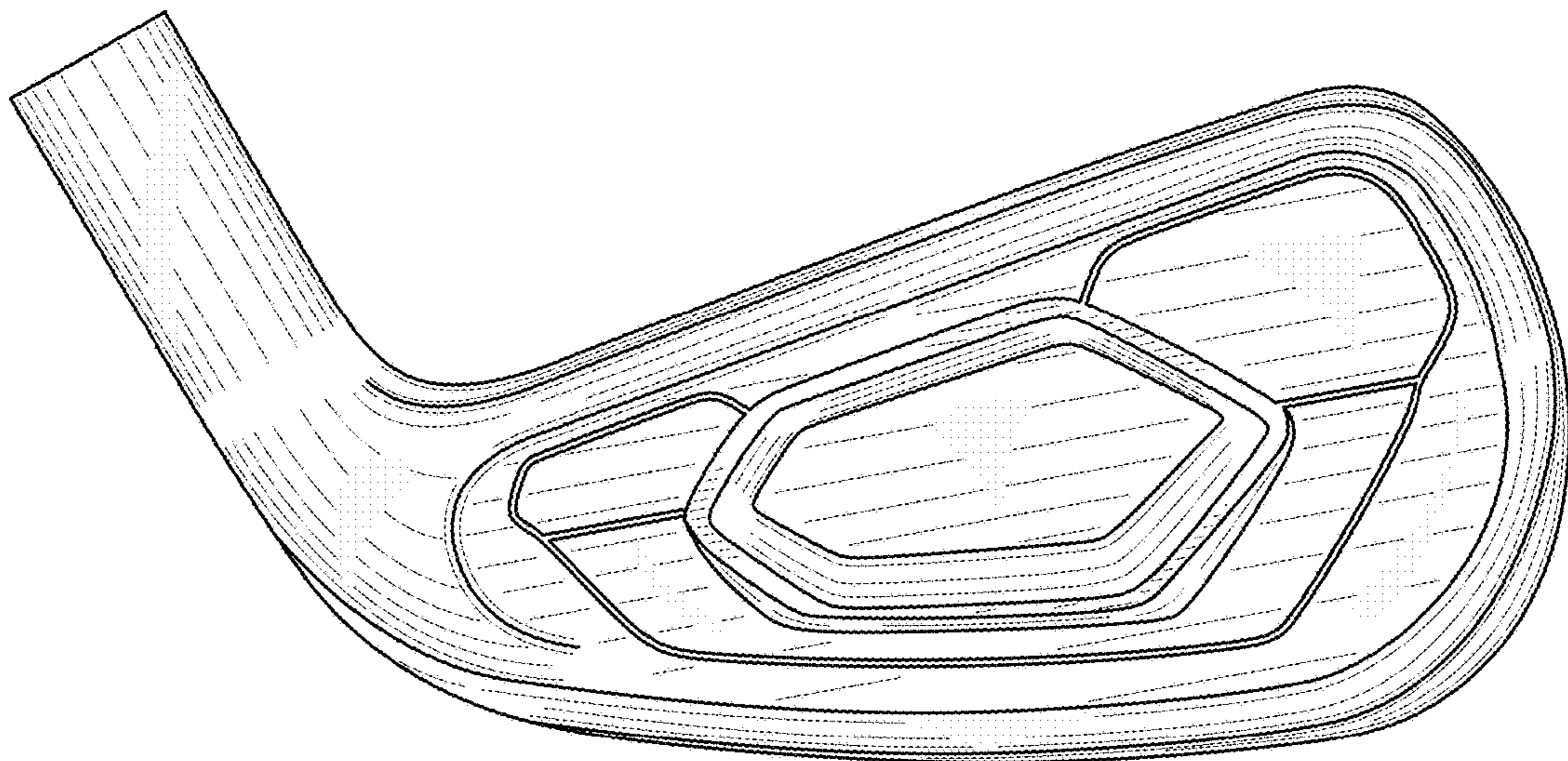


FIG. 4

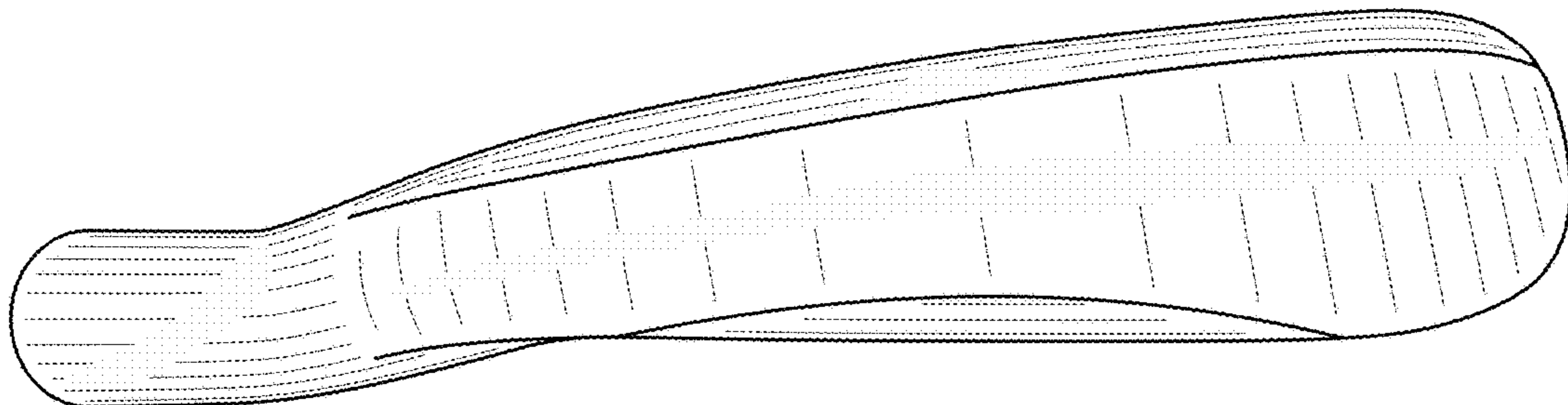


FIG. 5

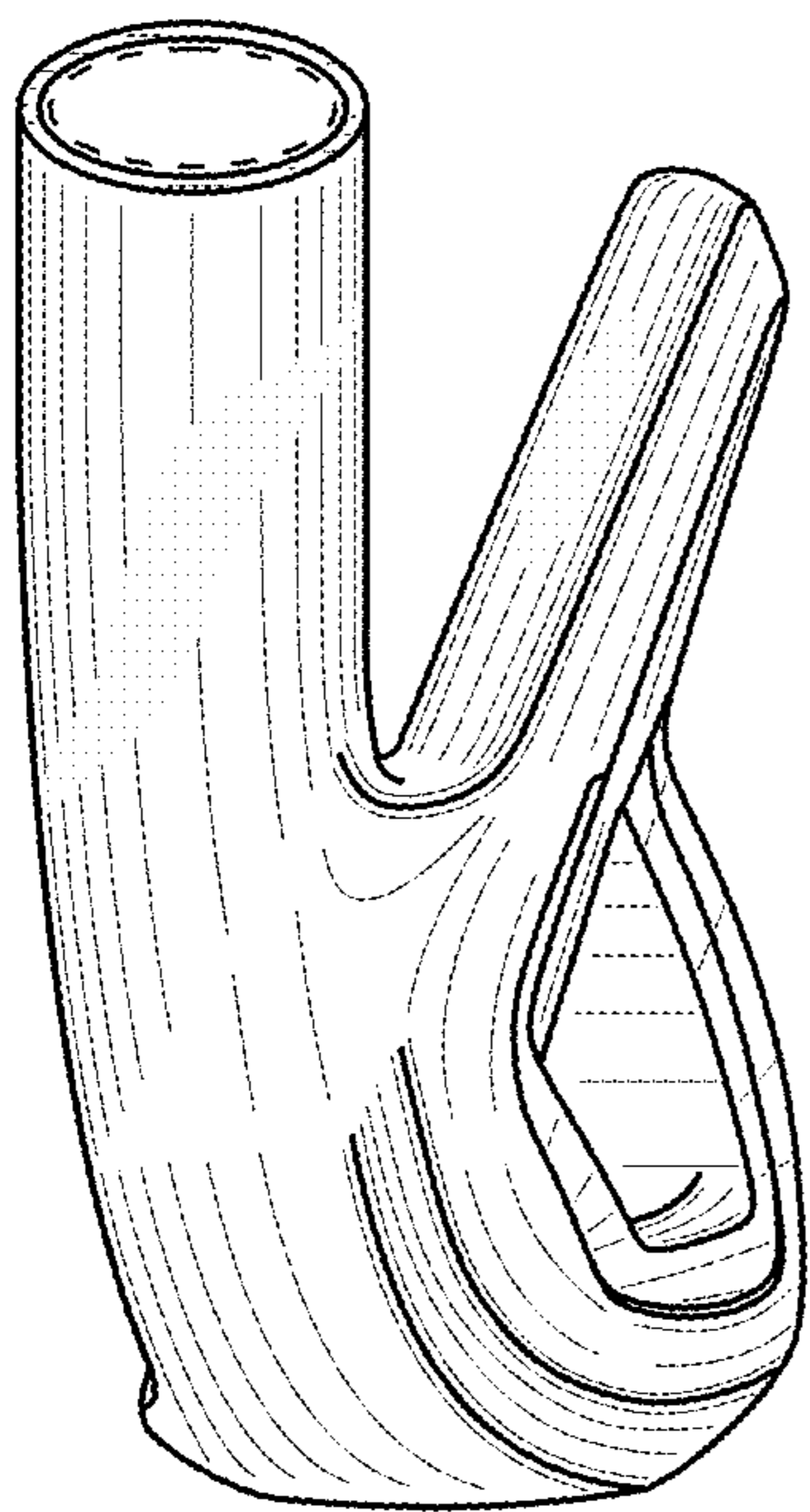


FIG. 6

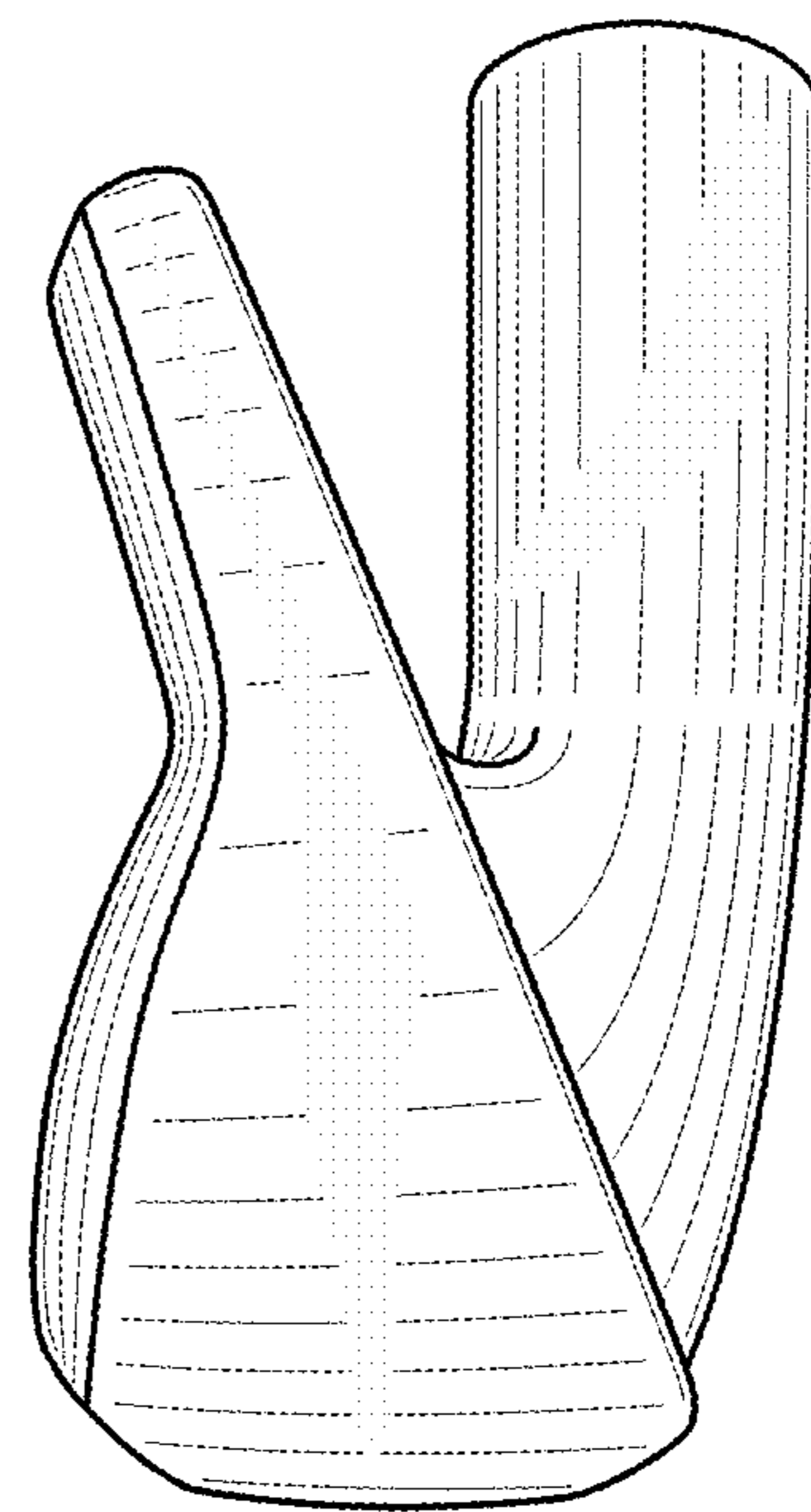


FIG. 7