



US00D803959S

(12) **United States Design Patent**  
**Rollinson et al.**

(10) **Patent No.:** **US D803,959 S**

(45) **Date of Patent:** **\*\* \*Nov. 28, 2017**

(54) **PUTTER HEAD**

(71) Applicant: **CALLAWAY GOLF COMPANY,**  
Carlsbad, CA (US)

(72) Inventors: **Augustin W. Rollinson,** Carlsbad, CA  
(US); **Thomas R. Hilton,** Cardiff, CA  
(US); **Larry Tang,** Carlsbad, CA (US)

(73) Assignee: **Callaway Golf Company,** Carlsbad,  
CA (US)

(\*) Notice: This patent is subject to a terminal disclaimer.

(\*\*) Term: **15 Years**

(21) Appl. No.: **29/556,707**

(22) Filed: **Mar. 2, 2016**

(51) **LOC (10) Cl.** ..... **21-02**

(52) **U.S. Cl.**  
USPC ..... **D21/743**

(58) **Field of Classification Search**  
USPC ..... D21/736-746  
CPC ... A63B 53/065; A63B 53/0487; A63B 53/00;  
A63B 53/007; A63B 53/04  
See application file for complete search history.

(56) **References Cited**

**U.S. PATENT DOCUMENTS**

D218,178 S \* 7/1970 Solheim ..... D21/739  
D220,844 S \* 6/1971 Letters ..... D21/740  
D223,031 S \* 2/1972 Ernst ..... D21/740

D256,824 S \* 9/1980 Ward ..... D21/736  
D260,160 S \* 8/1981 Giebel ..... D21/739  
D267,738 S \* 1/1983 Giebel ..... D21/739  
D293,926 S \* 1/1988 Antonious ..... D21/740  
D299,043 S \* 12/1988 Antonious ..... D21/740  
D322,109 S \* 12/1991 Antonious ..... D21/740  
D322,111 S \* 12/1991 Antonious ..... D21/740  
D324,711 S \* 3/1992 Antonious ..... D21/736  
D398,684 S \* 9/1998 Masuda ..... D21/736  
D483,086 S \* 12/2003 Schweigert ..... D21/736  
D625,374 S \* 10/2010 Hettinger ..... D21/743  
D641,438 S \* 7/2011 Rollinson ..... D21/736  
D769,994 S \* 10/2016 Hunter ..... D21/743

\* cited by examiner

*Primary Examiner* — Mitchell Siegel

(74) *Attorney, Agent, or Firm* — Rebecca Hanovice;  
Michael Catania; Sonia Lari

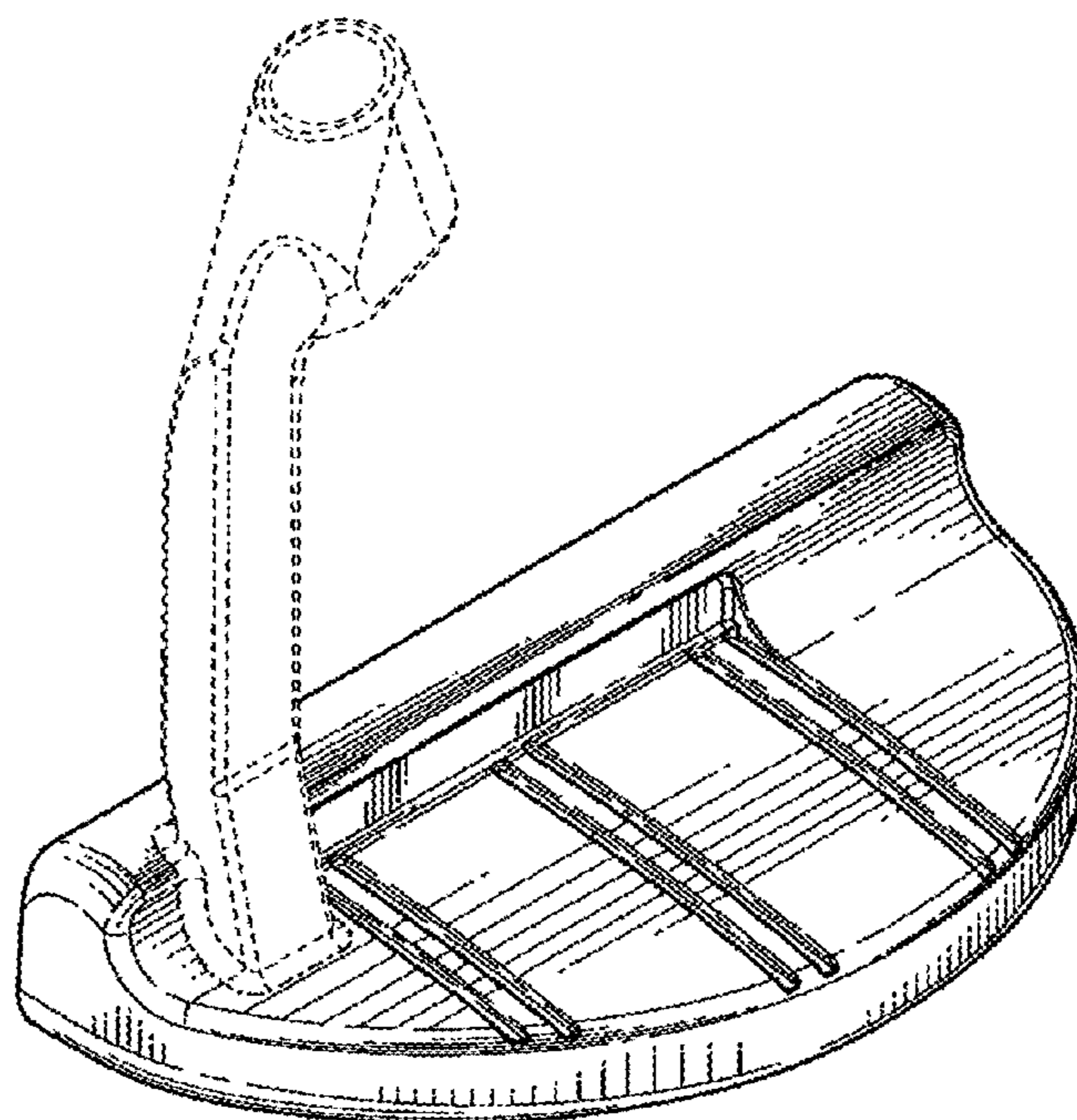
(57) **CLAIM**

The ornamental design for a putter head, as shown and described.

**DESCRIPTION**

FIG. 1 is a rear perspective view of the putter head as claimed herein;  
FIG. 2 is a rear elevational view thereof;  
FIG. 3 is a front elevational view thereof;  
FIG. 4 is a right side perspective view thereof;  
FIG. 5 is a left side perspective view thereof;  
FIG. 6 is a top plan view thereof; and,  
FIG. 7 is a bottom plan view thereof.  
The broken lines are included for the purpose of illustration only and form no part of the claimed design.

**1 Claim, 4 Drawing Sheets**



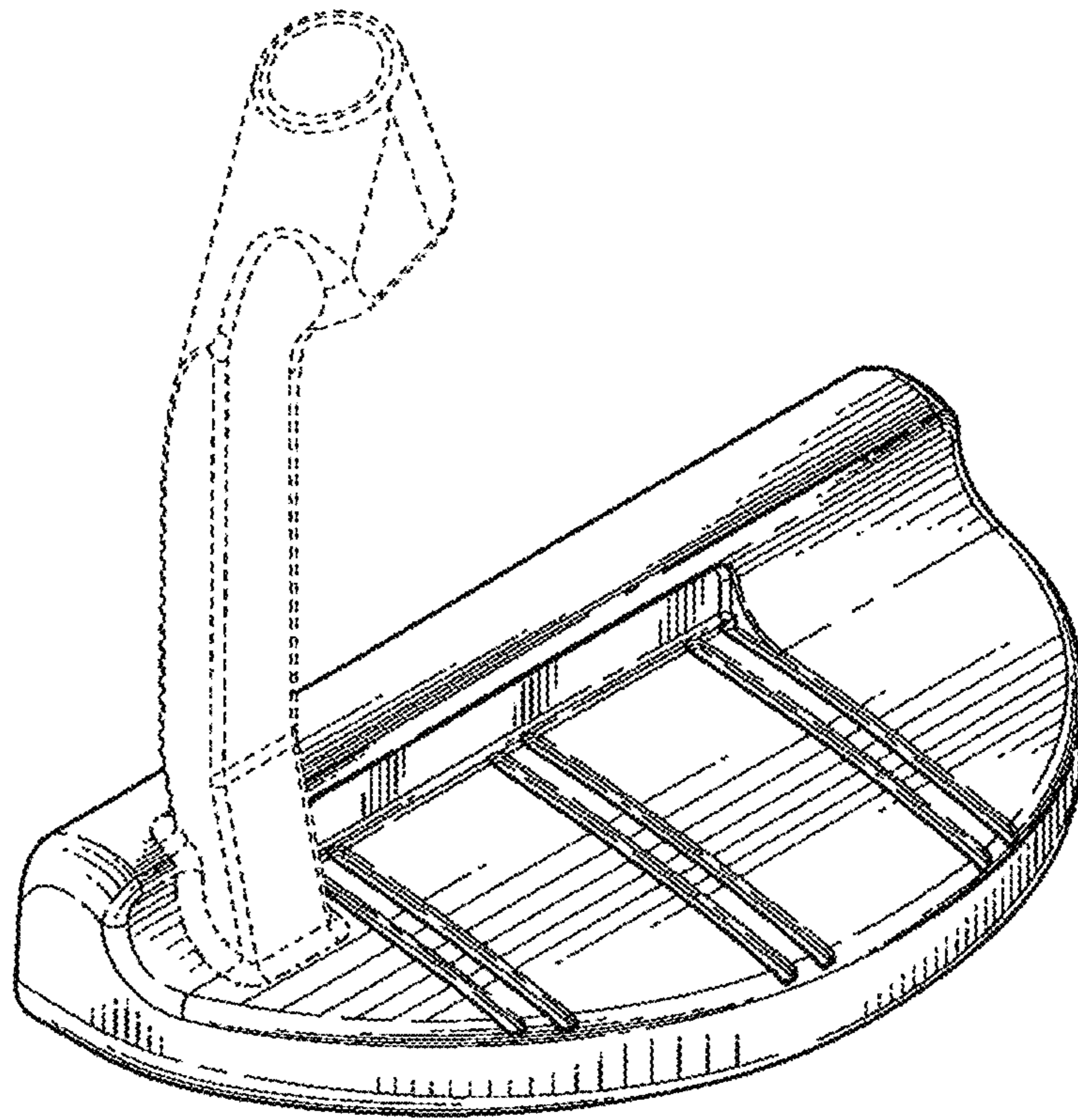


FIG. 1

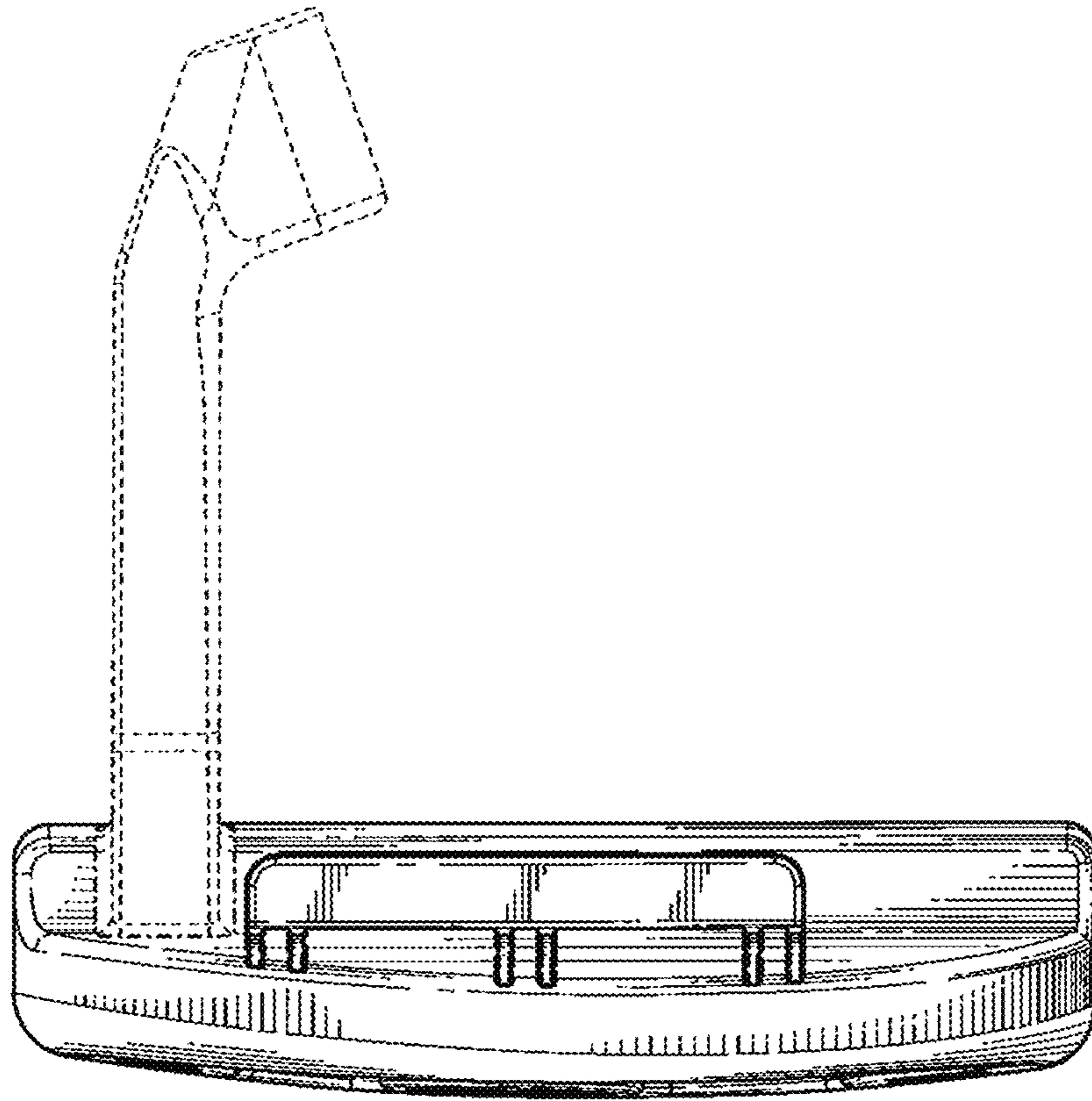


FIG. 2

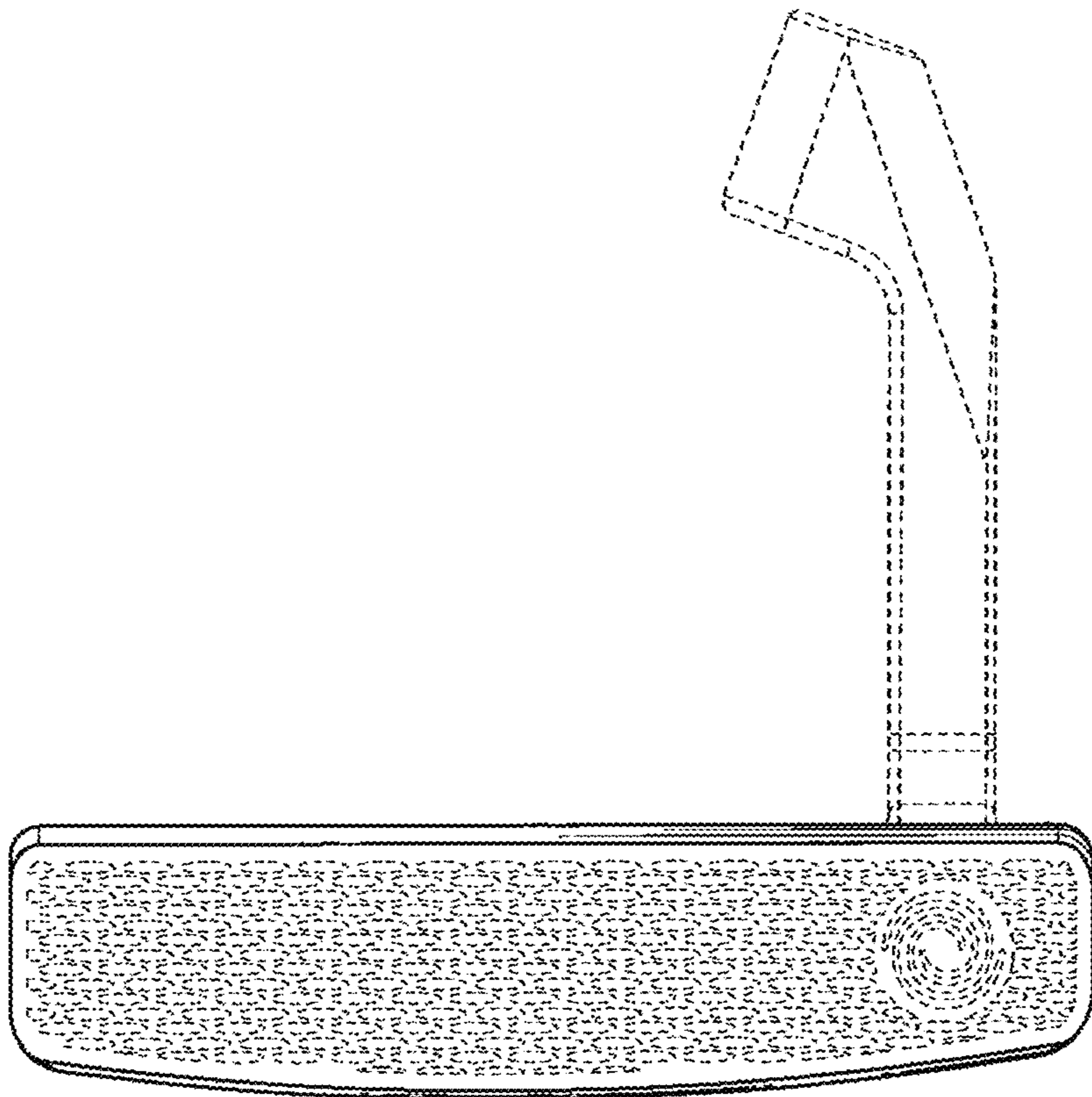


FIG. 3

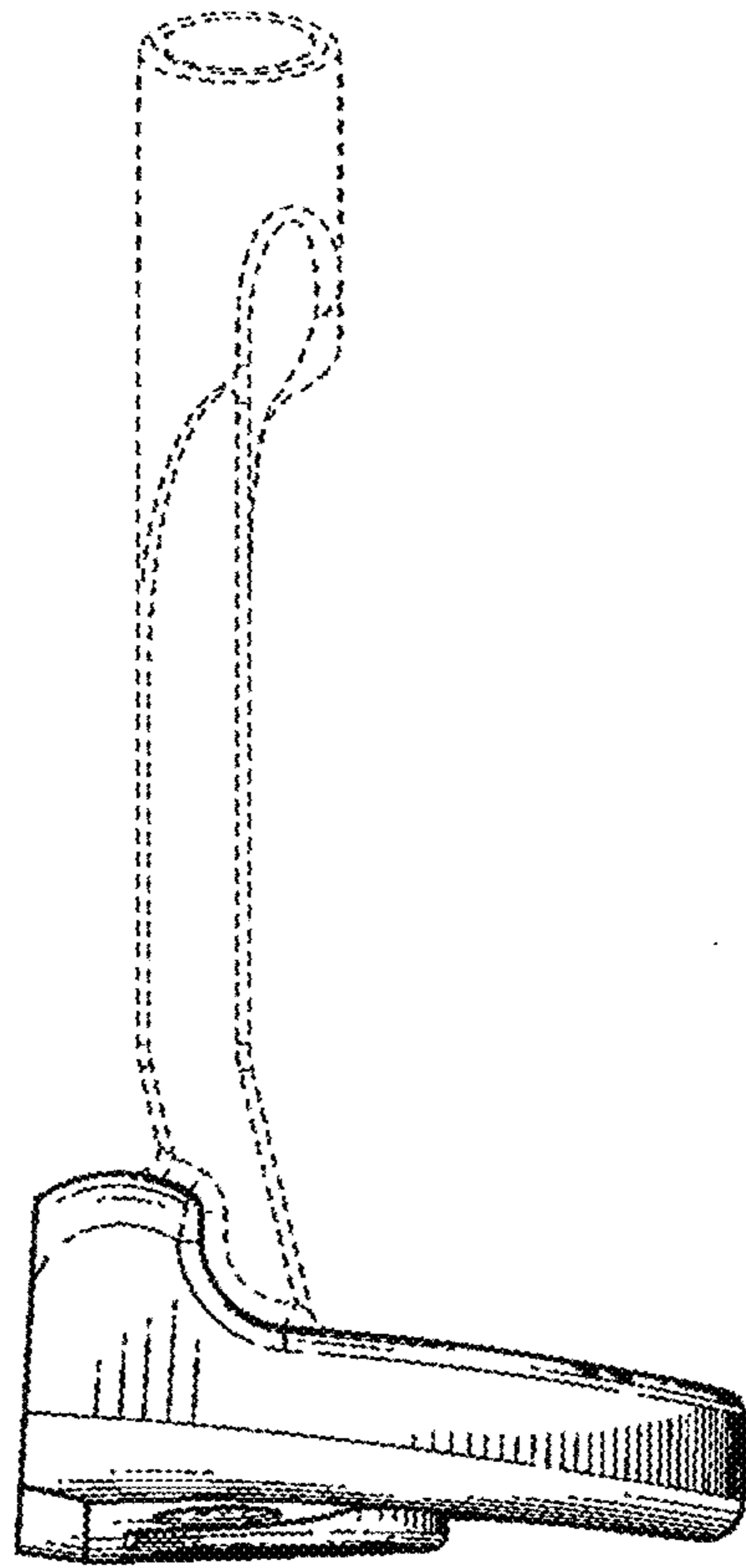


FIG. 4

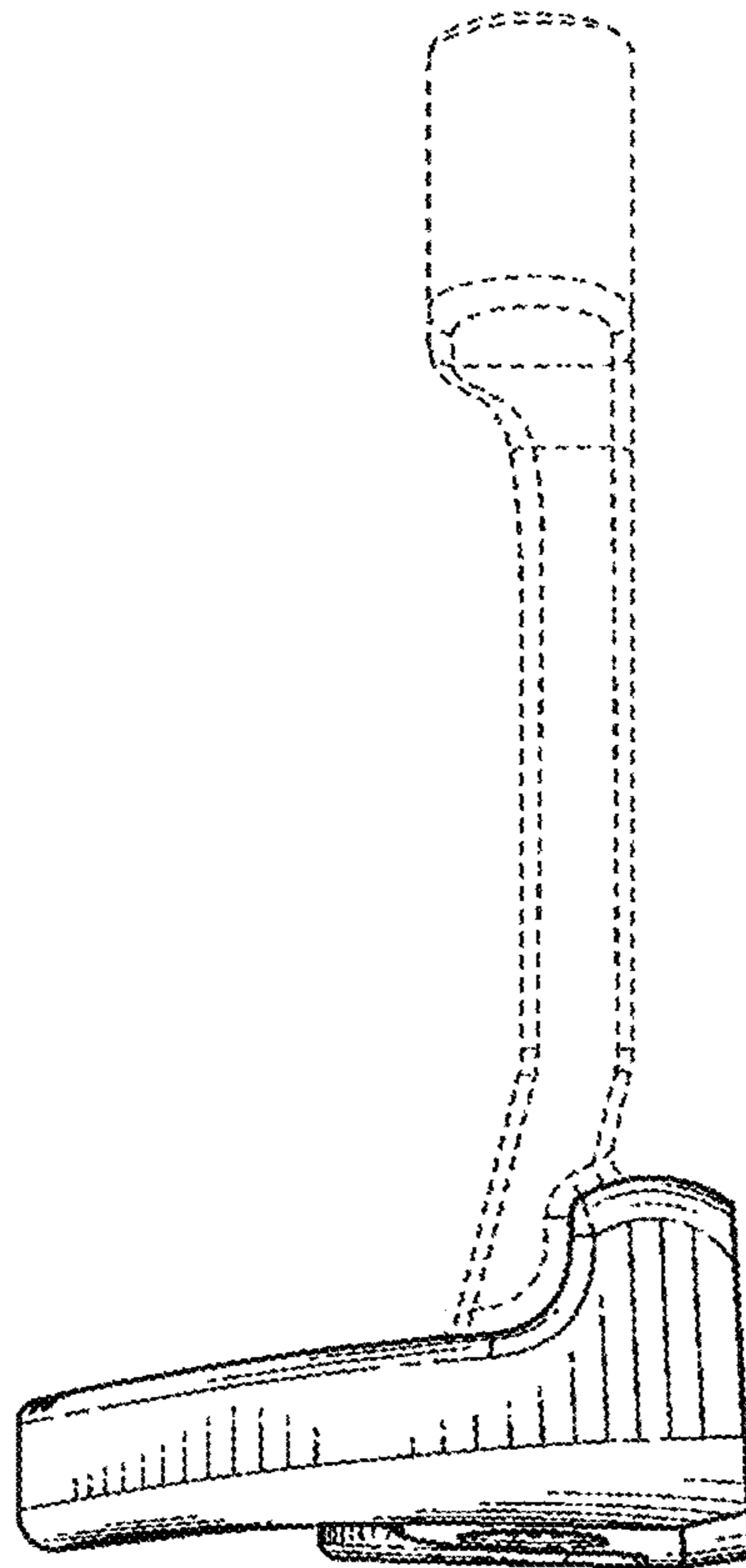


FIG. 5

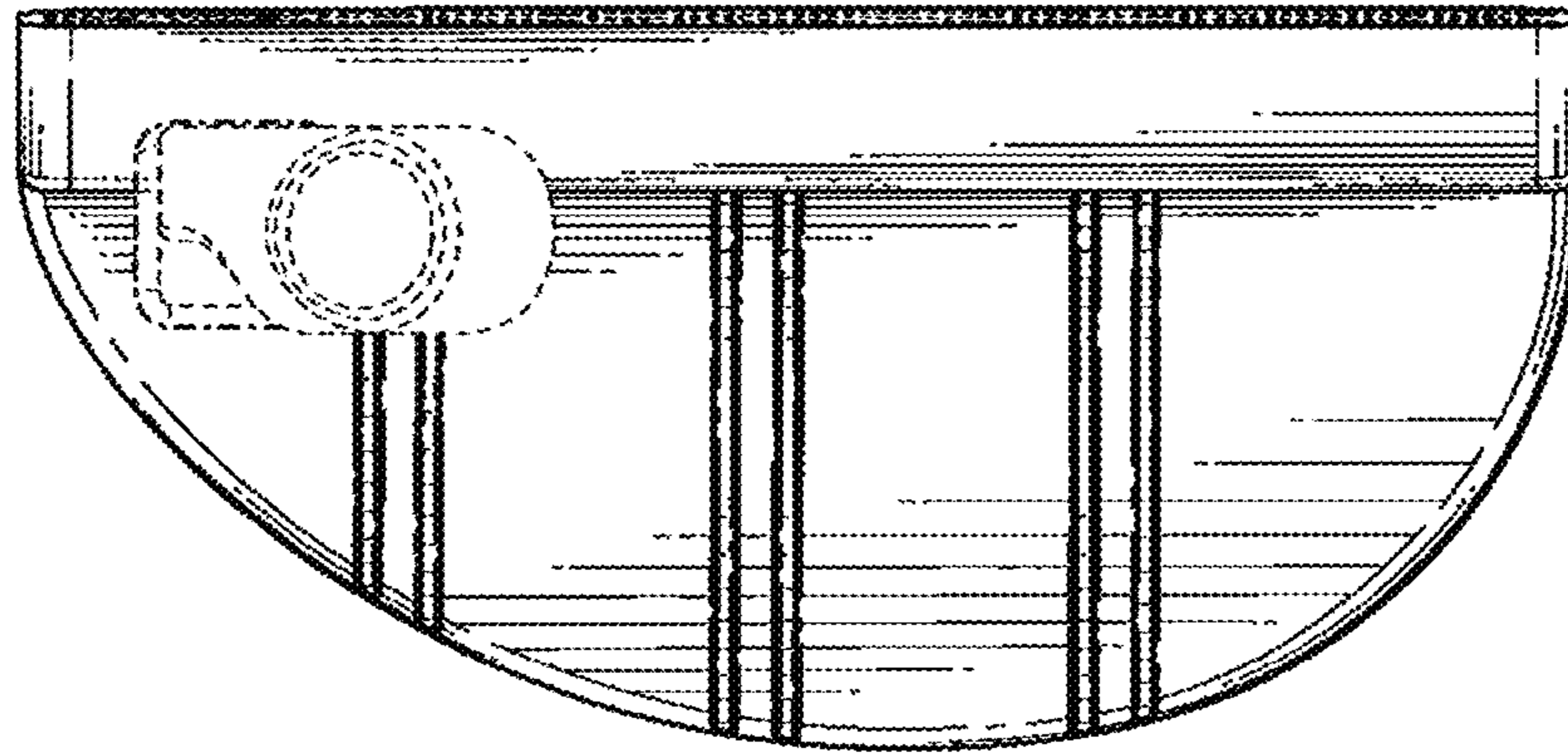


FIG. 6

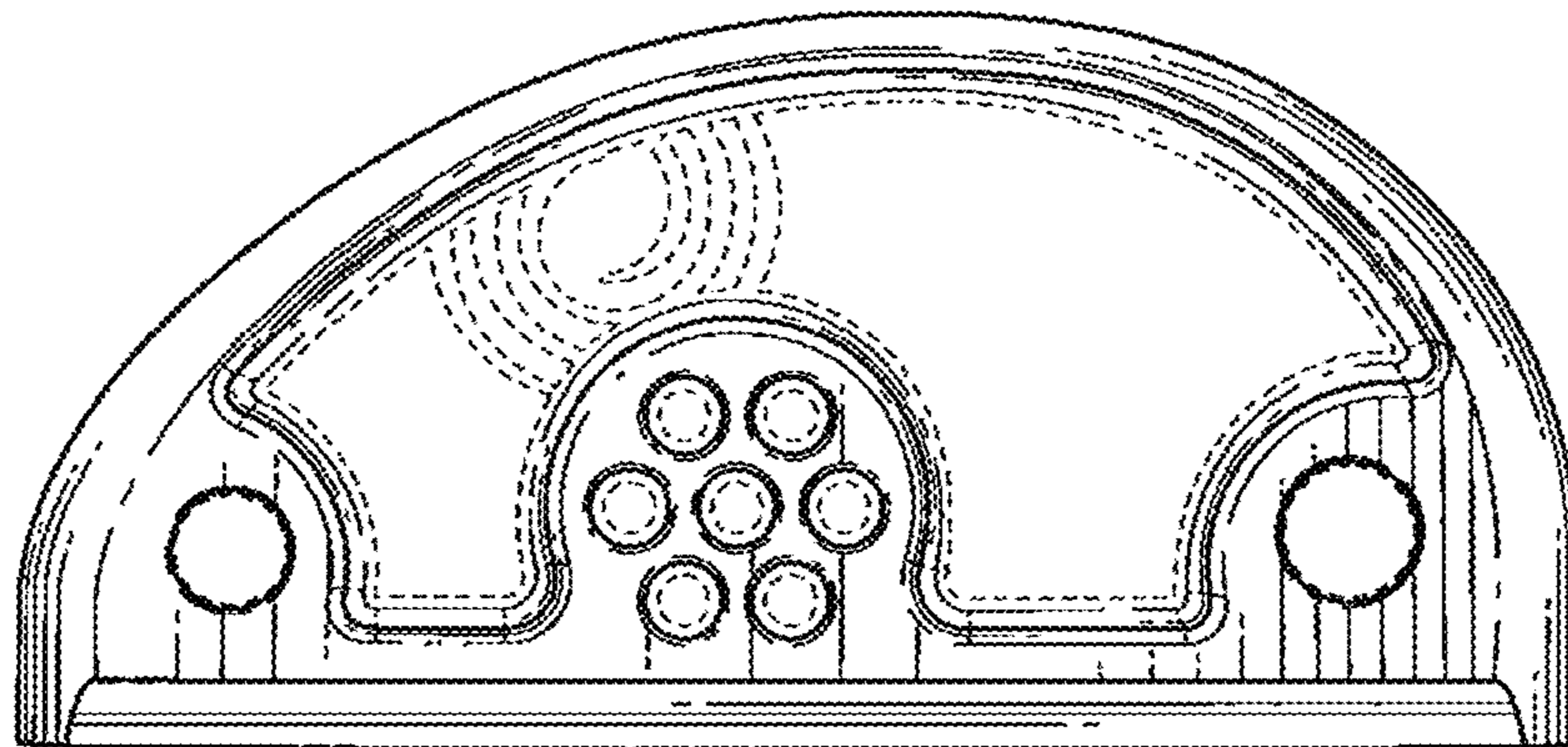


FIG. 7