



US00D803958S

(12) **United States Design Patent**
Clark

(10) **Patent No.:** **US D803,958 S**

(45) **Date of Patent:** **** Nov. 28, 2017**

- (54) **ABDOMINAL EXERCISE MAT**
- (71) Applicant: **Coulter Ventures, LLC**, Columbus, OH (US)
- (72) Inventor: **Bonnie Elizabeth Clark**, Canton, GA (US)
- (73) Assignee: **Coulter Ventures, LLC**, Columbus, OH (US)
- (**) Term: **15 Years**
- (21) Appl. No.: **29/577,616**
- (22) Filed: **Sep. 14, 2016**
- (51) **LOC (10) Cl.** **21-02**
- (52) **U.S. Cl.**
USPC **D21/687**
- (58) **Field of Classification Search**
USPC D21/688, 686, 671, 690, 662, 797, 484, D21/685, 501, 500, 499, 680, 687; 482/148, 23, 142, 140, 121, 99, 123, 133, 482/122, 144, 143, 145, 907; D30/160, D30/118; D6/349, 601, 374, 582, 583, D6/596, 691.4, 716.5, 375, 334, 361, 366, D6/584, 587, 604, 595, 367, 336; 5/420, 5/636, 922, 655, 655.4, 702, 911, 417, 5/630, 632; D24/190, 191, 192, 183, D24/186; D14/549, 458; D12/410; D25/113; 297/397, 284.3, 391, 230.1, 297/284.5; 14/69.5
CPC A47C 7/425; A63B 21/4035; A63B 21/0004; A63B 26/003; A63B 2023/006; B60N 2/66; A47G 9/10; A63H 33/04
See application file for complete search history.

- 4,245,838 A * 1/1981 Gordon A63B 5/06 482/15
- D325,087 S * 3/1992 Brinker D24/190
- 5,266,378 A * 11/1993 Stephenson B60T 3/00 188/32
- 5,431,618 A * 7/1995 Levi A63B 21/00047 482/142
- D360,796 S * 8/1995 Goldado 5/648
- D361,905 S * 9/1995 Adams D6/334
- 5,611,765 A 3/1997 Koch et al.

(Continued)

OTHER PUBLICATIONS

Rogue Wise Crack Abmat by Rogue dated Aug. 1, 2016. Found online [Aug. 1, 2017] <https://www.roguefitness.com/rogue-wise-crack-abmat>.*

Primary Examiner — Robert M Spear
Assistant Examiner — Ryan Harvey
(74) *Attorney, Agent, or Firm* — The Watson I.P. Group, PLC; Jovan N. Jovanovic; Vladan M. Vasiljevic

(57) **CLAIM**

The ornamental design for an abdominal exercise mat, as shown and described.

DESCRIPTION

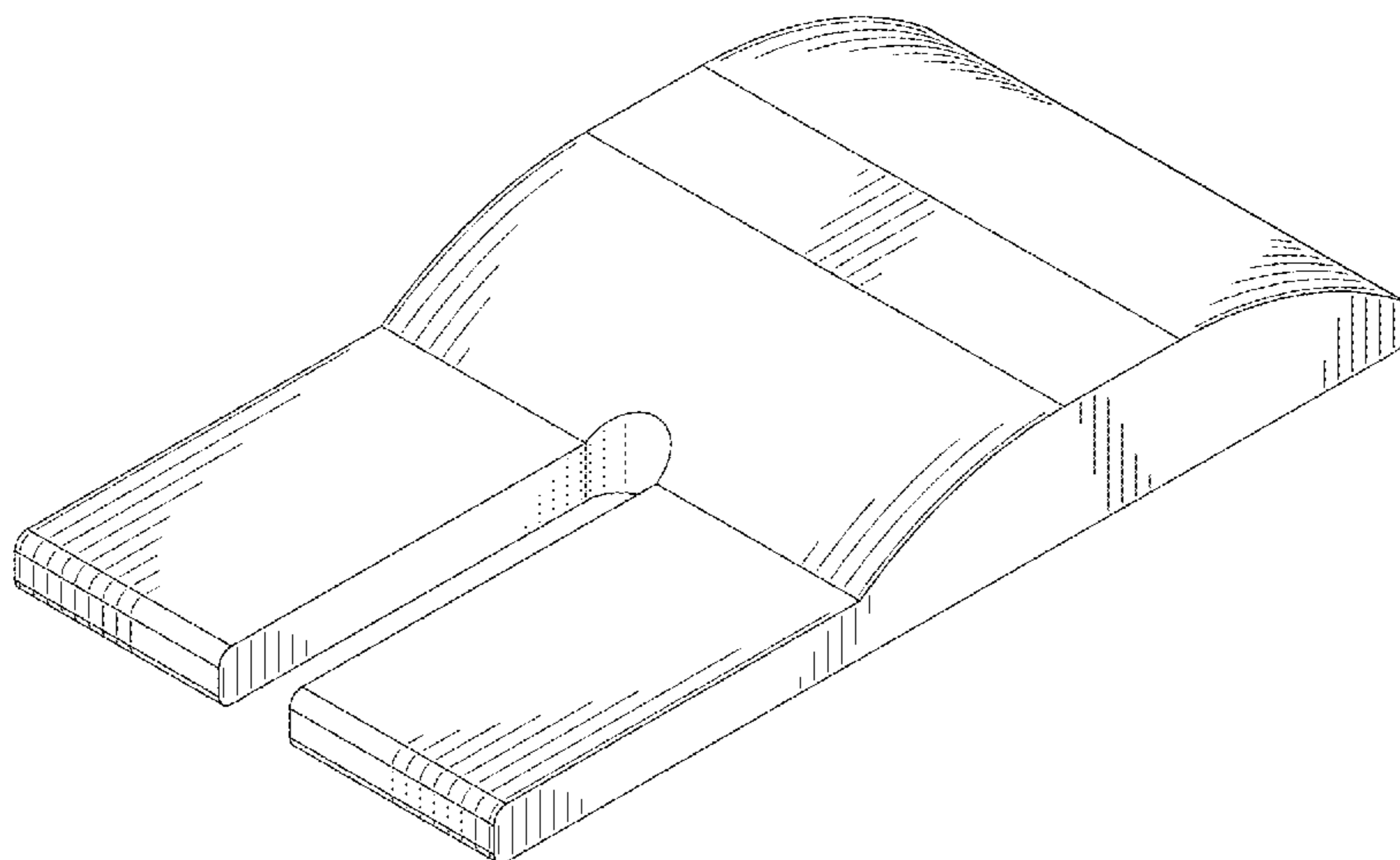
FIG. 1 of the drawings is a top perspective view of the abdominal exercise mat showing, in particular, the ornamental design thereof;
FIG. 2 of the drawings is a bottom view thereof;
FIG. 3 of the drawings is a front elevational view thereof;
FIG. 4 of the drawings is a back elevational view thereof;
FIG. 5 of the drawings is a first side elevational view thereof;
FIG. 6 of the drawings is a second side elevational view thereof;
FIG. 7 of the drawings is a top plan view thereof; and,
FIG. 8 of the drawings is a bottom plan view thereof.

1 Claim, 6 Drawing Sheets

(56) **References Cited**

U.S. PATENT DOCUMENTS

- 3,965,507 A * 6/1976 Reiland A63B 6/02 482/15
- 4,210,322 A * 7/1980 Pritchard A63B 21/00047 446/216



(56)

References Cited

U.S. PATENT DOCUMENTS

D410,744 S *	6/1999	Banister	D24/183	D683,801 S *	6/2013	Kalina	D21/662
D430,627 S *	9/2000	Bergman	D21/662	D690,534 S *	10/2013	Meldeau	D6/601
D441,587 S *	5/2001	Cameron	D6/601	D742,388 S *	11/2015	Lo	D14/459
D469,648 S *	2/2003	Meldeau	D21/687	9,192,801 B1 *	11/2015	Gouloubev	A63B 21/00047
6,623,270 B1 *	9/2003	Meldeau	A63B 21/00047	9,669,255 B2 *	6/2017	Henniger	A63B 21/4039
				432/140	2004/0019971 A1 *	2/2004	Rhodes	A61B 5/055
D509,270 S *	9/2005	Stangler	D21/686					5/632
D555,741 S *	11/2007	Wachtfogel	D21/662	2007/0117695 A1 *	5/2007	Endelman	A63B 21/00047
D571,871 S *	6/2008	Backstrand	D21/686					482/140
7,563,217 B2 *	7/2009	Endelman	A63B 21/00047	2011/0207587 A1 *	8/2011	De La Rambelje	A63B 21/00047
				482/121					482/140
D603,641 S *	11/2009	Hakansson	D6/583	2012/0322636 A1 *	12/2012	Palmer	A63B 21/02
D626,607 S *	11/2010	Kim	D21/671					482/140
D651,369 S *	12/2011	Seliskar	D30/160	2015/0031513 A1 *	1/2015	Park	A63B 23/0205
D675,267 S *	1/2013	Jamison, Jr.	D21/686					482/140
RE43,981 E *	2/2013	Endelman	A63B 21/4037	2015/0111709 A1	4/2015	Longfellow		
				482/121	2015/0367168 A1 *	12/2015	Henniger	A63B 23/0222
									482/145

* cited by examiner

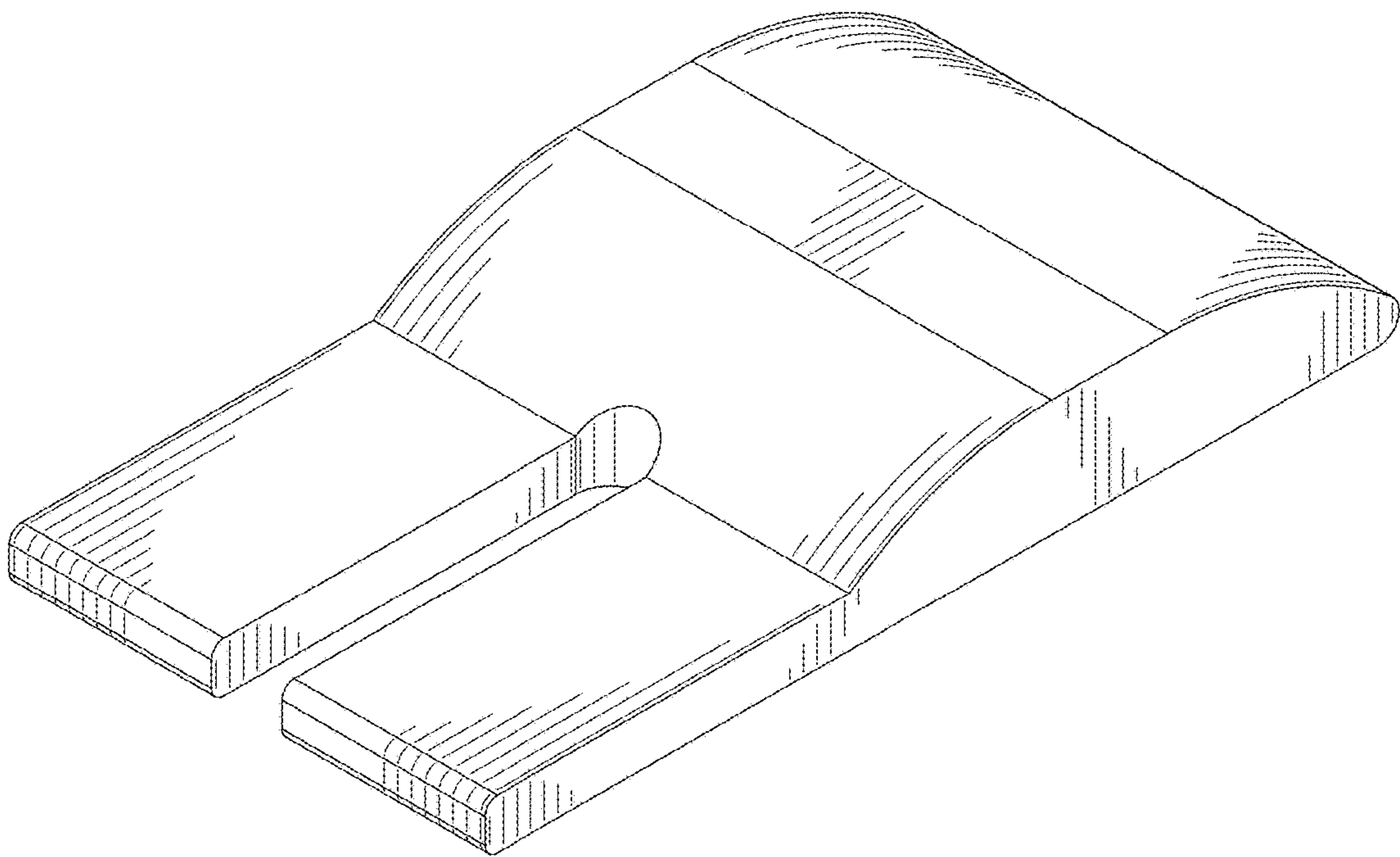


FIG. 1

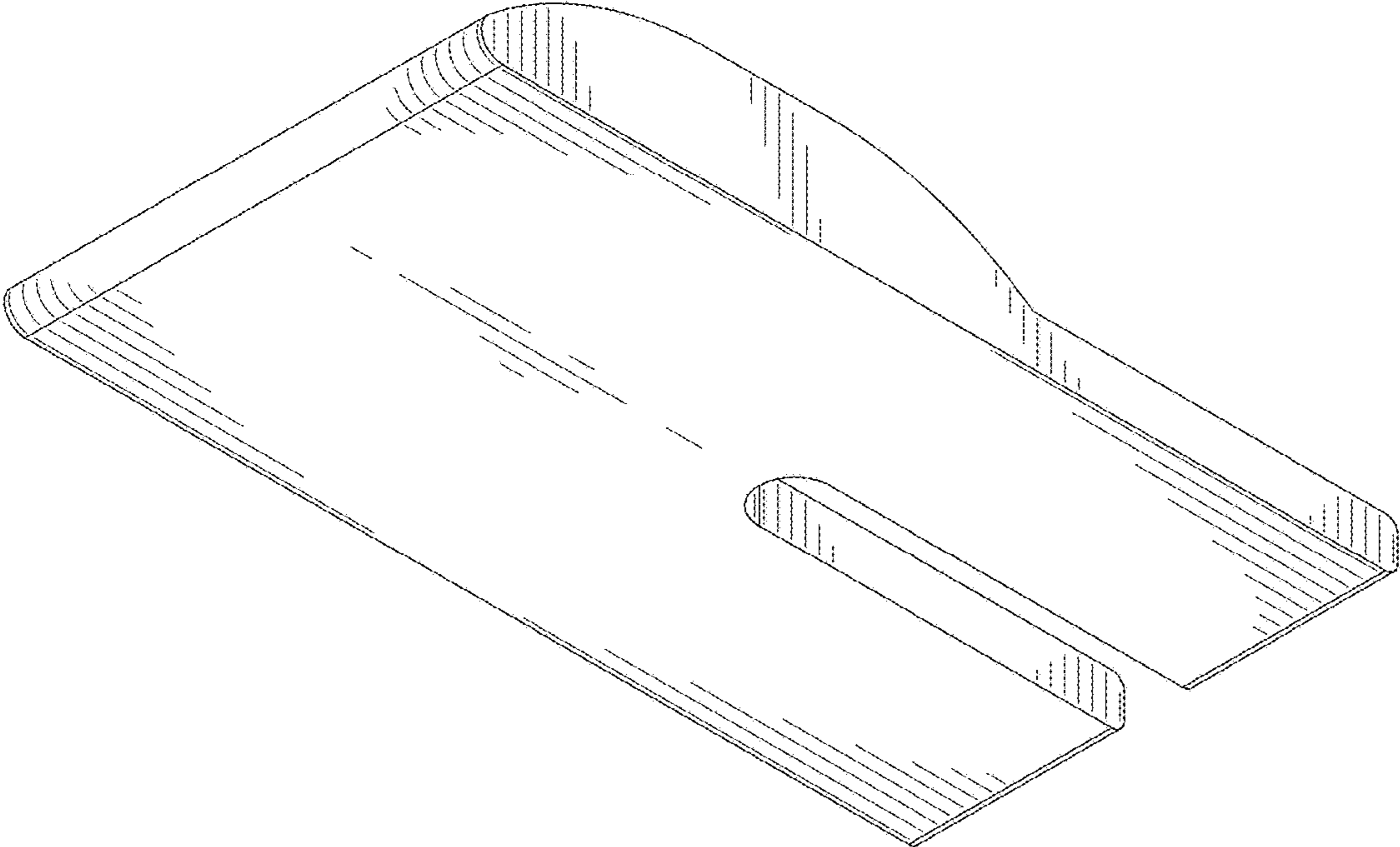


FIG. 2

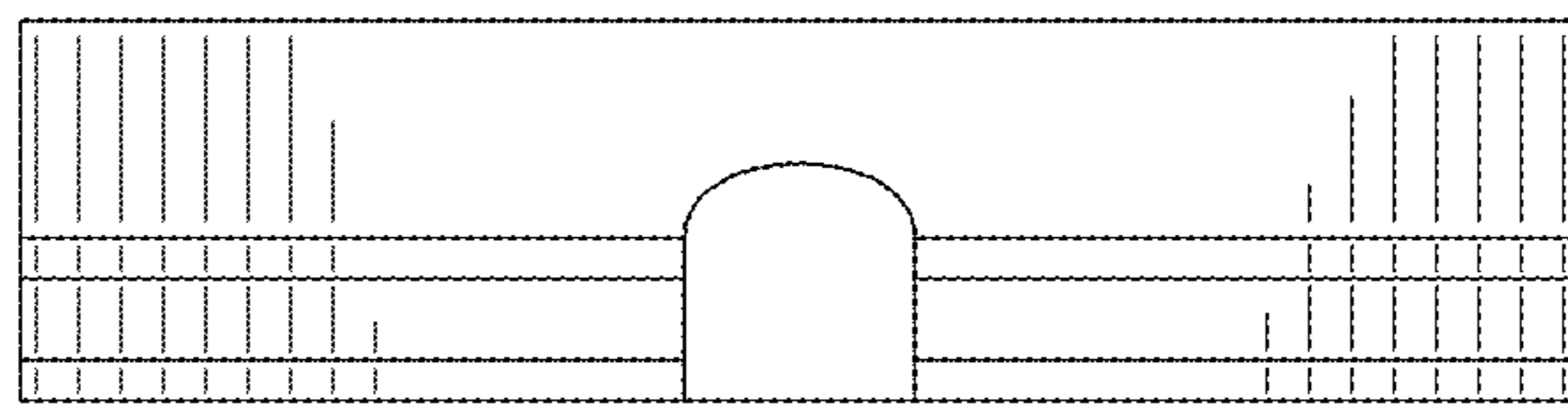


FIG. 3

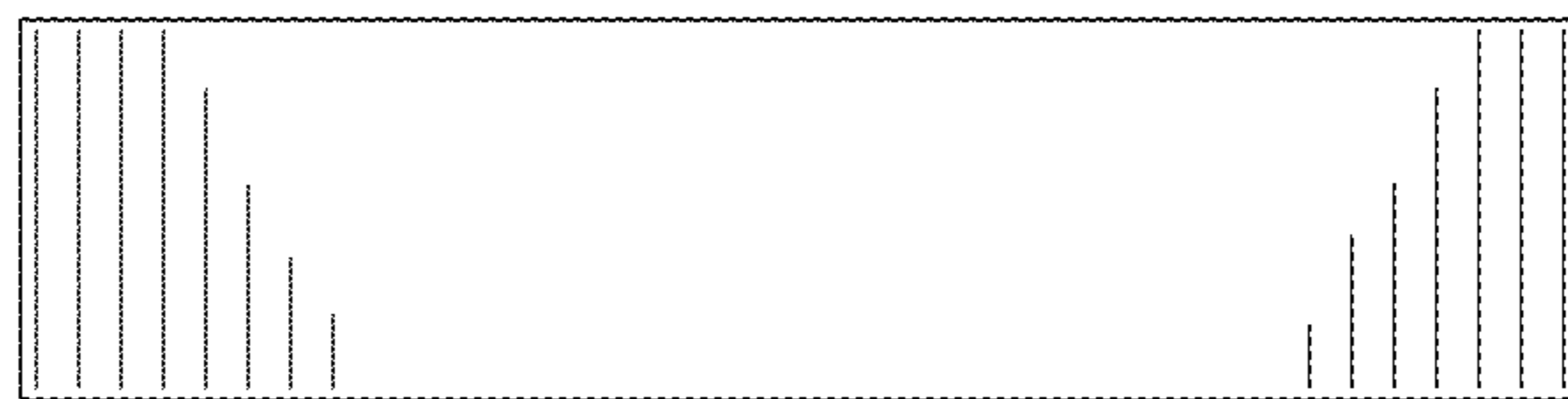


FIG. 4

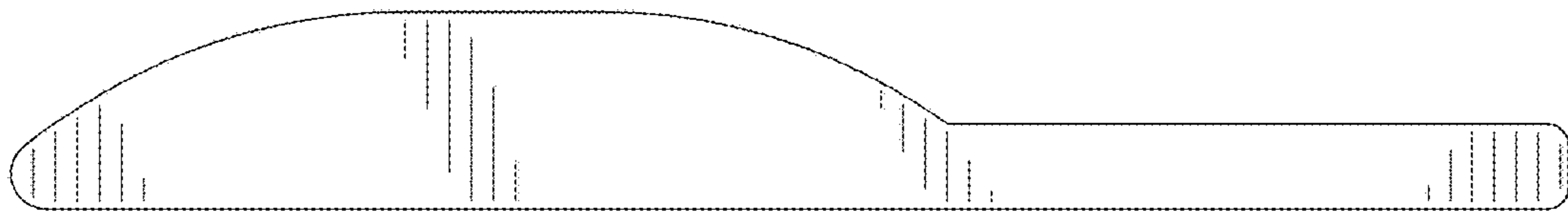


FIG. 5

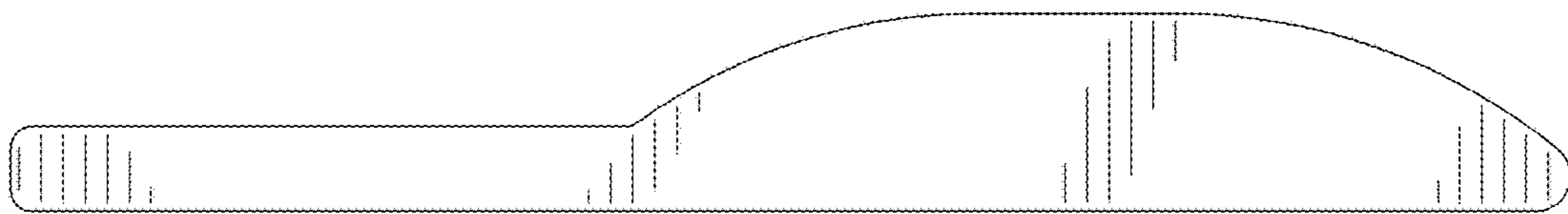


FIG. 6

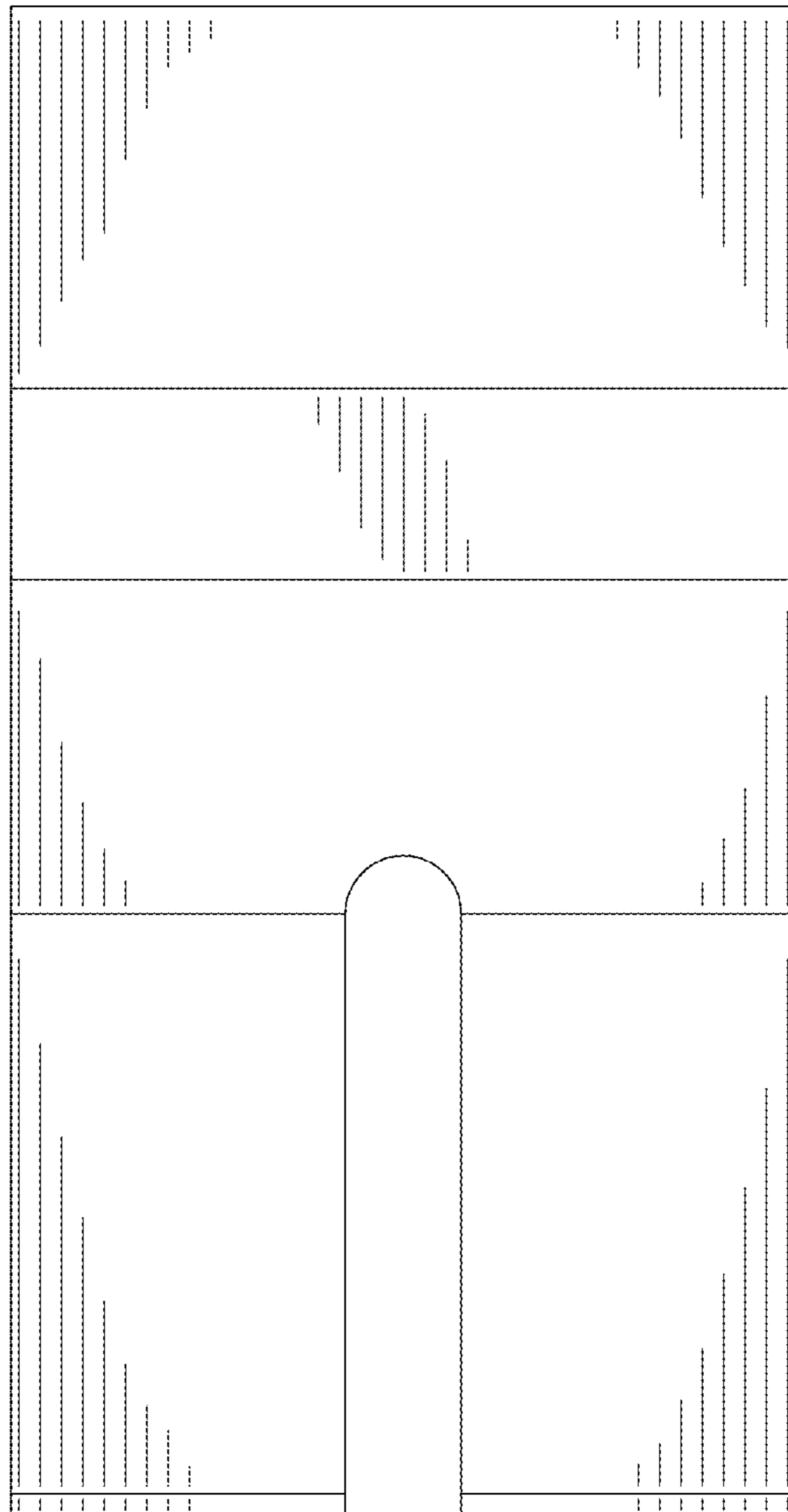


FIG. 7

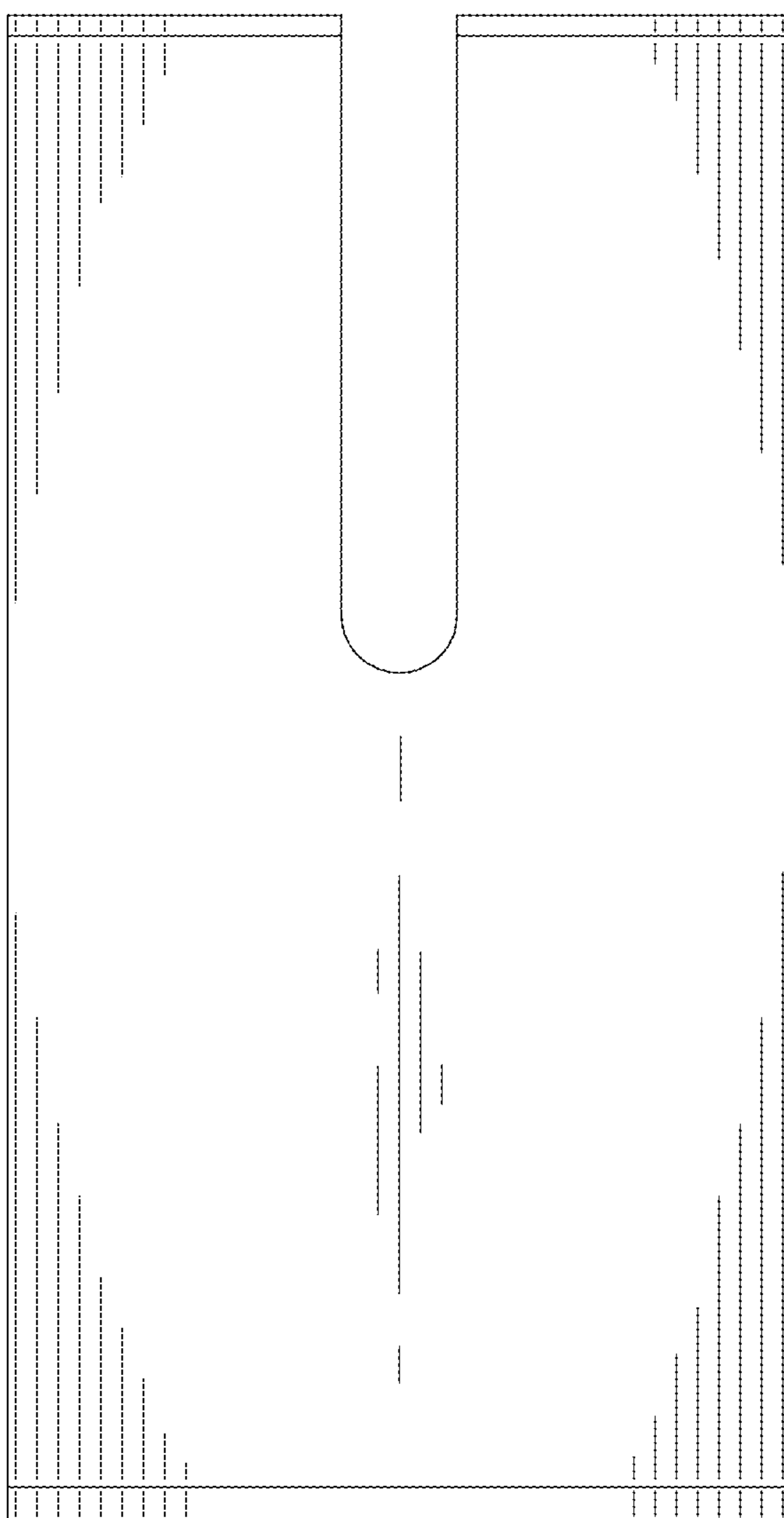


FIG. 8