

US00D803956S

(12) **United States Design Patent**
Sutton

(10) **Patent No.:** **US D803,956 S**

(45) **Date of Patent:** **** Nov. 28, 2017**

(54) **UPPER BODY EXERCISE WEIGHT**

(71) Applicant: **Bobby K. Sutton**, Baytown, TX (US)

(72) Inventor: **Bobby K. Sutton**, Baytown, TX (US)

(**) Term: **15 Years**

(21) Appl. No.: **29/562,393**

(22) Filed: **Apr. 26, 2016**

(51) **LOC (10) Cl.** **21-02**

(52) **U.S. Cl.**

USPC **D21/680**

(58) **Field of Classification Search**

USPC ... 482/93, 106, 109, 110, 139, 38, 126, 108,
482/104, 49, 141, 41, 88, 44, 45, 51, 52,
482/105, 148; D21/692, 662, 680, 684,
D21/686, 679, 682, 691, 688, 814, 681,
D21/694, 713, 398, 707, 693, 787, 798;
D3/262, 276, 282, 294, 905; D1/120,
D1/106; D30/160; D9/524; 52/650.2;
450/59; D24/190, 200

CPC A63B 21/0728; A63B 21/075; A63B
21/0724; A63B 21/0726; A63B 21/072;
A63B 21/078; A63B 21/4017; A63B 1/00

See application file for complete search history.

(56) **References Cited**

U.S. PATENT DOCUMENTS

- 3,270,997 A * 9/1966 Gethmann E04G 1/00
182/113
- 3,843,117 A * 10/1974 Johnson A63B 21/0602
482/110
- 4,018,442 A * 4/1977 Galler A63B 21/0724
482/106
- 4,607,840 A * 8/1986 Harper A63B 21/072
482/108
- 4,964,631 A * 10/1990 Marano A63B 21/4001
482/105
- 4,986,535 A * 1/1991 Hull A63B 21/0624
482/112

- 5,911,652 A * 6/1999 Jackson A63B 21/045
482/121
- D425,151 S * 5/2000 Landfair D21/679
- 6,149,555 A * 11/2000 Kinback A63B 21/0603
383/10
- 6,347,685 B1 * 2/2002 Ellis B60R 3/005
182/106
- D474,819 S * 5/2003 Panicali D21/681
- D478,195 S * 8/2003 McGinty D30/160

(Continued)

OTHER PUBLICATIONS

Rogue MG-1 Multi Grip Bar 2.0 by Rogue dated Aug. 2, 2015.
Found online [Aug. 3, 2017] https://www.roguefitness.com/rogue-mg-1-multi-grip-bar-2-0?gclid=CjwKCAjwk4vMBRAGeiwA4ftLs-6qkKzviKlet6XVurhzVIEF2W66dTdSKpOZIOkyJV-fh29VGN--pBoCGtkQAvD_BwE.*

(Continued)

Primary Examiner — Robert M Spear

Assistant Examiner — Ryan Harvey

(74) *Attorney, Agent, or Firm* — Karen B. Tripp

(57) **CLAIM**

I claim the ornamental design for an upper body exercise weight, as shown and described.

DESCRIPTION

FIG. 1 is a perspective top side view of one embodiment of an upper body exercise weight of my new design.

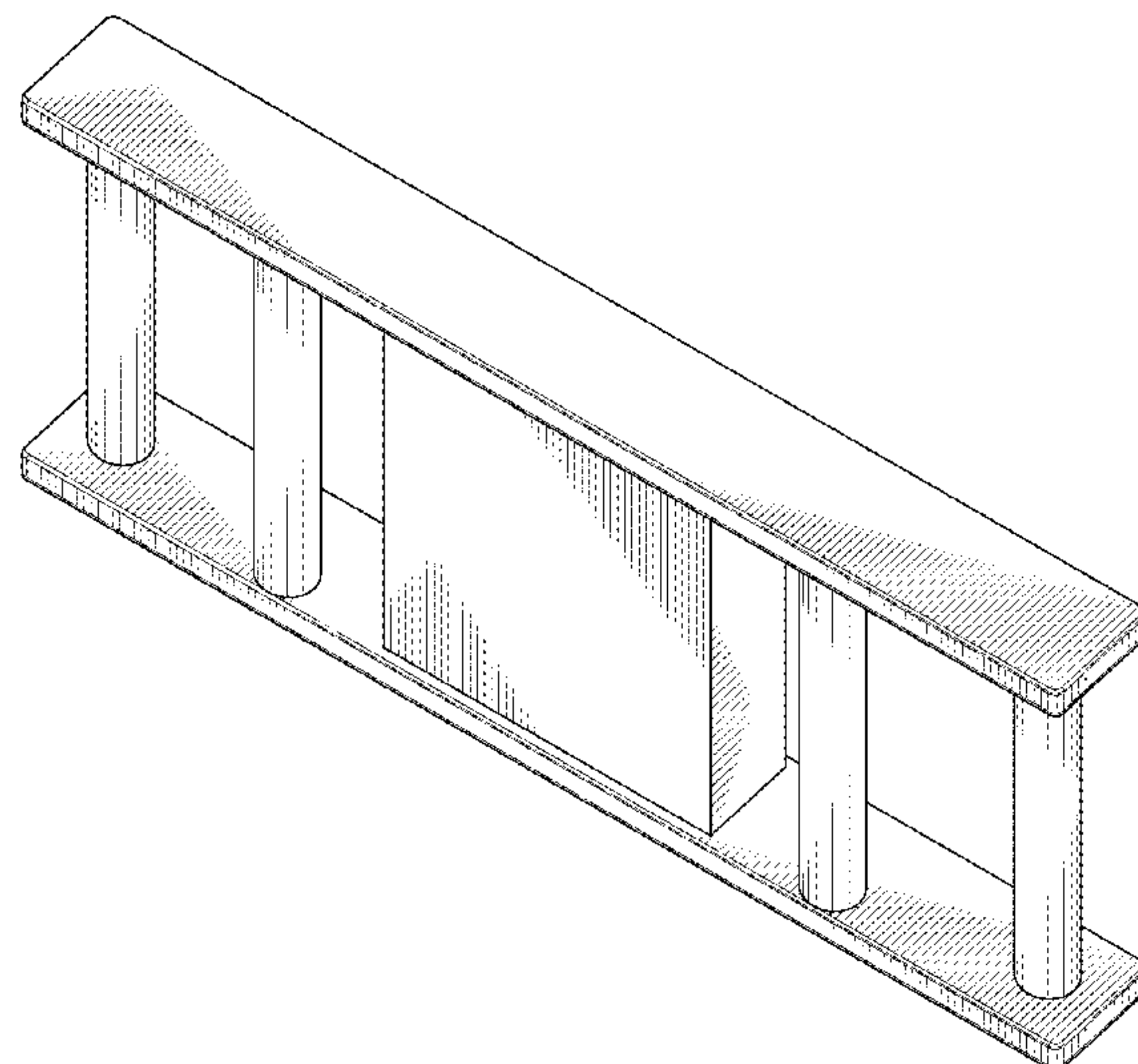
FIG. 2 is the top view of the upper body exercise weight of FIG. 1; the bottom view of the upper body trainer is identical to this top view.

FIG. 3 is the right end view of the upper body exercise weight of FIG. 1.

FIG. 4 is the left end view of the upper body exercise weight of FIG. 1; and,

FIG. 5 is the side view of the upper body exercise weight of FIG. 1; the opposing side view is identical to this side view.

1 Claim, 3 Drawing Sheets



(56)

References Cited

U.S. PATENT DOCUMENTS

6,692,417 B2 * 2/2004 Burrell A63B 21/00047
482/141
6,932,750 B1 * 8/2005 Dorner A63B 23/12
482/141
6,981,933 B2 * 1/2006 Scafidel A63B 21/072
482/110
D520,366 S * 5/2006 Fannesbeck D9/524
7,097,601 B1 * 8/2006 Ronnow A63B 21/072
482/106
D563,490 S * 3/2008 Prenatt D21/680
D665,469 S * 8/2012 Zabel D21/662
8,702,570 B1 * 4/2014 DelPriore A63B 21/0004
482/123
D739,958 S * 9/2015 Bangura D25/64
9,254,408 B1 * 2/2016 Otto A63B 21/055
D760,917 S * 7/2016 Ellis D25/68
9,526,940 B2 * 12/2016 Renk A63B 21/072
D777,947 S * 1/2017 Simmons D25/64

2003/0130096 A1 * 7/2003 LaCroce A63B 21/0724
482/106
2004/0204292 A1 * 10/2004 Chu A63B 1/00
482/41
2012/0283073 A1 * 11/2012 Zabel A63B 21/0603
482/93
2014/0024505 A1 * 1/2014 Potts A63B 21/0724
482/106
2015/0011370 A1 * 1/2015 Henniger A63B 21/00047
482/145
2015/0065316 A1 * 3/2015 Towley, III A63B 21/00047
482/104
2016/0051857 A1 * 2/2016 Rasner A63B 21/4035
482/92
2017/0106226 A1 * 4/2017 Mann A63B 21/0724

OTHER PUBLICATIONS

Mutt Bars by Rogue dated Jan. 3, 2017. Found online [Aug. 3, 2017]
https://www.roguefitness.com/mutt-bars.*

* cited by examiner

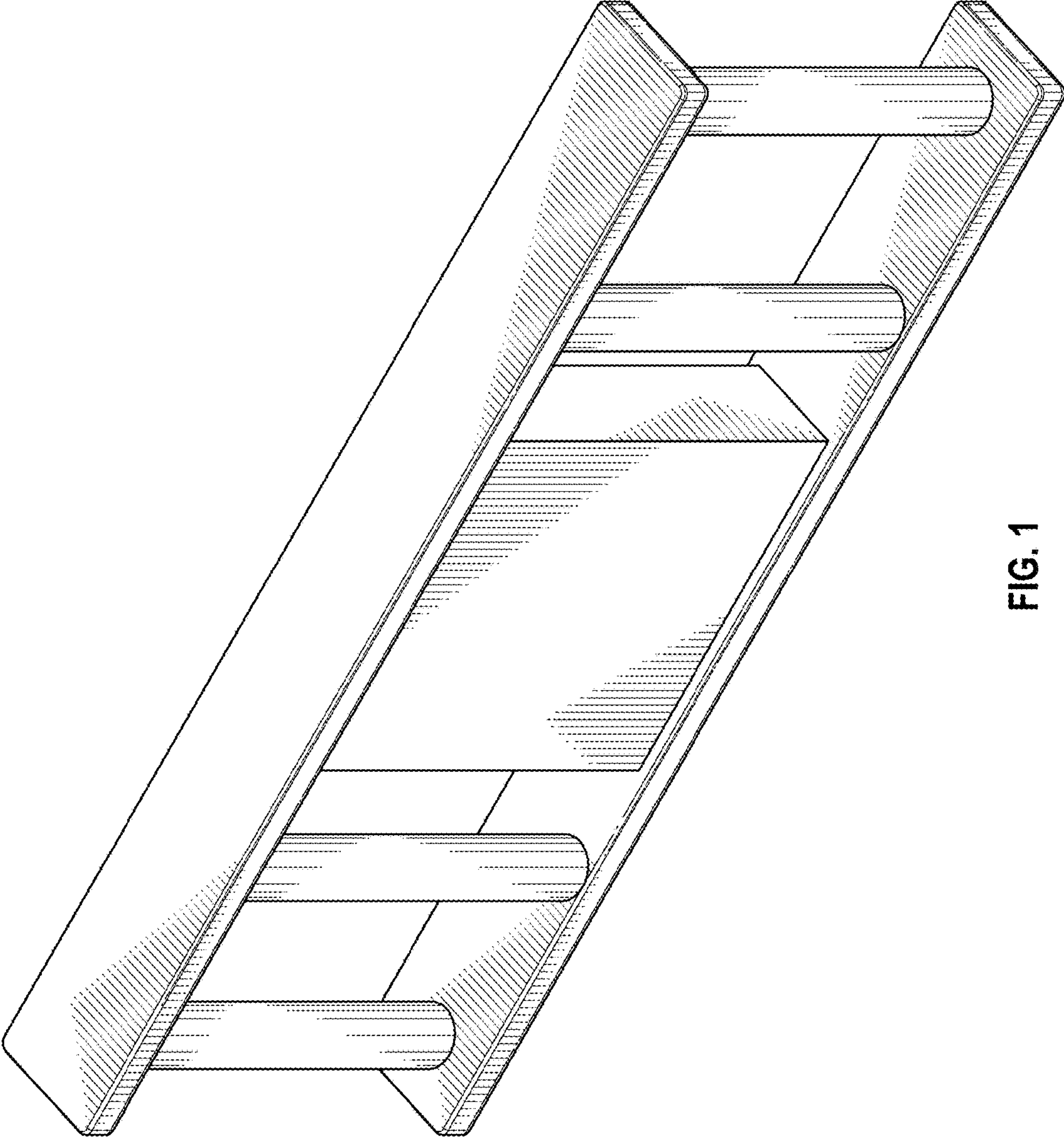


FIG. 1

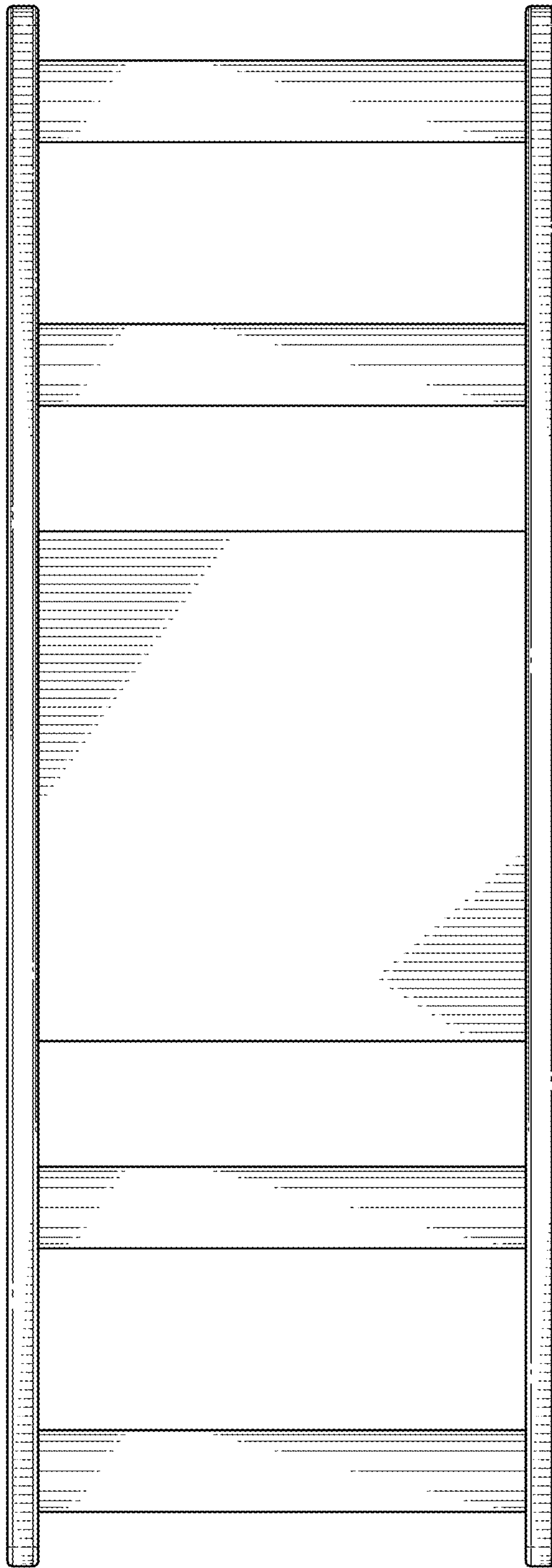


FIG. 2

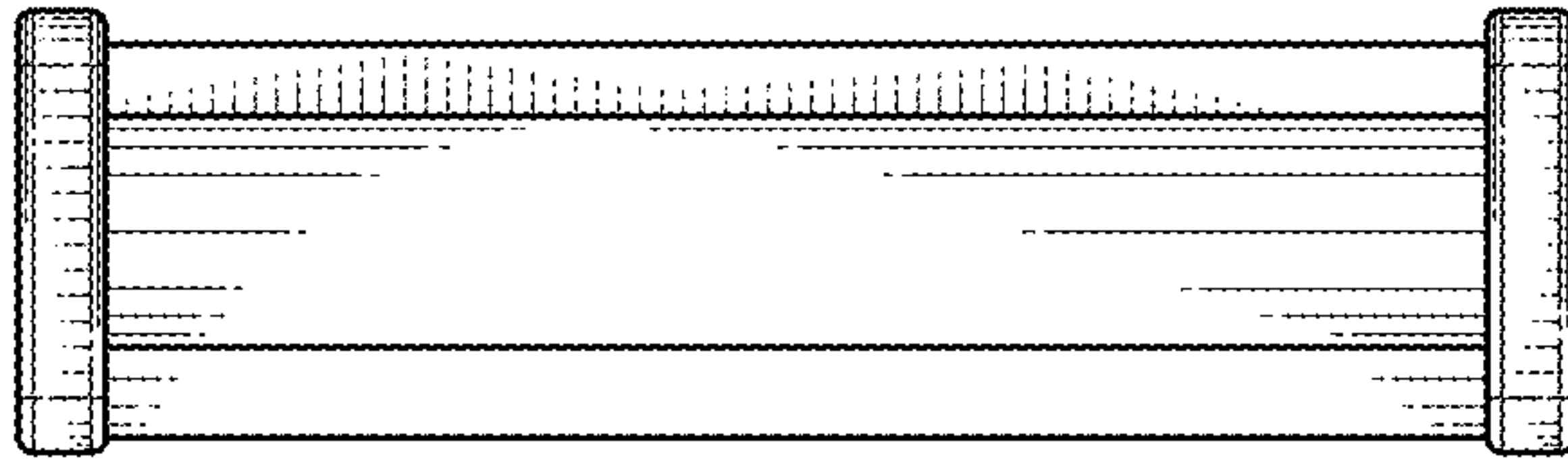


FIG. 3

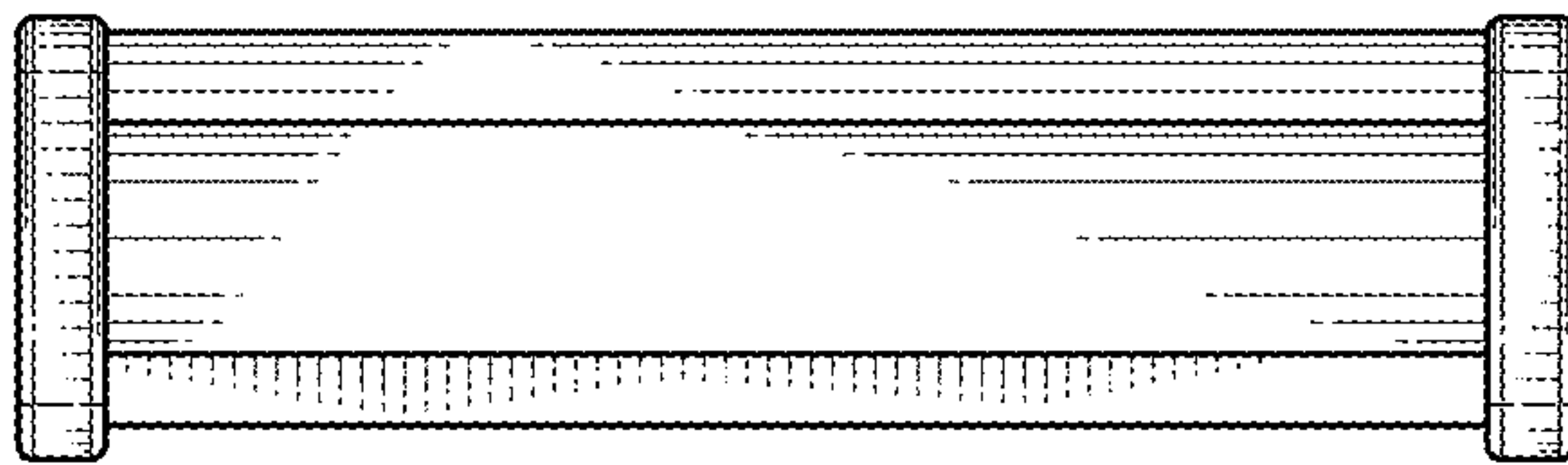


FIG. 4

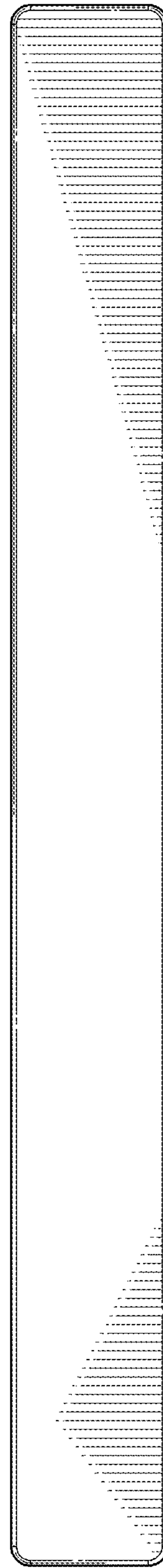


FIG. 5