



US00D803955S

(12) **United States Design Patent** (10) **Patent No.:** **US D803,955 S**
Martelli et al. (45) **Date of Patent:** **** Nov. 28, 2017**

(54) **TOY FIREARM**
(71) Applicant: **FABBRICA D'ARMI PIETRO BERETTA S.P.A.**, Gardone Val Trompia (IT)
(72) Inventors: **Marco Martelli**, Gardone Val Trompia (IT); **Emanuele Marzotto**, Gardone Val Trompia (IT)
(73) Assignee: **FABBRICA D'ARMI PIETRO BERETTA S.p.A.**, Gardone Val Trompia (IT)

D641,825 S * 7/2011 Gridelet D22/103
D662,152 S * 6/2012 Markowitz D21/573
D679,772 S * 4/2013 Mossberg, Jr. D22/103
D708,288 S * 7/2014 Bero D22/103
D729,880 S * 5/2015 Nichols D21/573
D733,223 S * 6/2015 Chu D21/573
D735,288 S * 7/2015 Gomez D22/108
D738,965 S * 9/2015 Yang D21/570
D745,611 S * 12/2015 Chu D21/573
D747,422 S * 1/2016 Chu D21/573
D748,754 S * 2/2016 Chastain D22/108

* cited by examiner

Primary Examiner — Zenia Bennett

(74) *Attorney, Agent, or Firm* — Thomas | Horstemeyer, LLP

(**) Term: **15 Years**
(21) Appl. No.: **35/500,708**
(22) Filed: **Nov. 25, 2015**

(80) **Hague Agreement Data**
Int. Filing Date: **Nov. 25, 2015**
Int. Reg. No.: **DM/089579**
Int. Reg. Date: **Nov. 25, 2015**
Int. Reg. Pub. Date: **Mar. 11, 2016**

(51) **LOC (10) Cl.** **21-01**
(52) **U.S. Cl.**
USPC **D21/573**
(58) **Field of Classification Search**
USPC D21/572–575; D22/103, 108
CPC F41C 23/00; F41C 27/00; F41C 27/06;
F41C 23/10; F41C 23/14; F41C 23/16;
F41C 23/18; F41A 5/18; F41A 5/24
See application file for complete search history.

(56) **References Cited**
U.S. PATENT DOCUMENTS

D638,887 S * 5/2011 En D21/573
D641,824 S * 7/2011 Gridelet D22/103

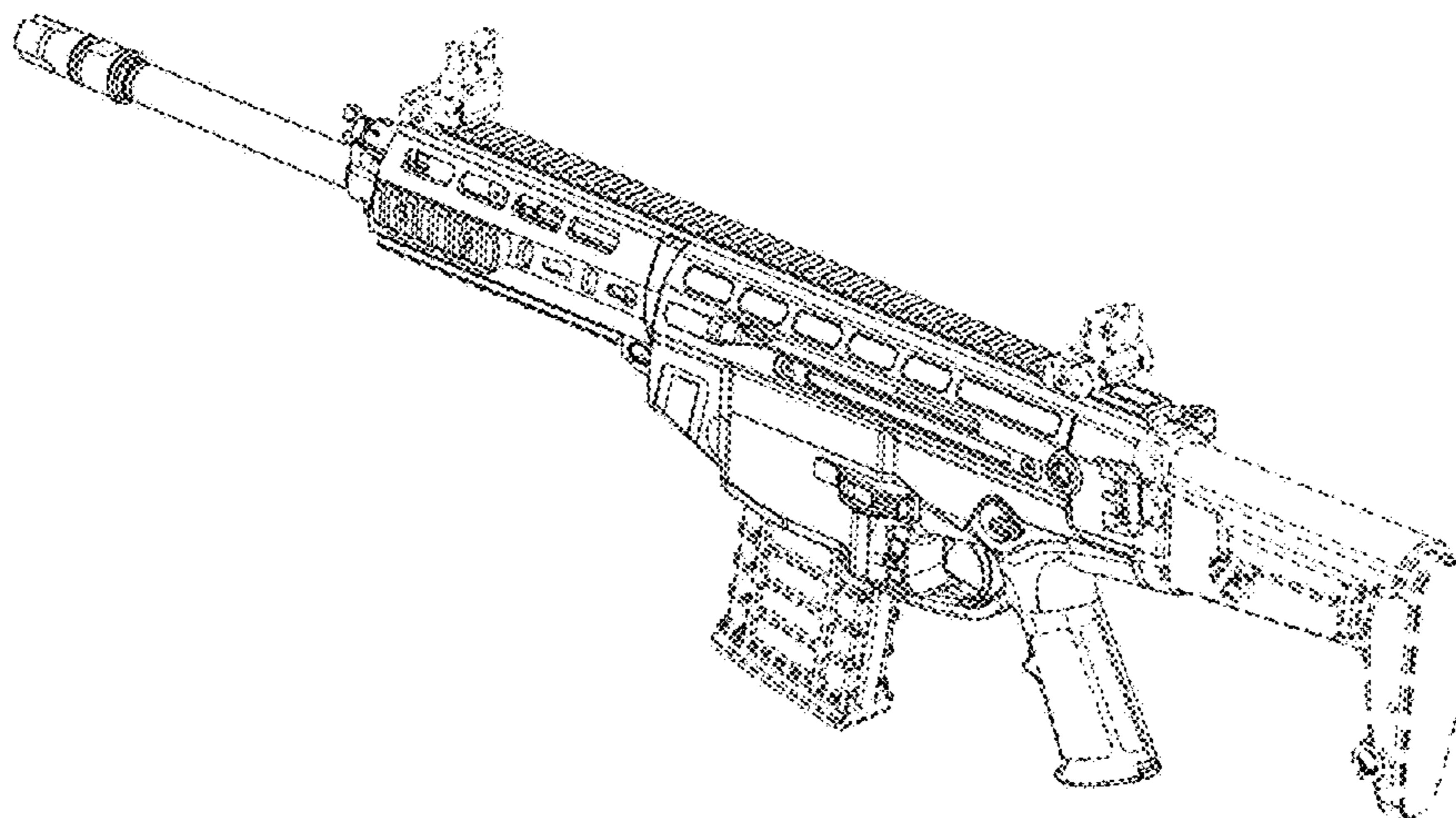
(57) **CLAIM**

The ornamental design for a toy firearm, as shown and described.

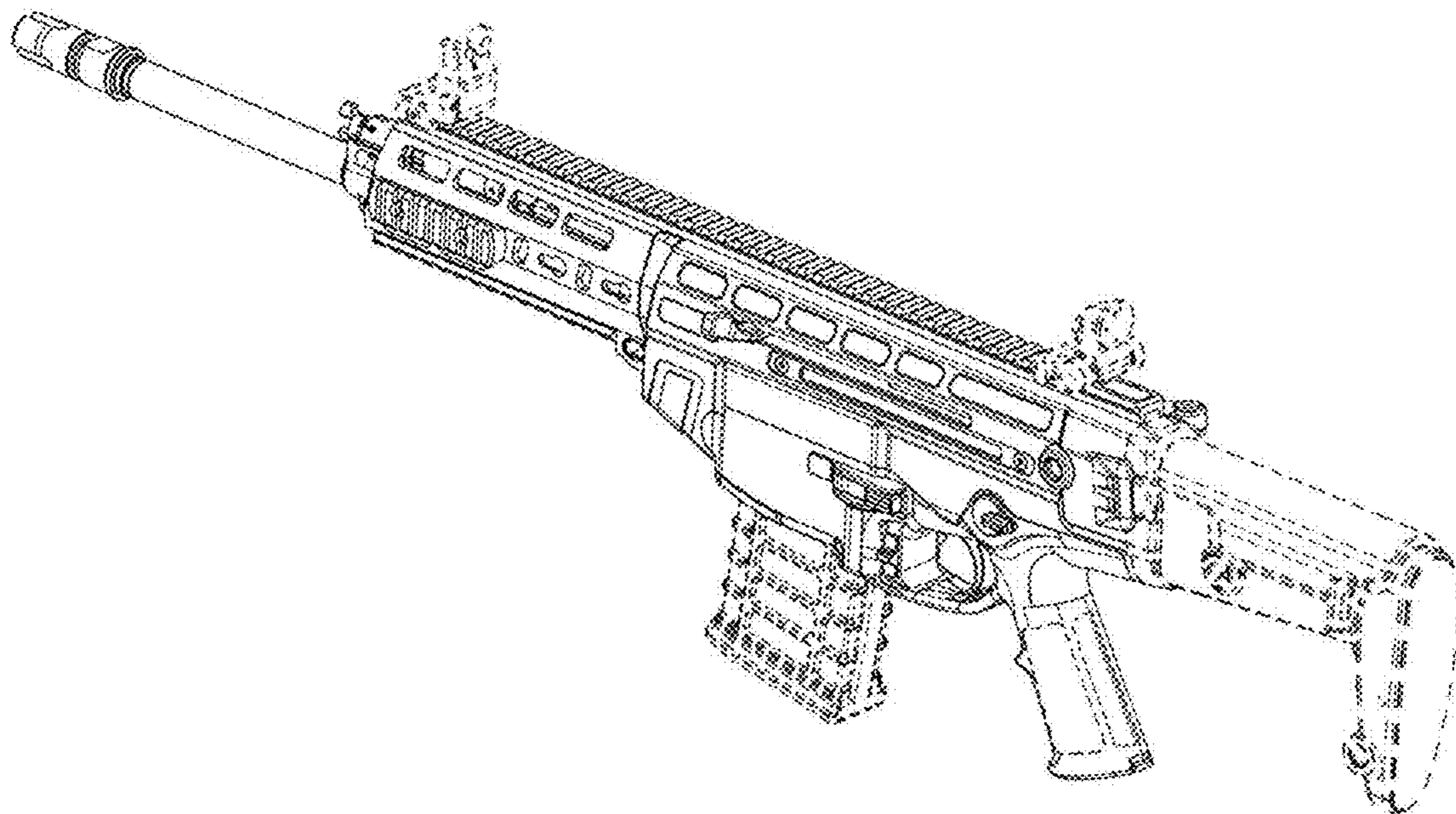
DESCRIPTION

1. Toy firearm
Fig. 1.1 is a perspective view;
Fig. 1.2 is a left side elevation view;
Fig. 1.3 is a right side elevation view;
Fig. 1.4 is a top plan view;
Fig. 1.5 is a bottom plan view;
Fig. 1.6 is a front elevation view;
Fig. 1.7 is a rear elevation view.
The broken lines depicting the portions of the toy firearm in the drawing are for illustrative purposes only and form no part of the claimed design.

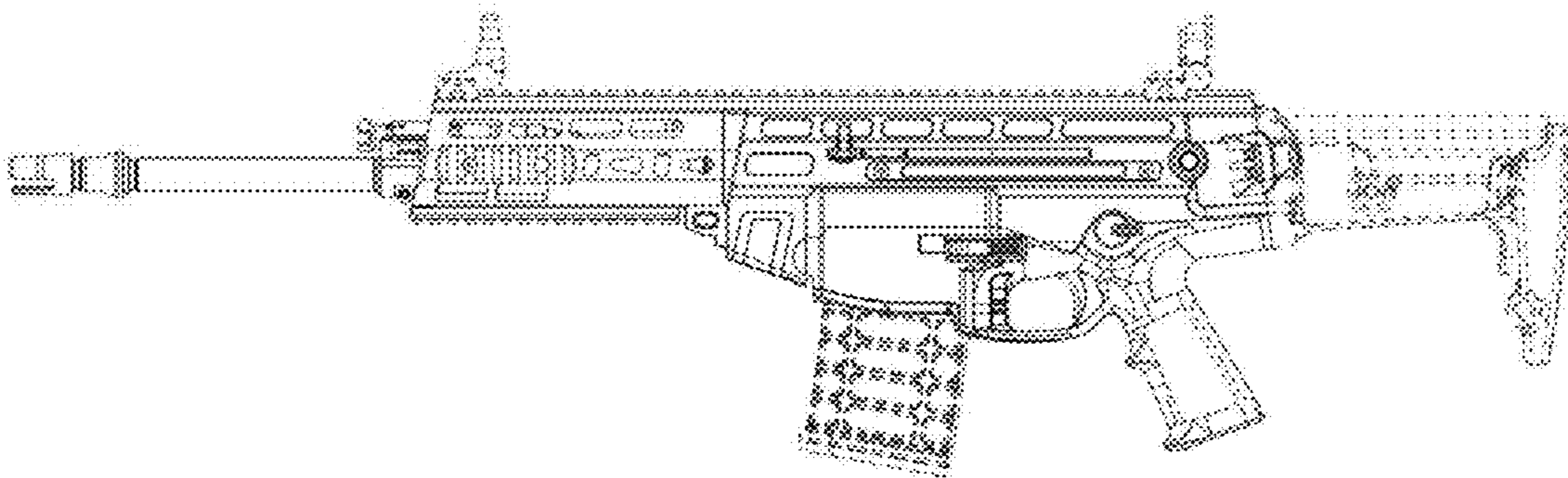
1 Claim, 7 Drawing Sheets



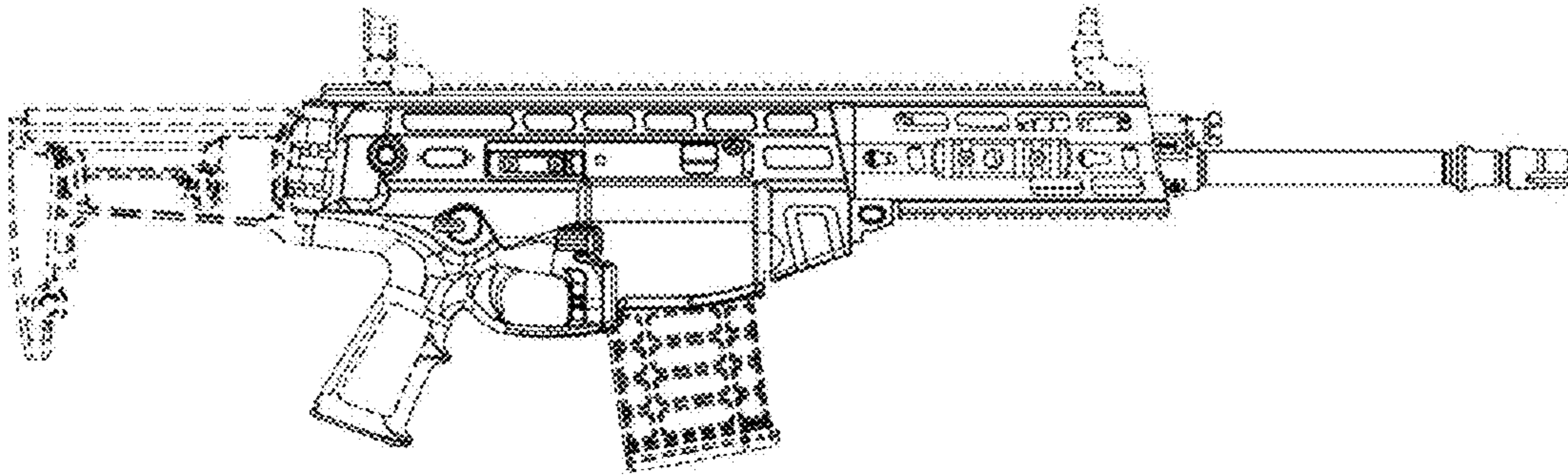
1.1



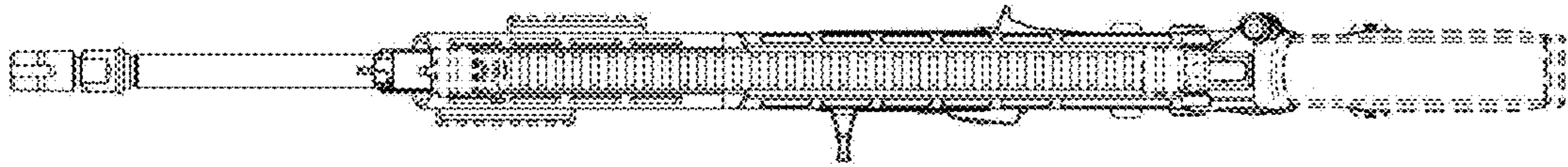
1.2



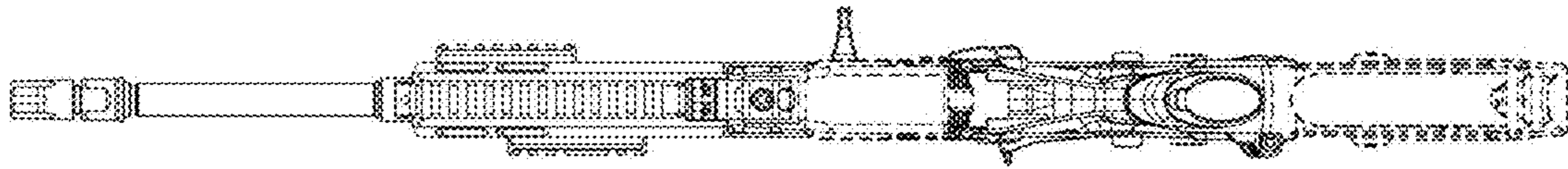
1.3

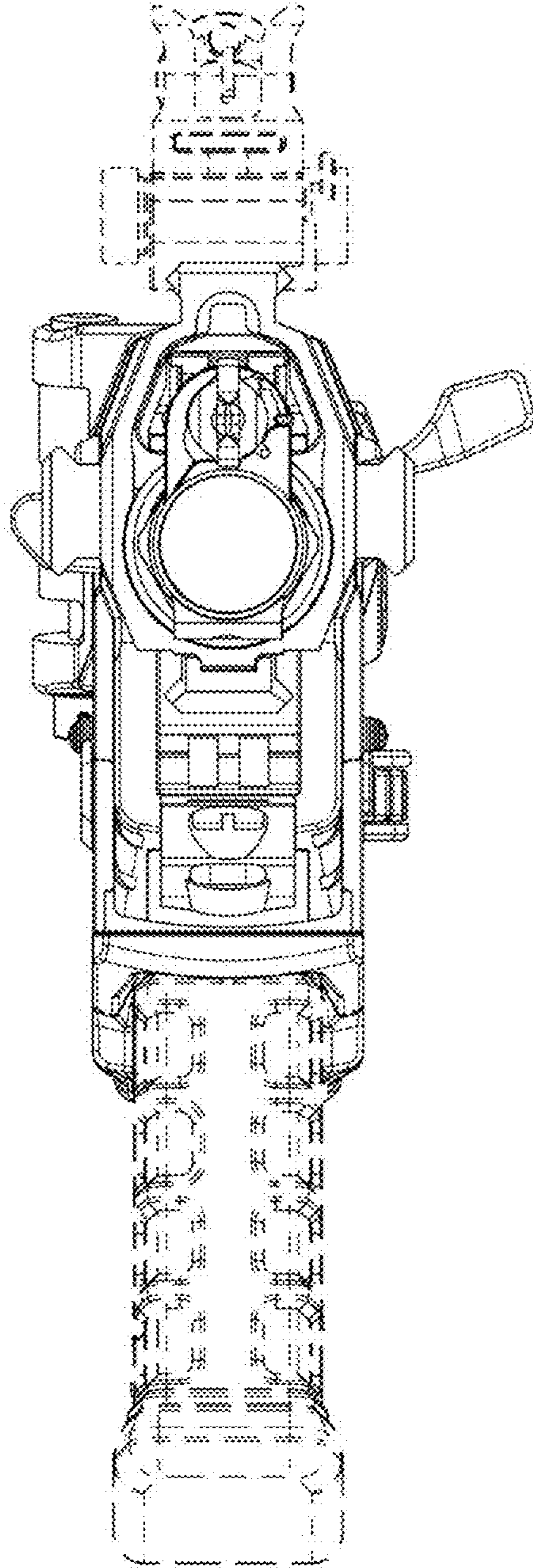


1.4

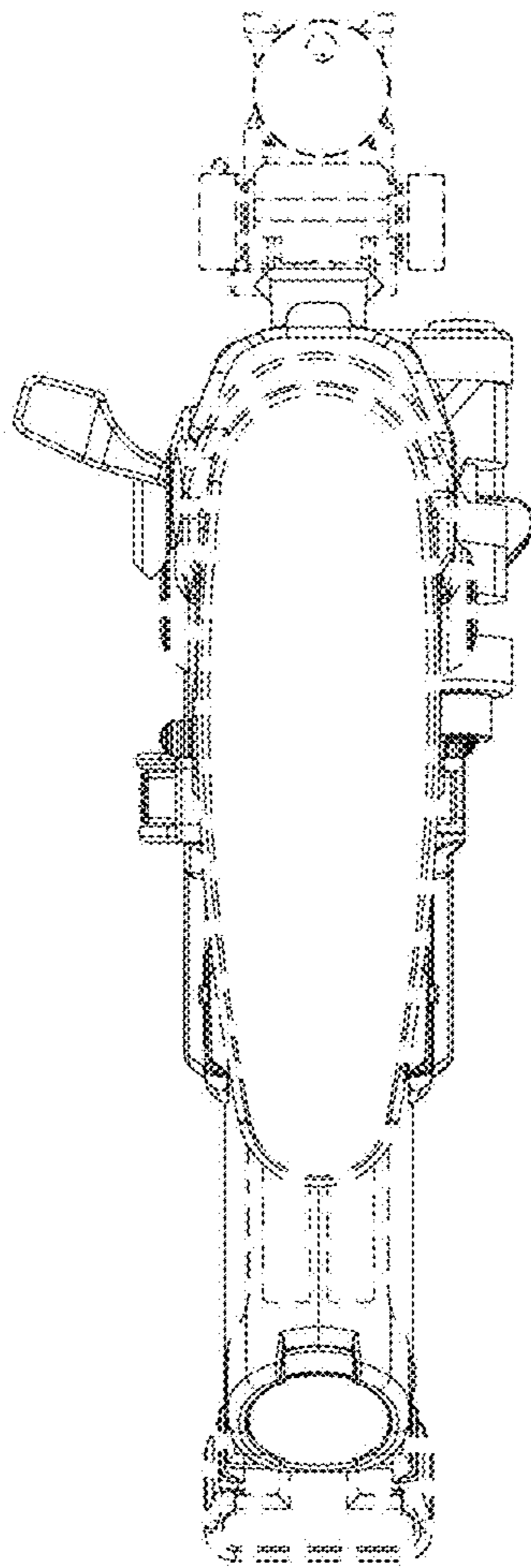


1.5





1.6



1.7