



US00D803954S

(12) **United States Design Patent**
Simonds et al.

(10) **Patent No.:** **US D803,954 S**

(45) **Date of Patent:** **** Nov. 28, 2017**

(54) **8 STUD TRIANGLE**

(71) Applicant: **Chiswick Innovations Limited,**
London (GB)

(72) Inventors: **Colin Duncan Simonds,** London (GB);
James Campbell Duncan Simonds,
London (GB)

(73) Assignee: **CHISWICK INNOVATIONS**
LIMITED, London (GB)

(**) Term: **15 Years**

(21) Appl. No.: **29/581,133**

(22) Filed: **Oct. 17, 2016**

(30) **Foreign Application Priority Data**

Apr. 18, 2016 (EP) 003074061

(51) **LOC (10) Cl.** **21-01**

(52) **U.S. Cl.**
USPC **D21/505**

(58) **Field of Classification Search**
USPC D21/484, 485, 490, 493, 494, 495, 500,
D21/504, 505; 446/69, 85, 102-128;
434/259, 403; 273/153, 153 P, 156
CPC A63H 33/04; A63H 33/06; A63H 33/08;
A63H 33/084; A63H 33/086; A63H
33/088; A63H 33/10; A63H 33/105;
A63H 33/108
See application file for complete search history.

(56) **References Cited**

U.S. PATENT DOCUMENTS

2,649,803 A * 8/1953 Andre A63H 33/062
446/102
D313,437 S * 1/1991 Andersen D21/495

D343,426 S * 1/1994 Sher 446/128
D352,077 S * 11/1994 Sher D21/505
5,746,638 A * 5/1998 Shiraishi A63H 33/046
446/131
6,034,821 A * 3/2000 Schenfeld G02B 6/4249
359/618
6,749,480 B1 * 6/2004 Hunts A63H 33/046
446/85
7,063,587 B1 * 6/2006 Lin A63H 33/086
273/156
D538,357 S * 3/2007 Salmon D21/505
D544,552 S * 6/2007 Lin D21/505
D573,203 S * 7/2008 Chun D21/505
7,507,136 B2 * 3/2009 Patton A63H 33/046
335/285
D748,742 S * 2/2016 Simonds D21/505

* cited by examiner

Primary Examiner — Cynthia M Chin

(74) *Attorney, Agent, or Firm* — Jacobson Holman,
PLLC.

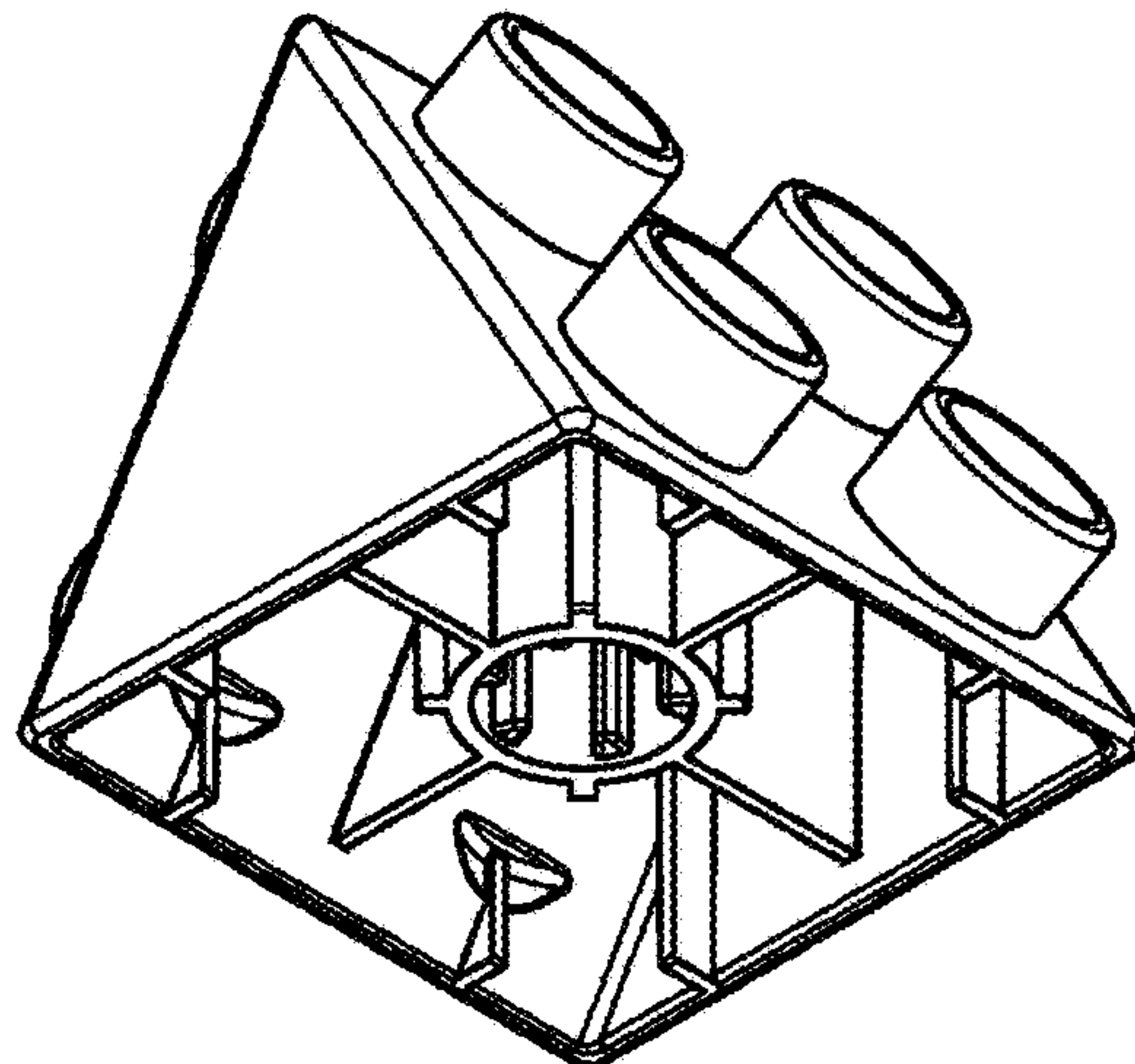
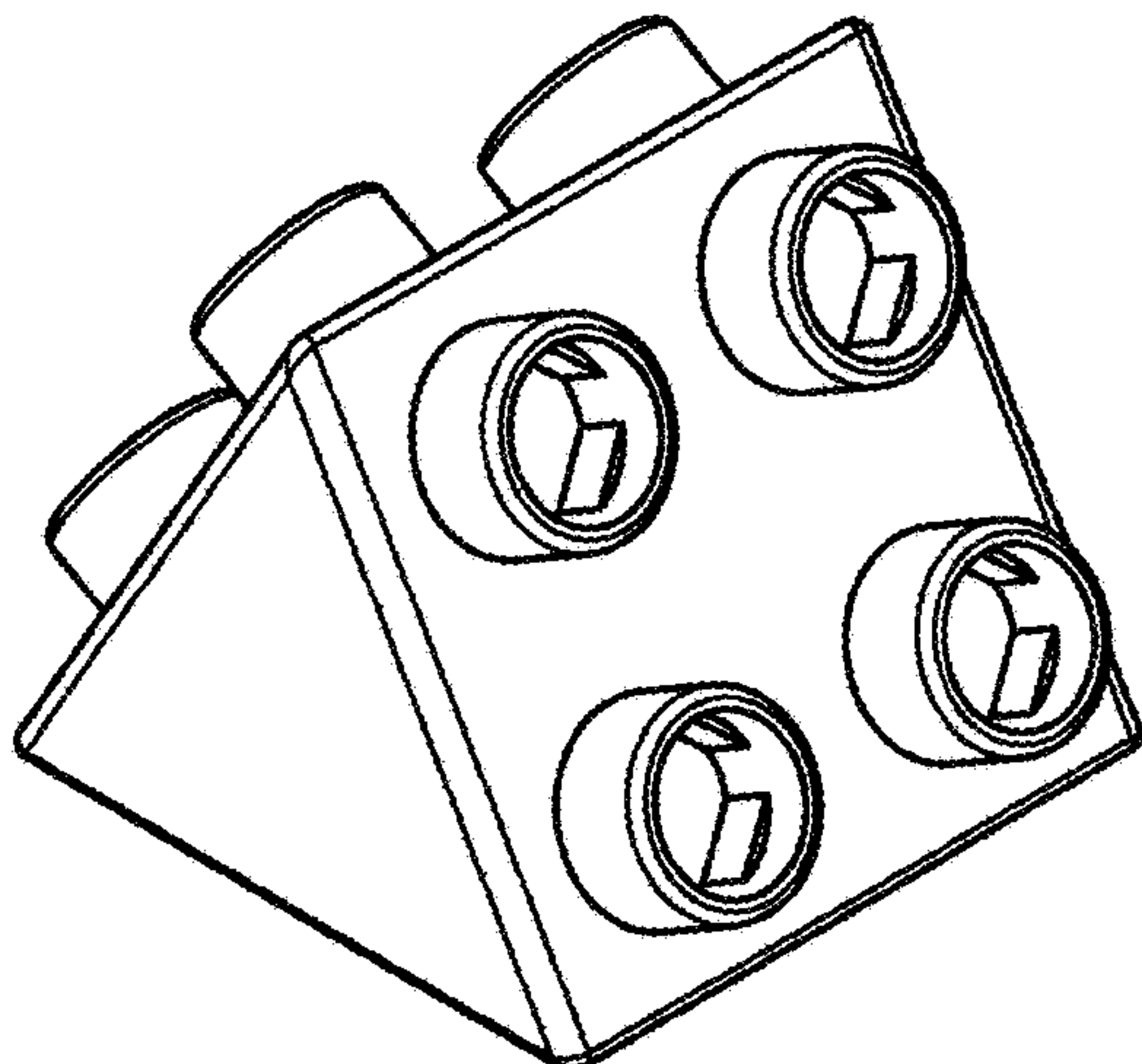
(57) **CLAIM**

We claim the ornamental design for an 8 stud triangle, as shown and described.

DESCRIPTION

FIG. 1 is a top front perspective view of the 8 stud triangle, FIG. 2 is bottom perspective view thereof; FIG. 3 is a top plan thereof; FIG. 4 is a bottom view thereof; FIG. 5 is a side elevational view thereof; FIG. 6 is a side elevational view thereof turned 90 degrees; FIG. 7 is a side elevational view thereof turned 180 degrees; and, FIG. 8 is a side elevational view thereof turned 90 degrees.

1 Claim, 5 Drawing Sheets



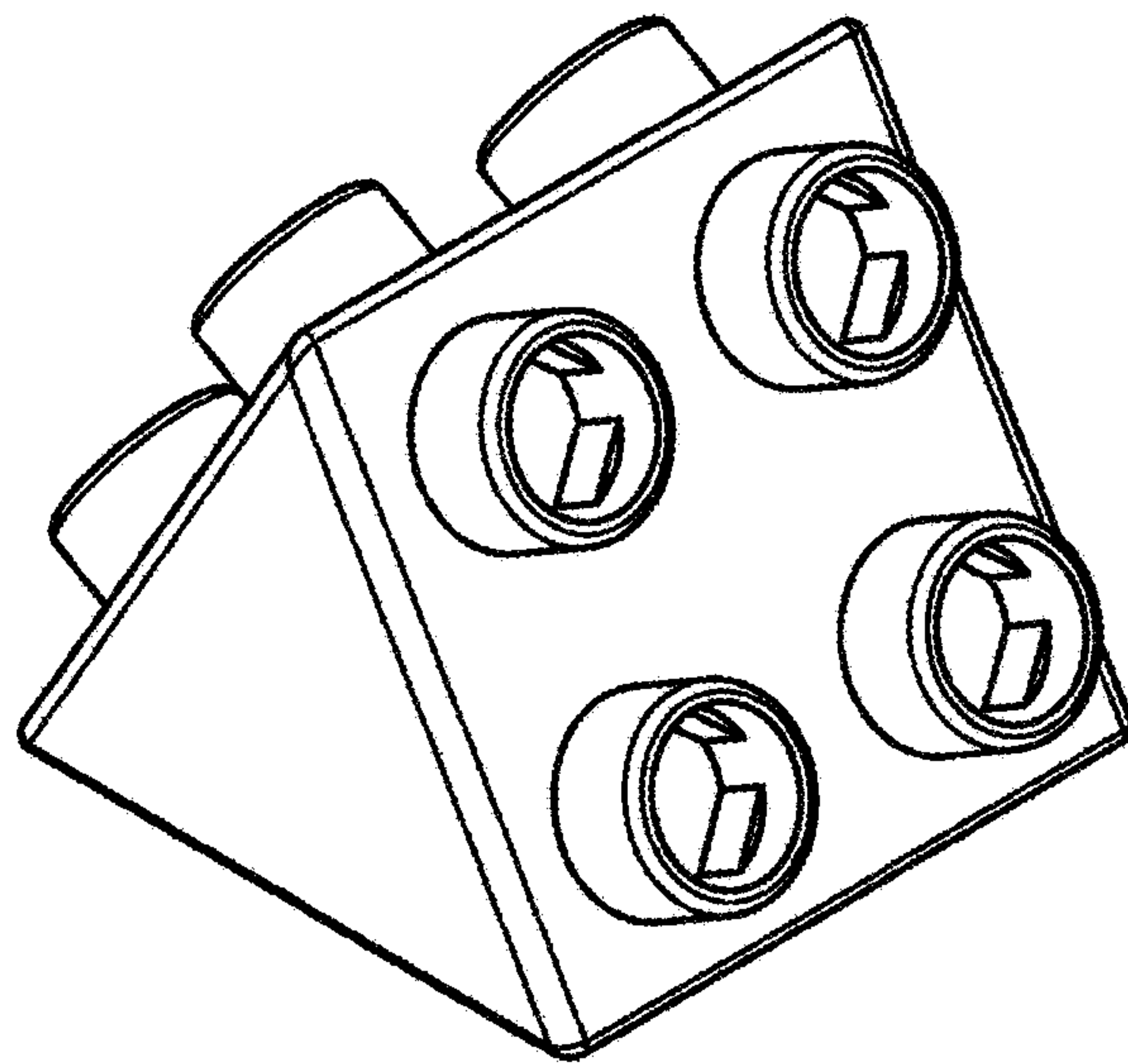


FIG. 1

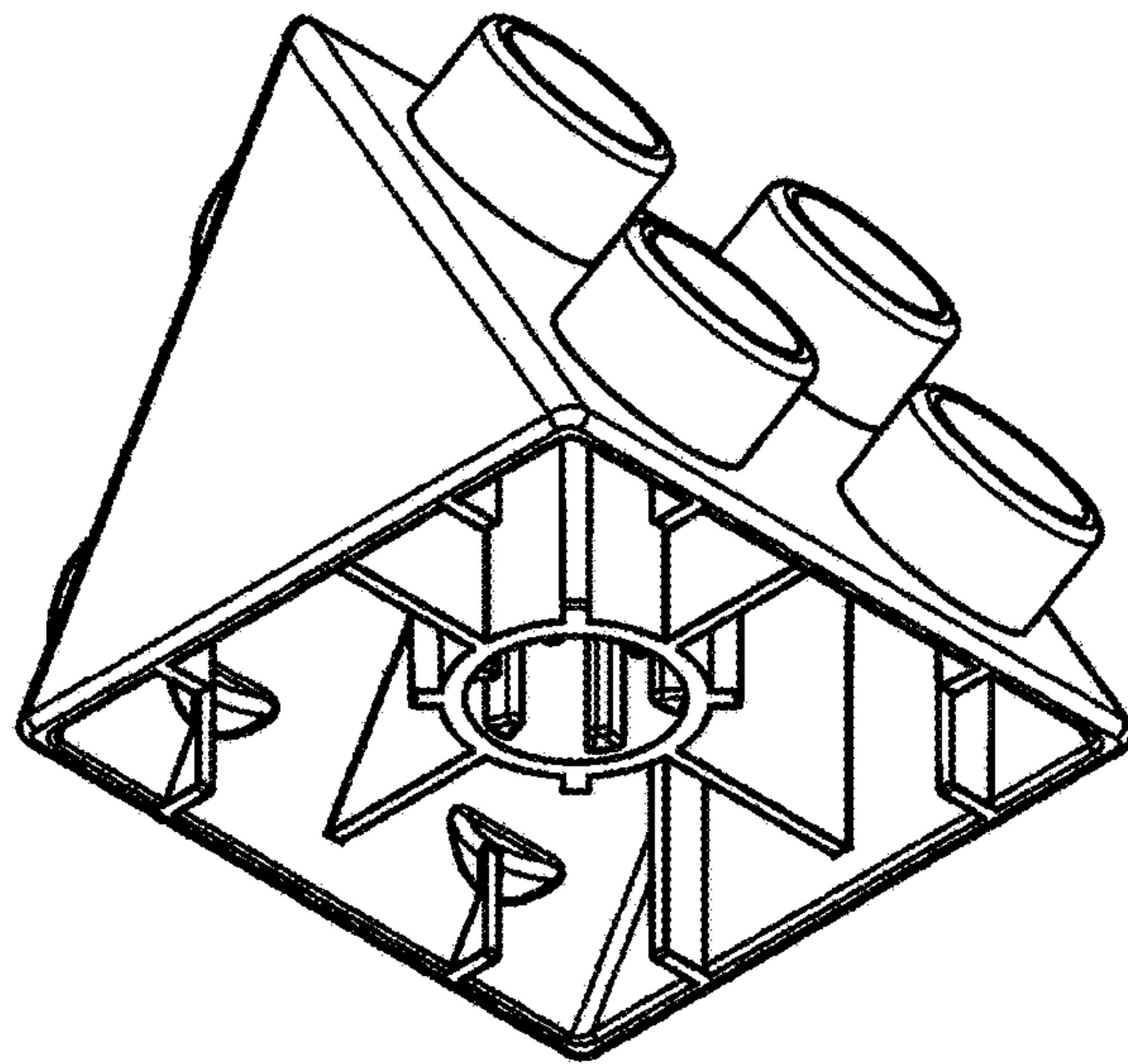


FIG. 2

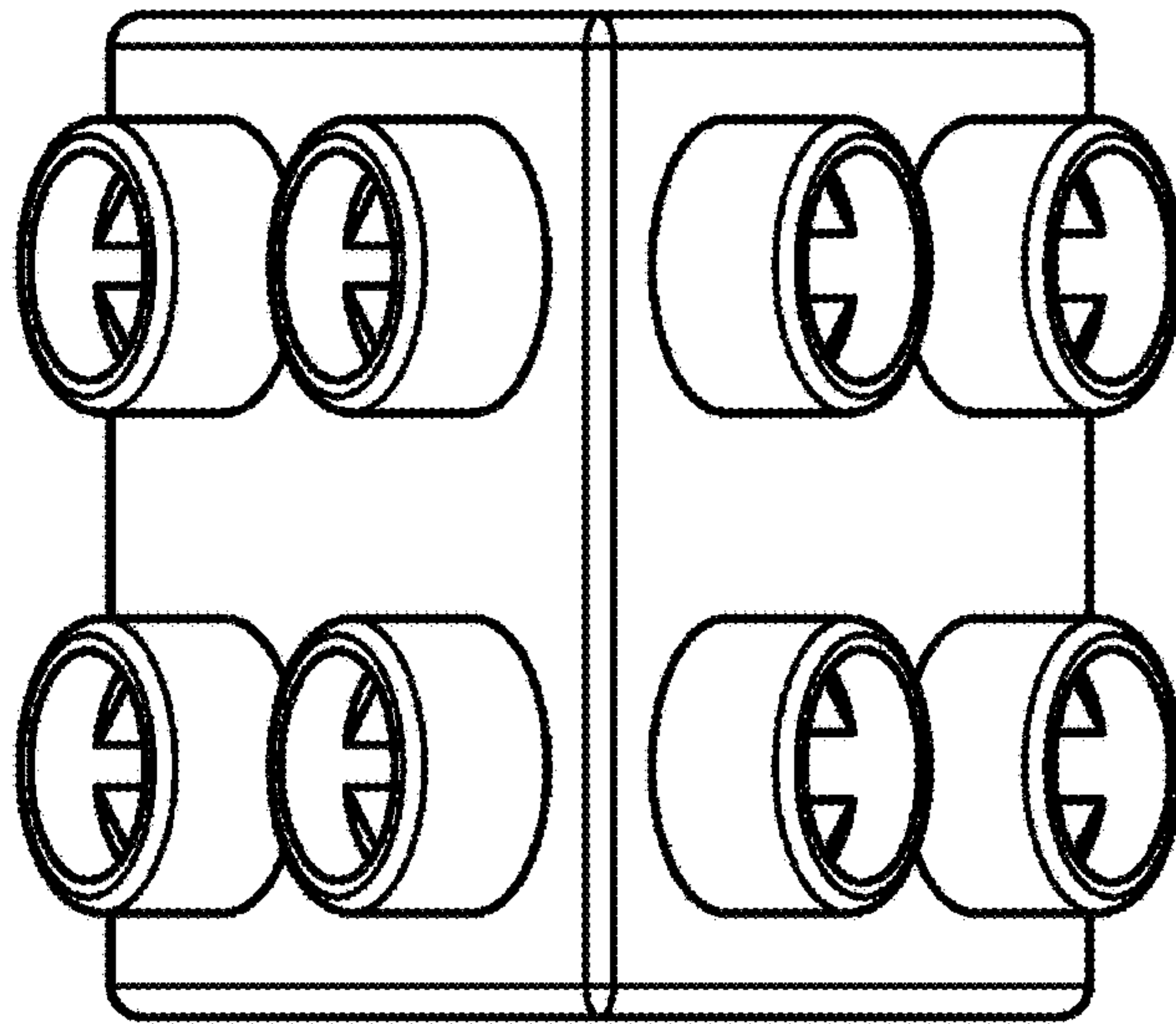


FIG. 3

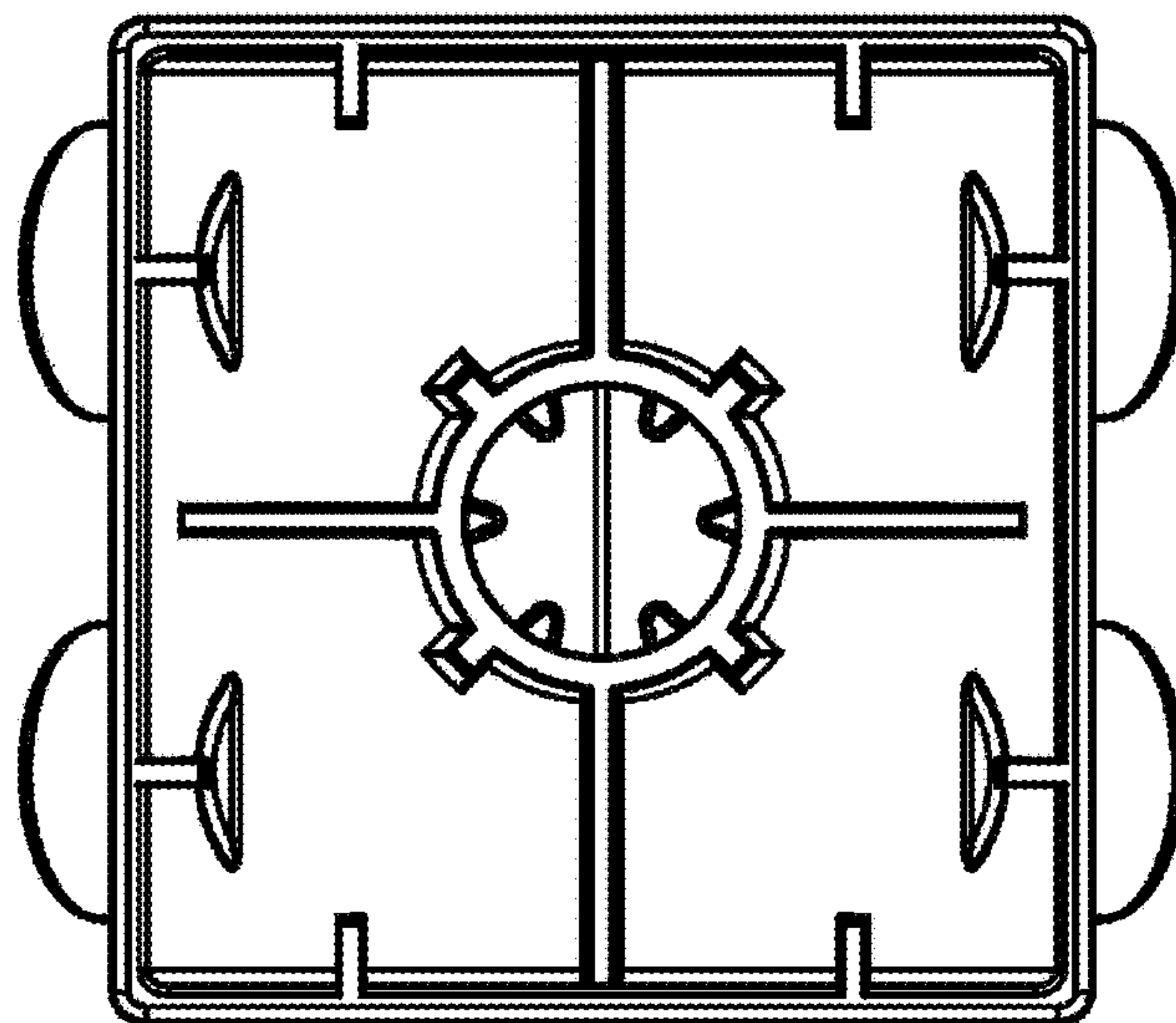


FIG. 4

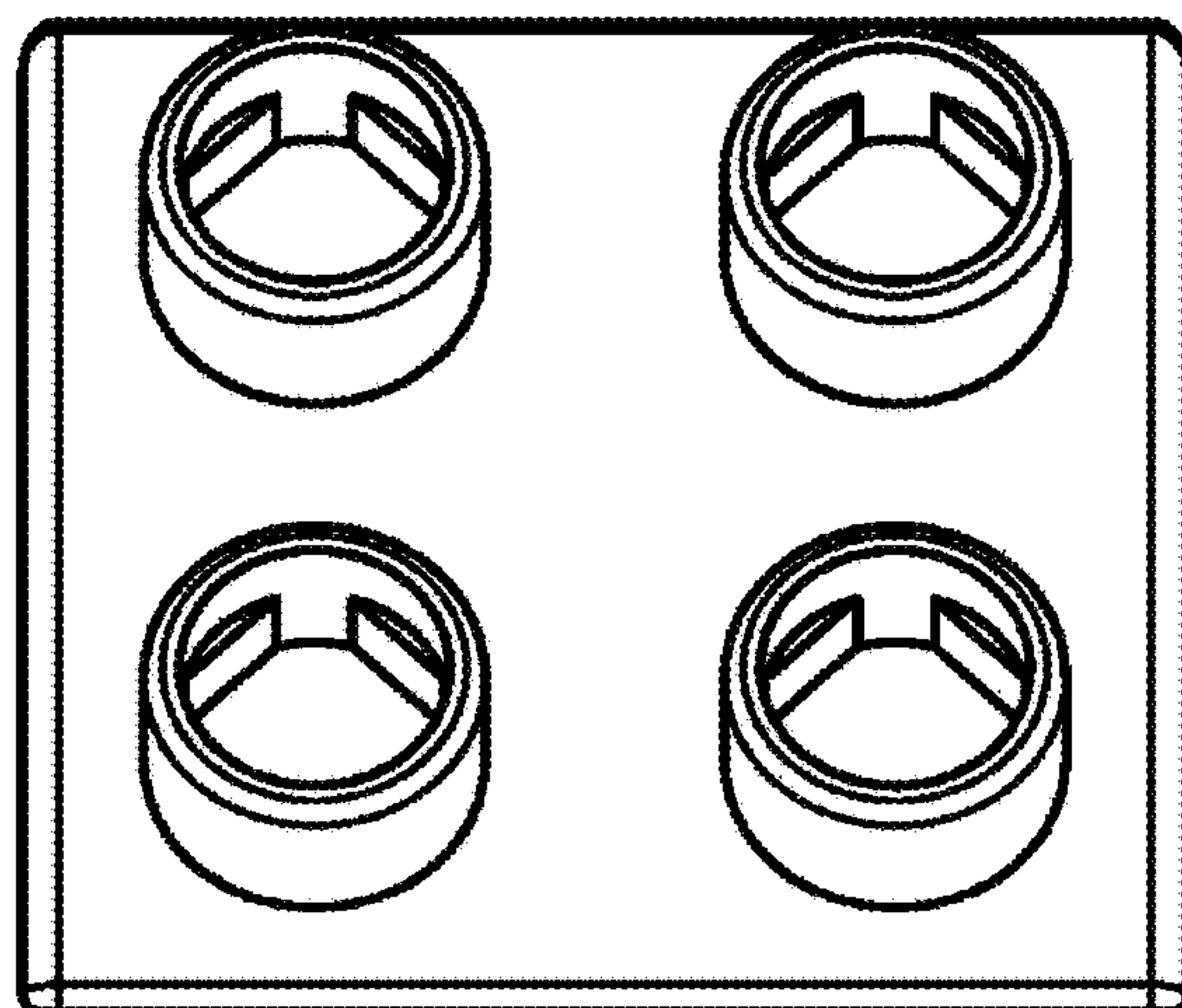


FIG. 5

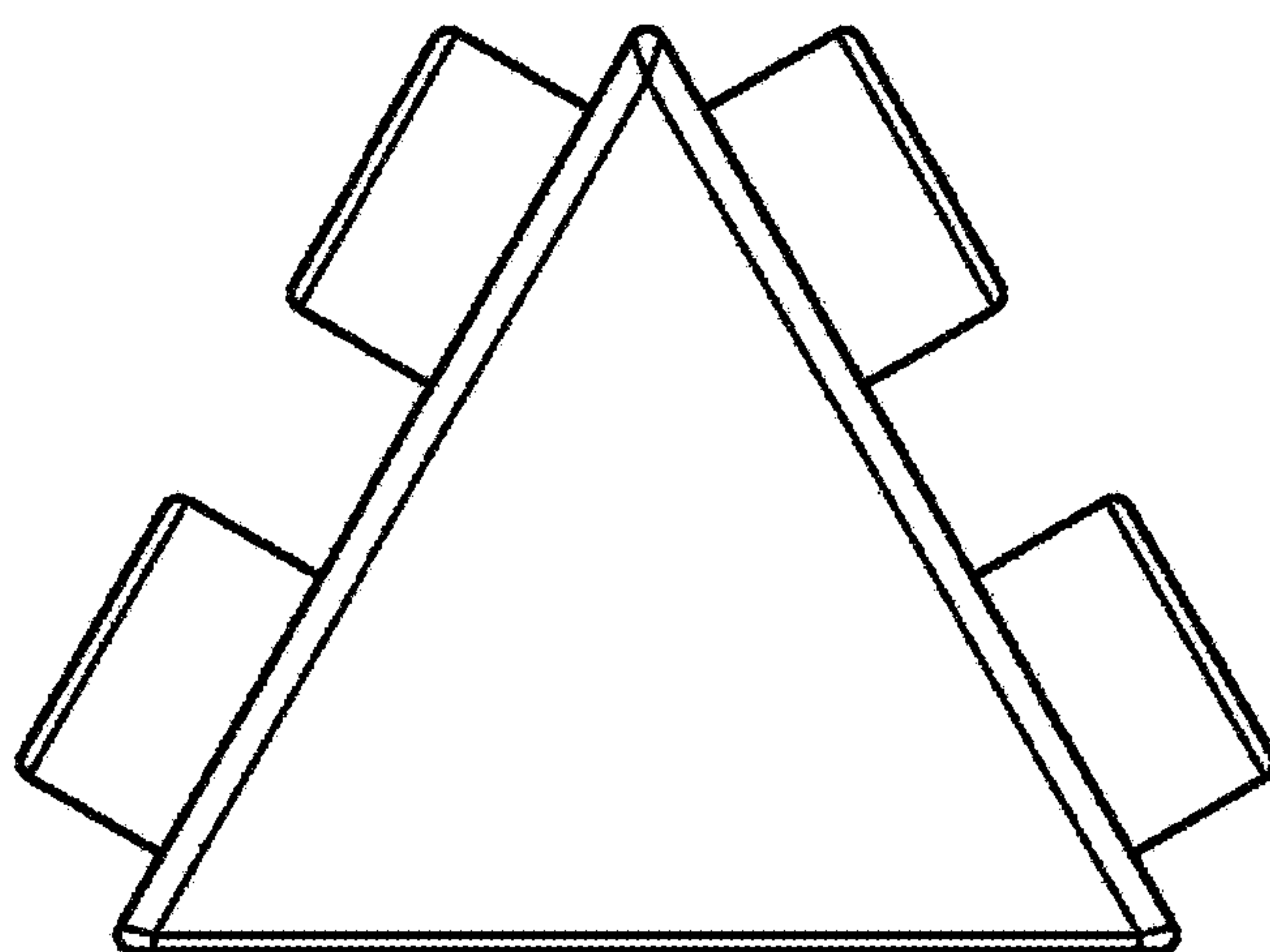


FIG. 6

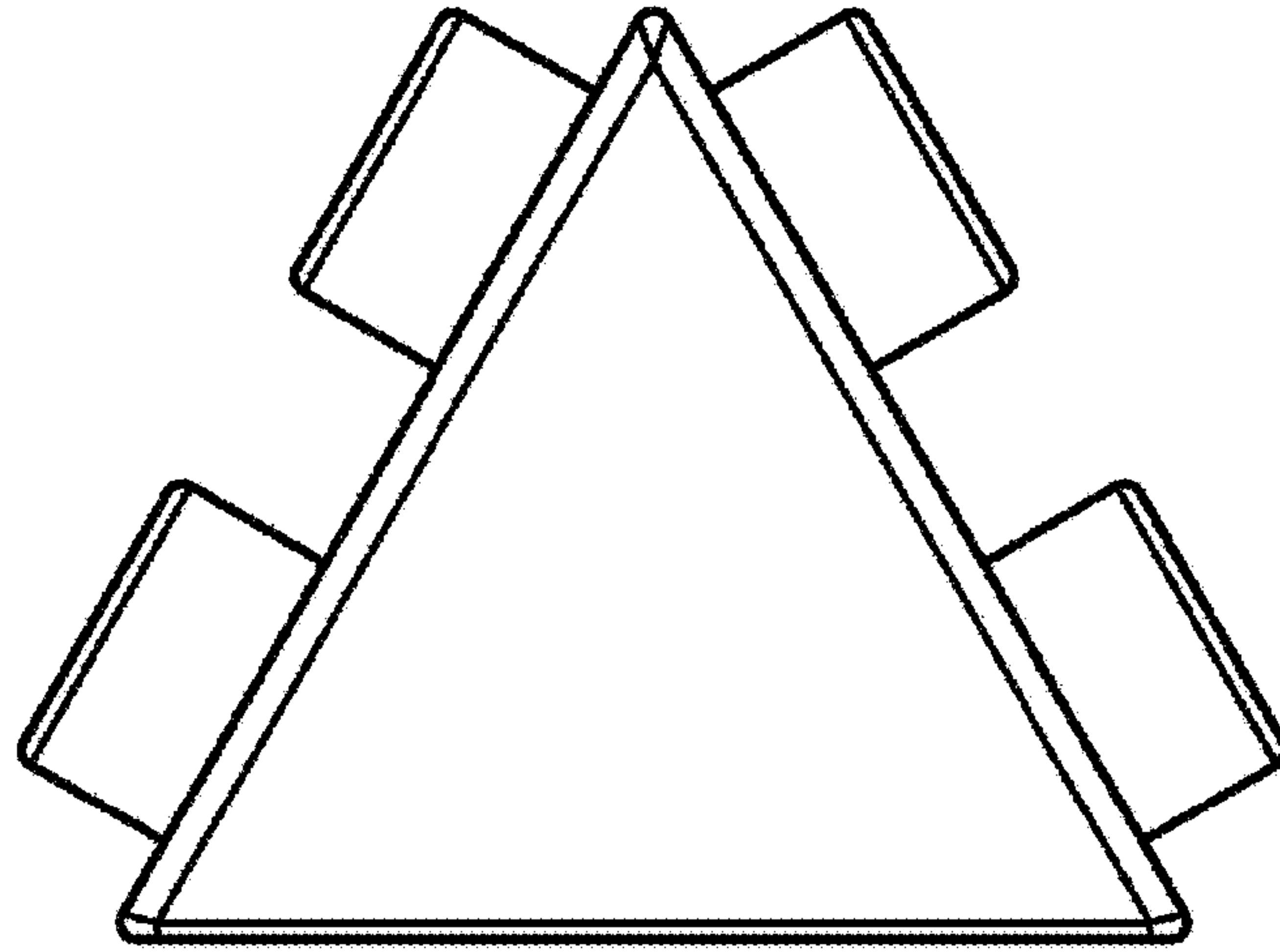


FIG. 7

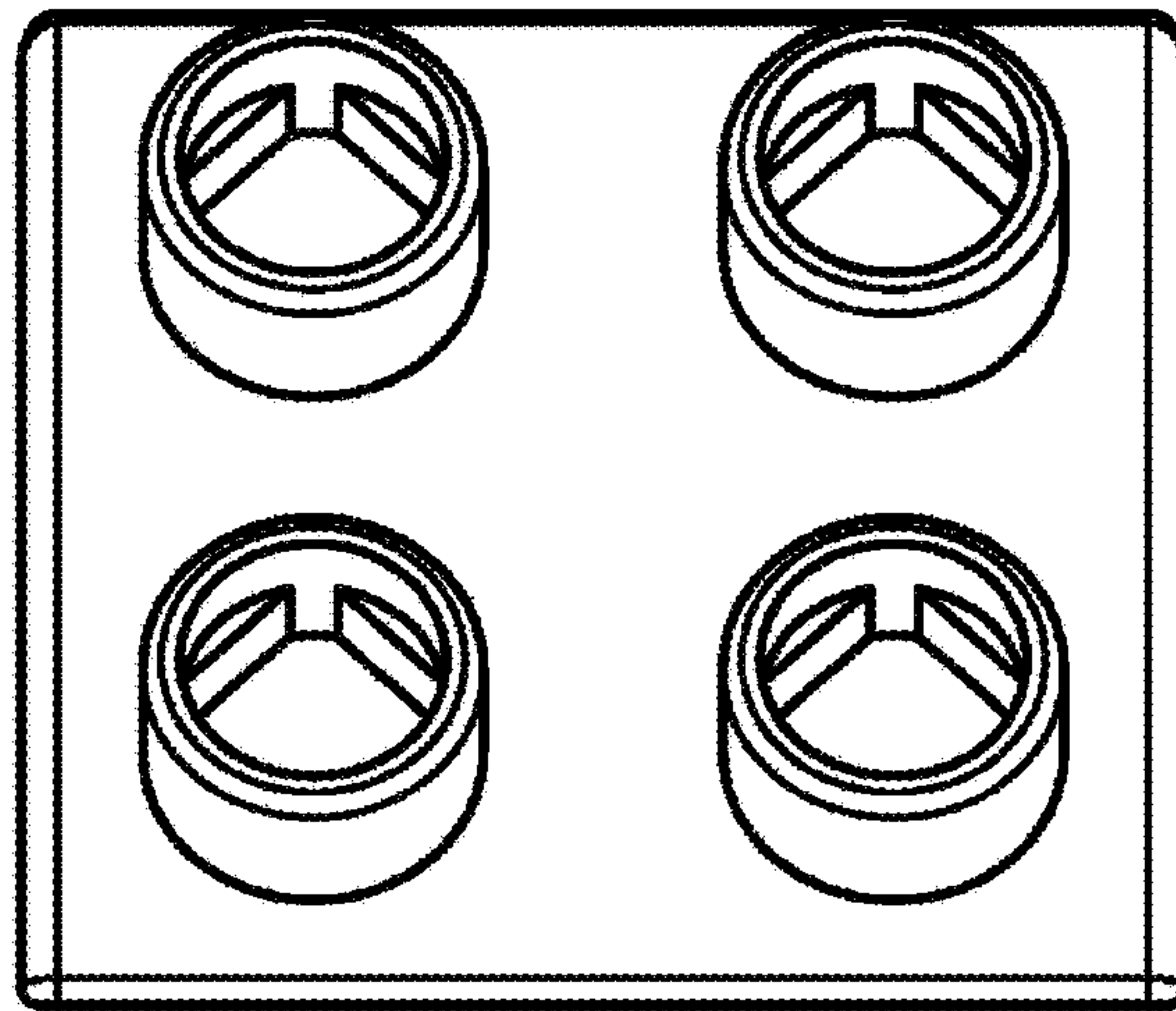


FIG. 8