



US00D803951S

(12) **United States Design Patent** (10) **Patent No.:** **US D803,951 S**
Belker et al. (45) **Date of Patent:** **** Nov. 28, 2017**

(54) **TOY CUBE**
(71) Applicant: **Anki, Inc.**, San Francisco, CA (US)
(72) Inventors: **Harald Belker**, Marina Del Ray, CA (US); **David McVicar**, El Dorado, CA (US); **Hanns Tappeiner**, San Francisco, CA (US)
(73) Assignee: **Anki, Inc.**, San Francisco, CA (US)

D446,826 S * 8/2001 Dunn D21/398
6,366,758 B1 * 4/2002 Dunn G09B 1/00
434/319
D482,742 S * 11/2003 May D21/499
D581,553 S * 11/2008 Cooper D25/163
D722,658 S * 2/2015 Marschall D21/499
D726,261 S * 4/2015 Uno D21/499
9,068,352 B2 * 6/2015 Thompson E04B 1/34
D792,607 S * 7/2017 Penterman D25/113
D792,608 S * 7/2017 Penterman D25/113
2013/0232938 A1 * 9/2013 Roth B29C 53/564
57/258

(**) Term: **15 Years**

* cited by examiner

(21) Appl. No.: **29/587,803**

Primary Examiner — Cynthia M Chin

(22) Filed: **Dec. 15, 2016**

(74) *Attorney, Agent, or Firm* — Fish & Richardson P.C.

(51) **LOC (10) Cl.** **21-01**

(57) **CLAIM**

(52) **U.S. Cl.**
USPC **D21/499**

The ornamental design for a toy cube, as shown and described.

(58) **Field of Classification Search**
USPC D21/386, 389, 404, 468, 470, 471, D21/484–505; 446/69, 85, 102–128; 434/208, 259, 403; 273/153, 156, 160; D25/113–116, 118
CPC A63H 33/04; A63H 33/06; A63H 33/08; A63H 33/084; A63H 33/086; A63H 33/088; A63H 33/10; A63H 33/105; A63H 33/108
See application file for complete search history.

DESCRIPTION

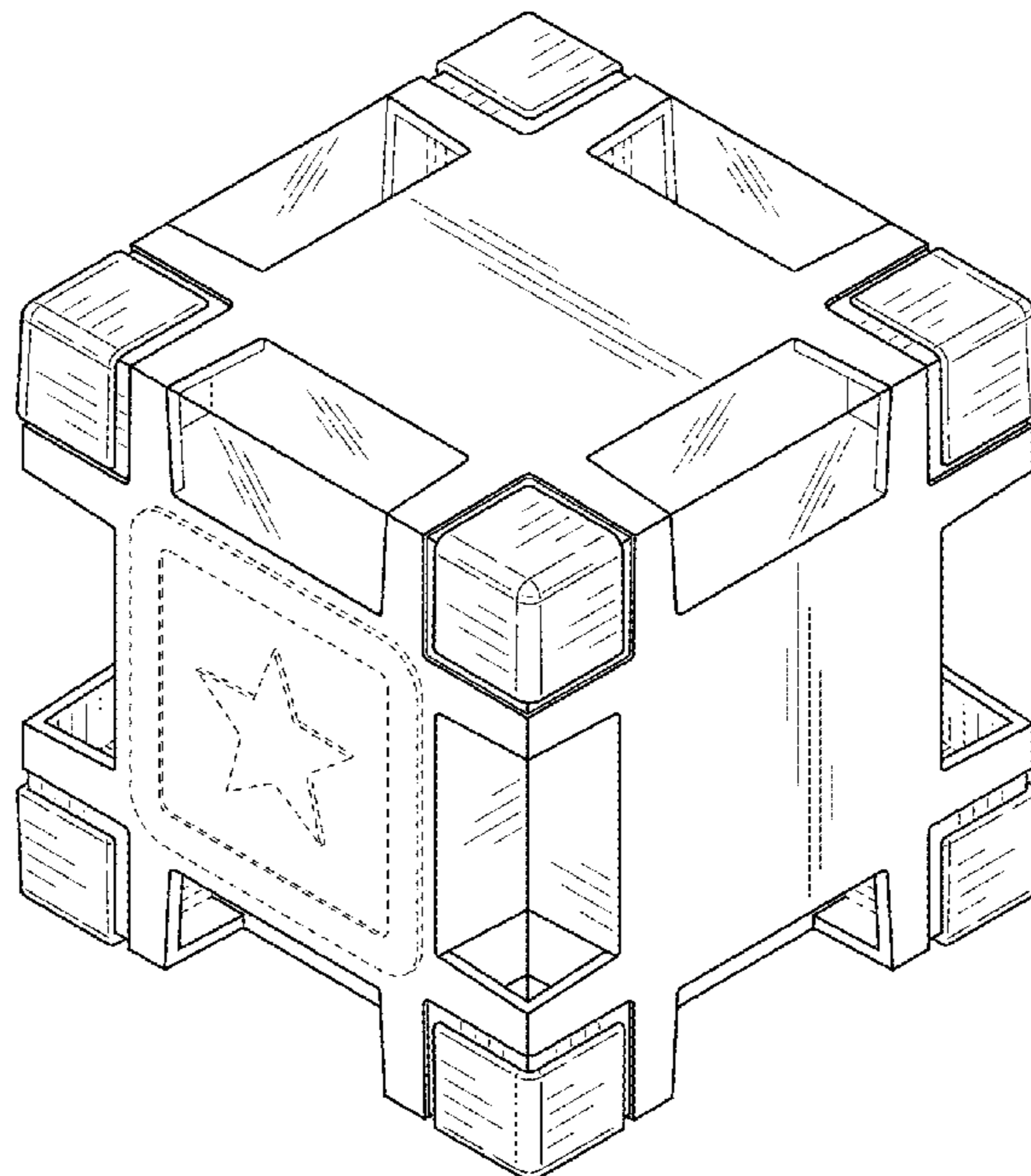
FIG. 1 is a front perspective view of a toy cube according to a first embodiment of our design;
FIG. 2 is a front elevational view thereof;
FIG. 3 is a rear elevational view thereof;
FIG. 4 is a right side elevational view thereof;
FIG. 5 is a left side elevational view thereof;
FIG. 6 is a top plan view thereof;
FIG. 7 is a bottom plan view thereof;
FIG. 8 is a rear bottom perspective view thereof; and,
FIG. 9 is a cross-sectional view taken along line 9-9 looking upward, the cross-sectional view taken along line 9-9 looking downward being a mirror image thereof.
The broken lines are for the purpose of illustrating portions of the article that form no part of the claim.

(56) **References Cited**

U.S. PATENT DOCUMENTS

D235,570 S * 6/1975 Barton D21/499
5,417,603 A * 5/1995 De Chazal A63F 9/001
108/62
D403,028 S * 12/1998 Barton, Jr. D21/486

1 Claim, 6 Drawing Sheets



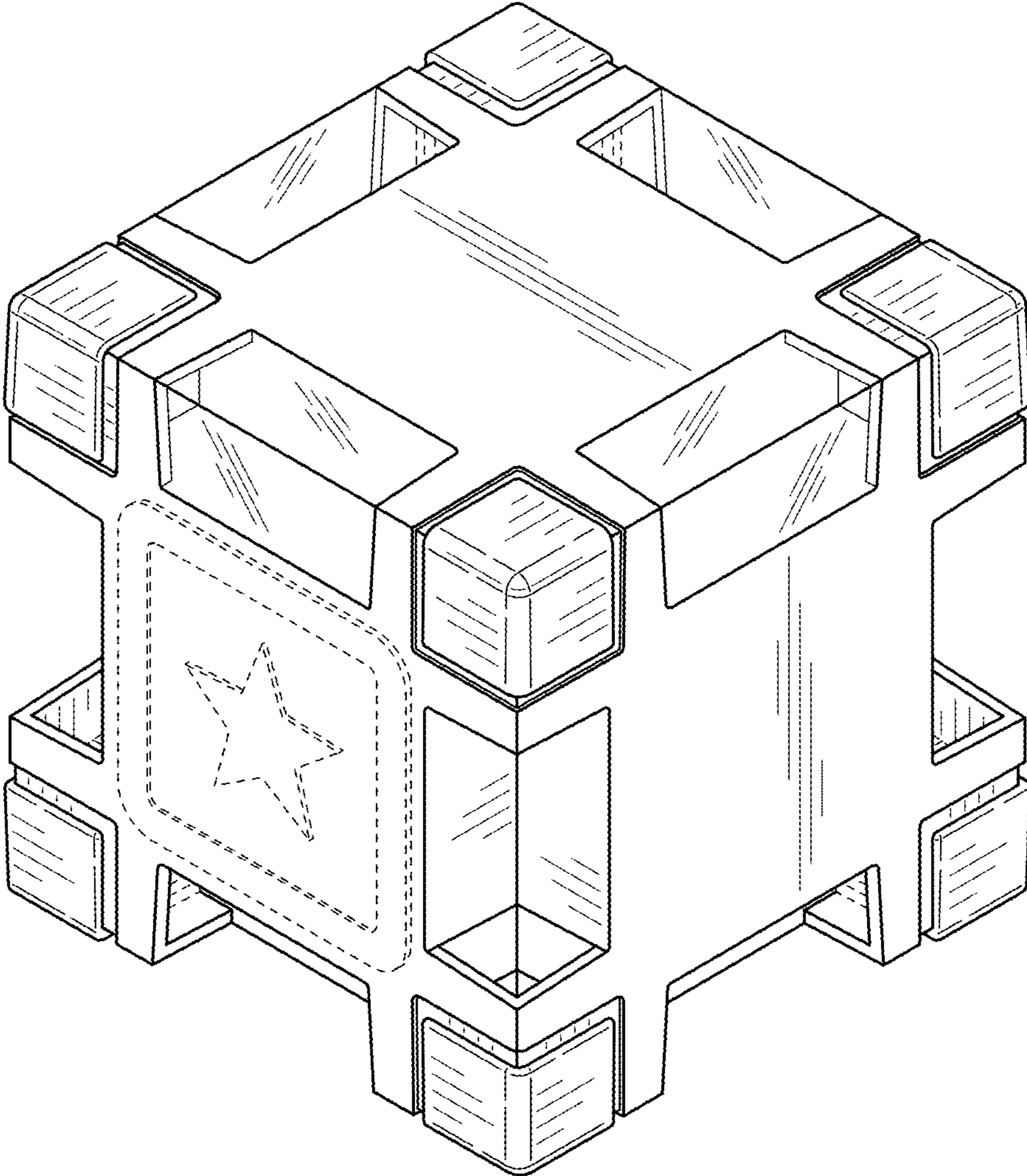


FIG. 1

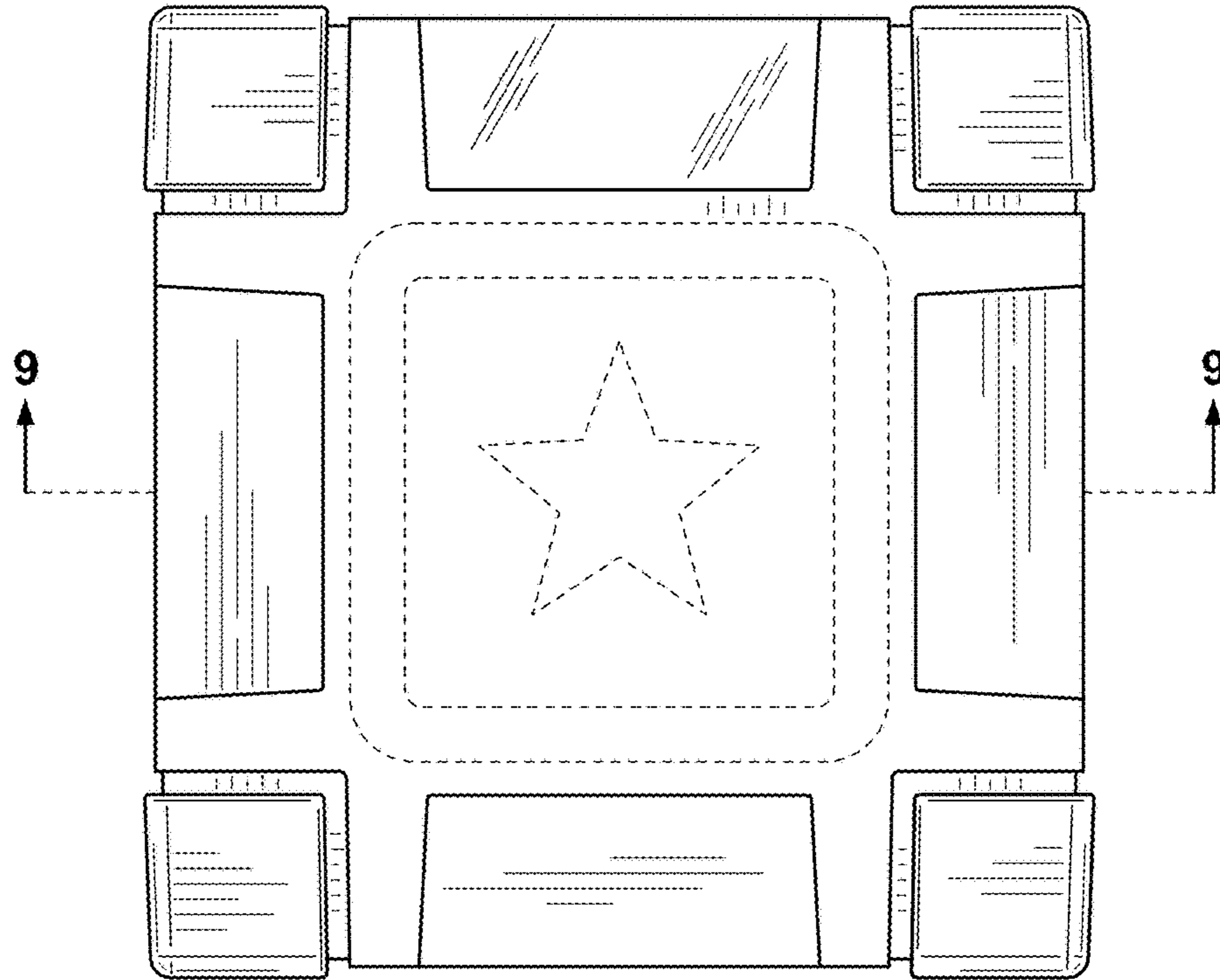


FIG. 2

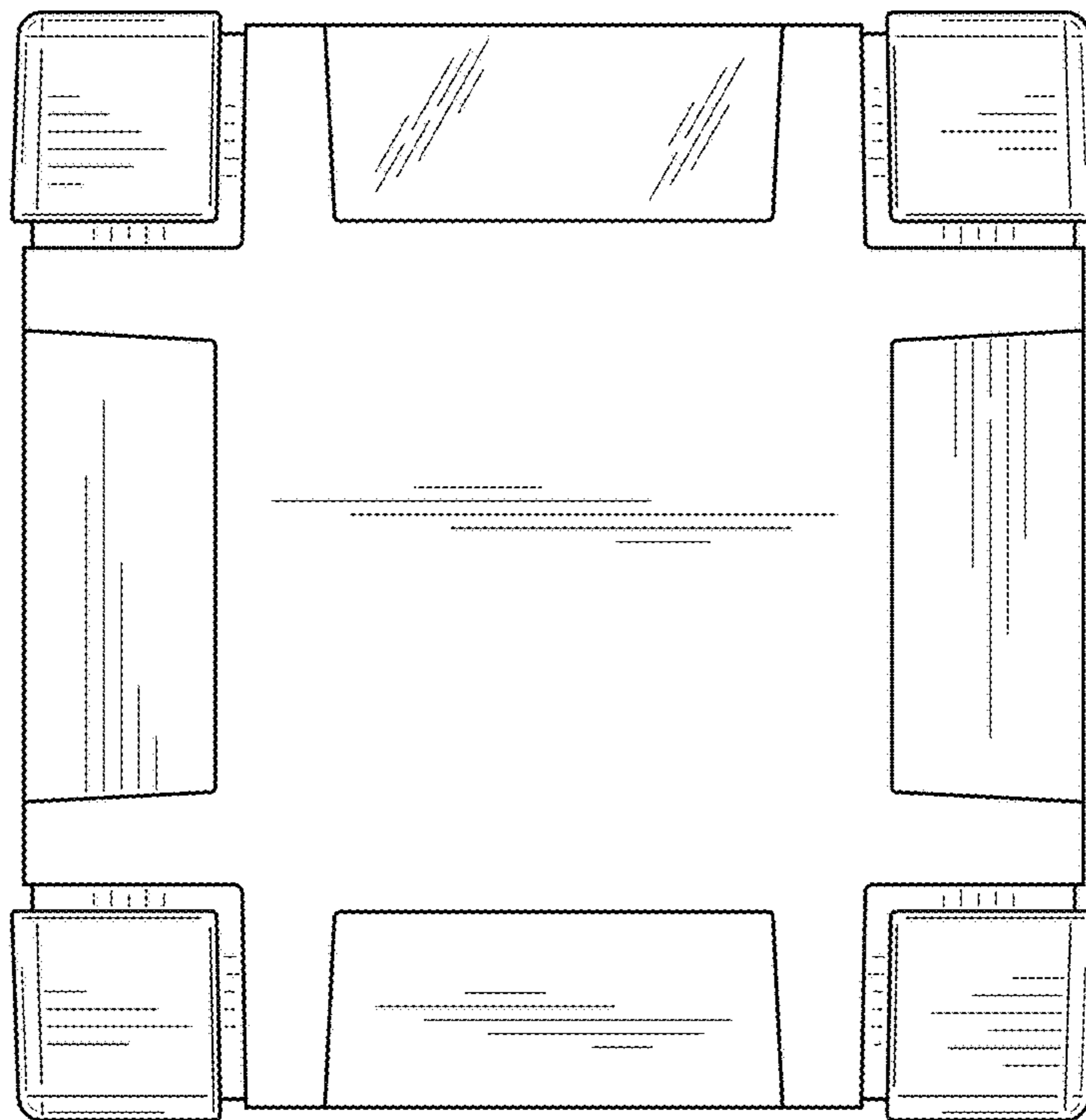


FIG. 3

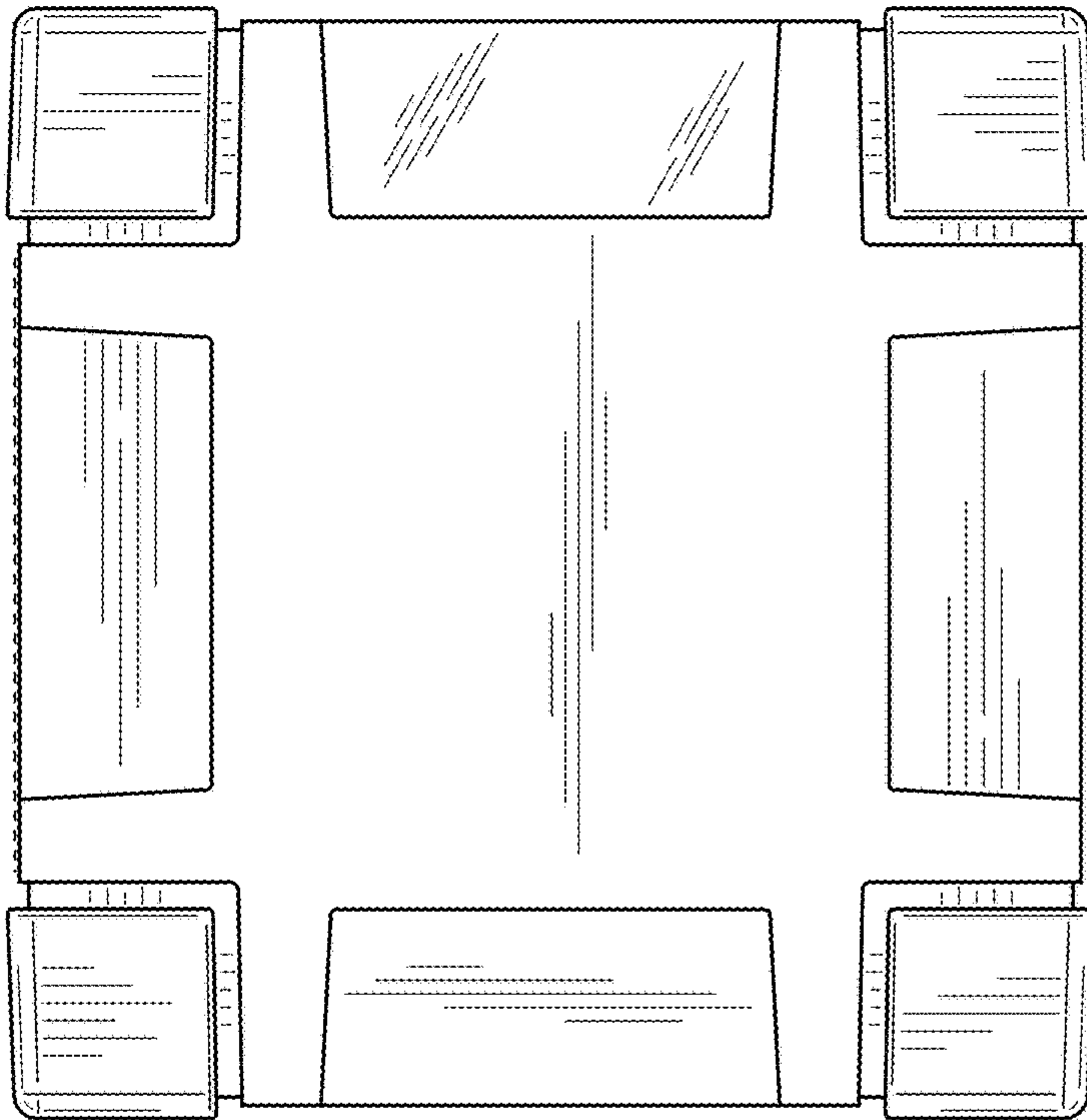


FIG. 4

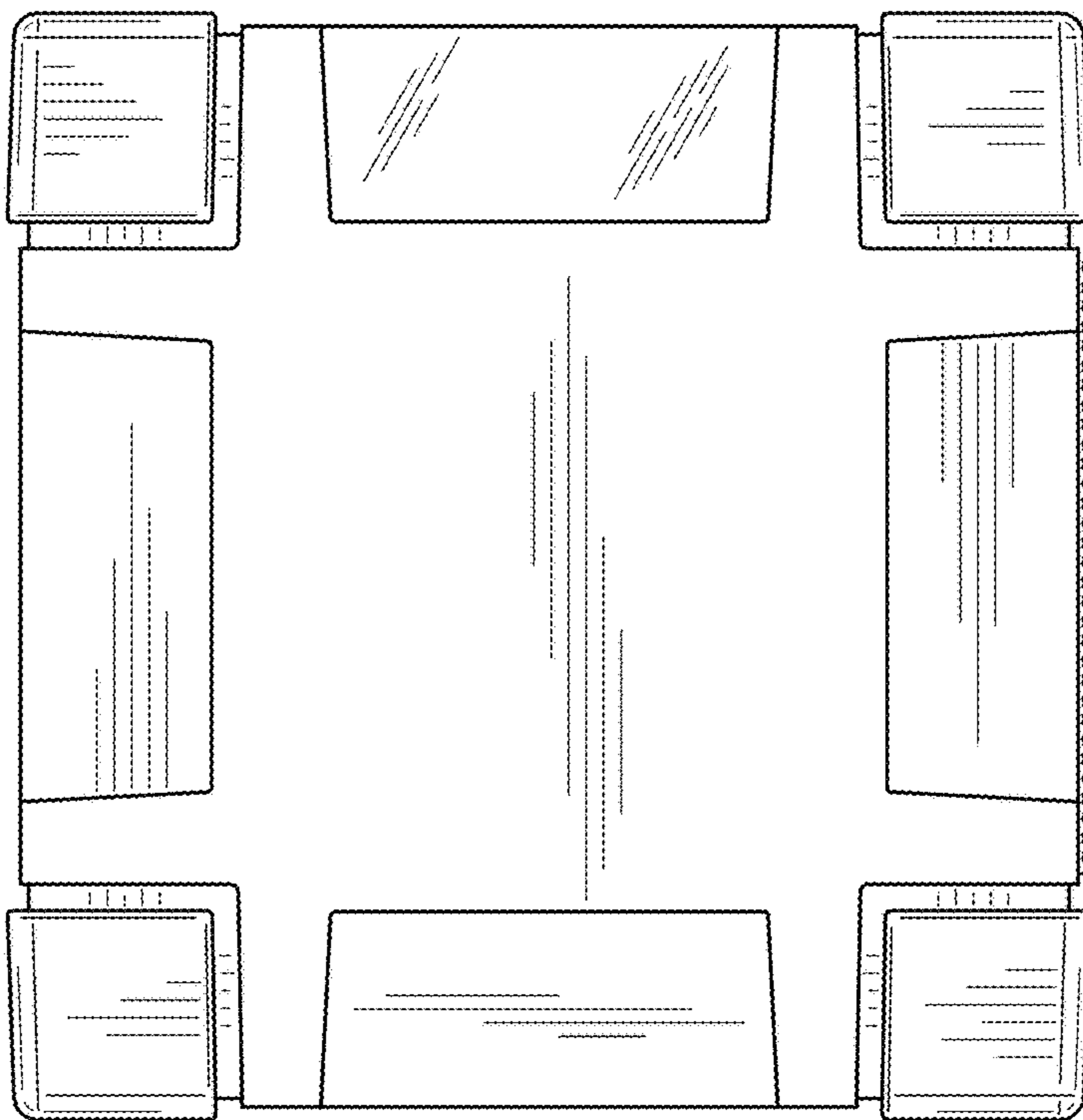


FIG. 5

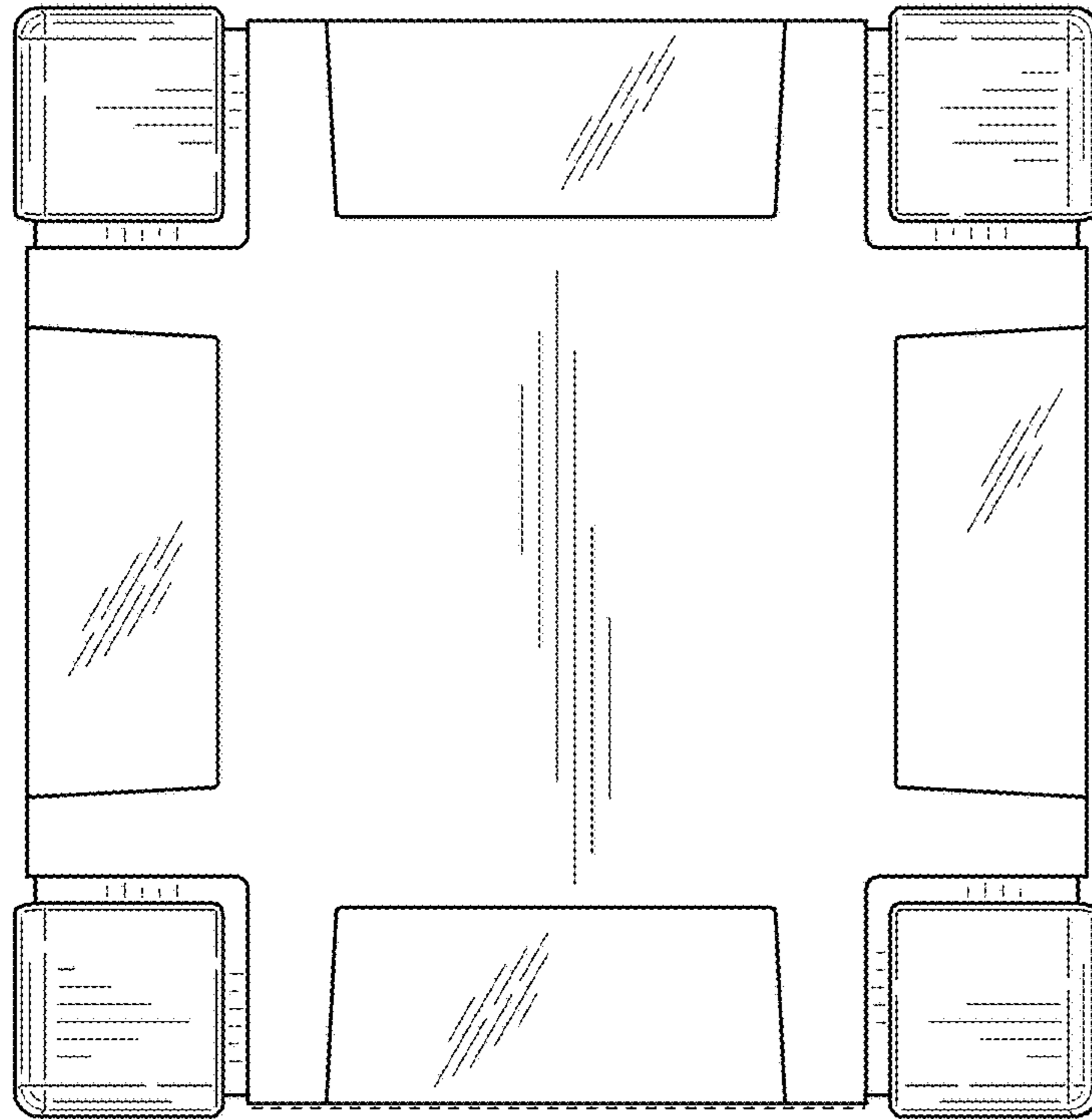


FIG. 6

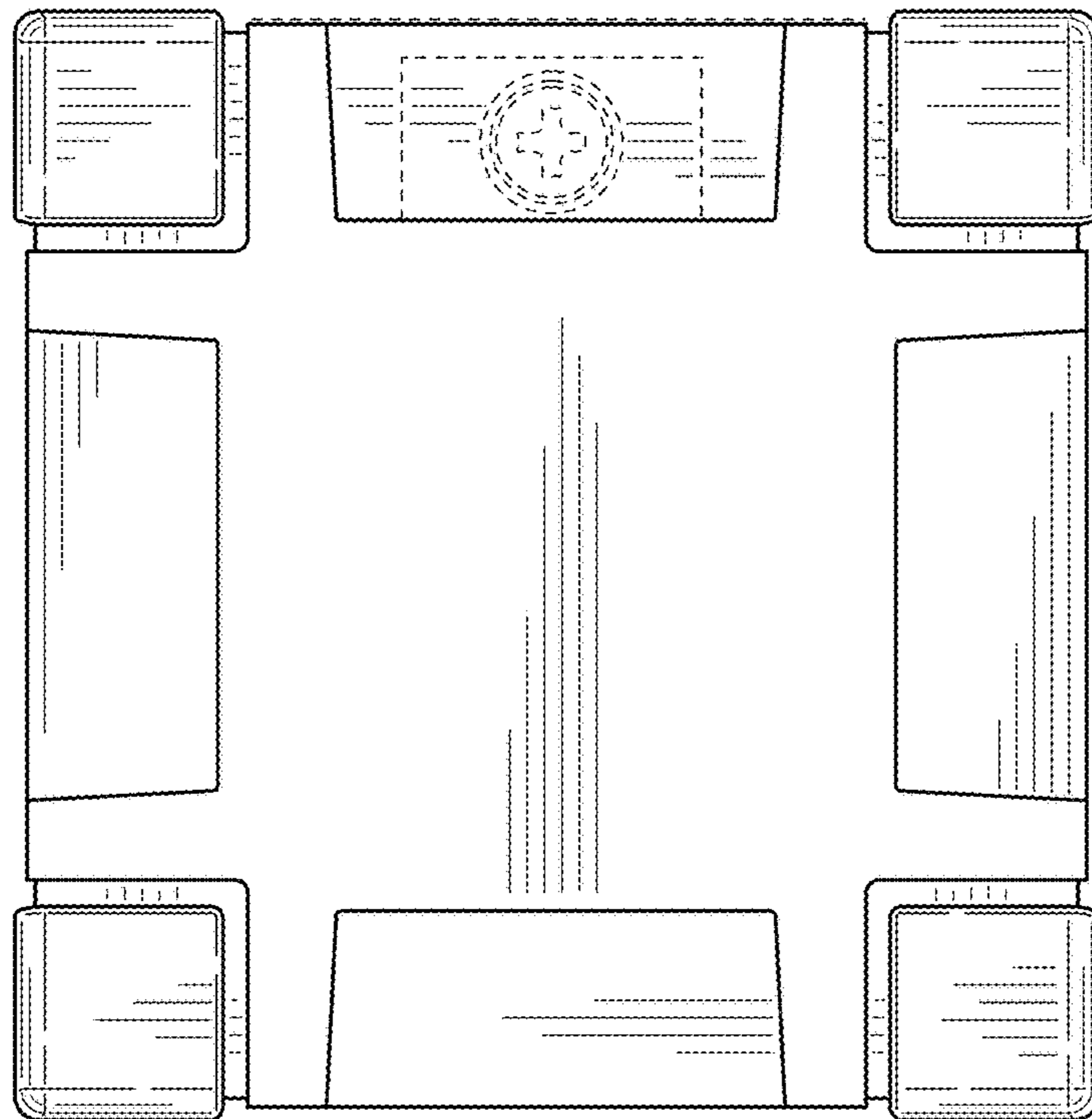


FIG. 7

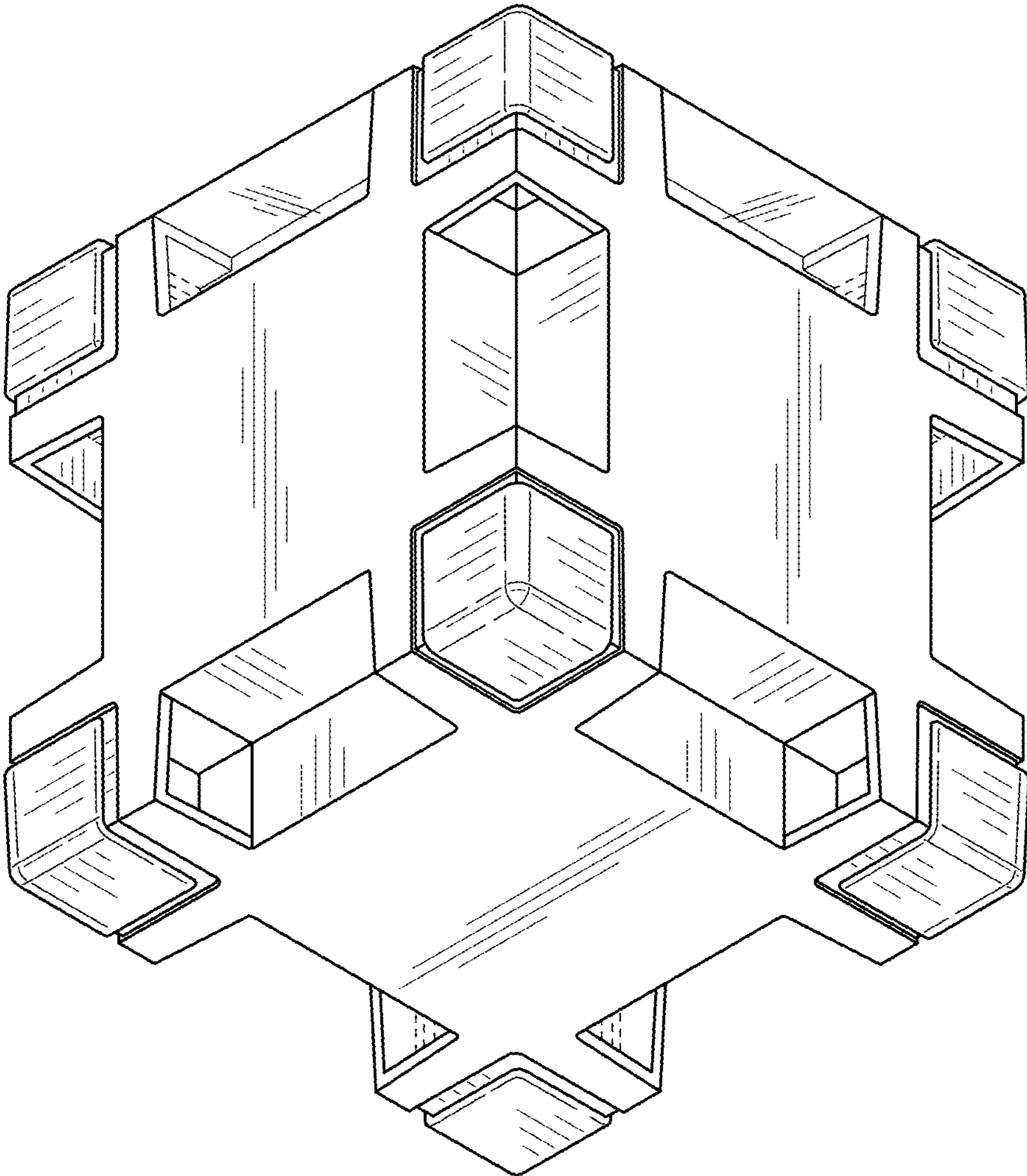


FIG. 8

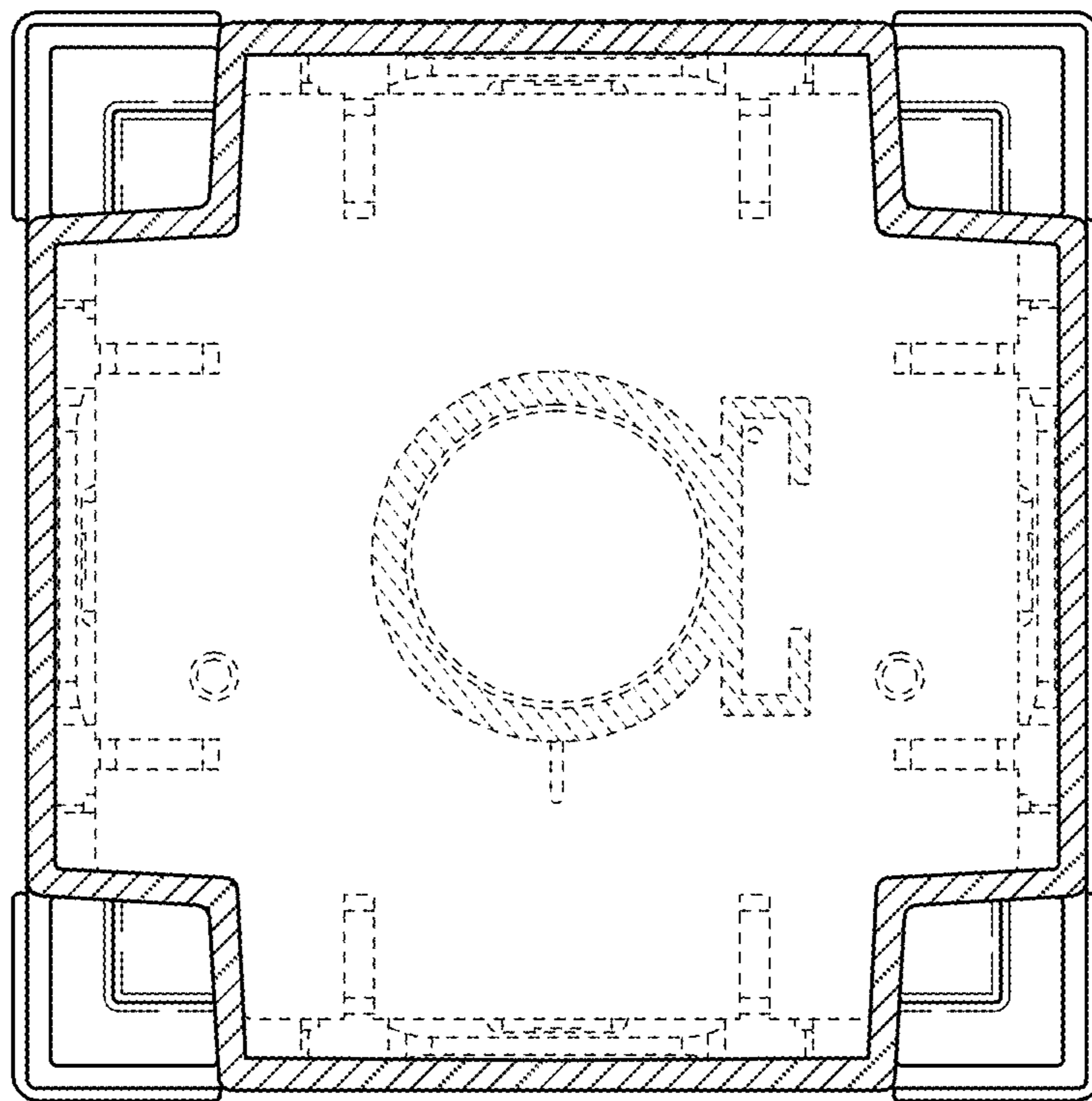


FIG. 9