



US00D803950S

(12) **United States Design Patent**  
**Liu et al.**

(10) **Patent No.:** **US D803,950 S**  
(45) **Date of Patent:** **\*\* Nov. 28, 2017**

(54) **CONSTRUCTION SET BLOCK**  
(71) Applicant: **UBTECH Robotics Corp.**, Shenzhen (CN)  
(72) Inventors: **Lefeng Liu**, Shenzhen (CN); **Yumiao Wu**, Shenzhen (CN); **Dingkai Xing**, Shenzhen (CN); **Xiongyuan Fang**, Shenzhen (CN); **Xinpu Chen**, Shenzhen (CN)  
(73) Assignee: **UBTECH ROBOTICS CORP.**, Shenzhen (CN)

D309,927 S \* 8/1990 Ryaa ..... D21/500  
D330,261 S \* 10/1992 Wertz ..... D25/113  
D335,155 S \* 4/1993 Pedersen ..... D21/500  
5,427,558 A \* 6/1995 Knudsen ..... A63H 33/042  
446/102  
5,871,384 A \* 2/1999 Kichijo ..... A63H 33/062  
446/112  
5,951,356 A \* 9/1999 Cyrus ..... A63H 18/00  
446/110  
D417,705 S \* 12/1999 Rudy ..... D21/501  
D617,396 S \* 6/2010 Nielsen ..... D21/500  
D716,879 S \* 11/2014 Norman ..... D21/486  
D731,449 S \* 6/2015 Norman ..... D13/184  
D740,368 S \* 10/2015 Norman ..... D13/158

\* cited by examiner

*Primary Examiner* — Cynthia M Chin

(\*\*) Term: **15 Years**  
(21) Appl. No.: **29/576,580**  
(22) Filed: **Sep. 6, 2016**

(30) **Foreign Application Priority Data**  
Mar. 24, 2016 (CN) ..... 2016 1 0177106

(51) **LOC (10) Cl.** ..... **21-01**  
(52) **U.S. Cl.**  
USPC ..... **D21/499**

(58) **Field of Classification Search**  
USPC ..... D21/478, 479, 484, 485–505; 446/69, 446/85, 102–128; 434/208, 259, 403; 273/153, 156, 160; 428/174  
CPC ..... A63H 33/00; A63H 33/04; A63H 33/06; A63H 33/08; A63H 33/10; A63H 33/12; A63H 33/14; A63F 9/08; A63F 9/12; G09B 1/36  
See application file for complete search history.

(56) **References Cited**  
U.S. PATENT DOCUMENTS  
D234,964 S \* 4/1975 Menke ..... D21/500  
D305,442 S \* 1/1990 Knudsen ..... D21/500

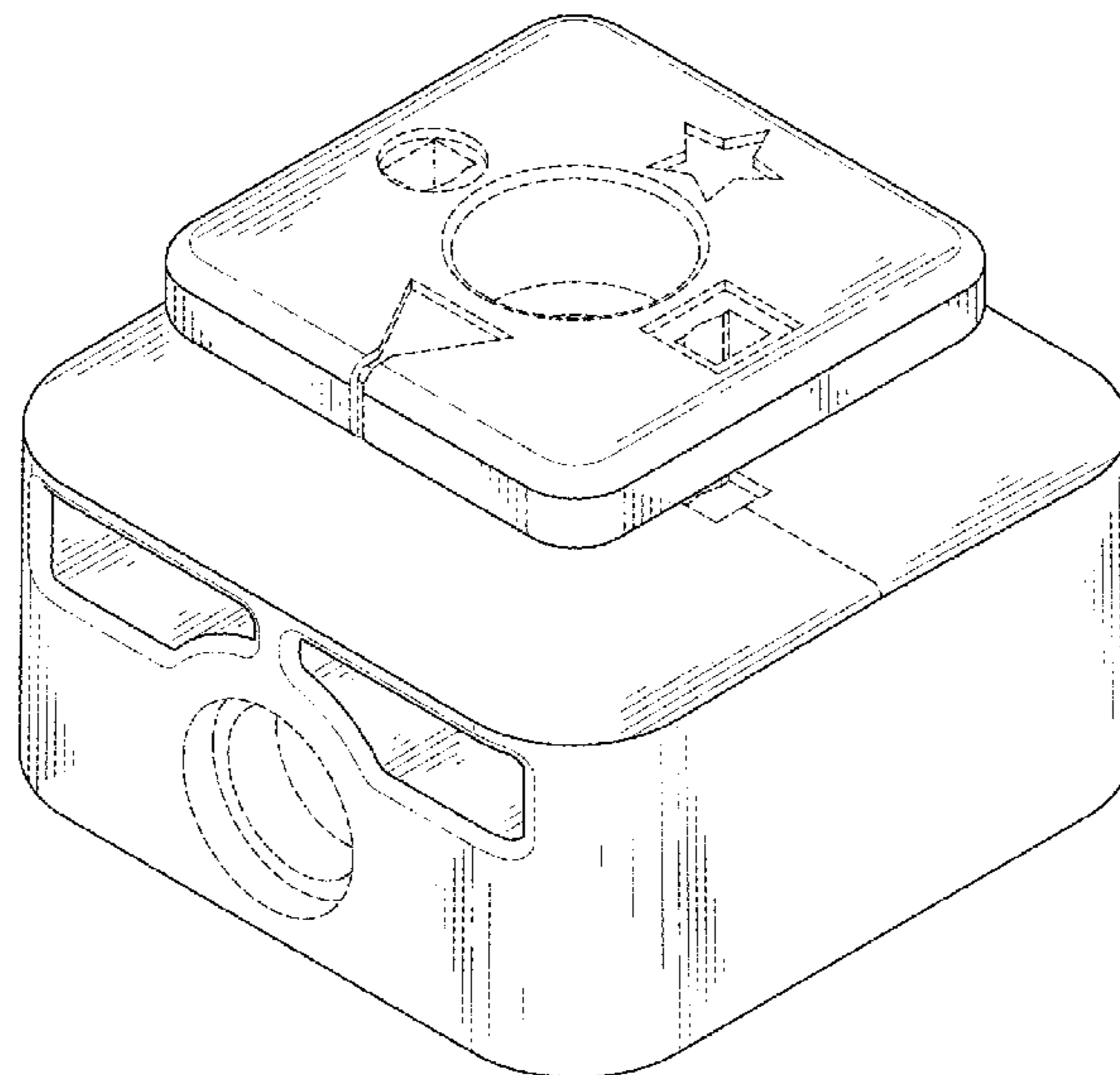
(57) **CLAIM**

The ornamental design for a construction set block, as shown and described.

**DESCRIPTION**

FIG. 1 is a first perspective view of a construction set block showing our new design;  
FIG. 2 is a second perspective view of the construction set block showing our new design;  
FIG. 3 is a front elevational view thereof;  
FIG. 4 is a rear elevational view thereof;  
FIG. 5 is a left side elevational view thereof;  
FIG. 6 is a right side elevational view thereof;  
FIG. 7 is a top plan view thereof; and,  
FIG. 8 is a bottom plan view thereof.  
The broken lines in the Figures are for the purpose of illustrating portions of the article that form no part of the claimed design.

**1 Claim, 8 Drawing Sheets**



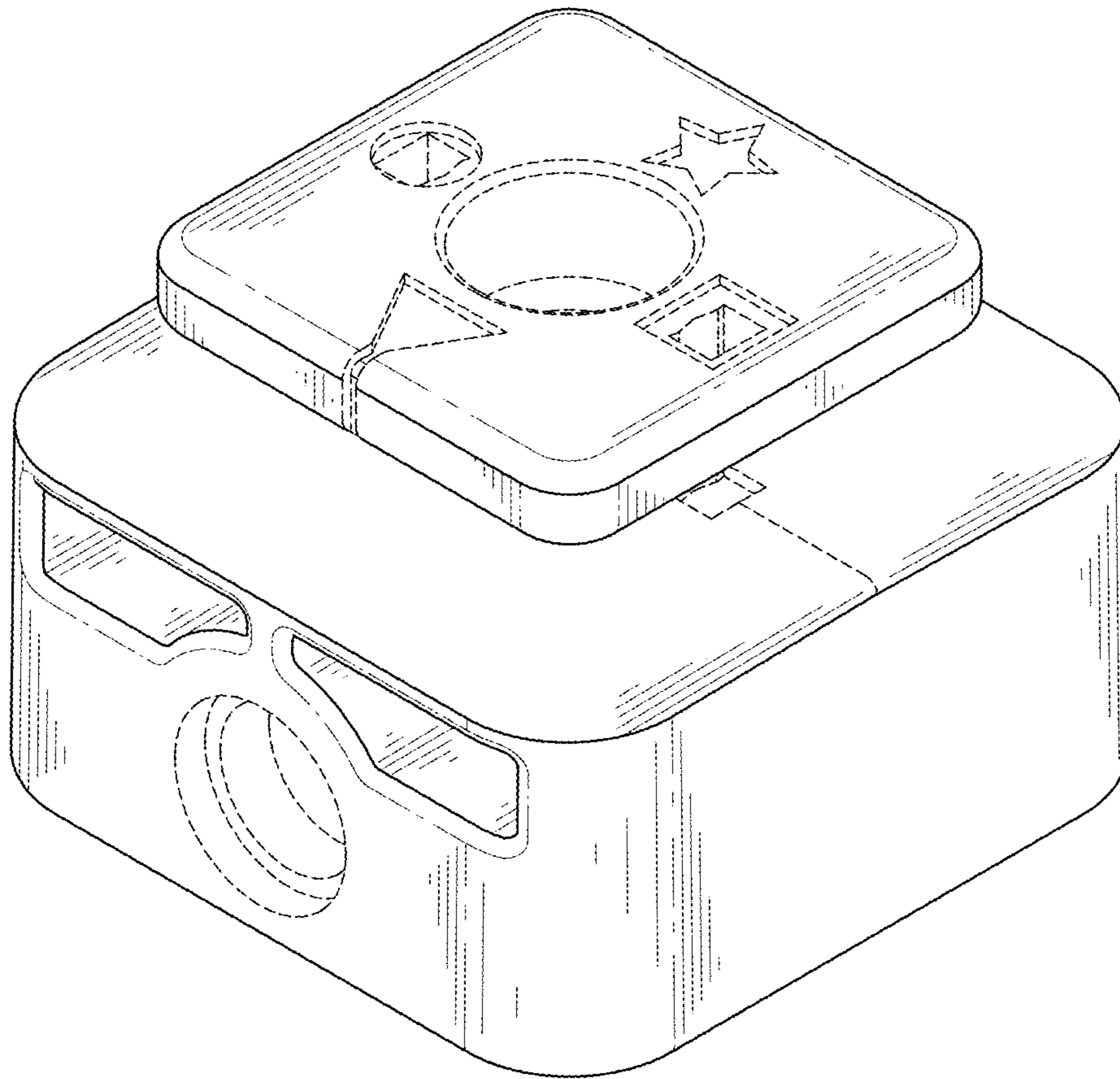


FIG. 1

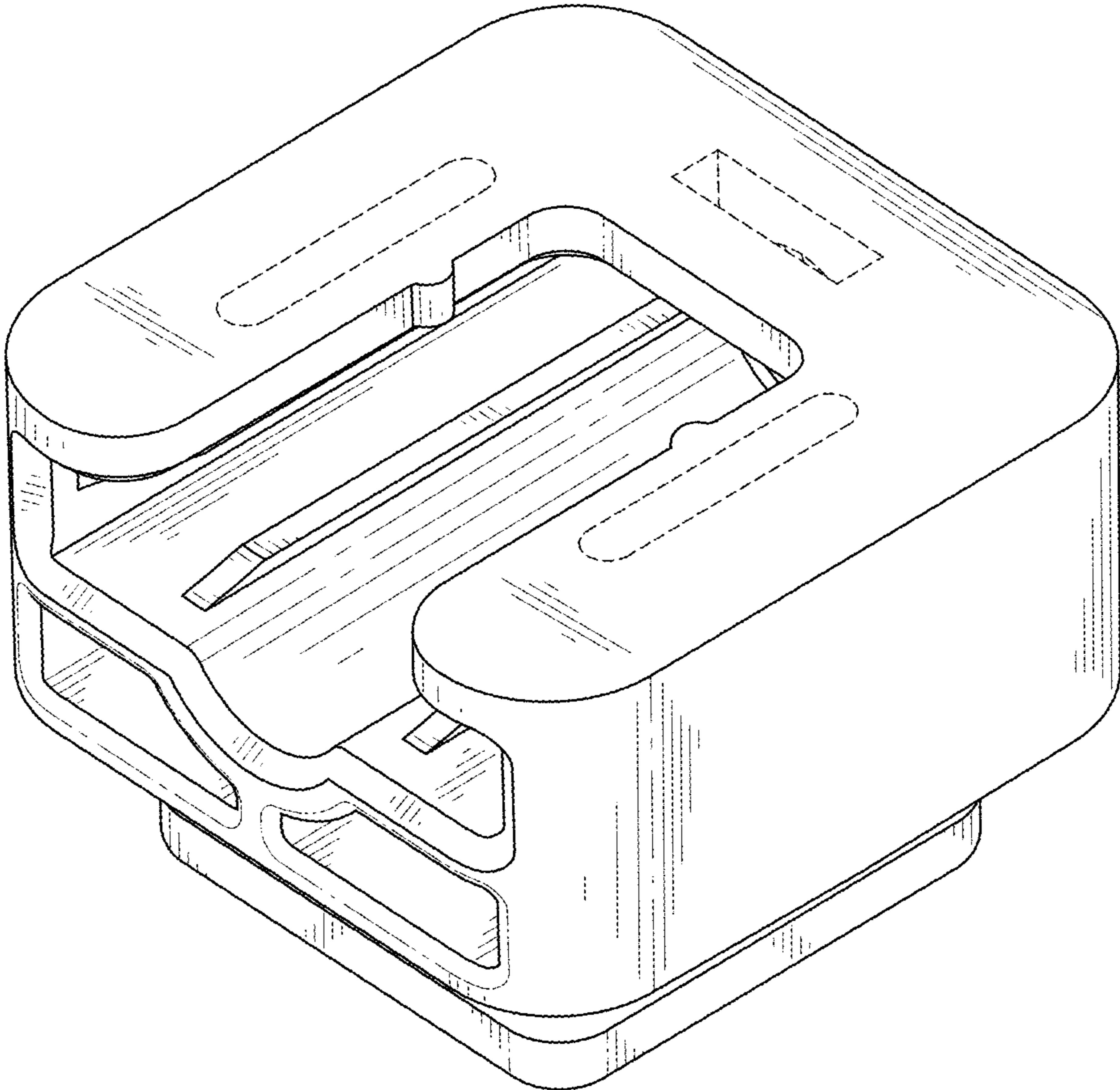


FIG. 2

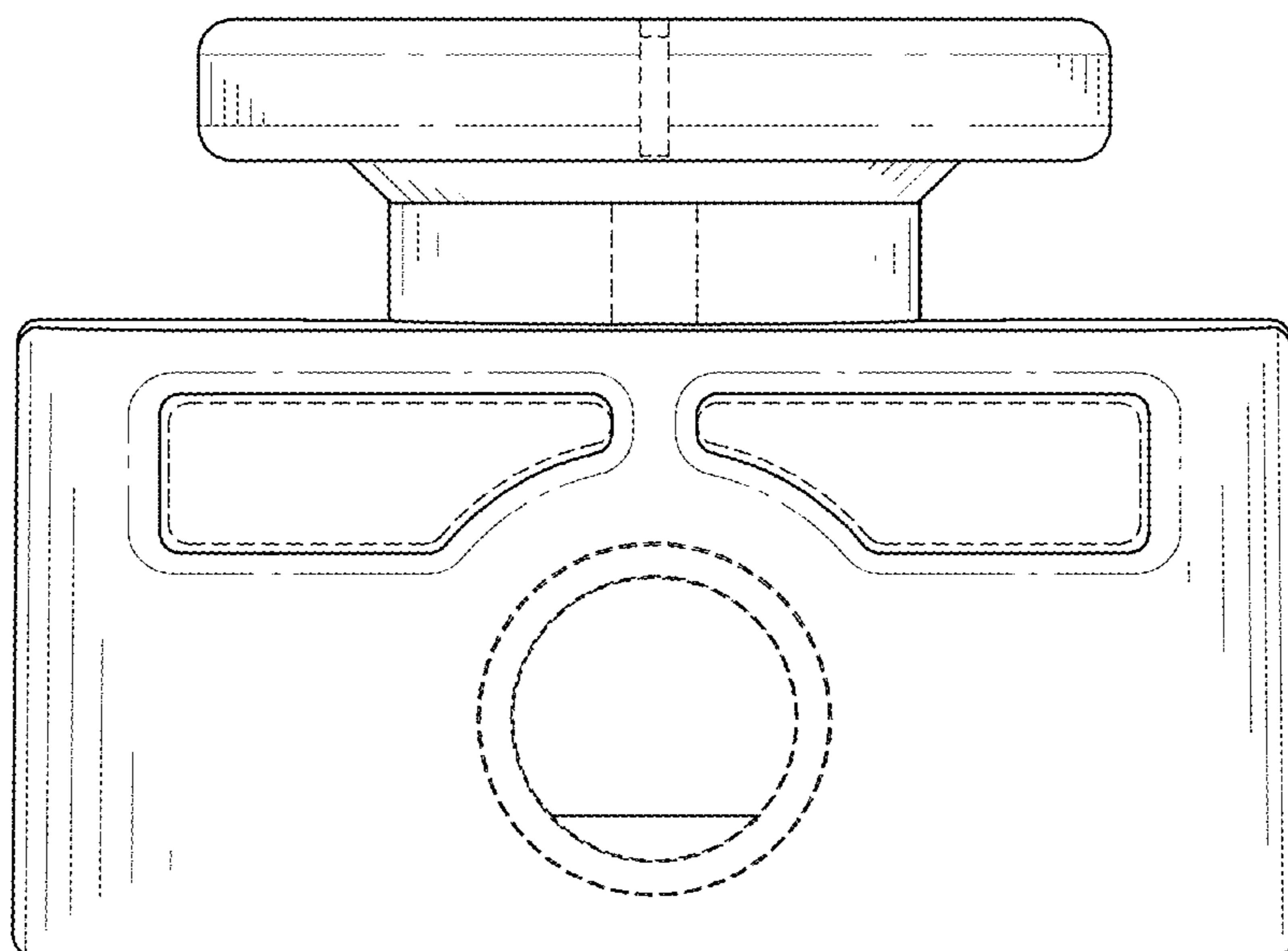


FIG. 3

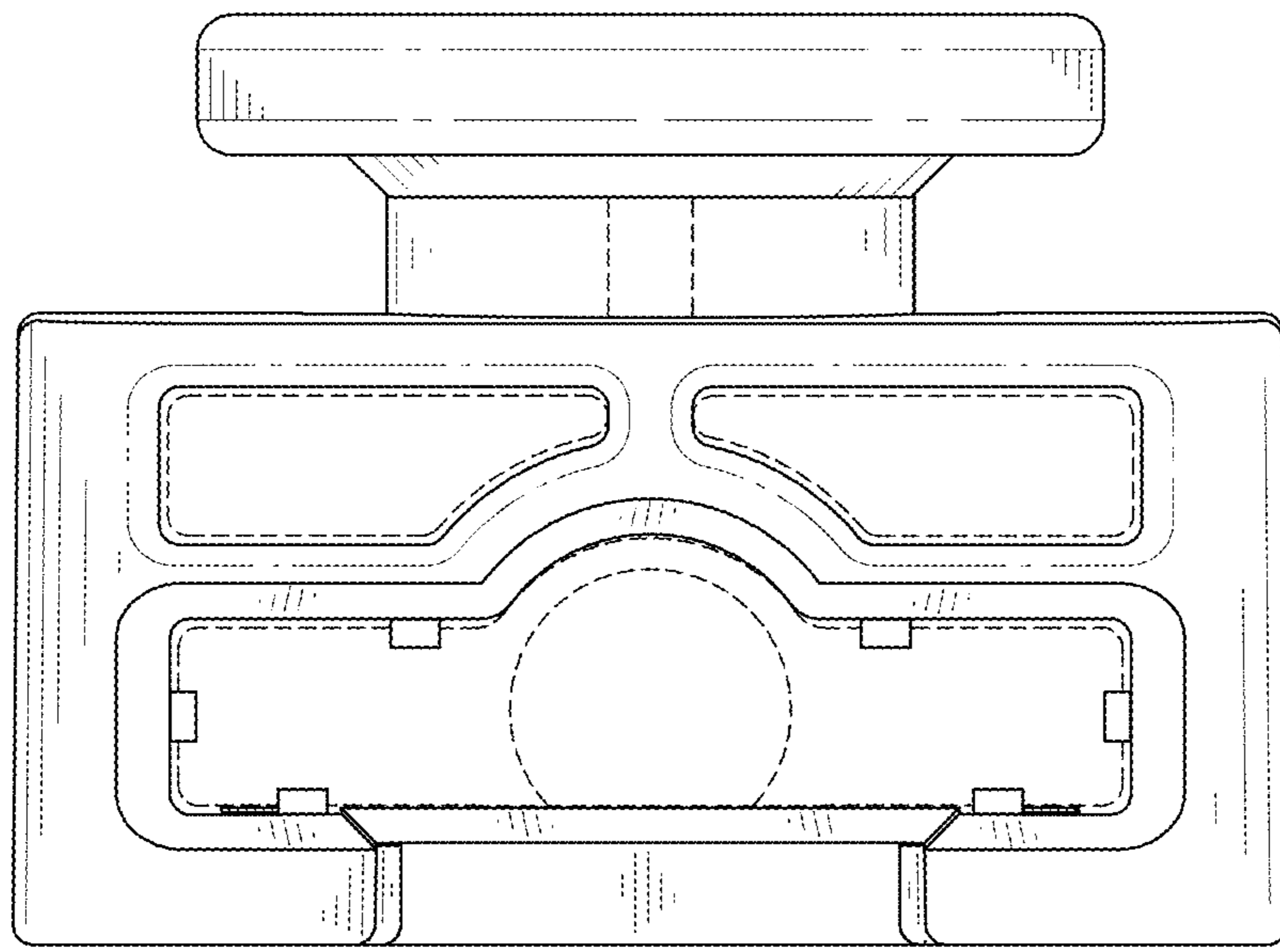


FIG. 4

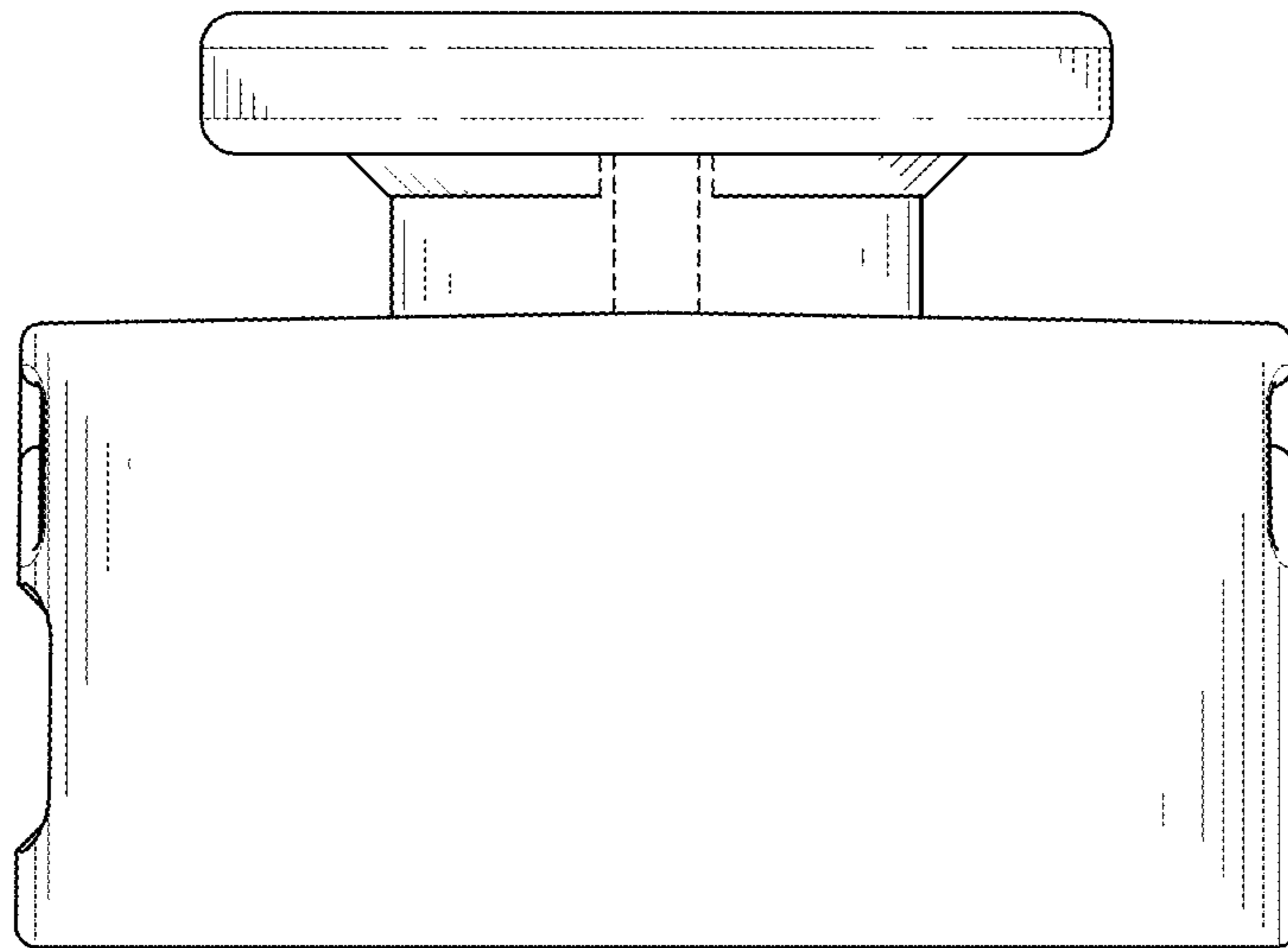


FIG. 5

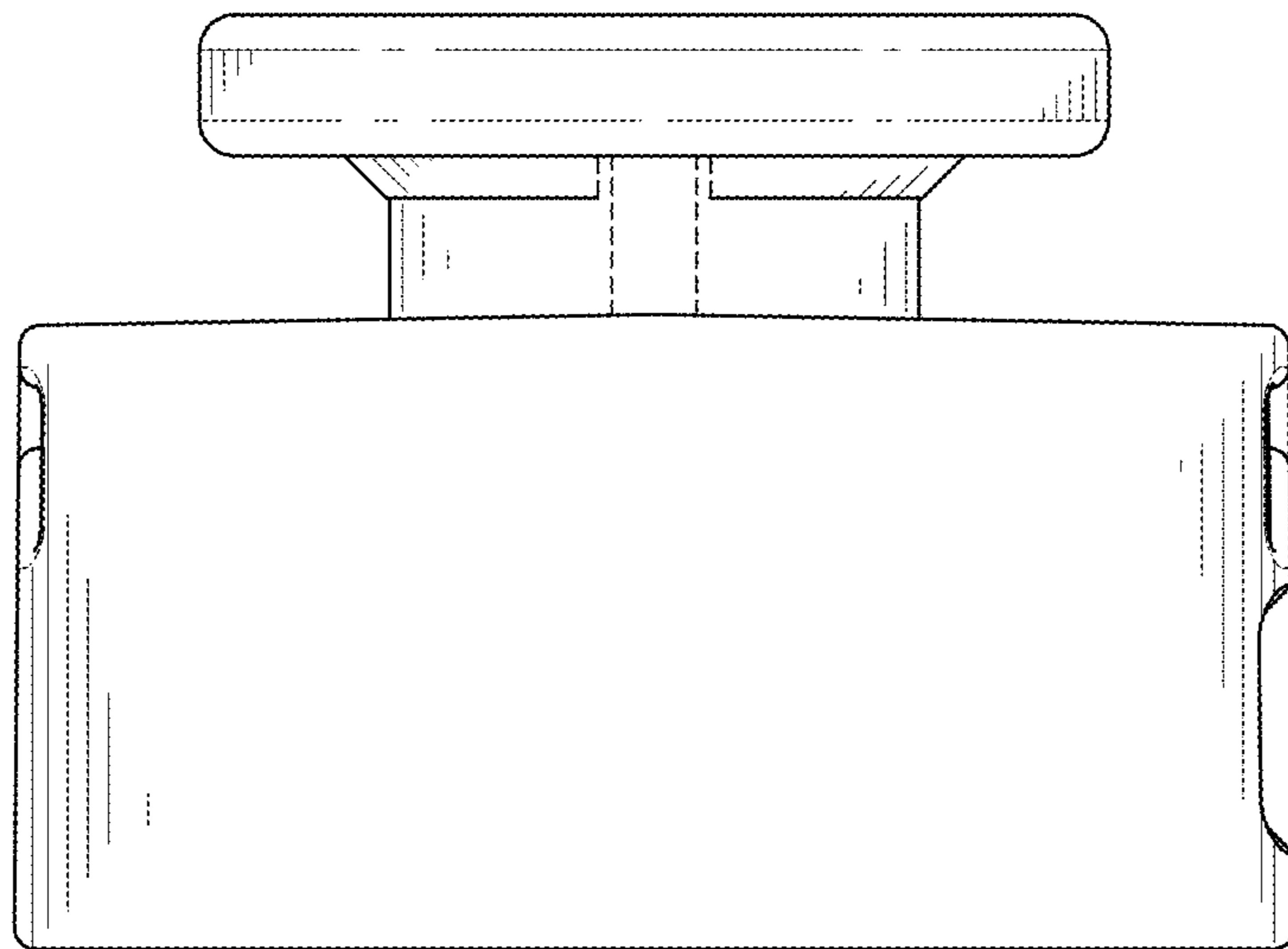


FIG. 6

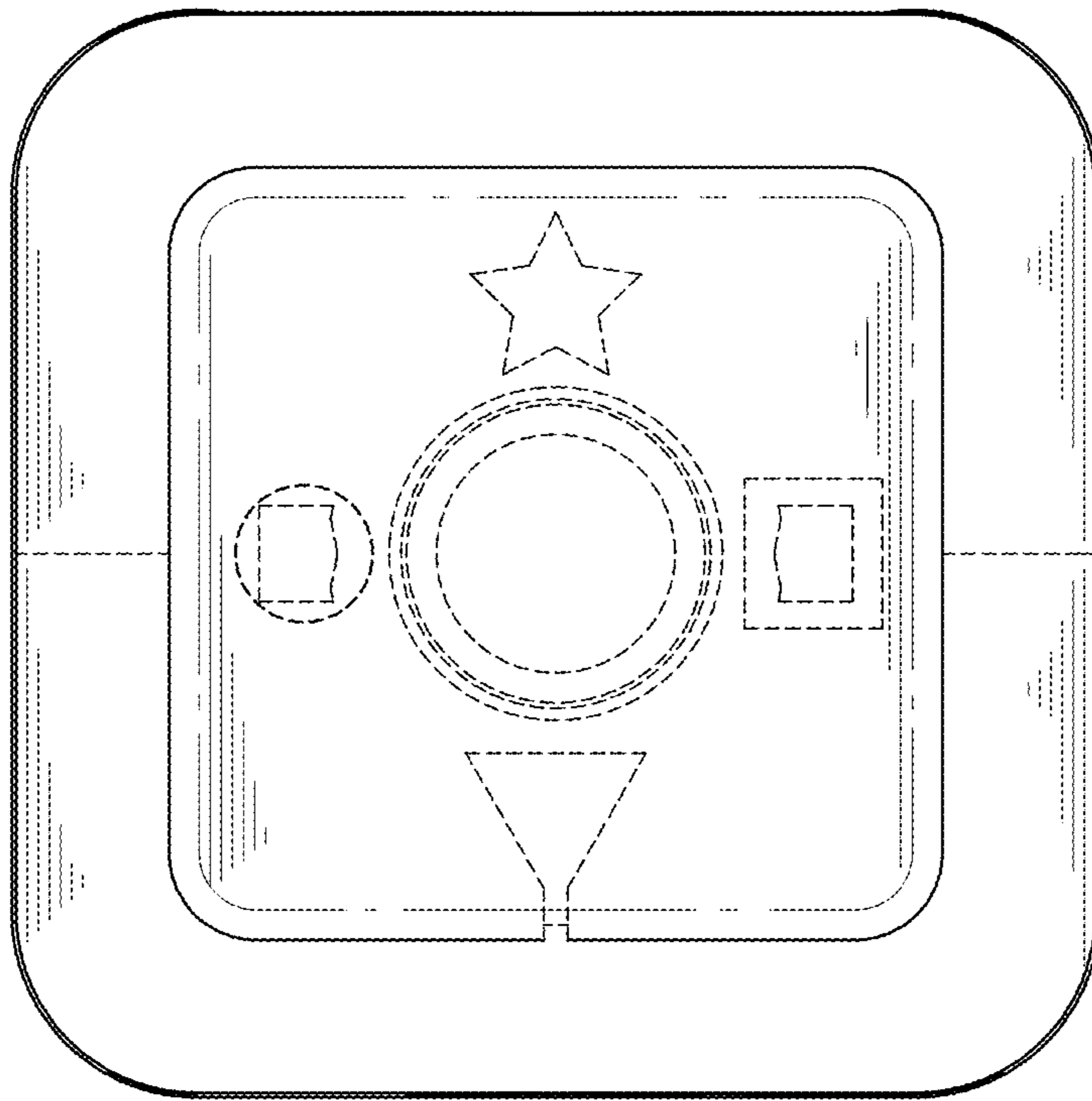


FIG. 7



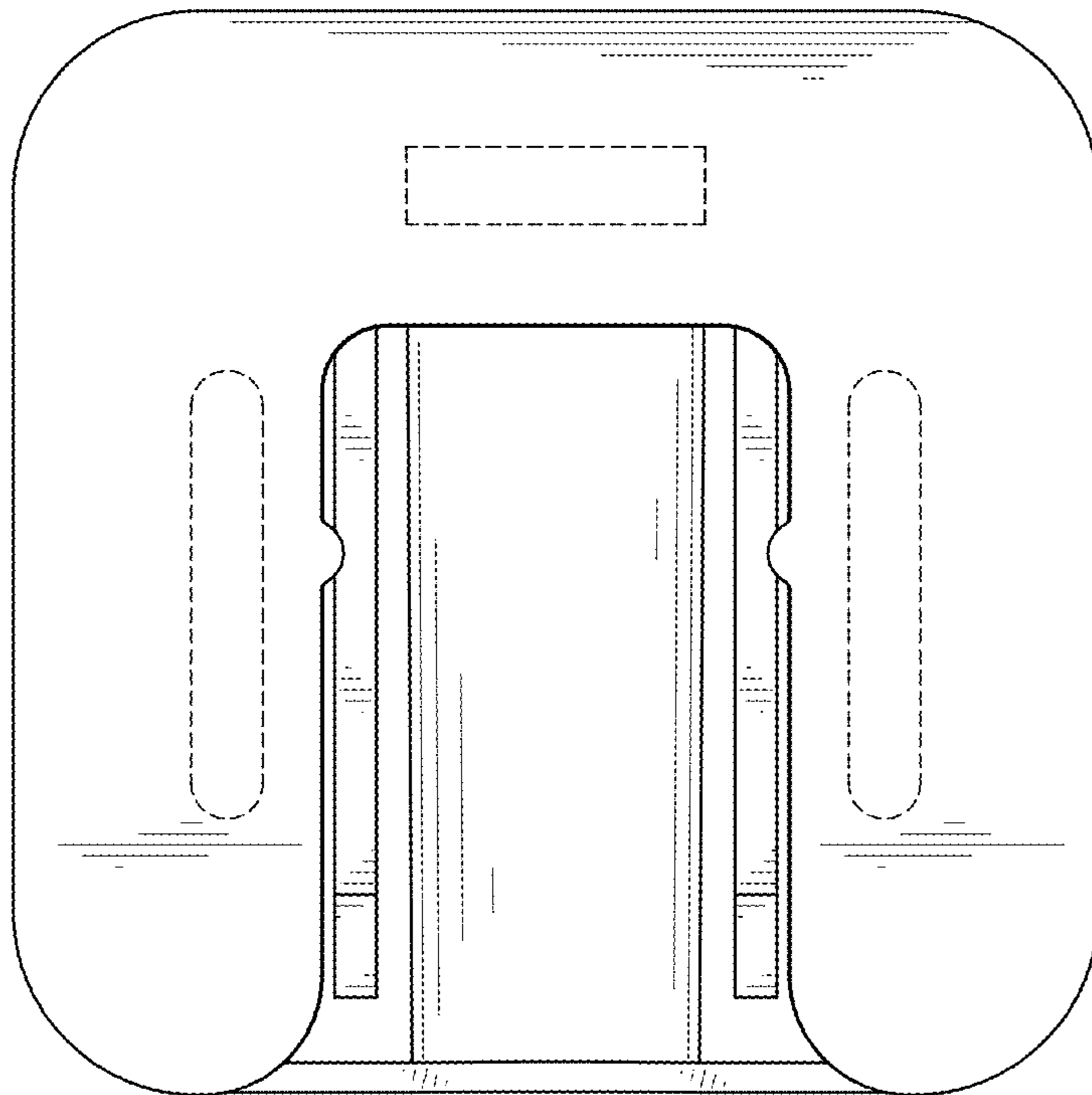


FIG. 8