



US00D803949S

(12) **United States Design Patent** (10) **Patent No.:** **US D803,949 S**
Ferrandino (45) **Date of Patent:** **** Nov. 28, 2017**

(54) **ILLUMINATED KITE**
(71) Applicant: **Robert Ferrandino**, Hicksville, NY (US)
(72) Inventor: **Robert Ferrandino**, Hicksville, NY (US)
(**) Term: **15 Years**
(21) Appl. No.: **29/546,090**
(22) Filed: **Nov. 18, 2015**
(51) **LOC (10) Cl.** **21-01**
(52) **U.S. Cl.**
USPC **D21/445**
(58) **Field of Classification Search**
USPC D12/16.1, 323, 325, 326, 327, 328, 329, D12/331-343, 345; D21/301, 436, 438, D21/439, 440, 441, 443, 444, 445-453; D30/160
CPC A63H 33/18; A63H 27/00; A63H 27/14; A63H 33/185; A63B 65/08
See application file for complete search history.

D279,492 S * 7/1985 Eddins D21/449
D281,338 S * 11/1985 Gorick D21/449
D294,154 S * 2/1988 McDaniel D21/449
D300,938 S * 5/1989 Delaney D12/331
D307,161 S * 4/1990 Trantham D21/449
D342,717 S * 12/1993 Mrdeza D12/319
D365,545 S * 12/1995 Wainfan D12/331
D377,200 S * 1/1997 Cale D21/446
D392,345 S * 3/1998 Burghardt D21/445
D410,503 S * 6/1999 Rosz D21/447
6,283,414 B1 9/2001 Quinones et al.
6,527,607 B1 3/2003 Huang
6,575,409 B1 6/2003 West
D481,765 S * 11/2003 Solomon, Jr. D21/449
D482,076 S * 11/2003 Tabor D21/438
D482,077 S * 11/2003 Solomon, Jr. D21/449
D482,078 S * 11/2003 Solomon, Jr. D21/449
D482,079 S * 11/2003 Solomon, Jr. D21/449
D482,410 S * 11/2003 Solomon, Jr. D21/449
D502,745 S * 3/2005 Tabor D21/445
D506,513 S * 6/2005 Tabor D21/445

* cited by examiner

Primary Examiner — Robert M Spear
Assistant Examiner — Marissa J Cash
(74) *Attorney, Agent, or Firm* — Stevenson IP, LLC

(56) **References Cited**

U.S. PATENT DOCUMENTS

D224,248 S * 7/1972 Bennett D21/445
D240,437 S * 7/1976 Rizzo D21/447
D240,438 S * 7/1976 Rizzo D21/447
D240,439 S * 7/1976 Rizzo D21/447
D240,440 S * 7/1976 Rizzo D21/447
D240,441 S * 7/1976 Rizzo D21/447
D252,760 S * 8/1979 Meyers D21/449
D253,833 S * 1/1980 Miller D21/445
D257,269 S * 10/1980 Miller D21/447
D257,634 S * 12/1980 Miller D21/449
D257,731 S * 12/1980 Zack D21/449
D265,489 S * 7/1982 Karn D21/449
D270,259 S * 8/1983 Hermann D21/449
D274,827 S * 7/1984 Belloff 244/153 R

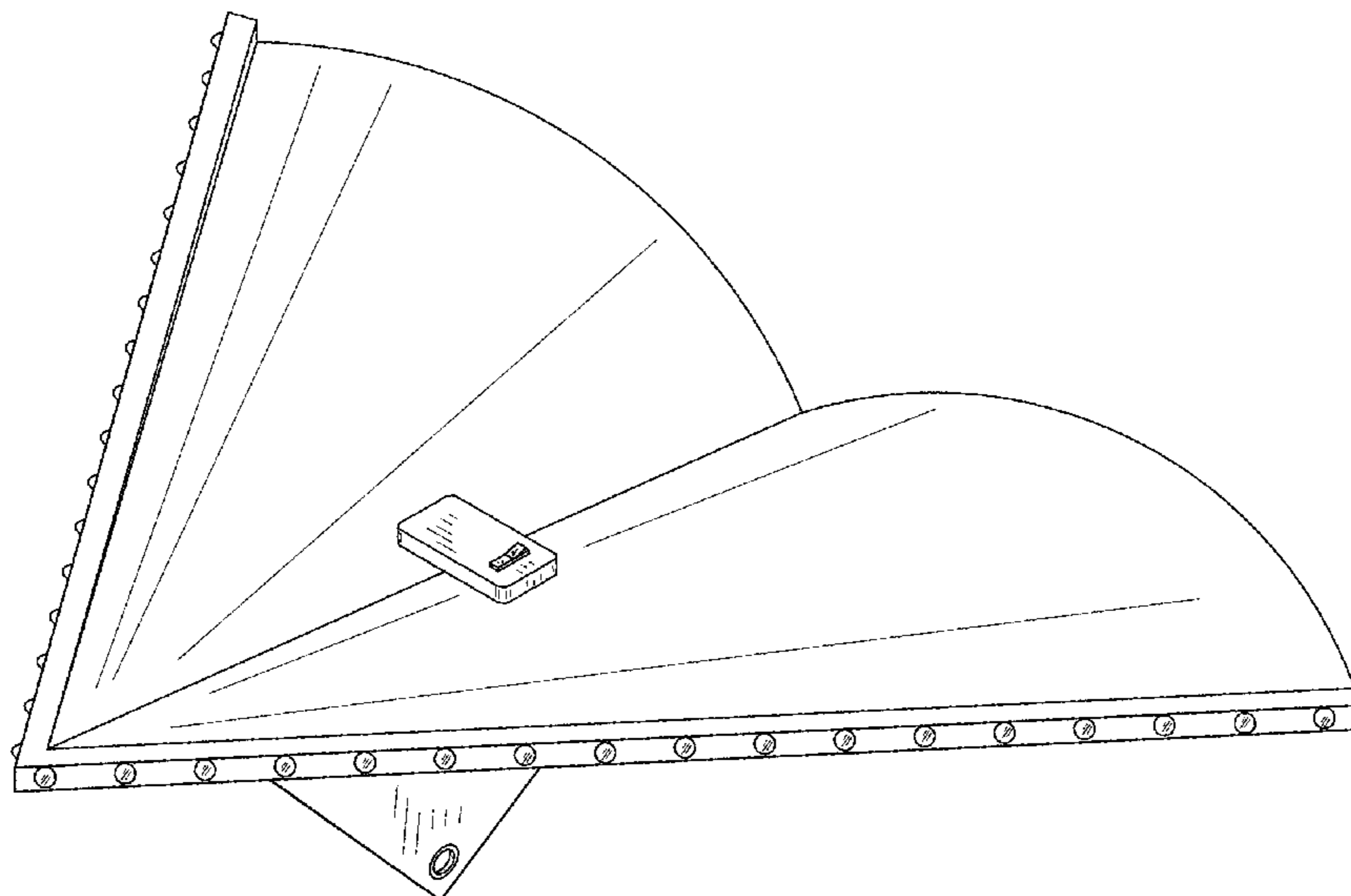
(57) **CLAIM**

The ornamental design for an illuminated kite, as shown and described.

DESCRIPTION

FIG. 1 is a bottom plan view of an illuminated kite showing my new design;
FIG. 2 is a top plan view thereof;
FIG. 3 is a right side elevation view thereof, the opposite side being a mirror image of the shown;
FIG. 4 is a front elevation view thereof;
FIG. 5 is a rear elevation view; and,
FIG. 6 is an isometric view thereof.

1 Claim, 5 Drawing Sheets



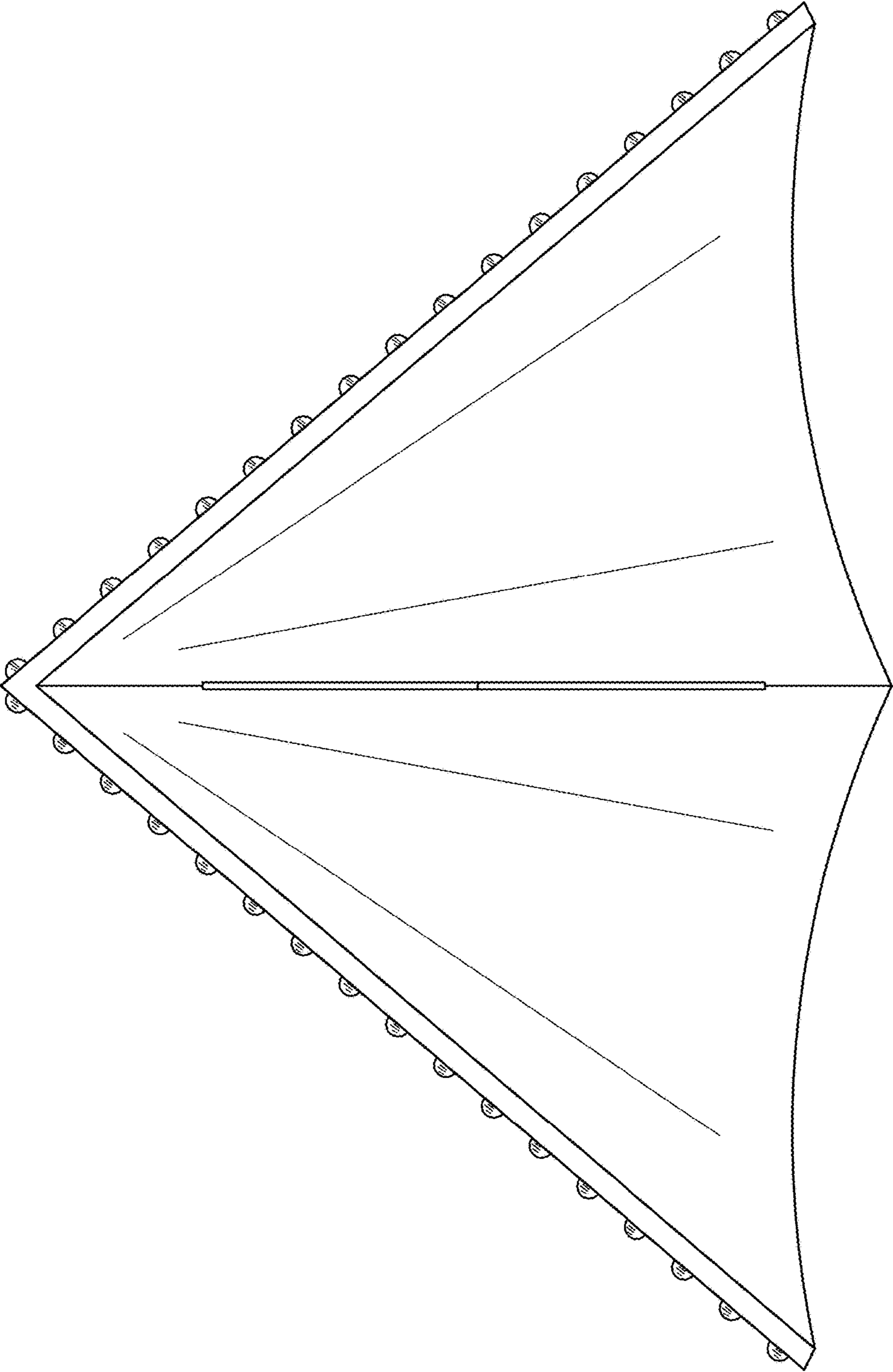


FIG. 1

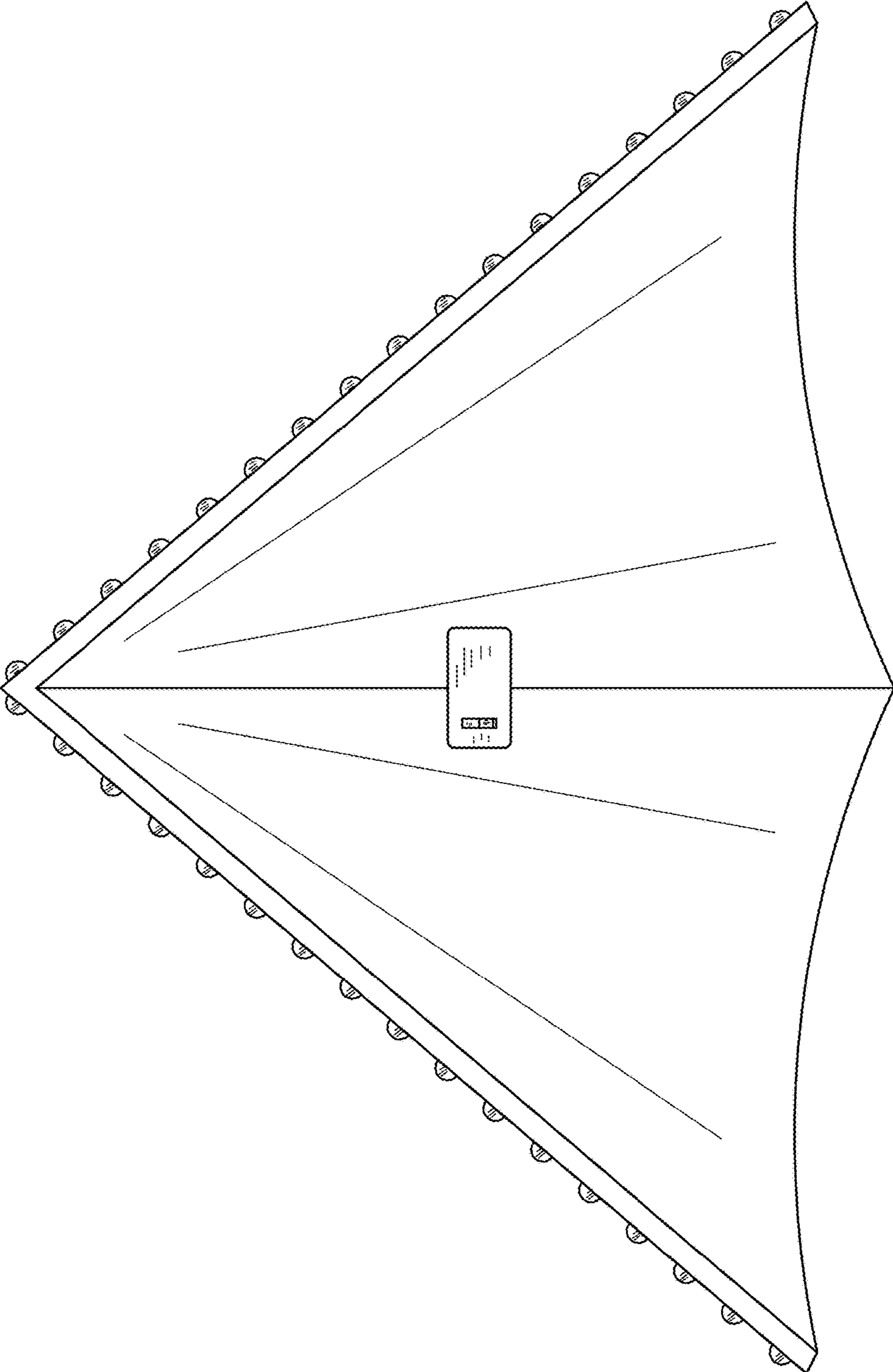


FIG. 2

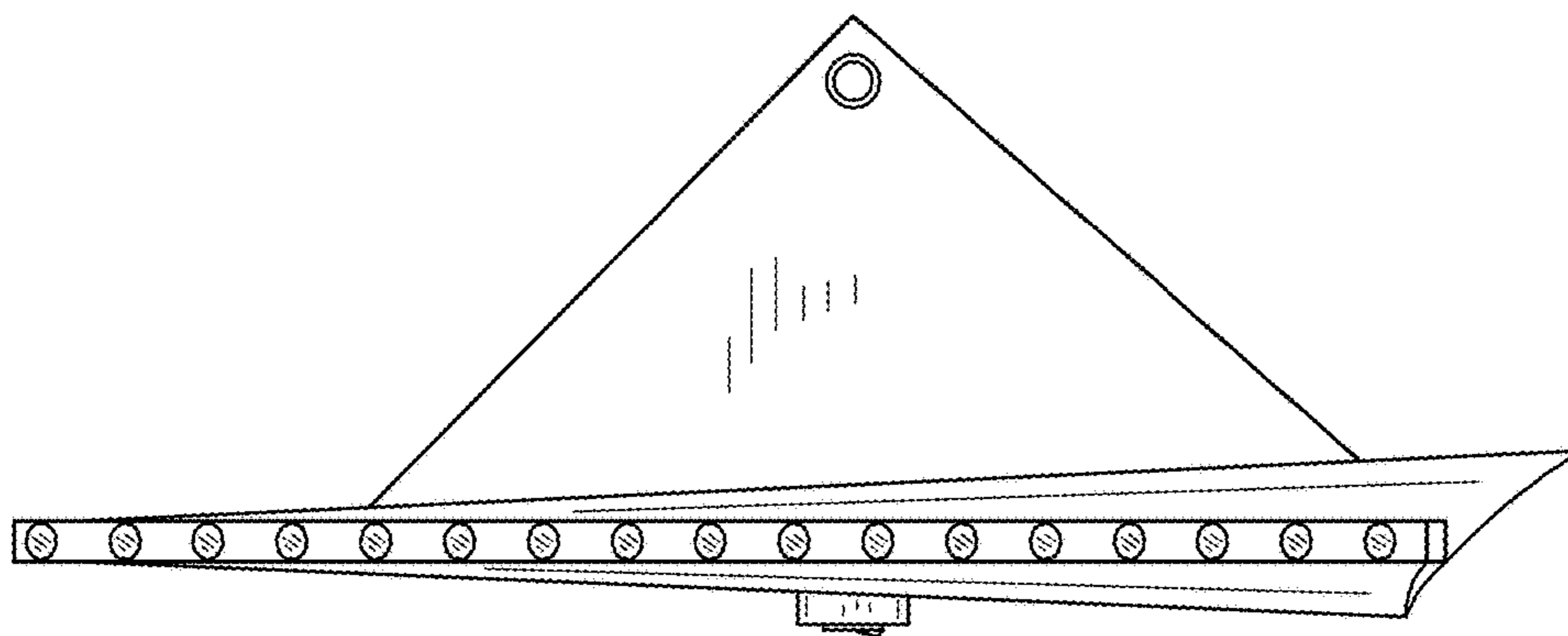


FIG. 3

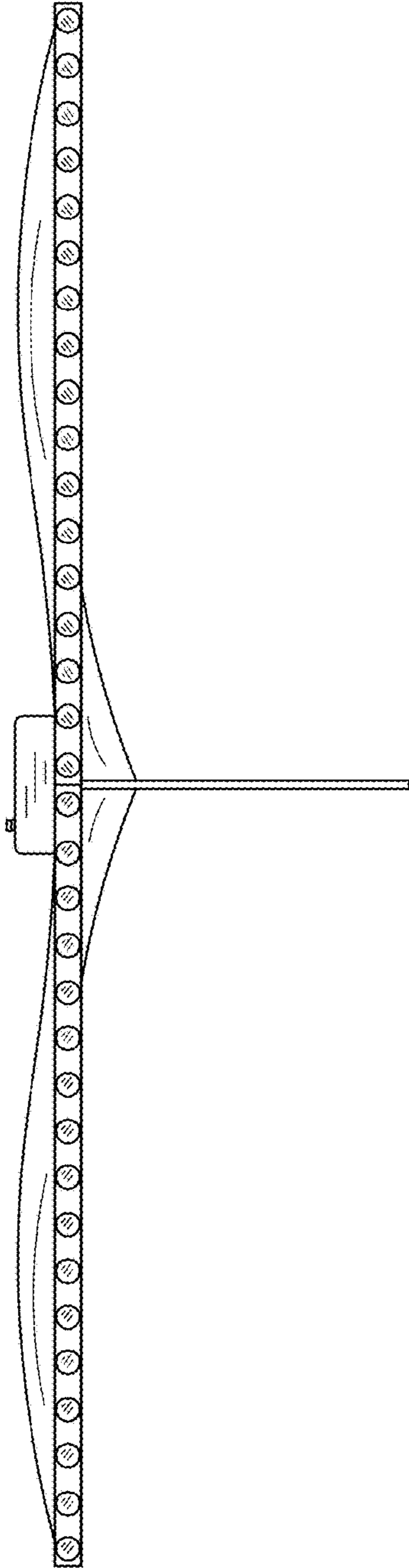


FIG. 4

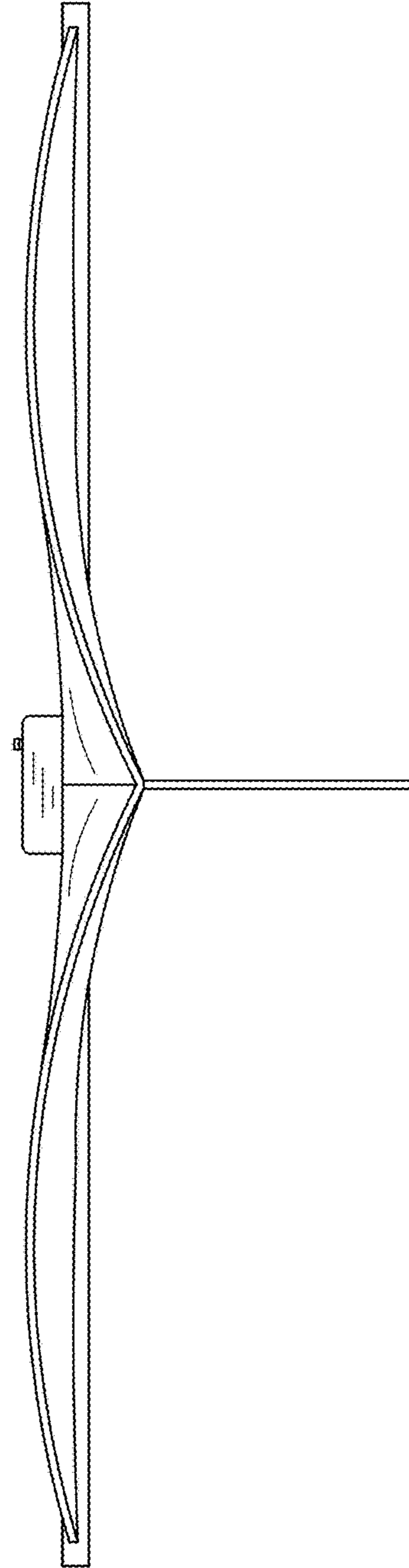


FIG. 5

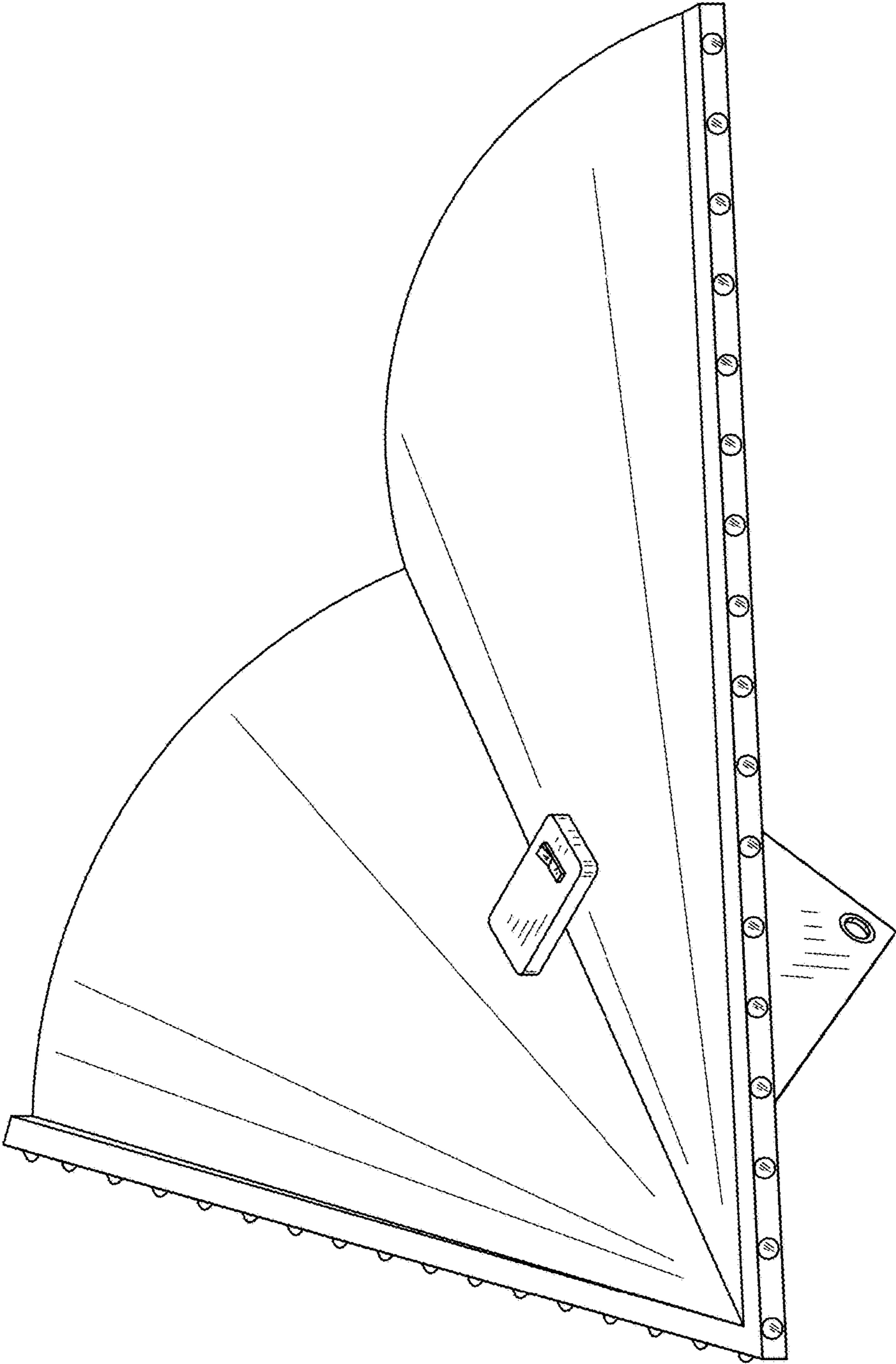


FIG. 6