



US00D803948S

(12) **United States Design Patent**
Chis et al.

(10) **Patent No.:** **US D803,948 S**

(45) **Date of Patent:** **** Nov. 28, 2017**

(54) **ELECTRIC SCOOTER**

(71) Applicant: **Scooterson LTD**, London (GB)

(72) Inventors: **Mihnea Iustinian Chis**, Arad (RO);
Ionut Nicolae Predescu, Timisoara (RO)

(73) Assignee: **Scooterson Inc.**, Newark, NJ (US)

(**) Term: **15 Years**

(21) Appl. No.: **29/560,747**

(22) Filed: **Apr. 9, 2016**

(30) **Foreign Application Priority Data**

Oct. 9, 2015 (EM) 002817189

(51) **LOC (10) Cl.** **21-01**

(52) **U.S. Cl.**
USPC **D21/423**

(58) **Field of Classification Search**
USPC D21/419, 421, 423, 426-428, 435, 760,
D21/765, 771; D12/1, 8, 108, 112, 113
CPC . B62K 3/002; B62K 9/00; B62K 9/02; B62K
13/00; B62K 2202/00
See application file for complete search history.

(56) **References Cited**

U.S. PATENT DOCUMENTS

D457,197 S * 5/2002 Becker D21/423
D458,563 S * 6/2002 Jones D12/110
D479,285 S * 9/2003 Jung D21/423
D480,662 S * 10/2003 Ou D12/110
D505,457 S * 5/2005 Wong D21/423

D513,629 S * 1/2006 Sramek D21/423
D513,772 S * 1/2006 Otis D21/423
D563,484 S * 3/2008 Laatz D21/423
8,794,654 B1 * 8/2014 Chen B62K 9/00
280/278
D721,990 S * 2/2015 Lugo D12/111
D744,047 S * 11/2015 Daddoosh D21/423
D755,899 S * 5/2016 Castrucci D21/423
D774,961 S * 12/2016 Allen D12/110

* cited by examiner

Primary Examiner — Cynthia M Chin

(74) *Attorney, Agent, or Firm* — Mitchell Law PLLC;
Matthew W. Mitchell

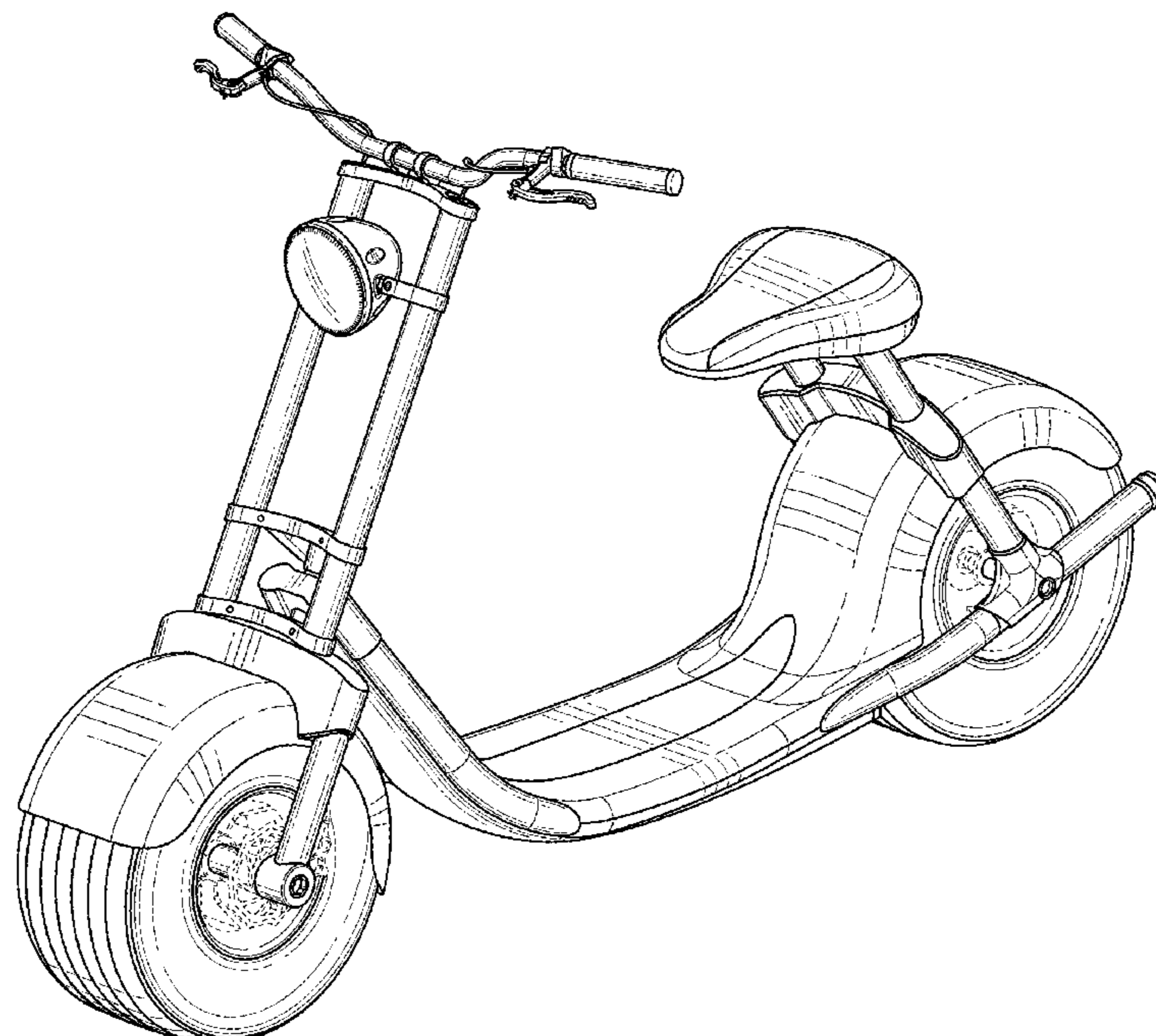
(57) **CLAIM**

The ornamental design for an electric scooter, as shown and described.

DESCRIPTION

FIG. 1 is a front perspective view of the electric scooter of the present invention;
FIG. 2 is a front view of the invention of FIG. 1;
FIG. 3 is a rear view of the invention of FIG. 1;
FIG. 4 is a side view of the invention of FIG. 1, as seen from the left side of FIG. 2;
FIG. 5 is a side view of the invention of FIG. 1, as seen from the right side of FIG. 2;
FIG. 6 is a top plan view in elevation of the invention of FIG. 1; and,
FIG. 7 is a bottom plan view of the invention of FIG. 1.
The broken lines are for the purpose of illustrating portions of the article that form no part of the claim.

1 Claim, 7 Drawing Sheets



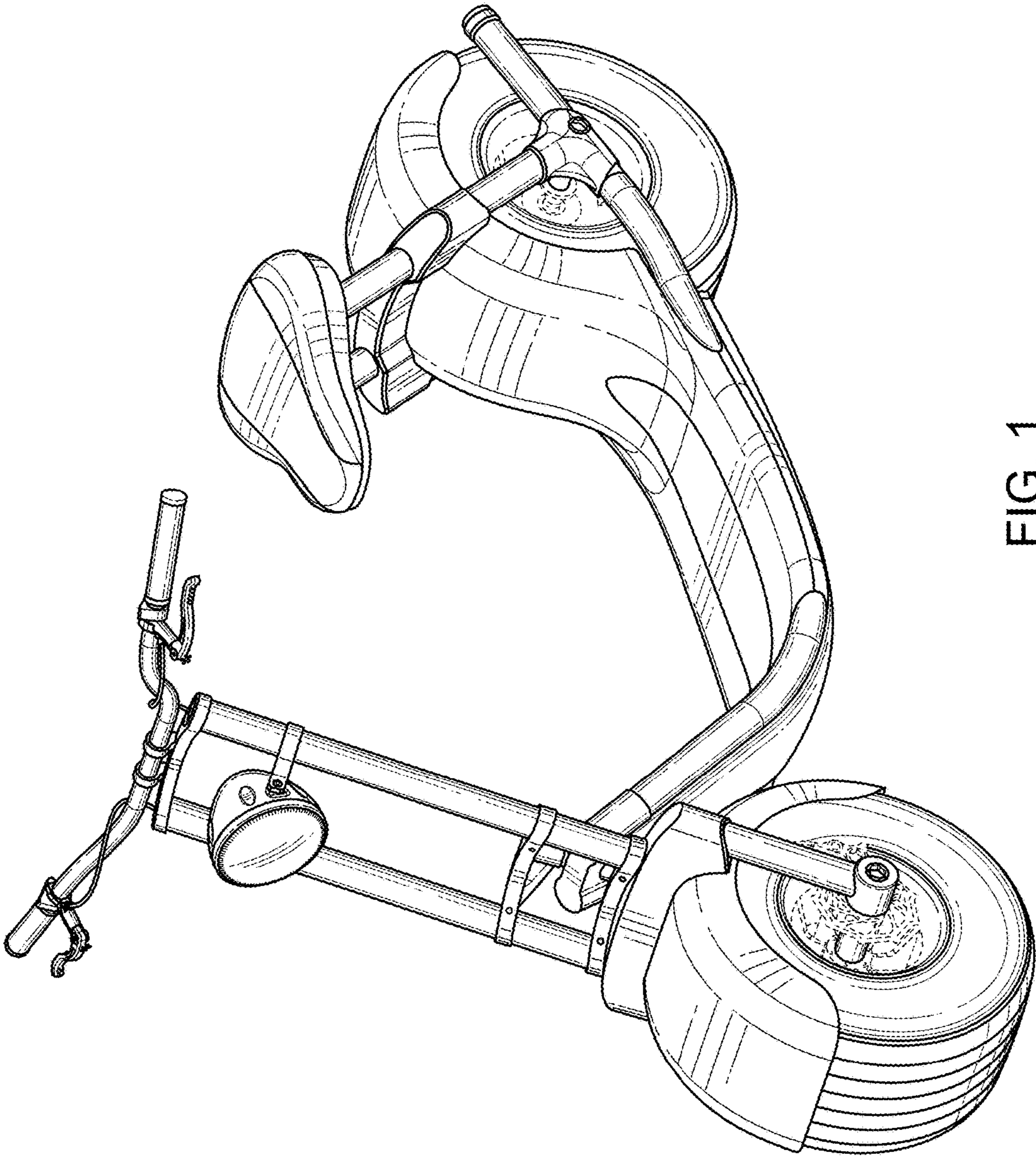


FIG. 1

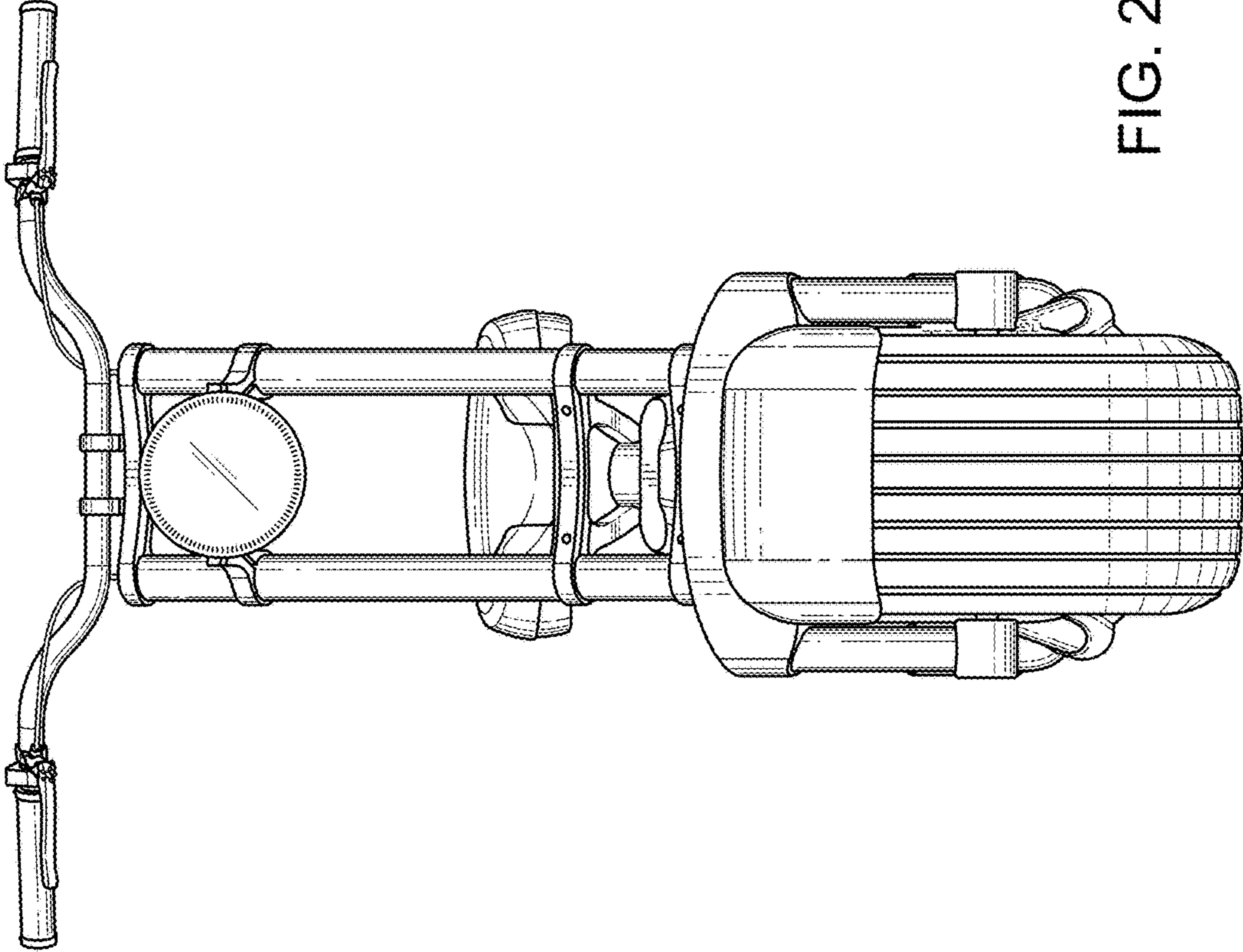


FIG. 2

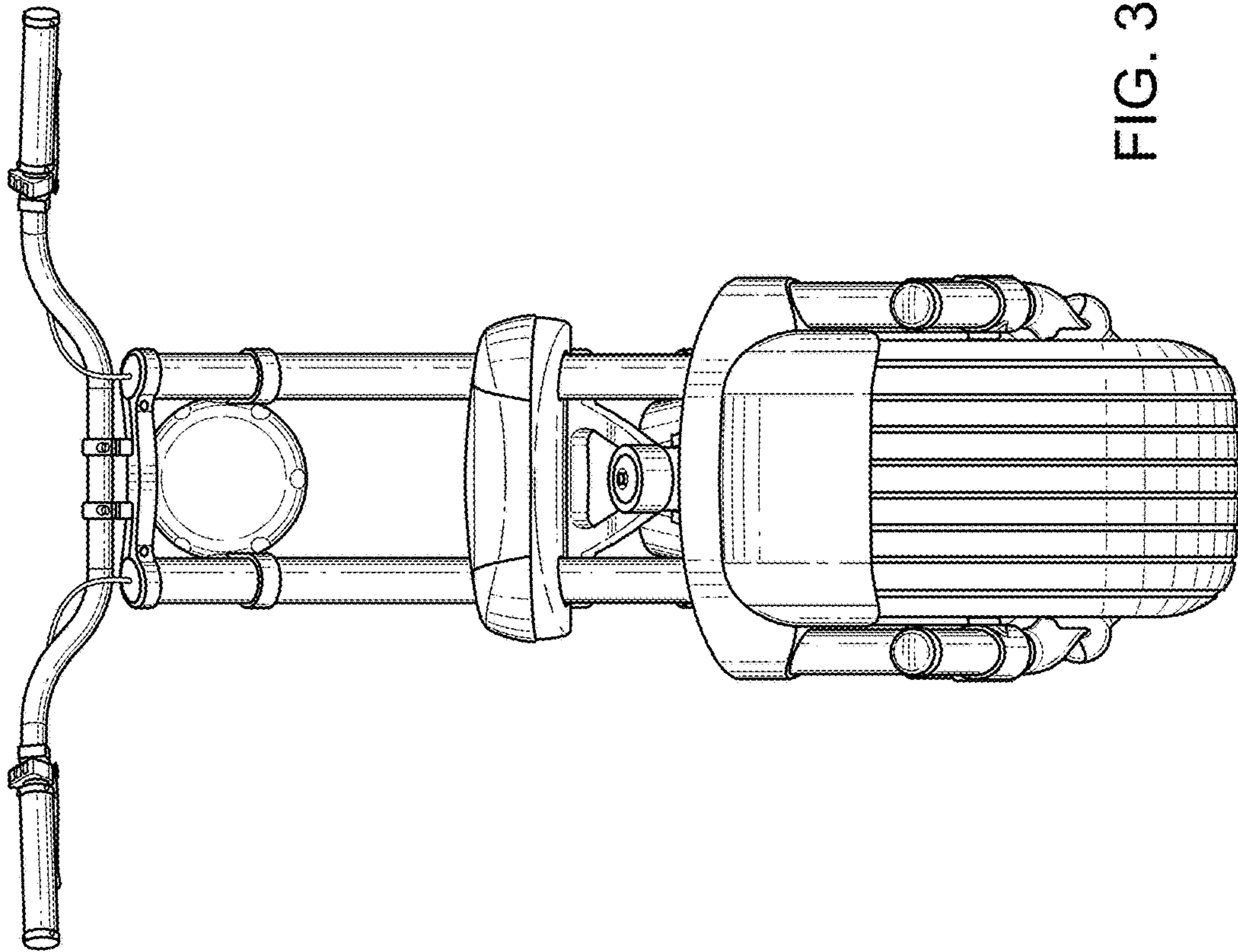


FIG. 3

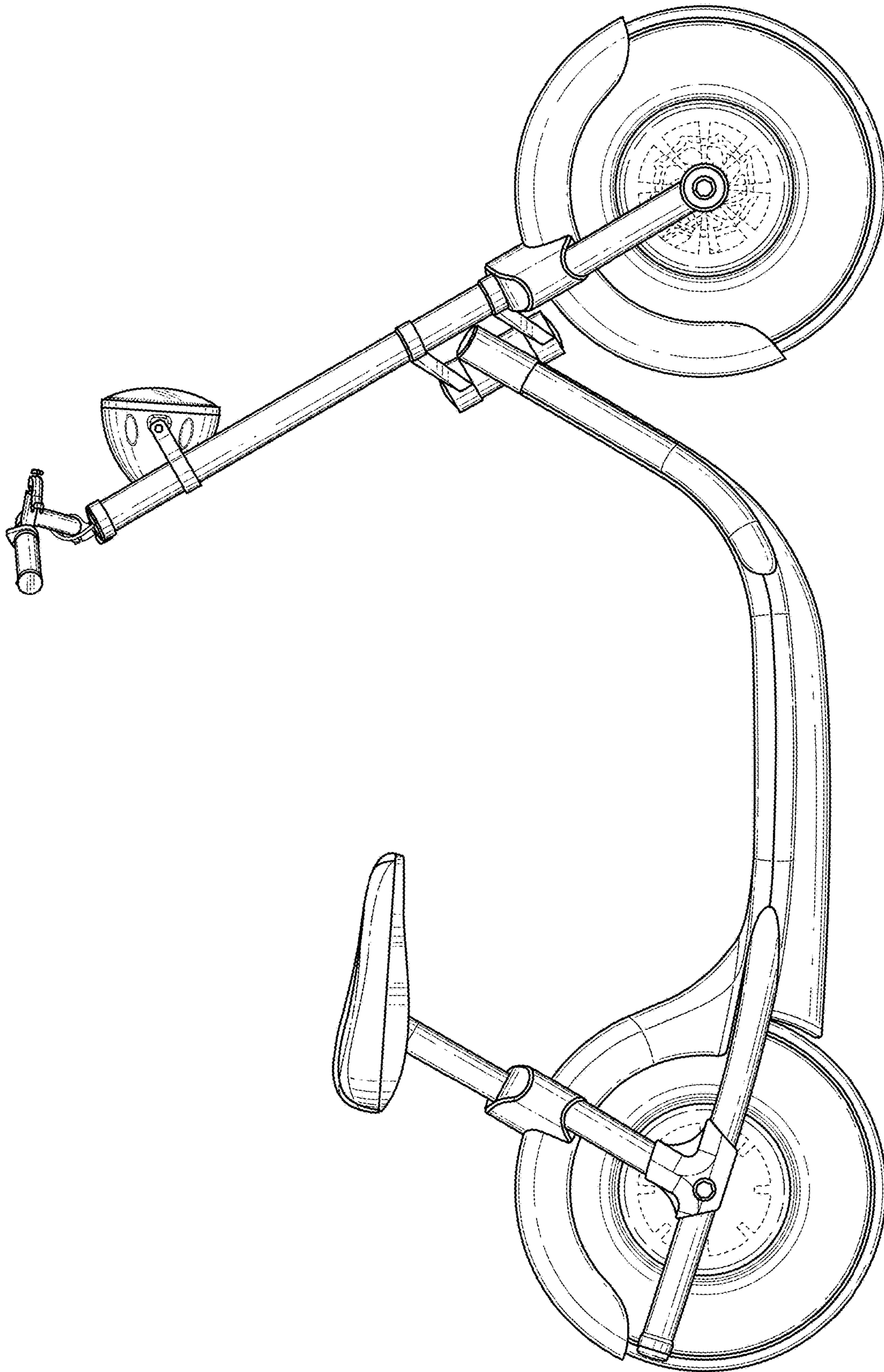


FIG. 4

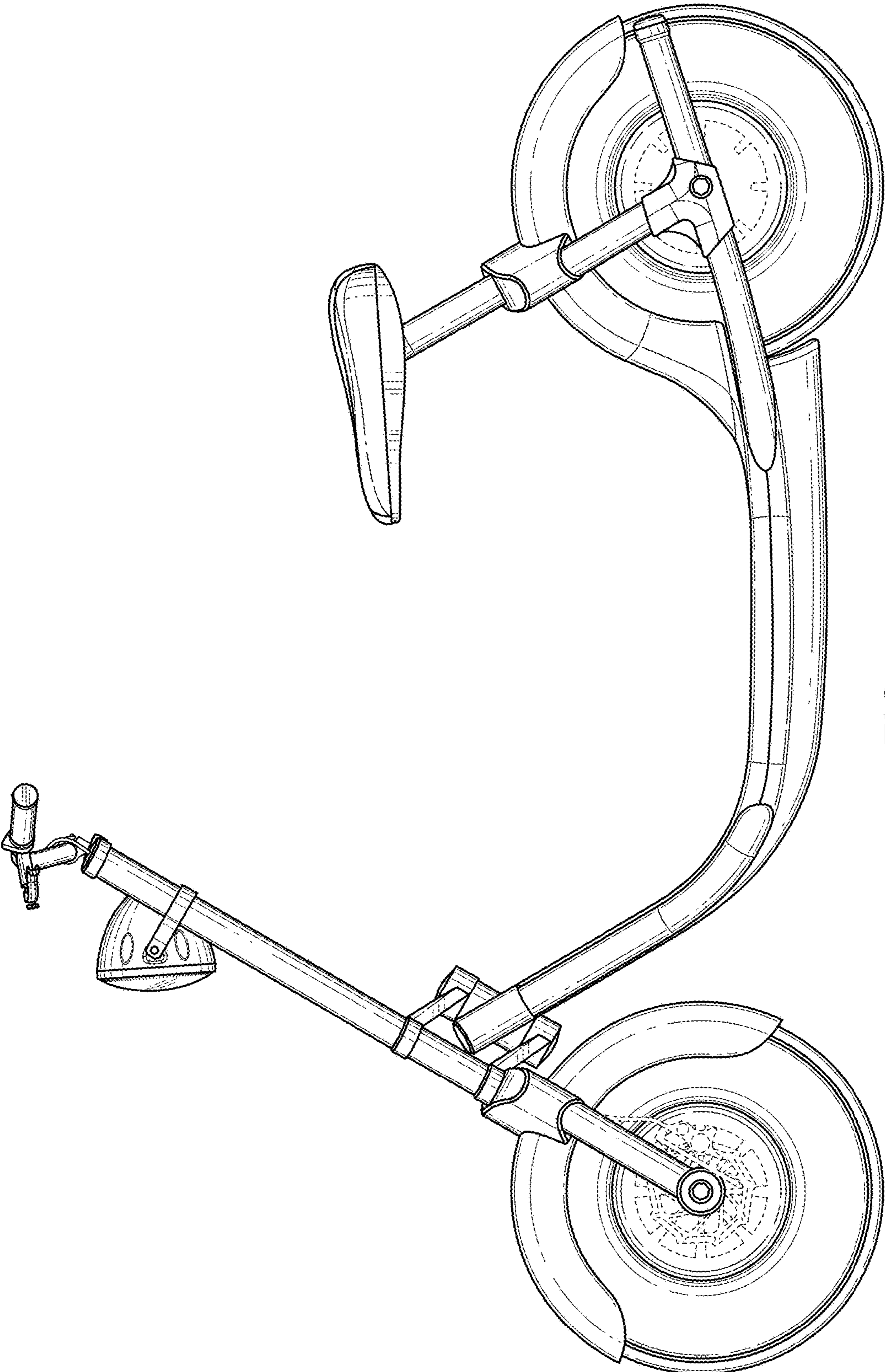


FIG. 5

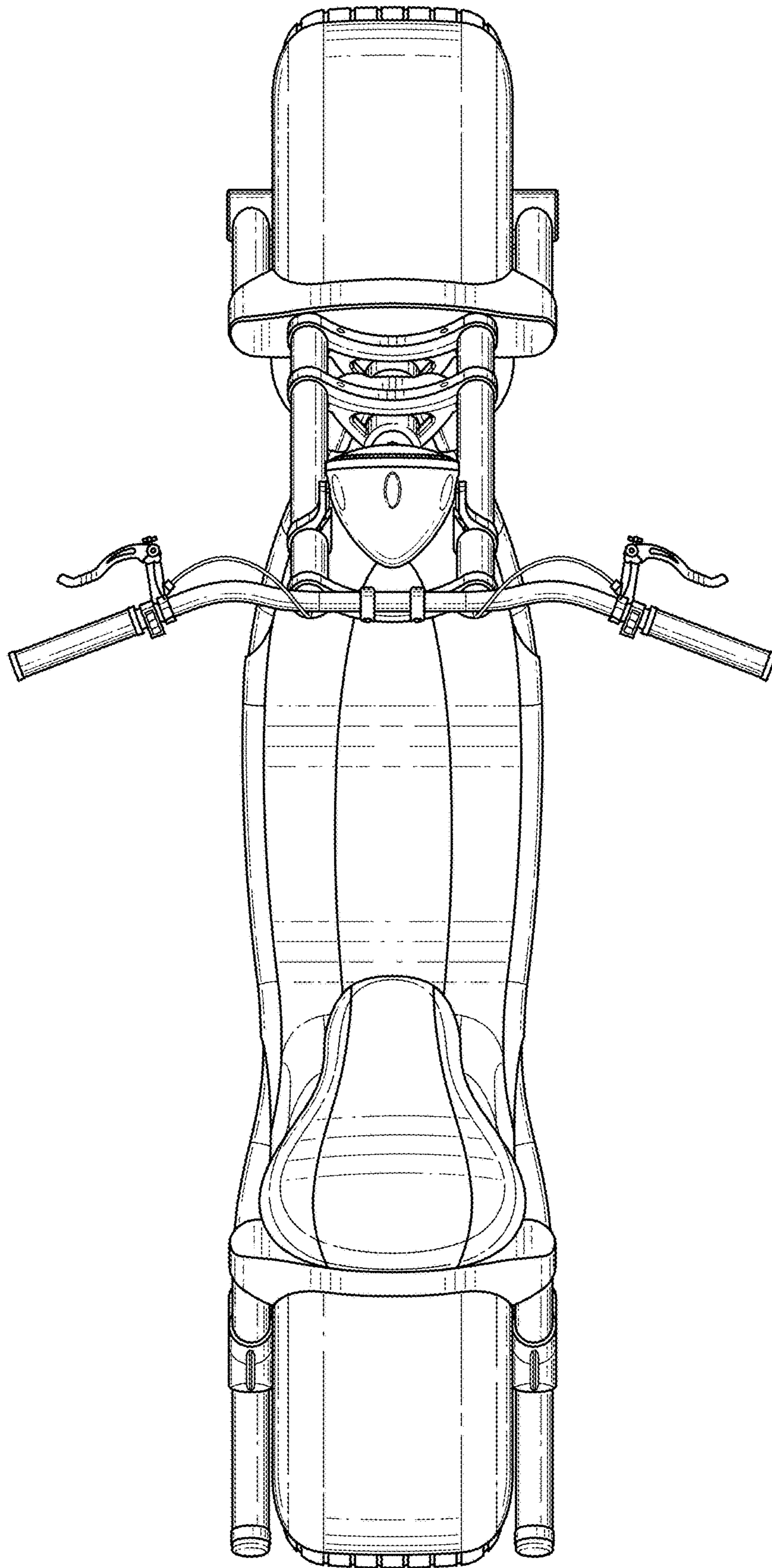


FIG. 6

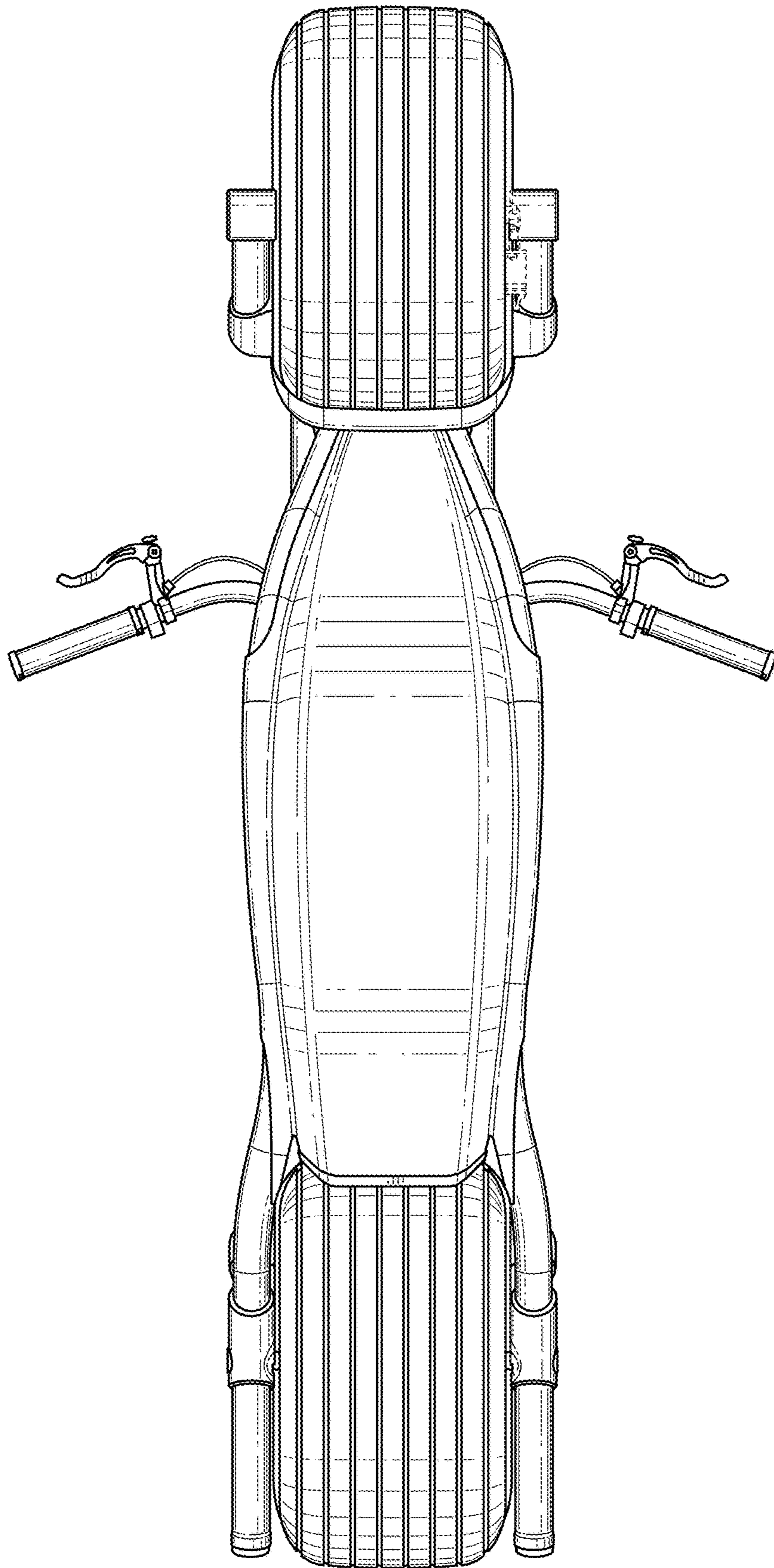


FIG. 7