



US00D803947S

(12) **United States Design Patent** (10) **Patent No.:** **US D803,947 S**  
**Lo et al.** (45) **Date of Patent:** **\*\* Nov. 28, 2017**

(54) <b>BUBBLE BLOWER</b>	4,128,962 A * 12/1978 Anderson ..... A63H 33/28 446/15
(71) Applicant: <b>Wing Hing Manufacturing Co. Ltd.,</b> Tsuen wan (HK)	4,804,346 A * 2/1989 Sheng ..... A63H 33/28 446/17
(72) Inventors: <b>Lap Shun Lo, Tsuen Wan (HK); Wai</b> <b>Chung Lo, Tsuen wan (HK)</b>	D332,808 S * 1/1993 Neuroth ..... D21/402 D627,403 S * 11/2010 Lo ..... D21/401 D643,477 S * 8/2011 Lo ..... D21/401 D670,771 S * 11/2012 Lo ..... D21/597 D670,772 S * 11/2012 Lo ..... D21/599 D716,381 S * 10/2014 Lo ..... D21/401 D735,275 S * 7/2015 Krivulin ..... D21/401
(73) Assignee: <b>WING HING MANUFACTURING</b> <b>CO., LTD., Hong Kong (HK)</b>	2011/0287685 A1* 11/2011 Lam ..... A63H 33/28 446/15
(**) Term: <b>15 Years</b>	2012/0220184 A1* 8/2012 Orem ..... A63H 33/28 446/16

(21) Appl. No.: **29/562,961**

(22) Filed: **Apr. 29, 2016**

(51) **LOC (10) Cl.** ..... **21-01**

(52) **U.S. Cl.**  
USPC ..... **D21/401; D21/599**

(58) **Field of Classification Search**  
USPC ..... D21/401, 402, 406, 458, 473, 585, 592,  
D21/597, 599; 446/15-21  
CPC ..... A63H 33/28  
See application file for complete search history.

(56) **References Cited**

**U.S. PATENT DOCUMENTS**

D20,050 S * 7/1890 Belcher ..... D21/401	
820,067 A * 5/1906 Richardson ..... A24F 19/0064	
	131/242
D162,414 S * 3/1951 Joyce ..... D21/401	
2,624,974 A * 1/1953 Fisher ..... A63H 33/28	
	446/17
D186,610 S * 11/1959 Allen et al. .... D21/401	
3,021,639 A * 2/1962 Allen ..... A63H 33/28	
	40/408
3,093,925 A * 6/1963 Greene ..... A63H 33/28	
	446/18
3,473,253 A * 10/1969 Andreotta ..... A63H 33/28	
	446/20

**FOREIGN PATENT DOCUMENTS**

CN	302233031	* 12/2012
CN	302431371	* 5/2013

(Continued)

*Primary Examiner* — Catherine A Tuttle

(74) *Attorney, Agent, or Firm* — Fisher Broyles LLP

(57) **CLAIM**

The ornamental design for a bubble blower, as shown and described.

**DESCRIPTION**

FIG. 1 is a perspective view of the bubble blower showing our new design;

FIG. 2 is a front view thereof;

FIG. 3 is a back view thereof;

FIG. 4 is a right side view thereof;

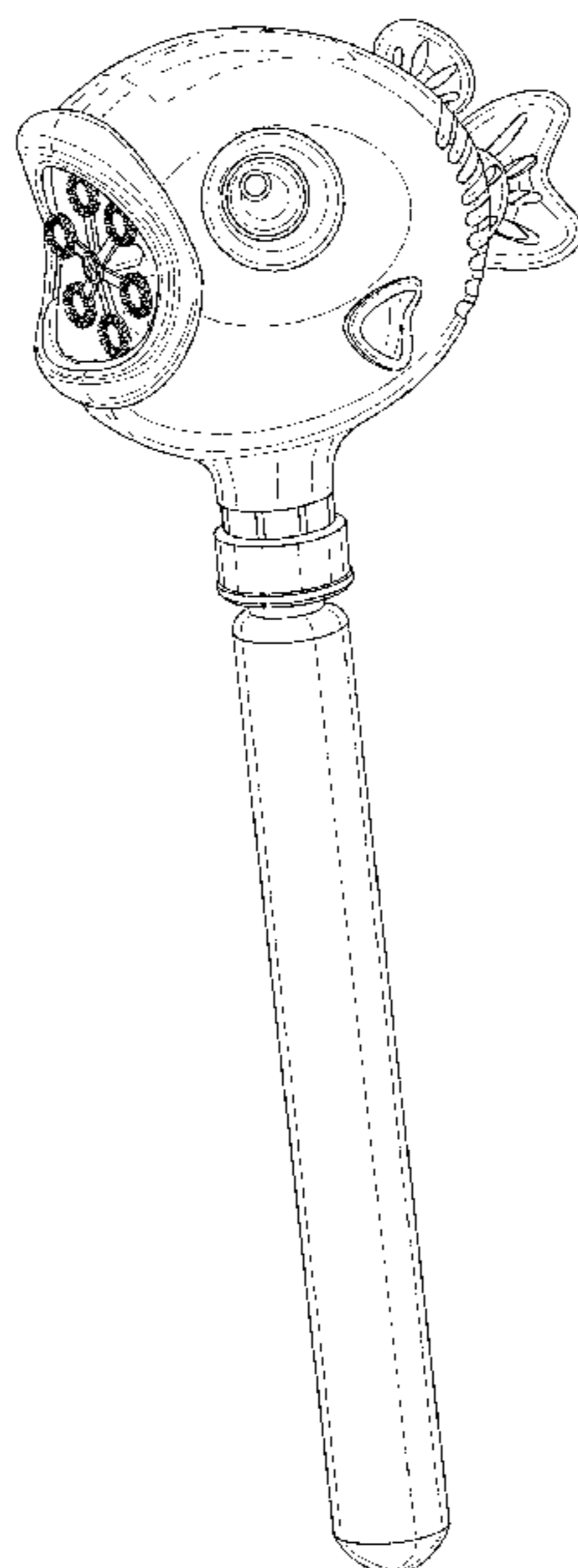
FIG. 5 is a left side view thereof;

FIG. 6 is a top view thereof; and,

FIG. 7 is a bottom view thereof.

The broken lines are included for the purpose of illustrating interior portions of the bubble blower that form no part of the claimed design.

**1 Claim, 6 Drawing Sheets**



(56)

**References Cited**

FOREIGN PATENT DOCUMENTS

CN	302742865	*	2/2014
CN	303533142	*	12/2015
KR	300813697.0000	*	9/2015

\* cited by examiner

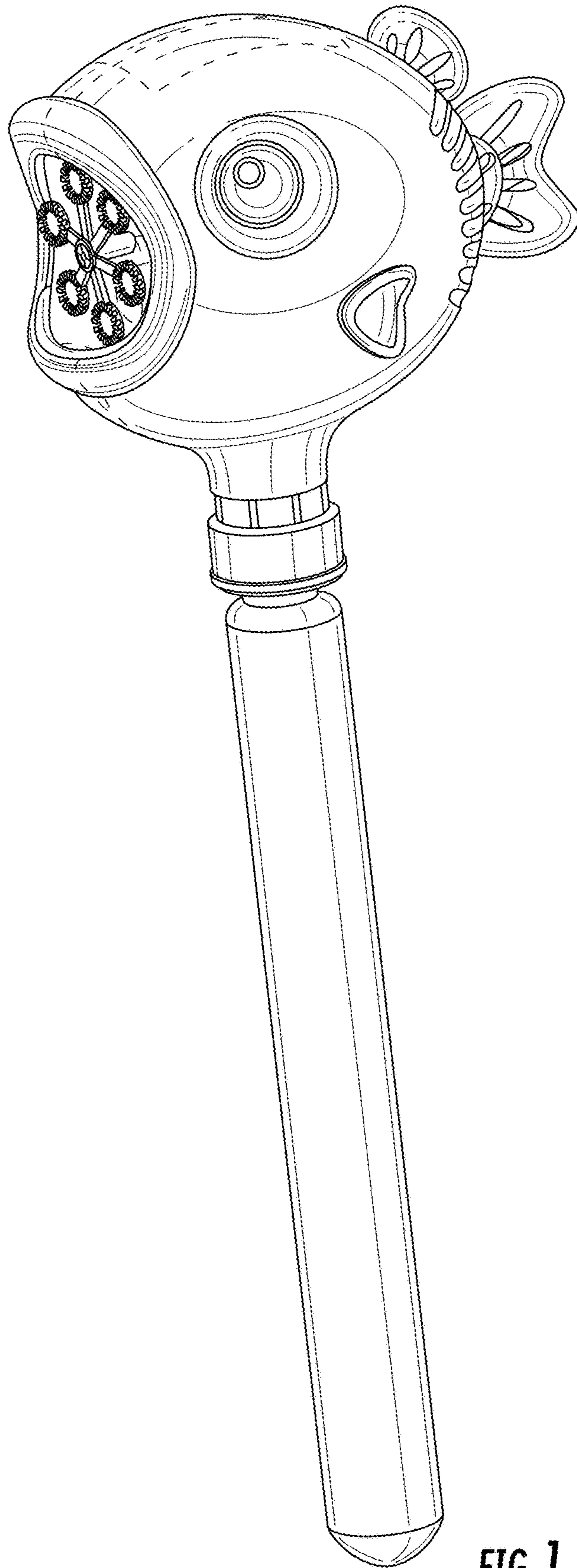


FIG. 1

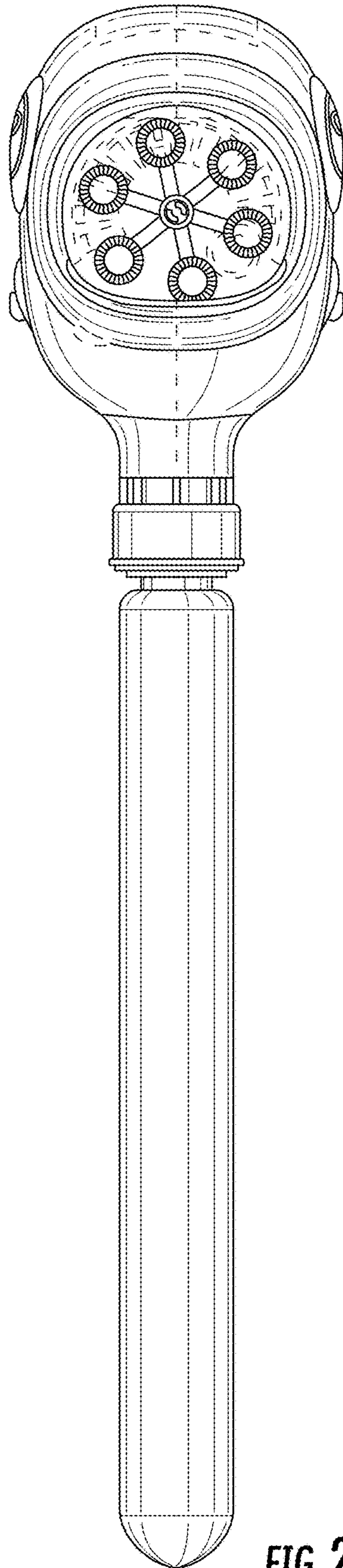
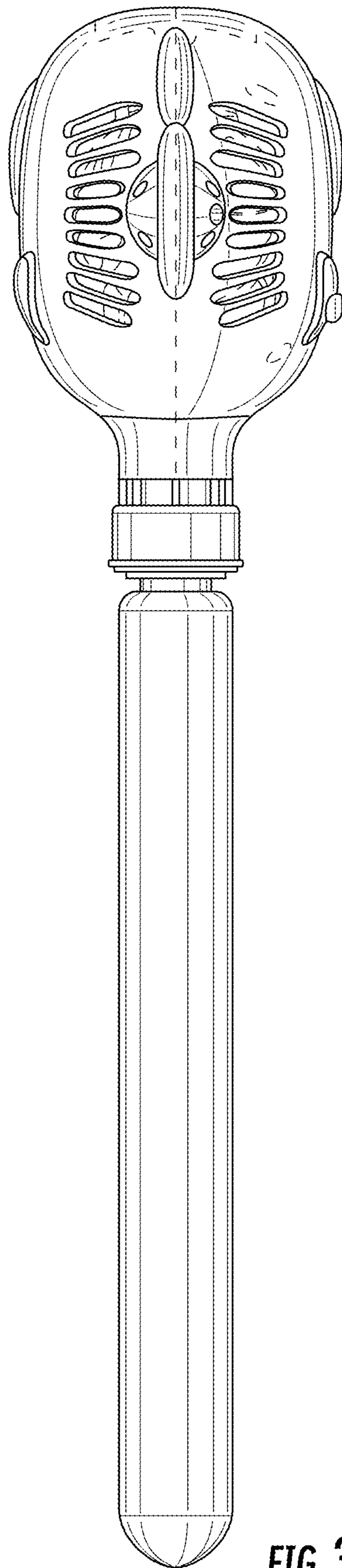


FIG. 2



**FIG. 3**

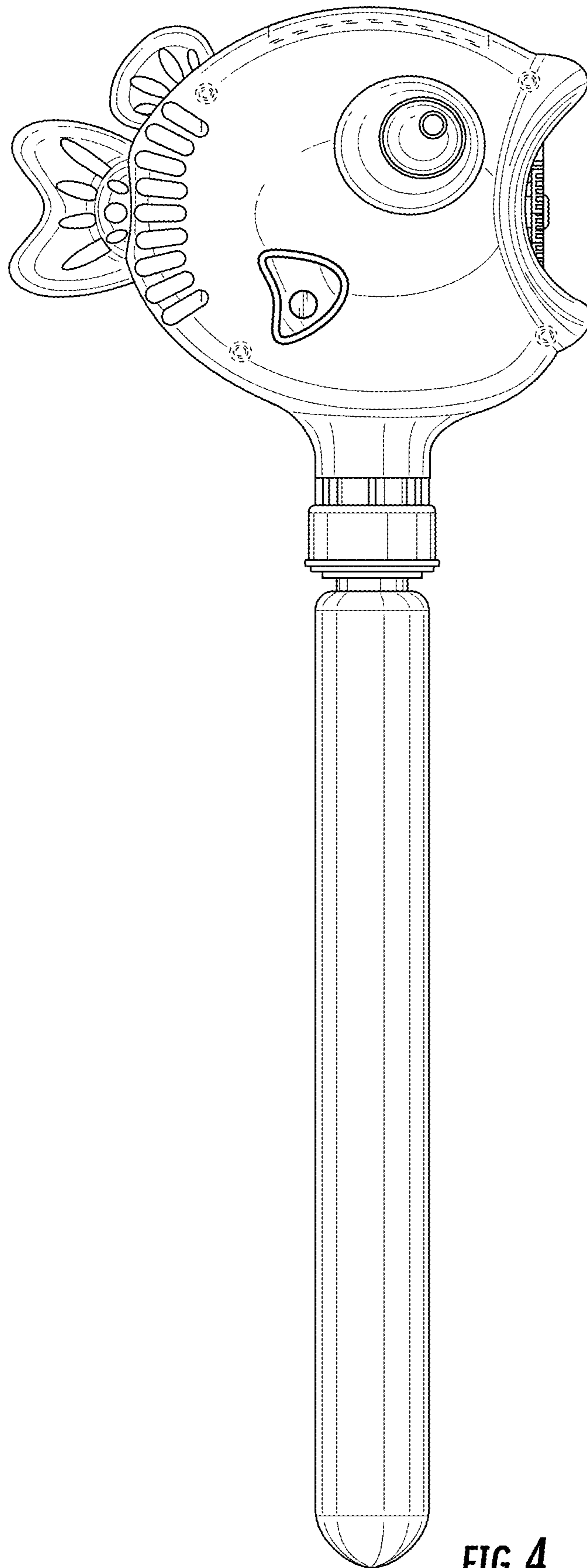


FIG. 4

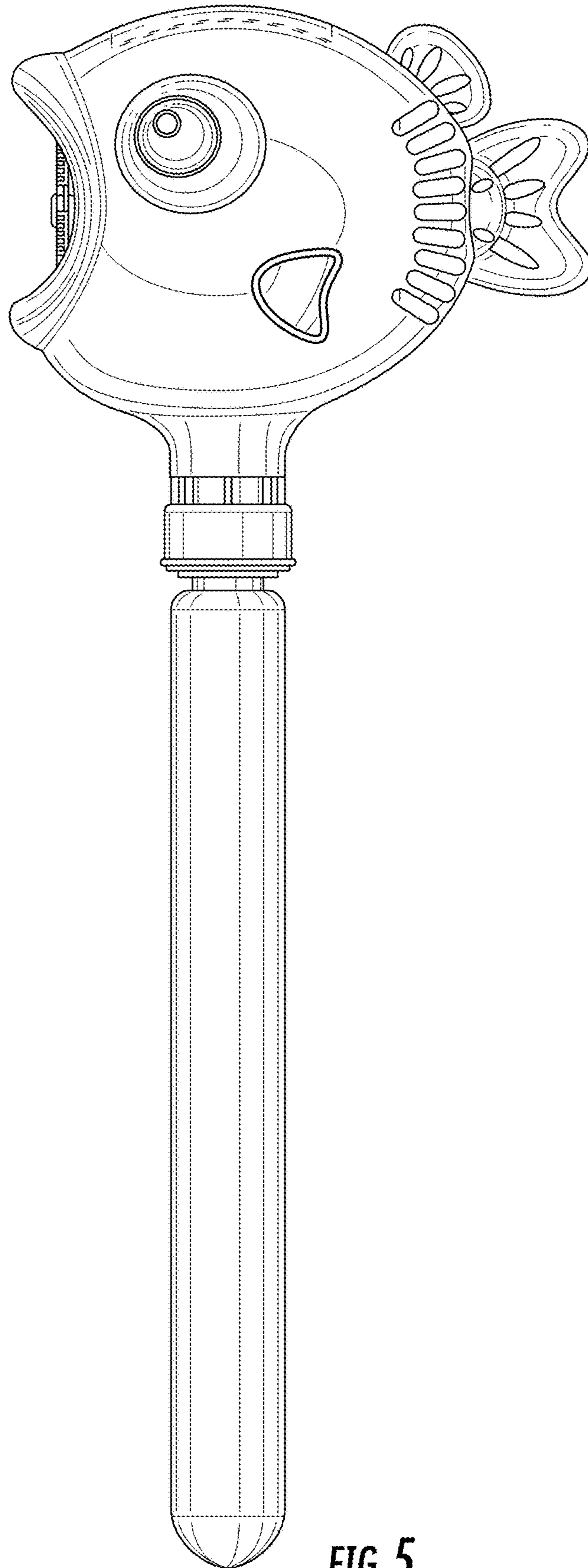


FIG. 5

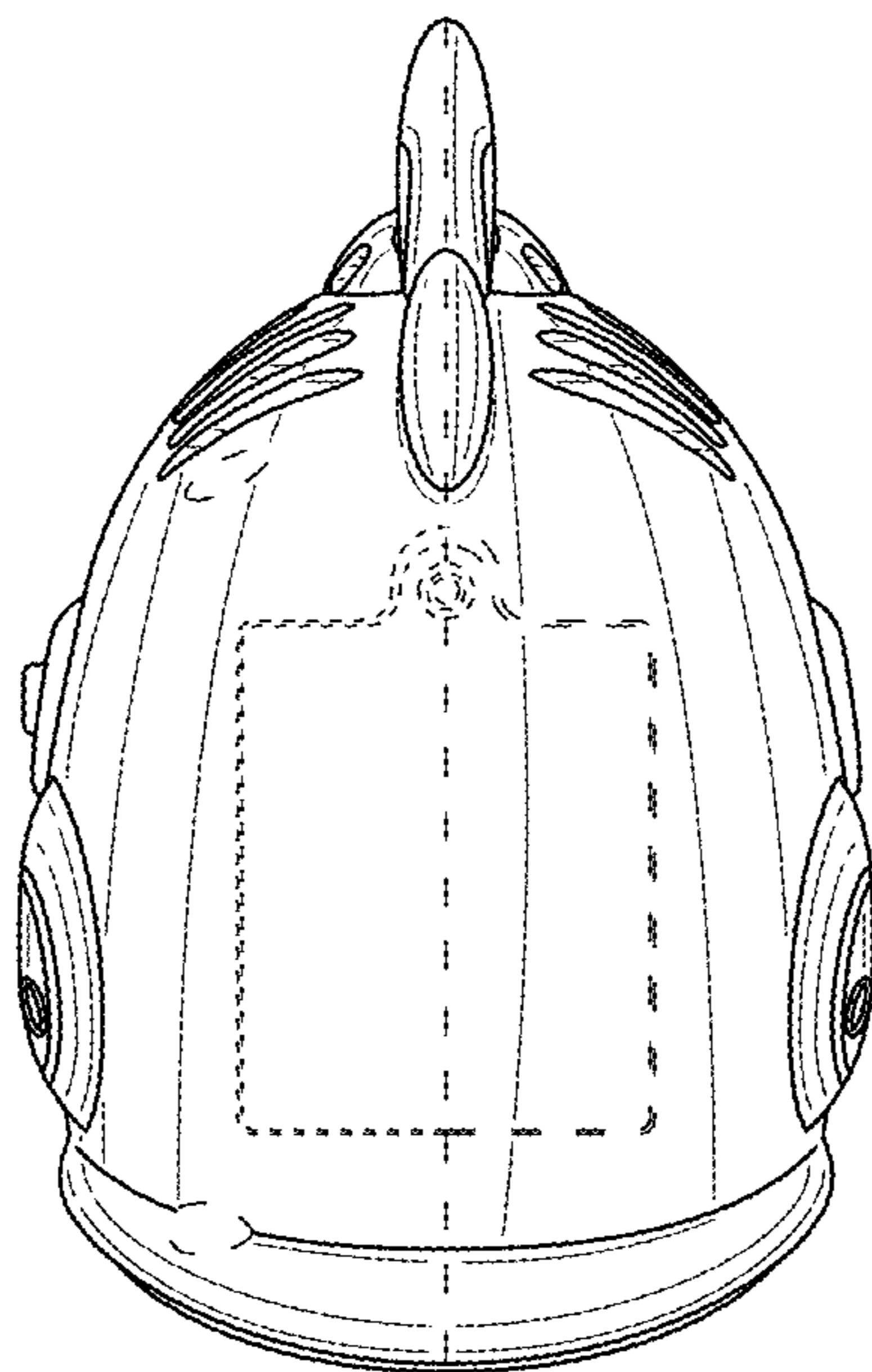


FIG. 6

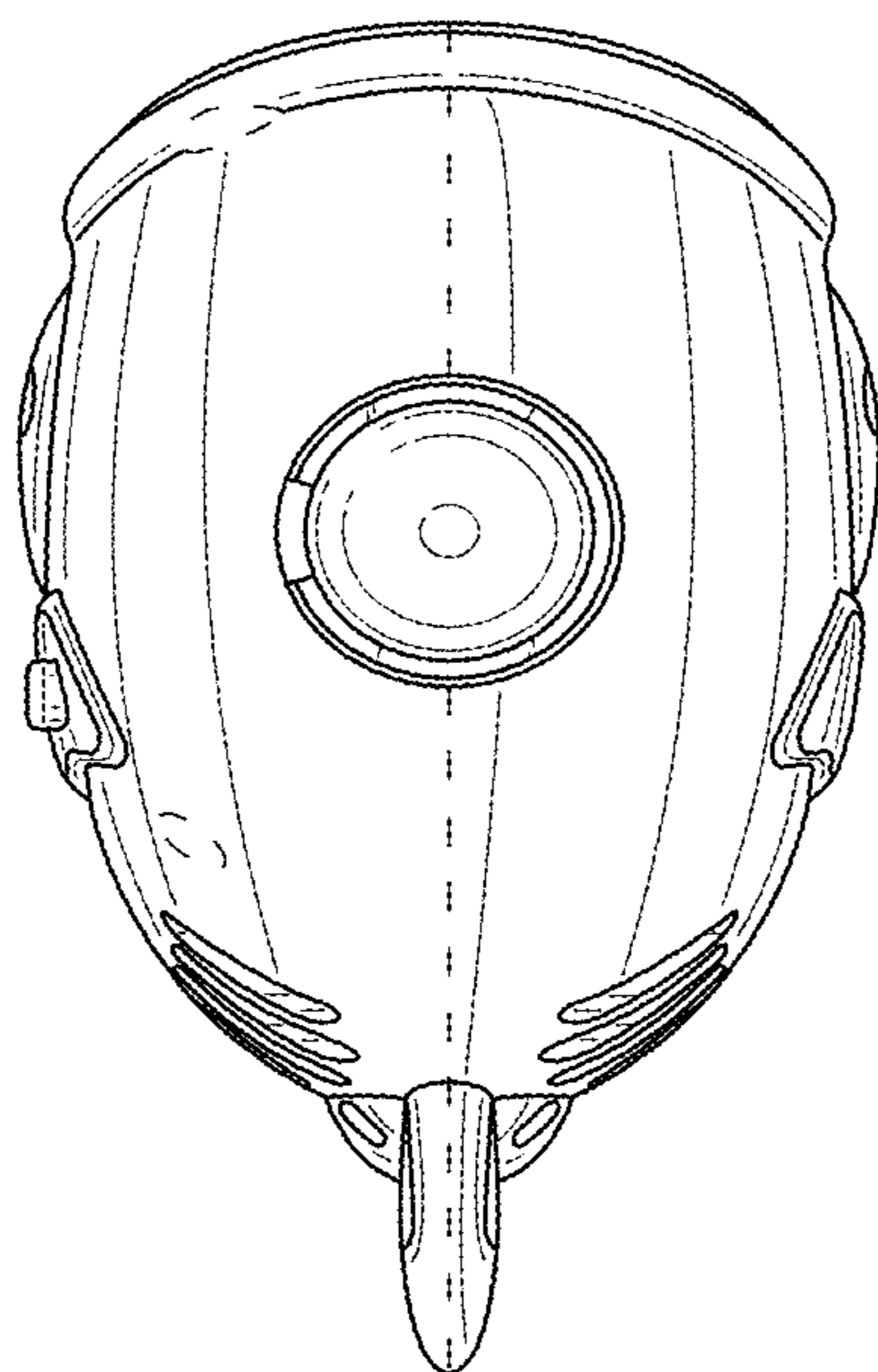


FIG. 7