



US00D803946S

(12) **United States Design Patent**
Matsuda

(10) **Patent No.:** **US D803,946 S**

(45) **Date of Patent:** **** Nov. 28, 2017**

(54) **GRIP**

(71) Applicant: **Go Matsuda**, Yokohama (JP)

(72) Inventor: **Go Matsuda**, Yokohama (JP)

(**) Term: **15 Years**

(21) Appl. No.: **29/580,269**

(22) Filed: **Oct. 6, 2016**

(51) **LOC (10) Cl.** **21-01**

(52) **U.S. Cl.**
USPC **D21/333**; D14/401; D14/412

(58) **Field of Classification Search**
USPC D14/399-401, 412-418; 273/148 B;
463/1, 29-39, 46, 47; 345/156-161, 905;
D21/333, 328
CPC .. A63F 13/02; A63F 9/24; A63F 13/12; A63F
9/00; A63F 11/00; A63F 71/00; G06F
3/02; G06F 3/033; G09G 5/00

See application file for complete search history.

(56) **References Cited**

U.S. PATENT DOCUMENTS

D415,485 S *	10/1999	Leifer	D14/401
D441,760 S *	5/2001	Hibino	D14/415
6,557,853 B2 *	5/2003	Huettlinger	A63F 13/02
				273/148 B
D475,710 S *	6/2003	Sheehan	A63F 13/24
				D14/401
D624,079 S *	9/2010	Jennings	D14/401

D636,773 S *	4/2011	Lin	D14/401
D638,016 S *	5/2011	Ikeda	D14/401
D638,841 S *	5/2011	Musick, Jr.	D14/412
D697,140 S *	1/2014	Baum	D14/401
D719,614 S *	12/2014	Baum	D14/401
9,081,426 B2 *	7/2015	Armstrong	G05G 9/04737
D740,369 S *	10/2015	Cho	D21/333
D763,359 S *	8/2016	Kwong	D14/401

* cited by examiner

Primary Examiner — Prabhakar Deshmukh

(74) *Attorney, Agent, or Firm* — Michael N. Cohen;
Cohen IP Law Group PC

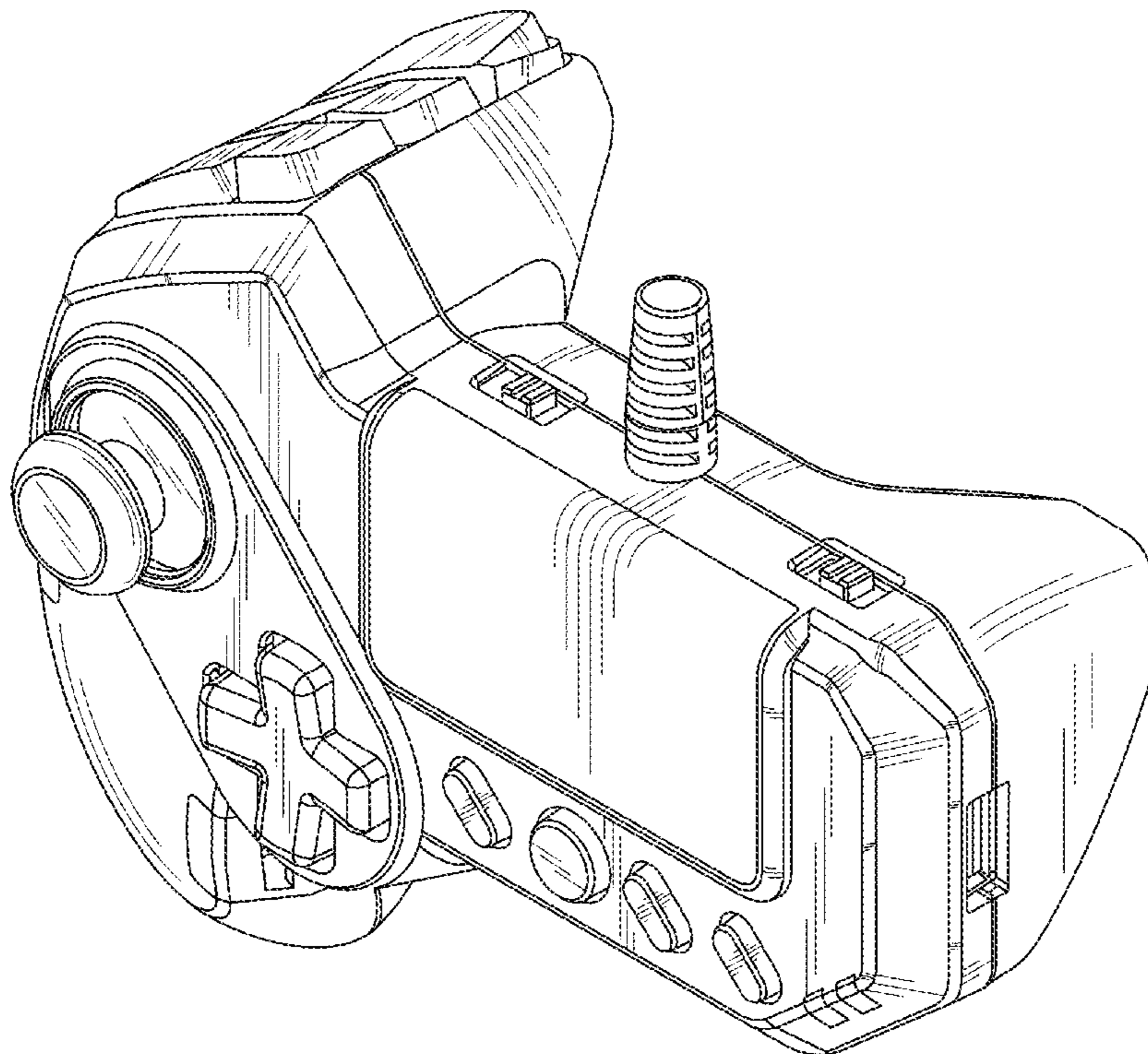
(57) **CLAIM**

I claim the ornamental design for the grip, as shown and described.

DESCRIPTION

FIG. 1 is a top perspective view of the grip;
FIG. 2 is a top view of FIG. 1;
FIG. 3 is a bottom view of FIG. 1;
FIG. 4 is a back view of FIG. 1;
FIG. 5 is a front view of FIG. 1;
FIG. 6 is a right side of FIG. 1; and,
FIG. 7 is a left side of FIG. 1.

1 Claim, 5 Drawing Sheets



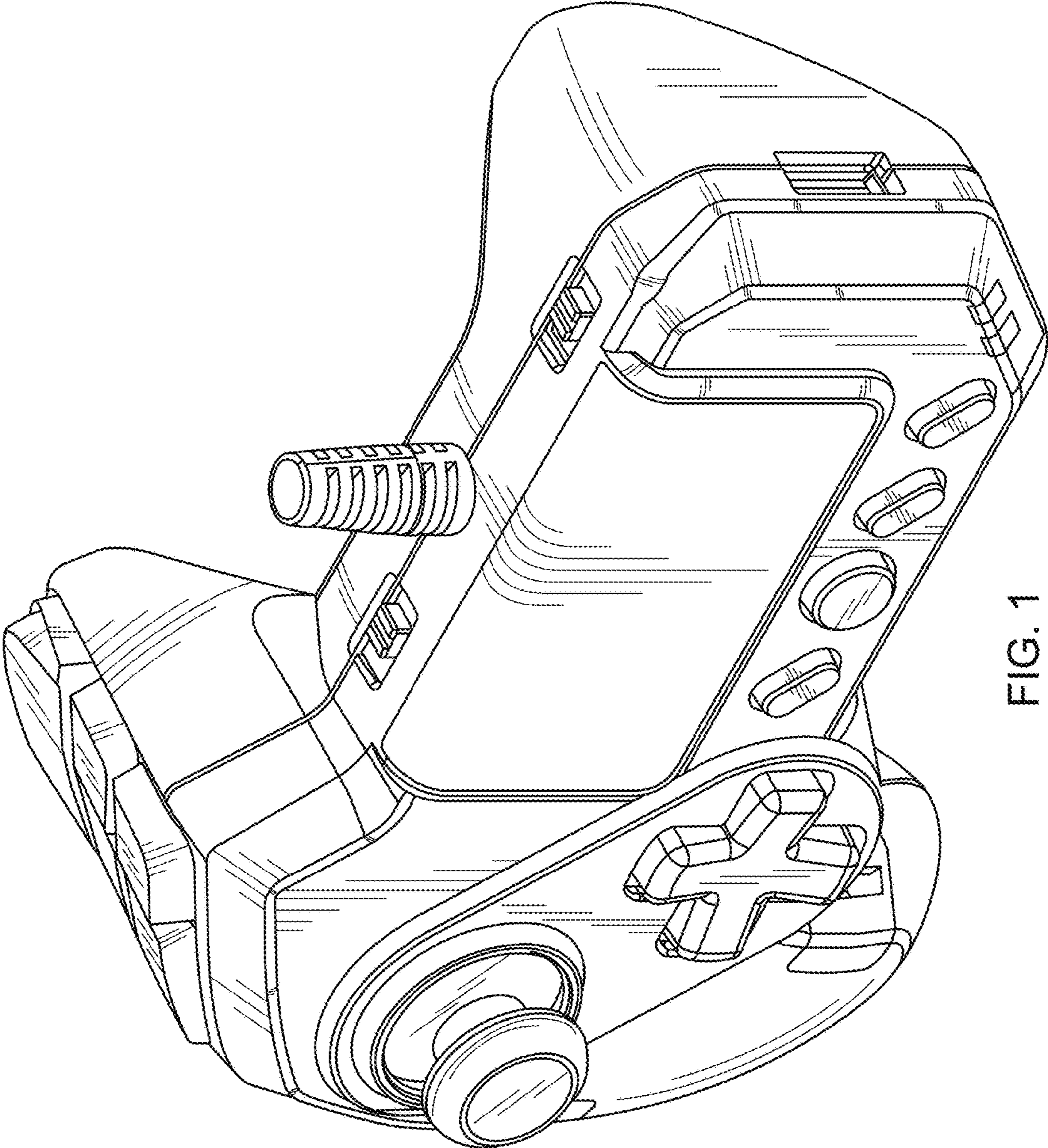


FIG. 1

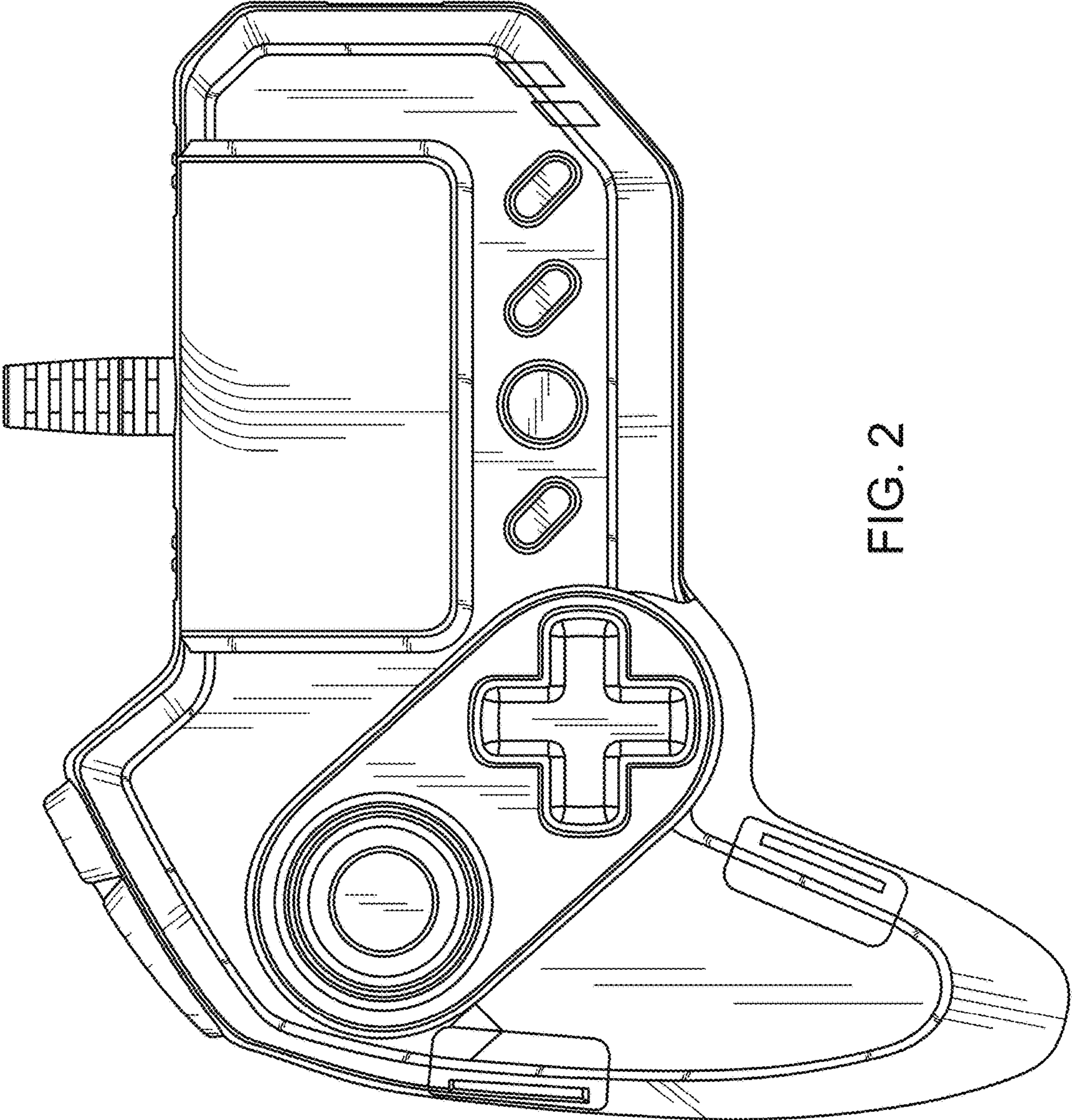


FIG. 2

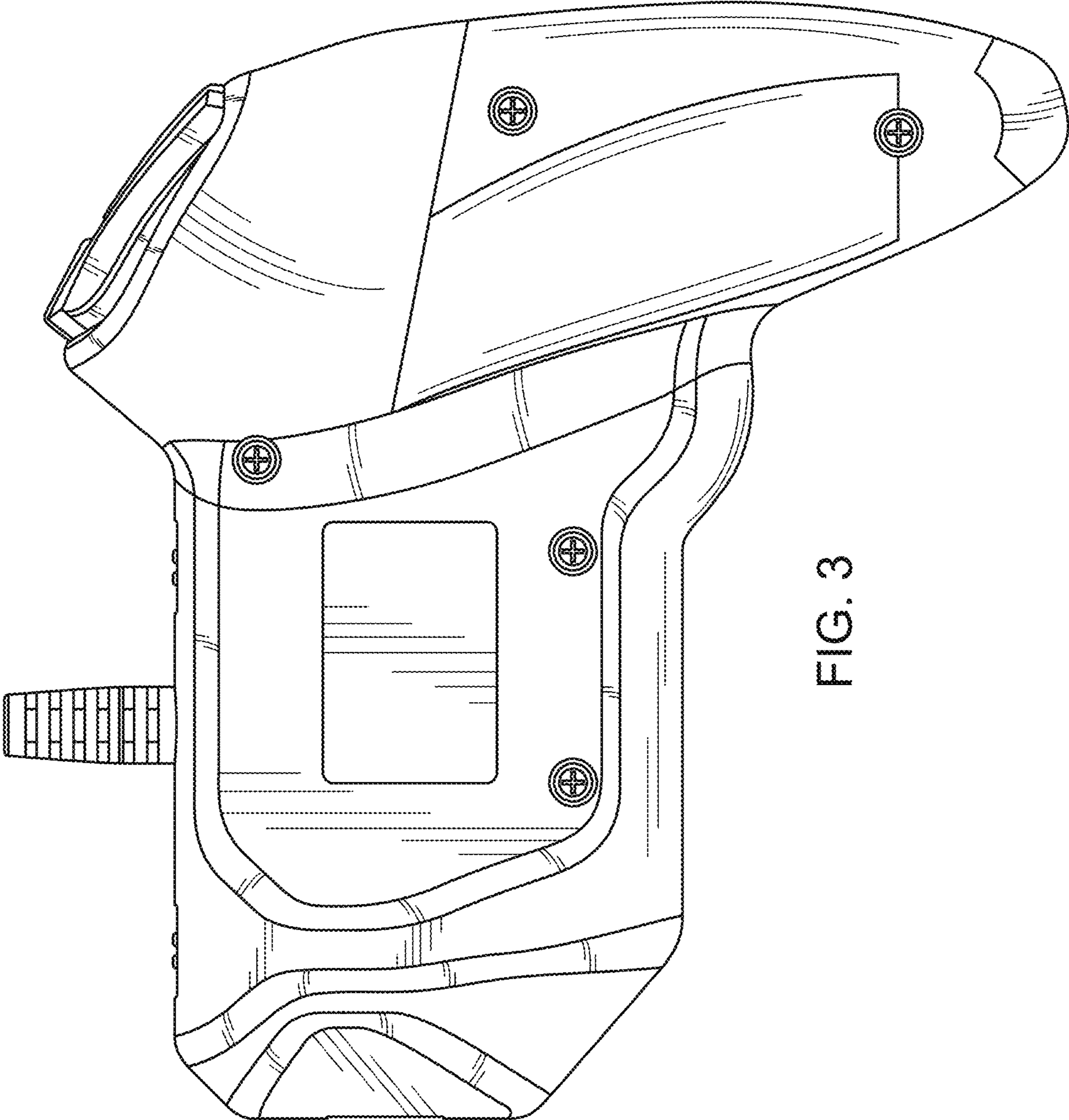


FIG. 3

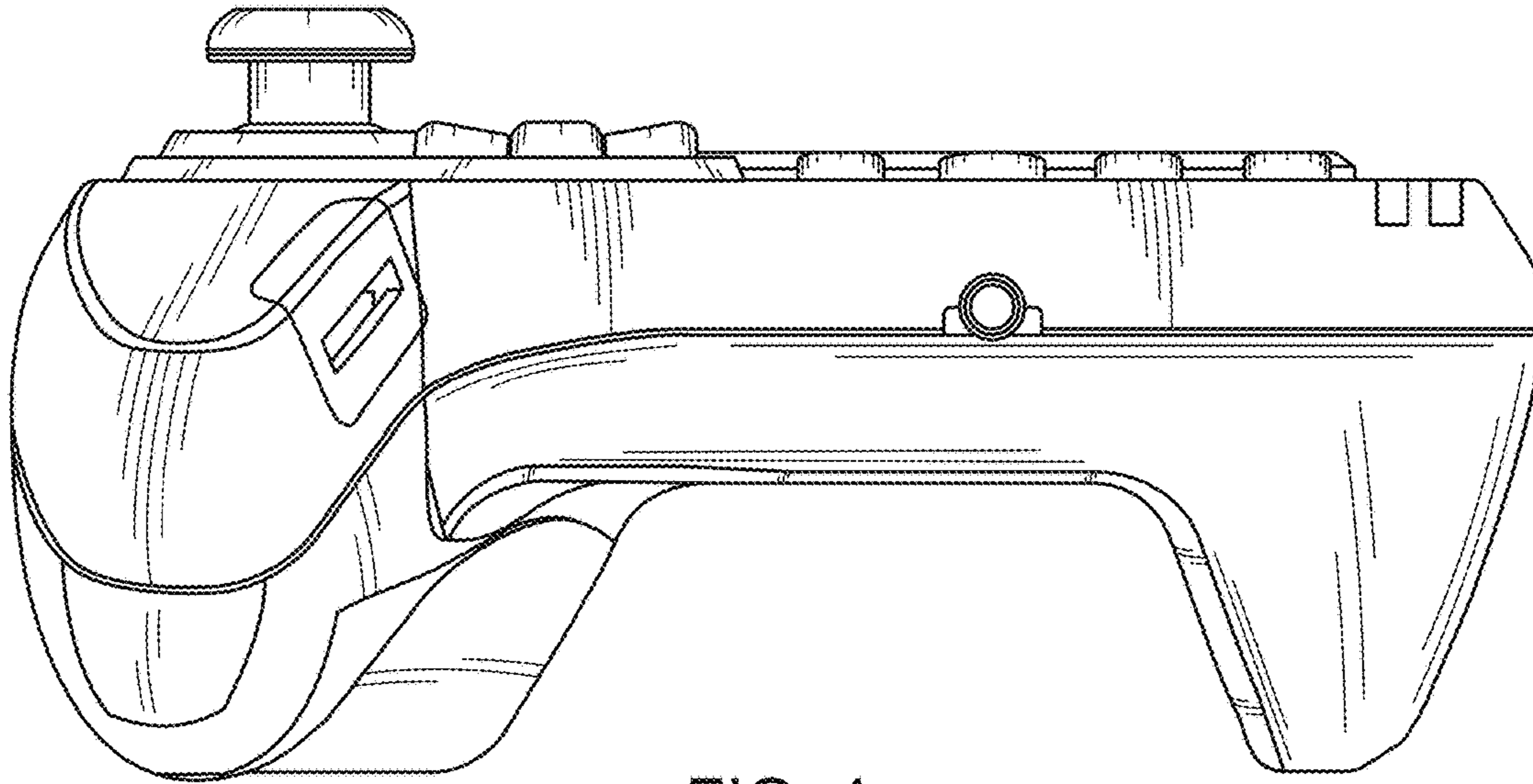


FIG. 4

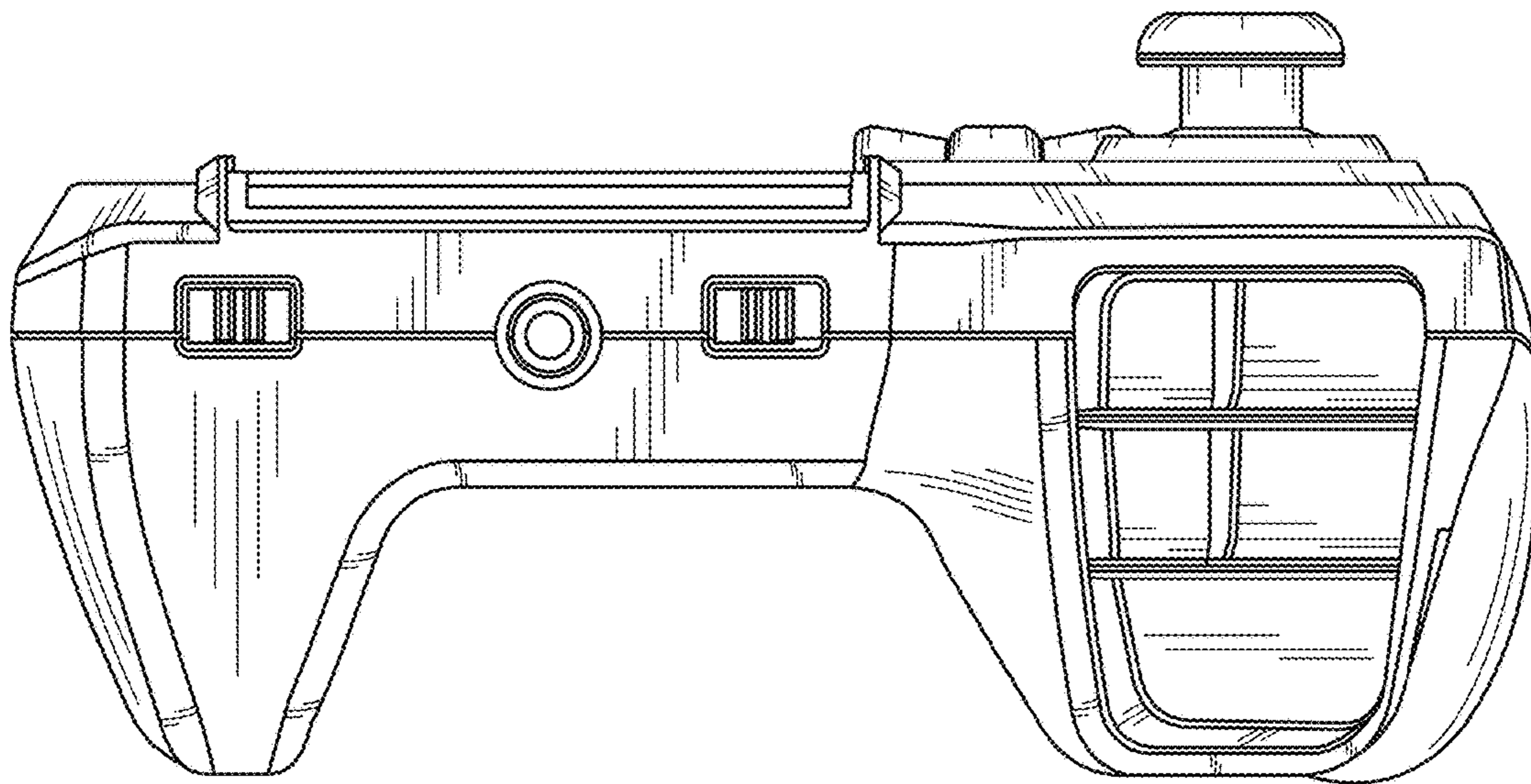


FIG. 5

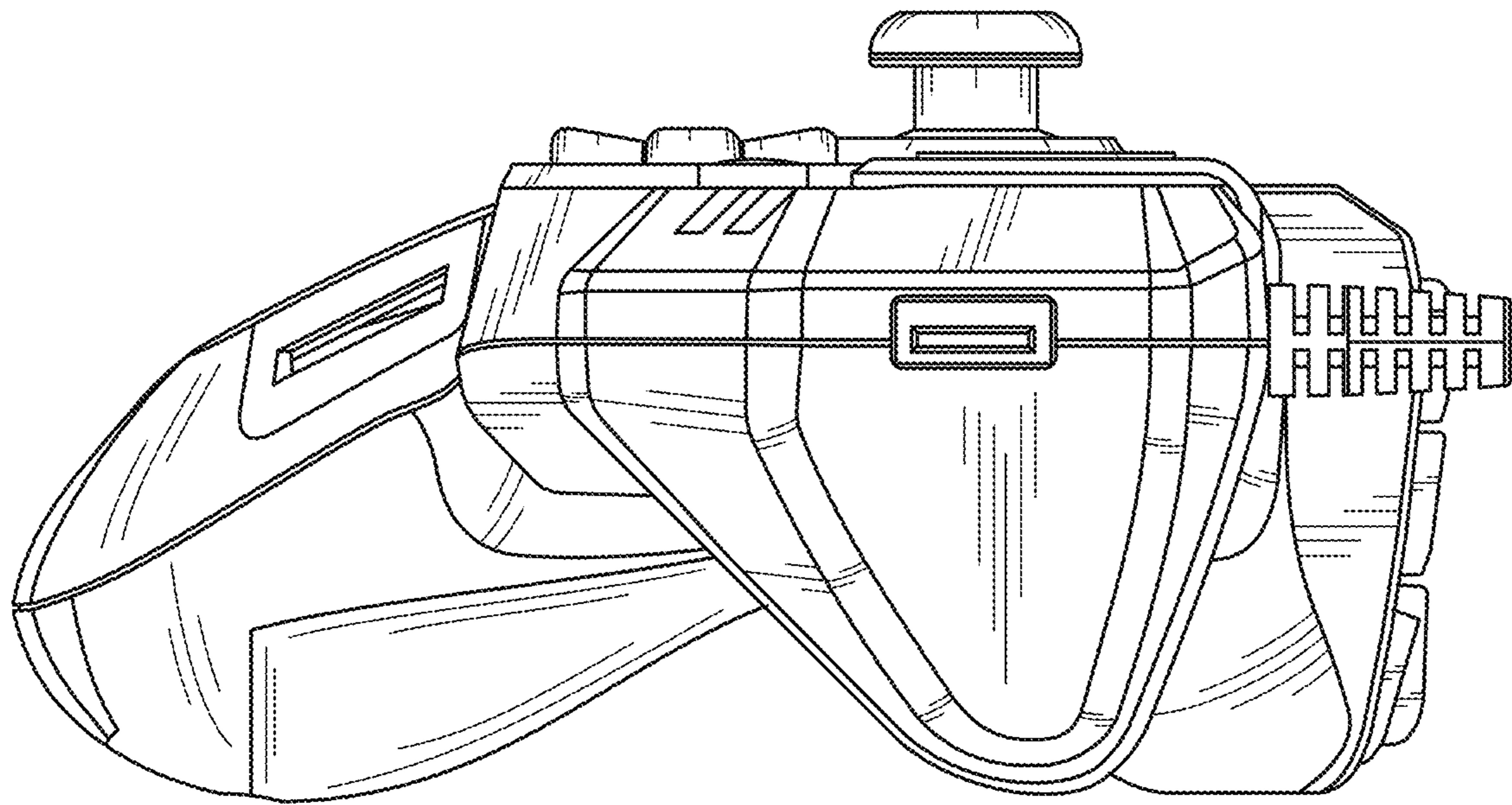


FIG. 6

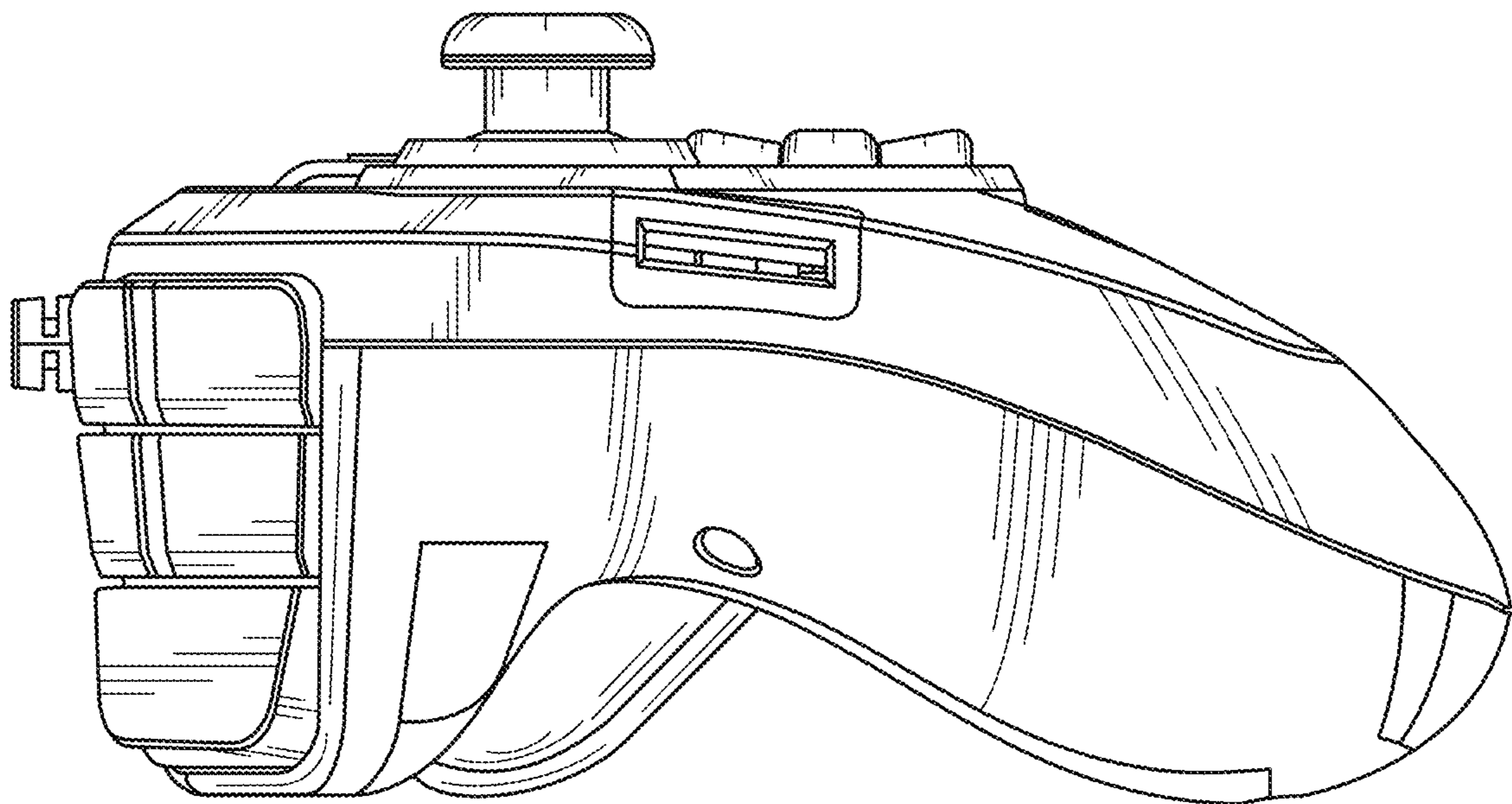


FIG. 7