



US00D803945S

(12) **United States Design Patent**
Matsuda

(10) **Patent No.:** **US D803,945 S**

(45) **Date of Patent:** **** Nov. 28, 2017**

(54) **KEYPAD**

(71) Applicant: **Go Matsuda**, Yokohama (JP)

(72) Inventor: **Go Matsuda**, Yokohama (JP)

(**) Term: **15 Years**

(21) Appl. No.: **29/580,268**

(22) Filed: **Oct. 6, 2016**

(51) **LOC (10) Cl.** **21-01**

(52) **U.S. Cl.**
USPC **D21/333**; D14/401; D14/412

(58) **Field of Classification Search**
USPC D14/399-401, 412-418; 273/148 B;
463/1, 29-39, 46, 47; 345/156-161, 905;
D21/333, 328

CPC .. A63F 13/02; A63F 9/24; A63F 13/12; A63F
9/00; A63F 11/00; A63F 71/00; G06F
3/02; G06F 3/033; G09G 5/00
See application file for complete search history.

(56) **References Cited**

U.S. PATENT DOCUMENTS

D347,835 S * 6/1994 Zarnowitz D14/399
7,056,043 B2 * 6/2006 Pletikosa G06F 1/1626
235/145 A

7,123,242 B1 * 10/2006 Henty G06F 3/021
340/815.6

D582,423 S * 12/2008 Ikeda D14/401

D615,544 S * 5/2010 Pascucci D14/217

D658,649 S * 5/2012 Mody D14/397

D717,877 S * 11/2014 Cerone D21/333

D728,571 S * 5/2015 Perris D14/399

D768,785 S * 10/2016 Kim D21/333

* cited by examiner

Primary Examiner — Prabhakar Deshmukh

(74) *Attorney, Agent, or Firm* — Michael N. Cohen;
Cohen IP Law Group PC

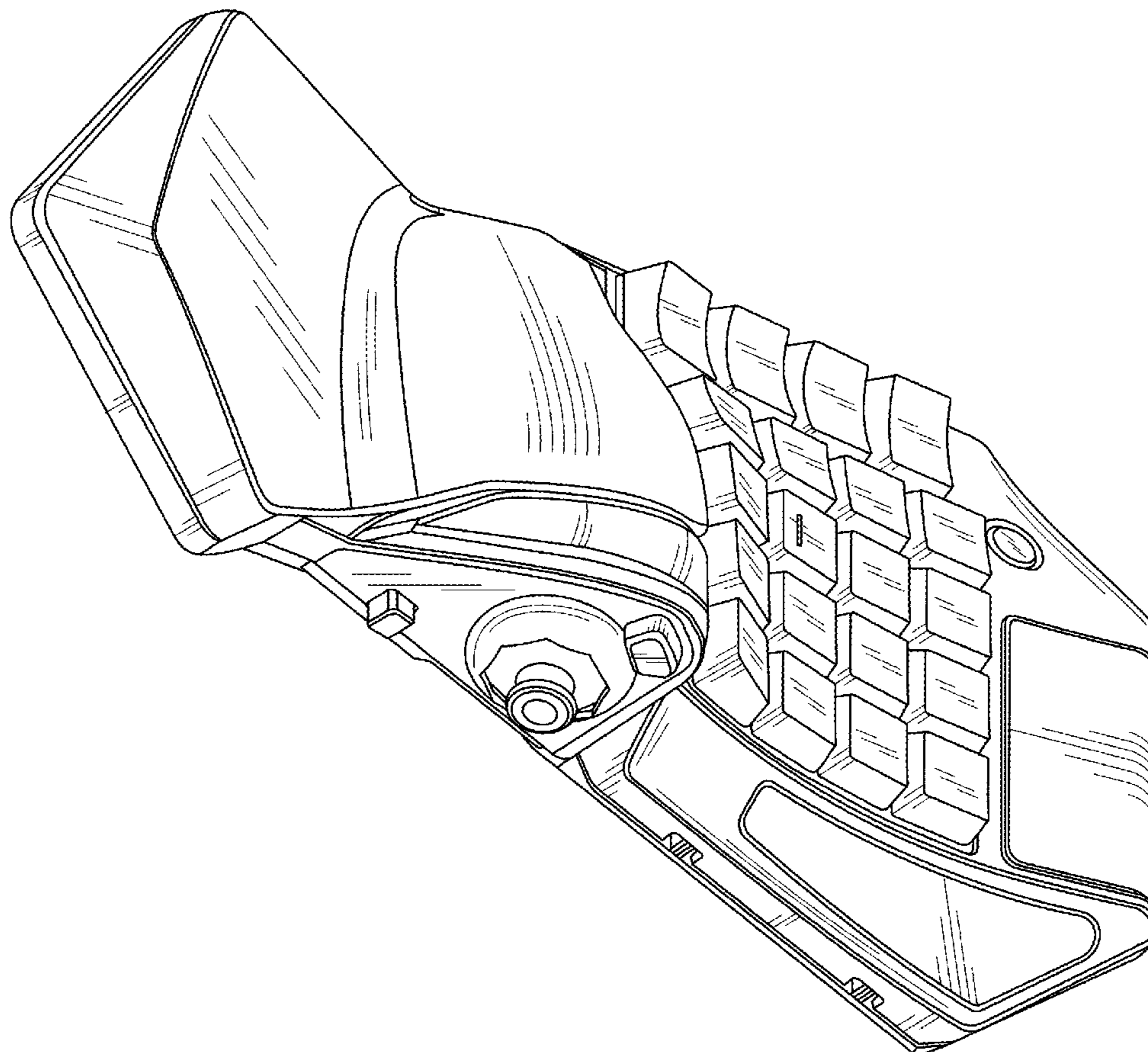
(57) **CLAIM**

I claim the ornamental design for the keypad, as shown and described.

DESCRIPTION

FIG. 1 is a top perspective view of the keypad;
FIG. 2 is a top view of FIG. 1;
FIG. 3 is a bottom view of FIG. 1;
FIG. 4 is a back view of FIG. 1;
FIG. 5 is a front view of FIG. 1;
FIG. 6 is a right side of FIG. 1; and,
FIG. 7 is a left side of FIG. 1.

1 Claim, 6 Drawing Sheets



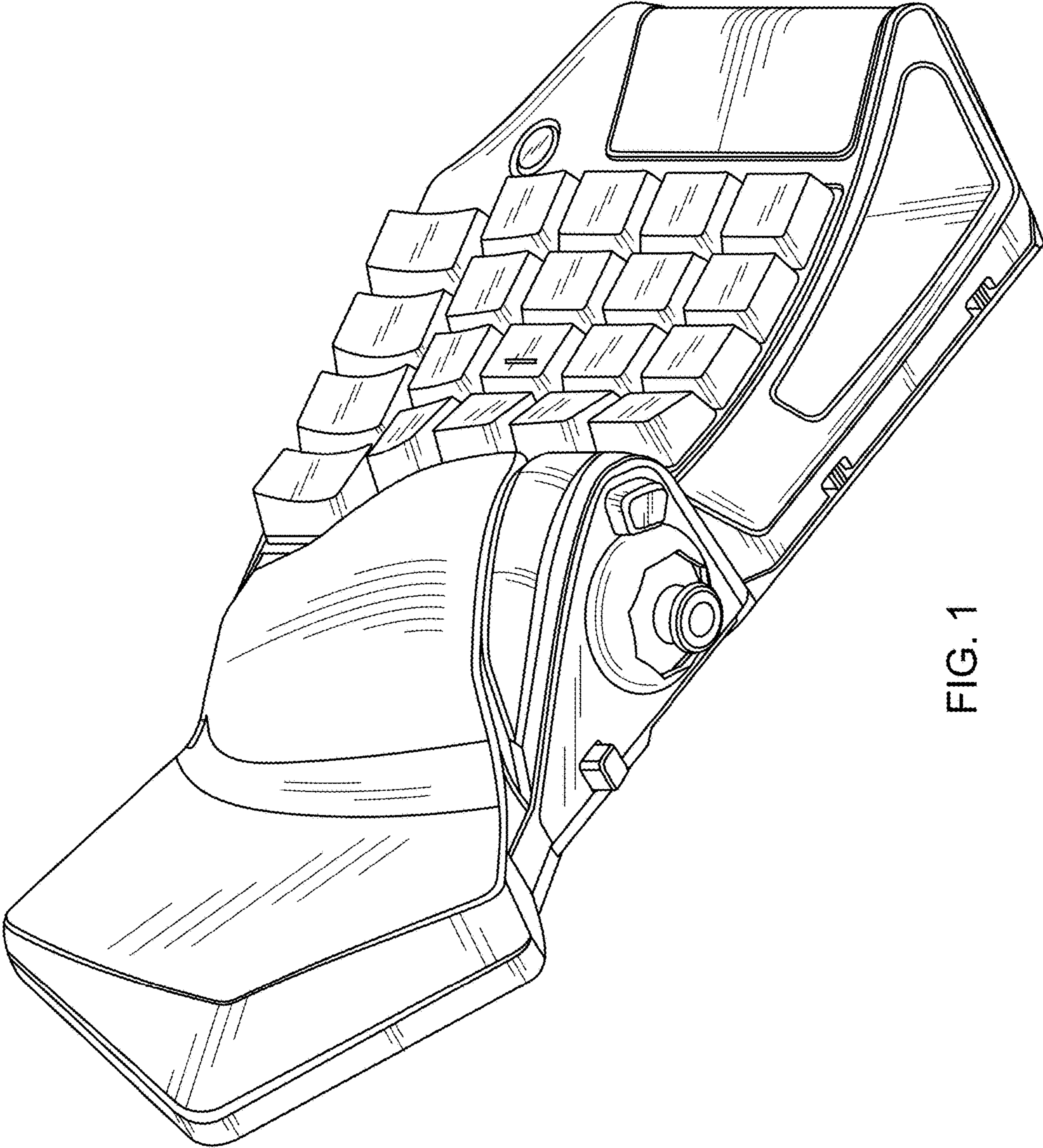


FIG. 1

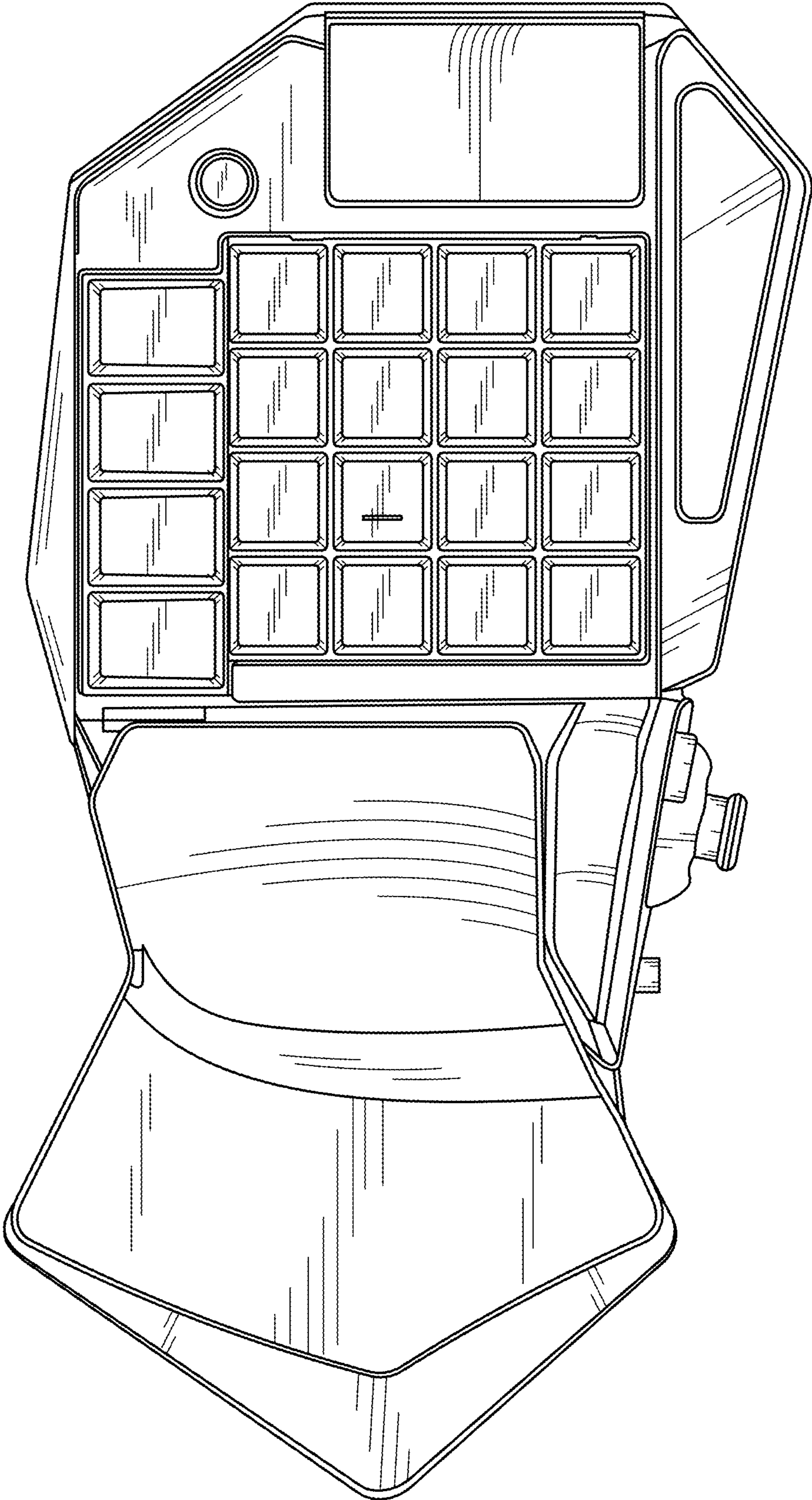


FIG. 2

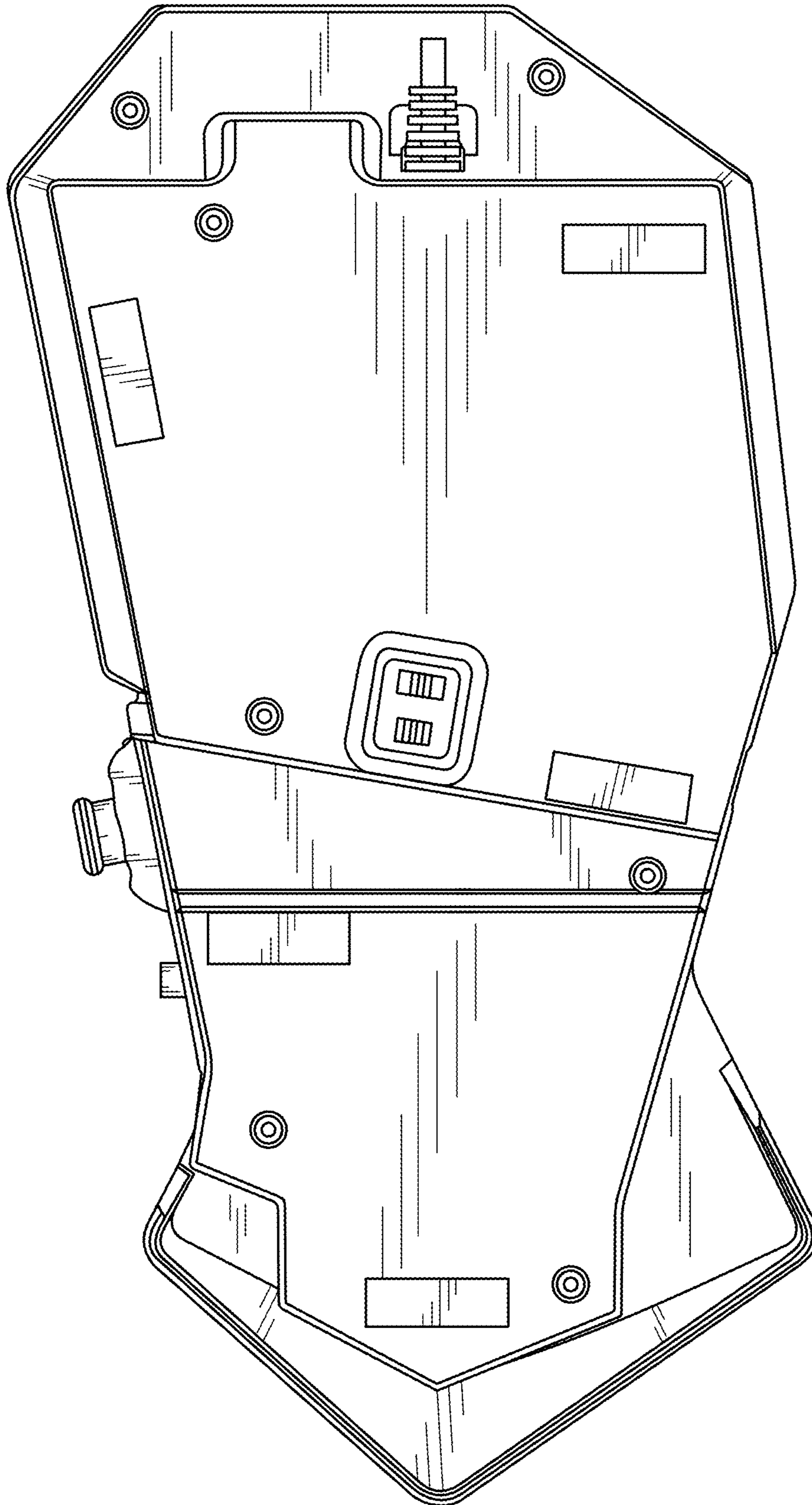


FIG. 3

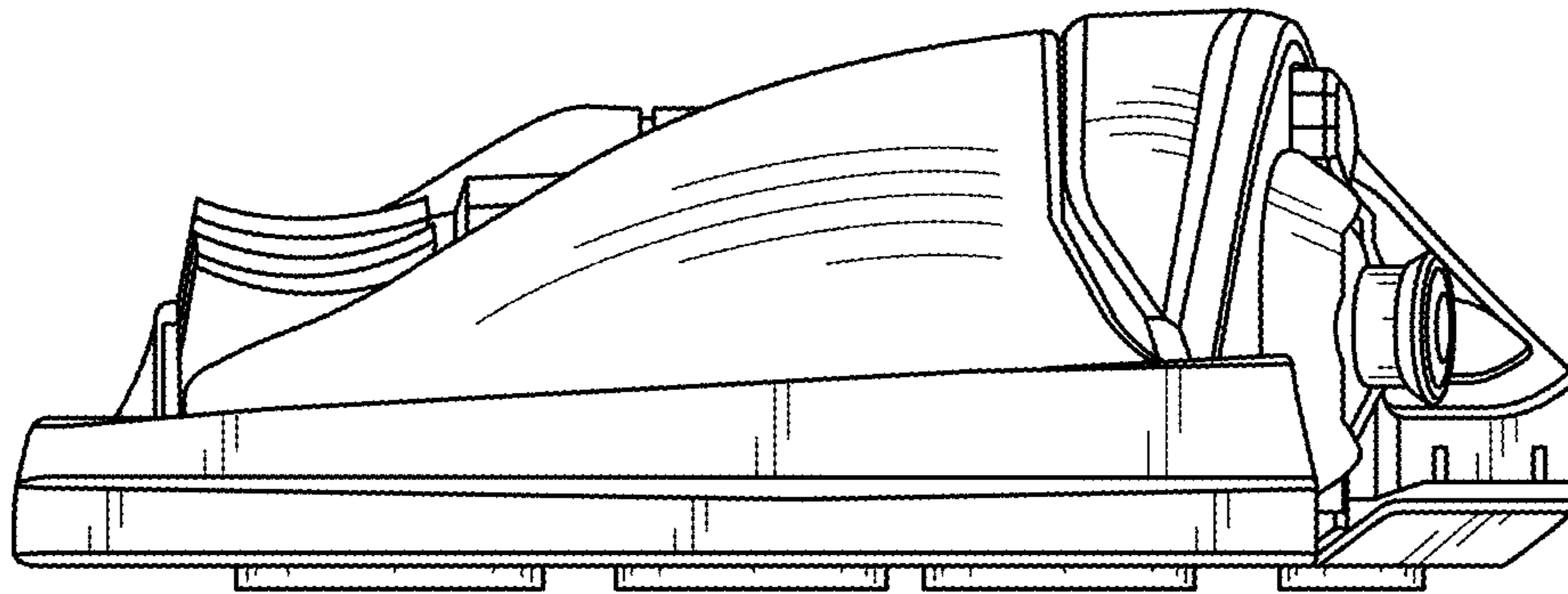


FIG. 4

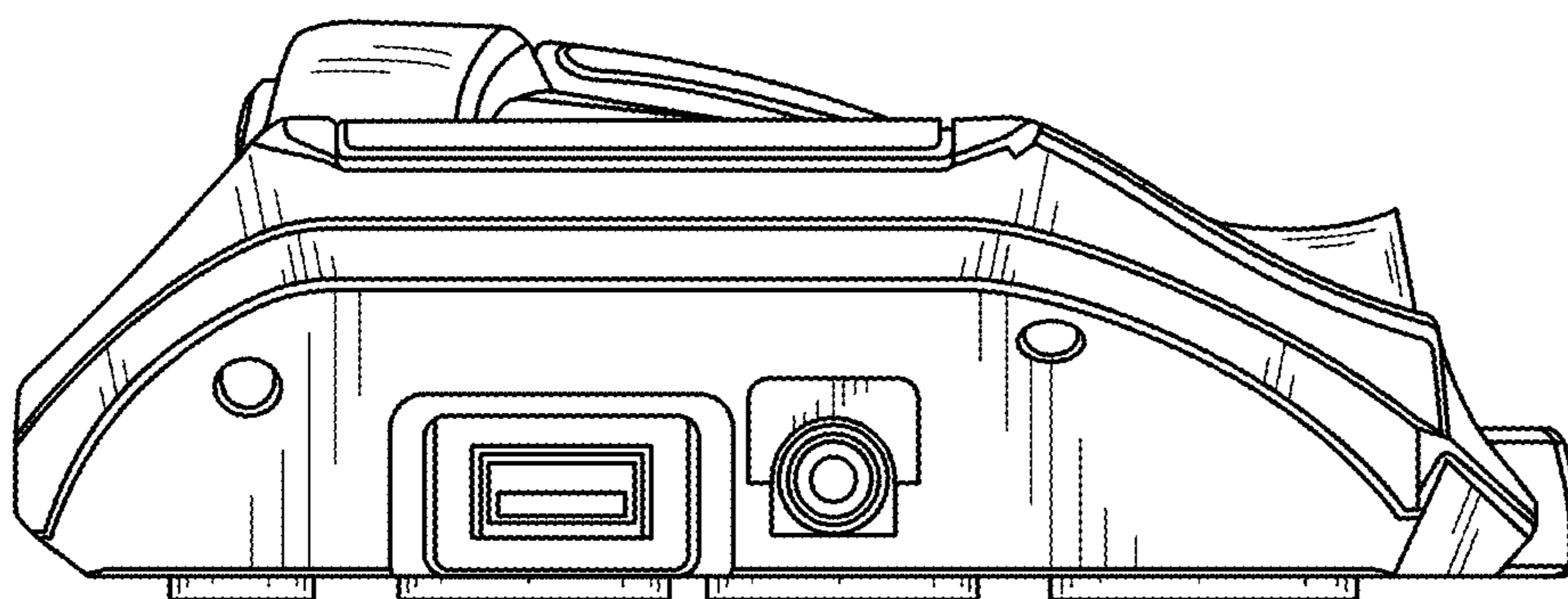


FIG. 5

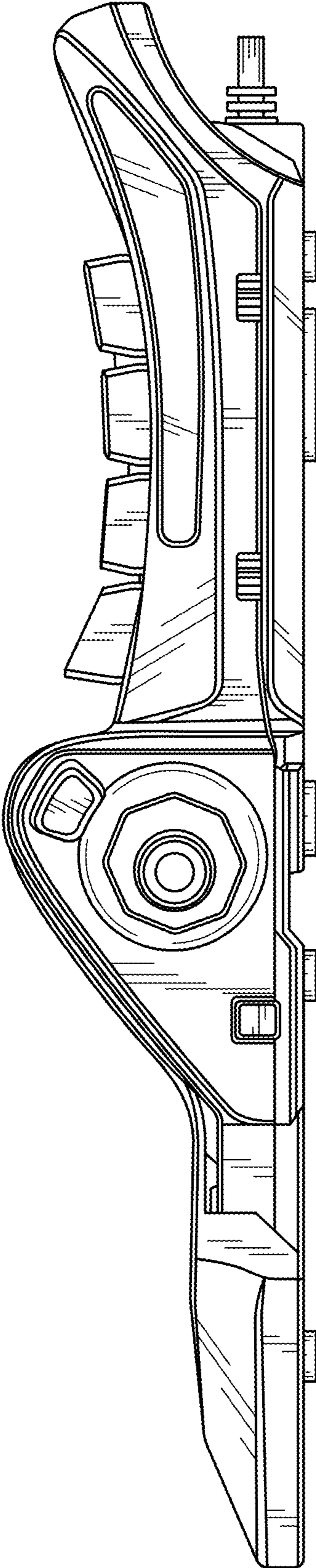


FIG. 6

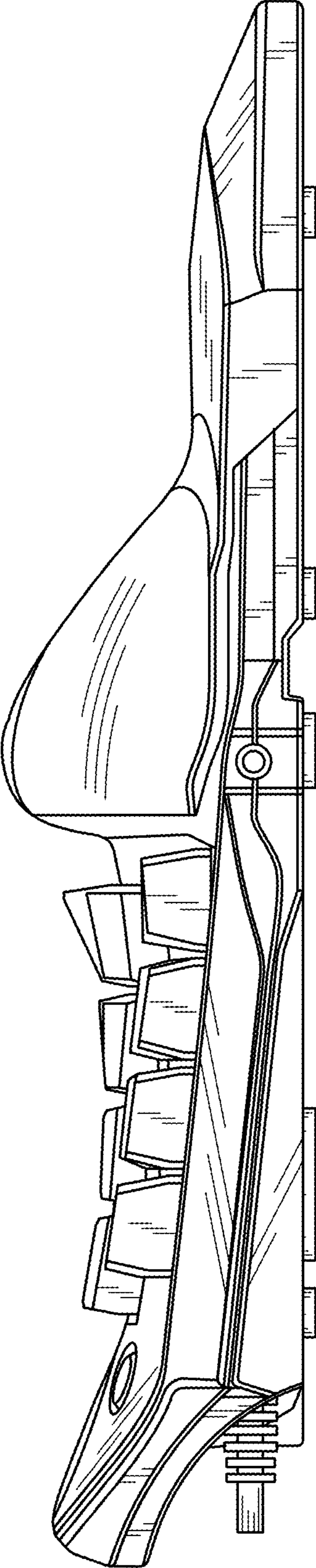


FIG. 7