



US00D803942S

(12) **United States Design Patent** (10) **Patent No.:** **US D803,942 S**
Ibbett (45) **Date of Patent:** **** Nov. 28, 2017**

(54) **VENDING KIOSK**
(71) Applicant: **Beaver Machine Corporation,**
Newmarket (CA)
(72) Inventor: **Jamie Ibbett,** Toronto (CA)
(73) Assignee: **BEAVER MACHINE**
CORPORATION, Newmarket (CA)
(**) Term: **15 Years**
(21) Appl. No.: **29/549,657**
(22) Filed: **Dec. 28, 2015**

Related U.S. Application Data

(62) Division of application No. 29/483,289, filed on Feb. 27, 2014, now Pat. No. Des. 749,674.

Foreign Application Priority Data

Sep. 3, 2013 (CA) 152786
(51) **LOC (10) Cl.** **20-01**
(52) **U.S. Cl.**
USPC **D20/1**
(58) **Field of Classification Search**
USPC D20/1-9; D99/28
CPC G07F 11/00; G07F 11/045; G07F 11/005;
G07F 11/007; G07F 11/04; G07F 11/10;
G07F 11/14; G07F 11/32; G07F 11/46;
G07F 11/62; G07F 9/026; G07F 9/10;
G07F 7/069; G07F 7/0609

See application file for complete search history.

(56) **References Cited**
U.S. PATENT DOCUMENTS
2,466,159 A * 4/1949 Dodson G07F 11/54
194/239
2,858,881 A * 11/1958 Newall A47C 27/144
264/DIG. 13
5,763,053 A * 6/1998 Amin B44F 1/06
428/105
D624,275 S * 9/2010 Min D99/28
D651,686 S * 1/2012 Wilson D23/207
D749,674 S * 2/2016 Ibbett D20/1

* cited by examiner

Primary Examiner — Mary Ann Calabrese
(74) *Attorney, Agent, or Firm* — Ralph E. Jocke; Walker & Jocke

(57) **CLAIM**

The ornamental design for a vending kiosk, as shown and described.

DESCRIPTION

FIG. 1 is a front, left side perspective view showing my new design for the vending kiosk.
FIG. 2 is a front view of thereof.
FIG. 3 is a left side view thereof, the right side thereof being a mirror image; and,
FIG. 4 is a top view thereof.
The broken lines indicate unclaimed portions and form no part of the claimed design. The bottom and rear surfaces do not form part of the claimed design.

1 Claim, 3 Drawing Sheets

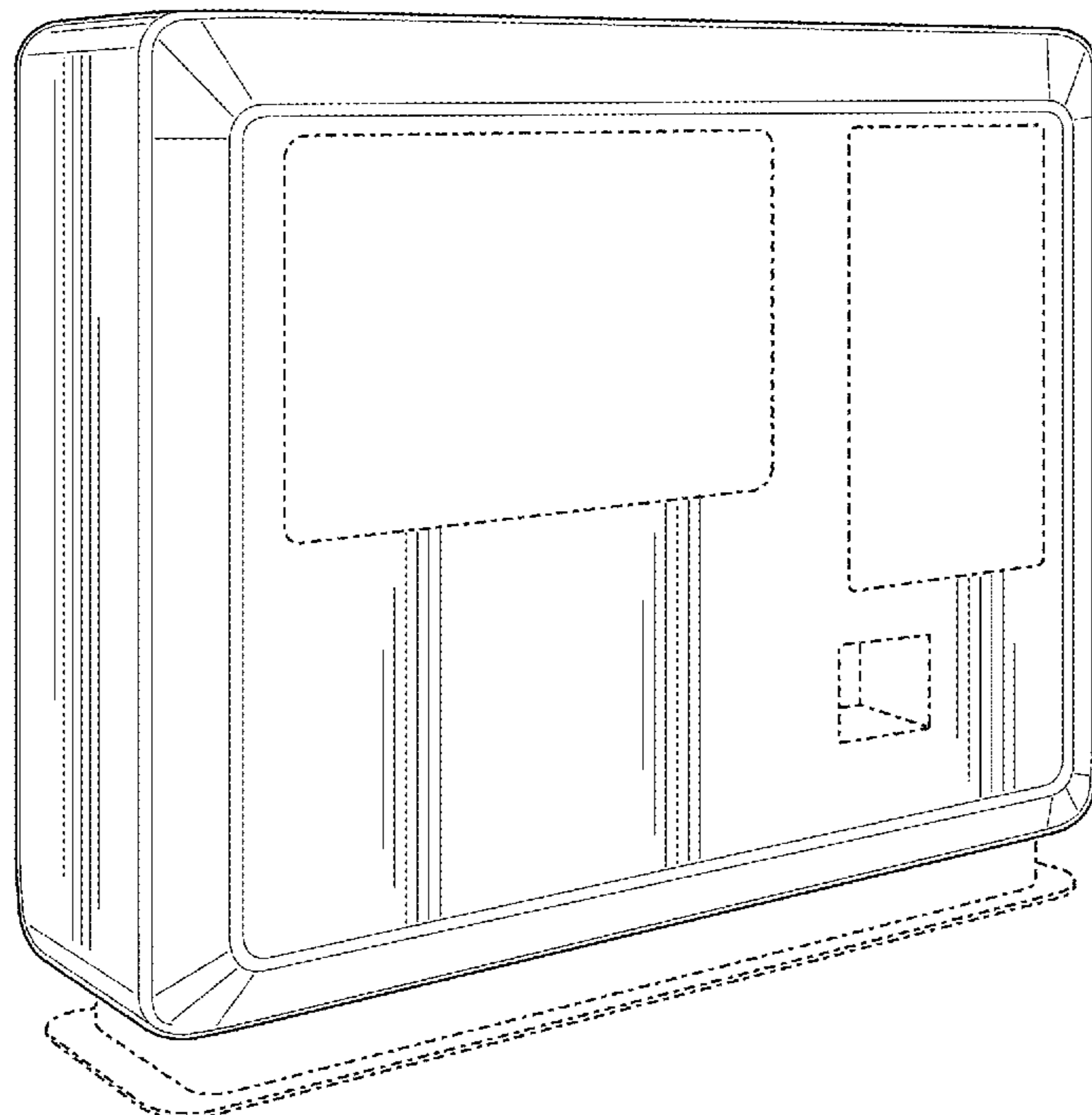


Fig. 1

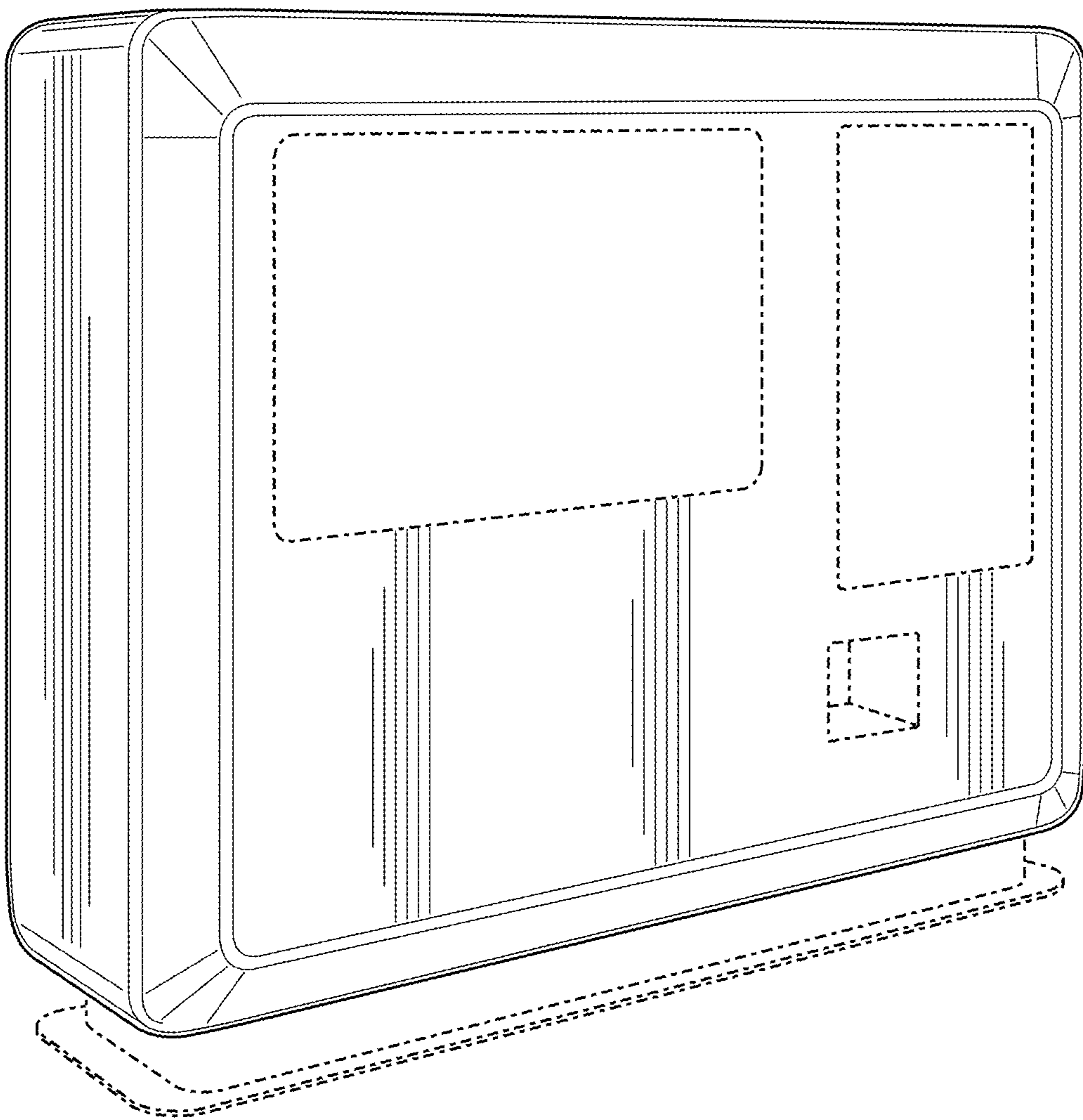


Fig. 2

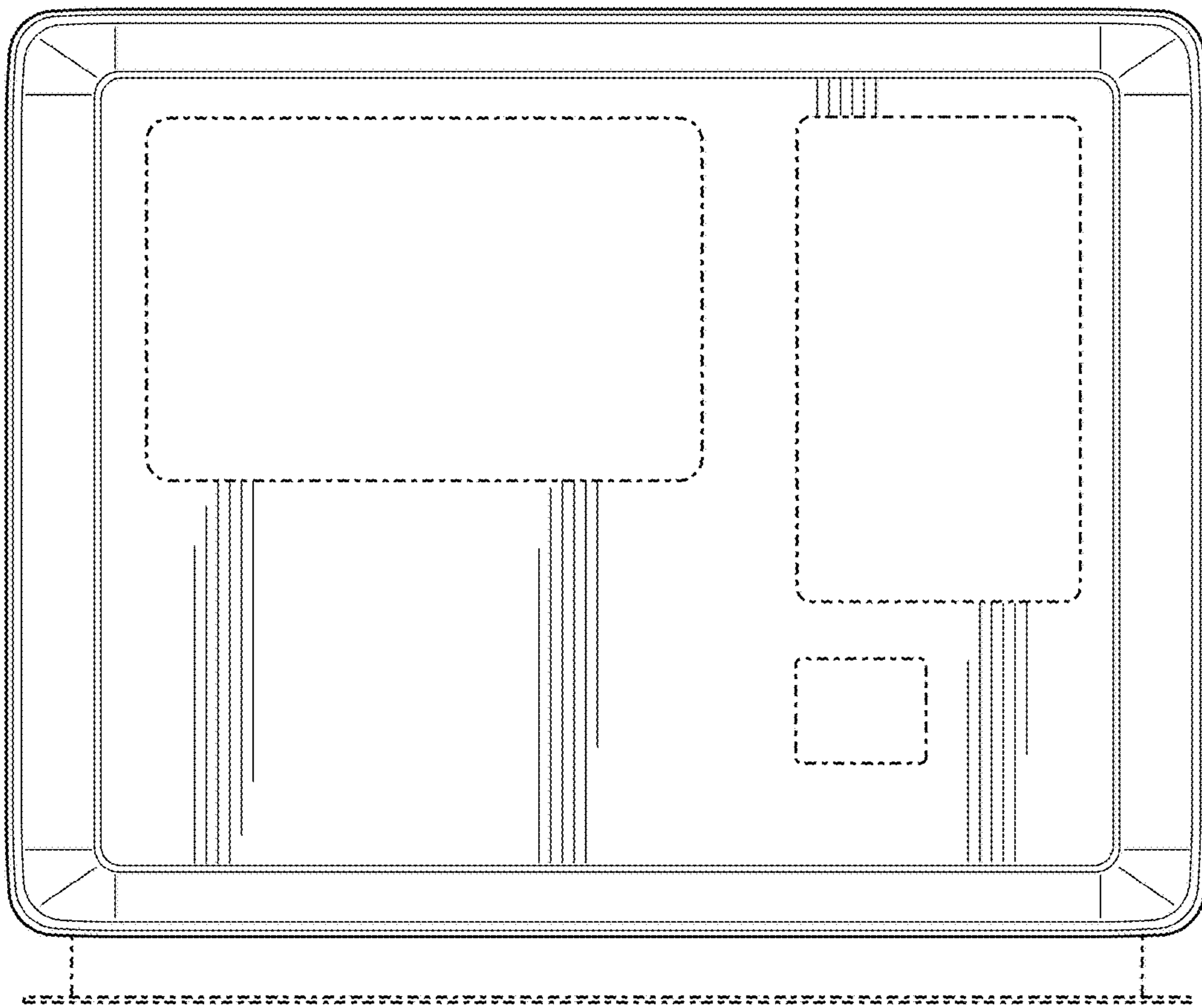


Fig. 3

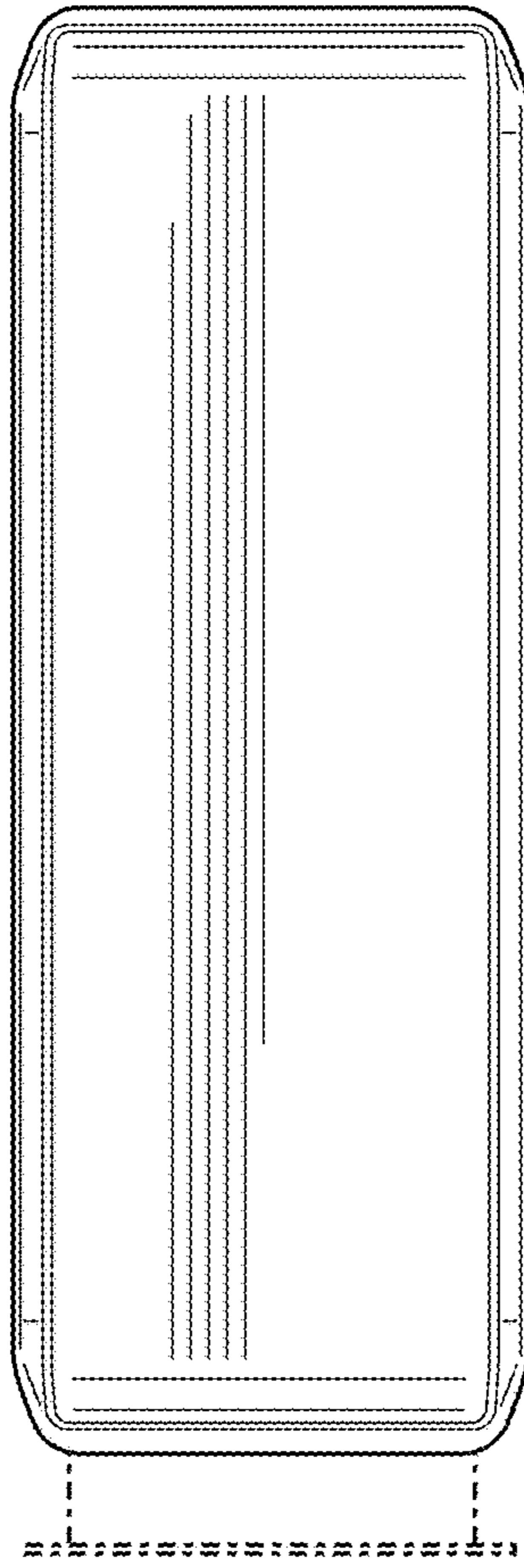


Fig. 4

