



US00D803938S

(12) **United States Design Patent**
Fyke et al.

(10) **Patent No.:** **US D803,938 S**

(45) **Date of Patent:** **** Nov. 28, 2017**

(54) **EDUCATIONAL PROJECTOR DEVICE**

(71) Applicants: **John Fyke**, Newport Beach, CA (US);
Marlis Fyke, Newport Beach, CA (US)

(72) Inventors: **John Fyke**, Newport Beach, CA (US);
Marlis Fyke, Newport Beach, CA (US)

(**) Term: **15 Years**

(21) Appl. No.: **29/528,274**

(22) Filed: **May 27, 2015**

(51) **LOC (10) Cl.** **19-07**

(52) **U.S. Cl.**
USPC **D19/59**; D16/221

(58) **Field of Classification Search**
USPC D19/59-64; D21/397; D9/502, 531,
D9/633, 733; 434/180; 446/219, 268;
353/79, 85, 98-100, 119, 120; 362/175,
362/404, 642; 220/685, 687, DIG. 1;
381/100, 103, 336; 217/72, 76, 88;
181/147, 153; 368/10; D11/149;
D14/216; D15/80; D34/139; D23/243
CPC A63H 3/003; F21S 8/035; F21V 21/32;
F21V 33/0096; G02B 27/22; G03B
21/001; G03B 21/006; G03B 21/145;
G03B 21/14; G03B 21/147; G03B
21/2033; G03B 21/28; G03B 21/10;
G03B 21/64; G04G 11/00; G09B 17/003;
G09B 19/00; G09B 19/025; G09B 5/02
See application file for complete search history.

(56) **References Cited**

U.S. PATENT DOCUMENTS

3,583,797 A 6/1971 Schoenfield
D226,424 S * 3/1973 Cooper D9/633
3,818,138 A * 6/1974 Sperrazza, Jr. H04R 1/323
381/336
D238,550 S * 1/1976 Edwards D9/633

D254,293 S * 2/1980 Fortuna D9/633
5,311,226 A 5/1994 Karasawa
5,517,264 A 5/1996 Sutton
D372,564 S * 8/1996 Casey D34/39
5,545,072 A * 8/1996 Arad A63H 3/003
446/219
6,302,556 B1 * 10/2001 Filip F21V 33/0096
362/404
D483,202 S * 12/2003 Slemmons D21/397
D484,871 S * 1/2004 Solland D14/216
D492,617 S * 7/2004 Axworthy D11/149
7,267,444 B2 * 9/2007 Black, Jr. G03B 21/001
353/79
7,438,446 B1 10/2008 McCann
RE41,050 E * 12/2009 Panasewicz F21V 21/0824
353/119

(Continued)

Primary Examiner — Ian Simmons

Assistant Examiner — Mark A Cavanna

(74) *Attorney, Agent, or Firm* — Eric Karich; Karich & Associates

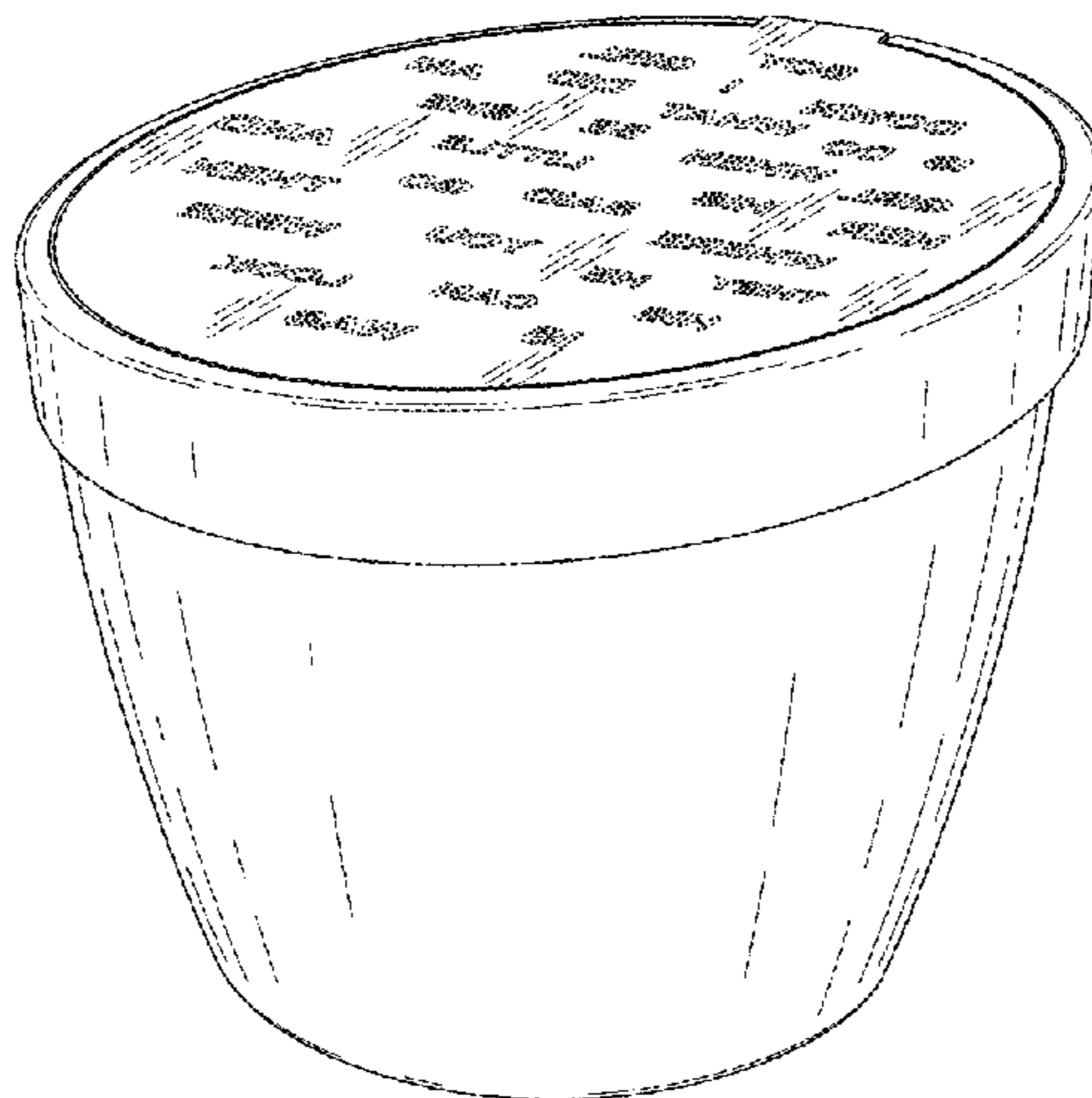
(57) **CLAIM**

The ornamental design for an “educational projector device,” as shown and described.

DESCRIPTION

FIG. 1 is a perspective view of a educational projector device, showing my new design;
FIG. 2 is a front elevational view thereof;
FIG. 3 is a rear elevational view thereof;
FIG. 4 is a left side elevational view thereof
FIG. 5 is a right side elevational view thereof;
FIG. 6 is a top plan view thereof; and,
FIG. 7 is a bottom plan view thereof.
The broken line showing of sight words formed in a cap of the device, and a battery compartment in a bottom of the device, are included for the purpose of illustrating environmental structure and forms no part of the claimed design.

1 Claim, 2 Drawing Sheets



(56)

References Cited

U.S. PATENT DOCUMENTS

D627,182	S *	11/2010	Wirth	D9/633
7,871,192	B2	1/2011	Chien		
D640,033	S *	6/2011	Magrenan	D34/39
D649,316	S *	11/2011	Emond	D34/1
8,104,903	B2 *	1/2012	Feliciano	G02B 27/22 353/119
8,128,274	B2	3/2012	Chien		
8,284,631	B2 *	10/2012	Cho	G04G 11/00 368/10
D684,891	S *	6/2013	Team	D11/149
8,684,557	B2 *	4/2014	Totani	F21V 14/003 362/175
8,702,245	B2 *	4/2014	Chien	G02B 27/22 353/85
8,879,782	B2 *	11/2014	Garlington	G03B 21/10 353/99
D721,281	S *	1/2015	Vella	D9/633
9,157,589	B2 *	10/2015	Chien	F21S 8/035
D765,232	S *	8/2016	Horsfield	D23/343
D781,931	S *	3/2017	Sherman	D15/80
9,750,294	B2 *	9/2017	Sum	A41G 1/003
2004/0119951	A1 *	6/2004	Vitantonio	G03B 21/28 353/119
2008/0174737	A1	7/2008	Zebersky		
2009/0221211	A1	9/2009	Ngo et al.		
2010/0240277	A1	9/2010	Rapp		
2013/0280985	A1	10/2013	Klein		
2014/0268882	A1 *	9/2014	Hoang	F21V 21/32 362/642

* cited by examiner

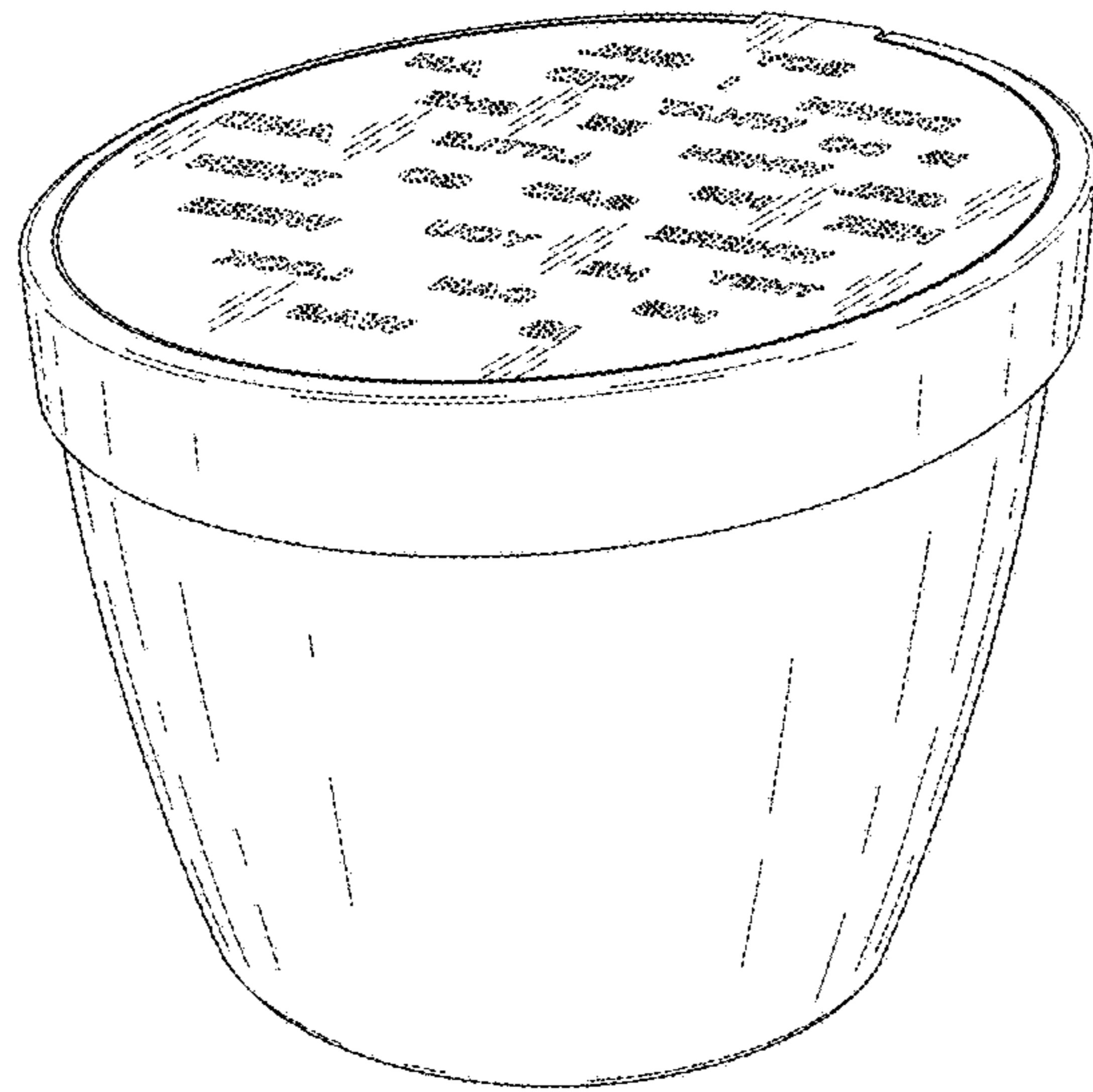


Fig. 1

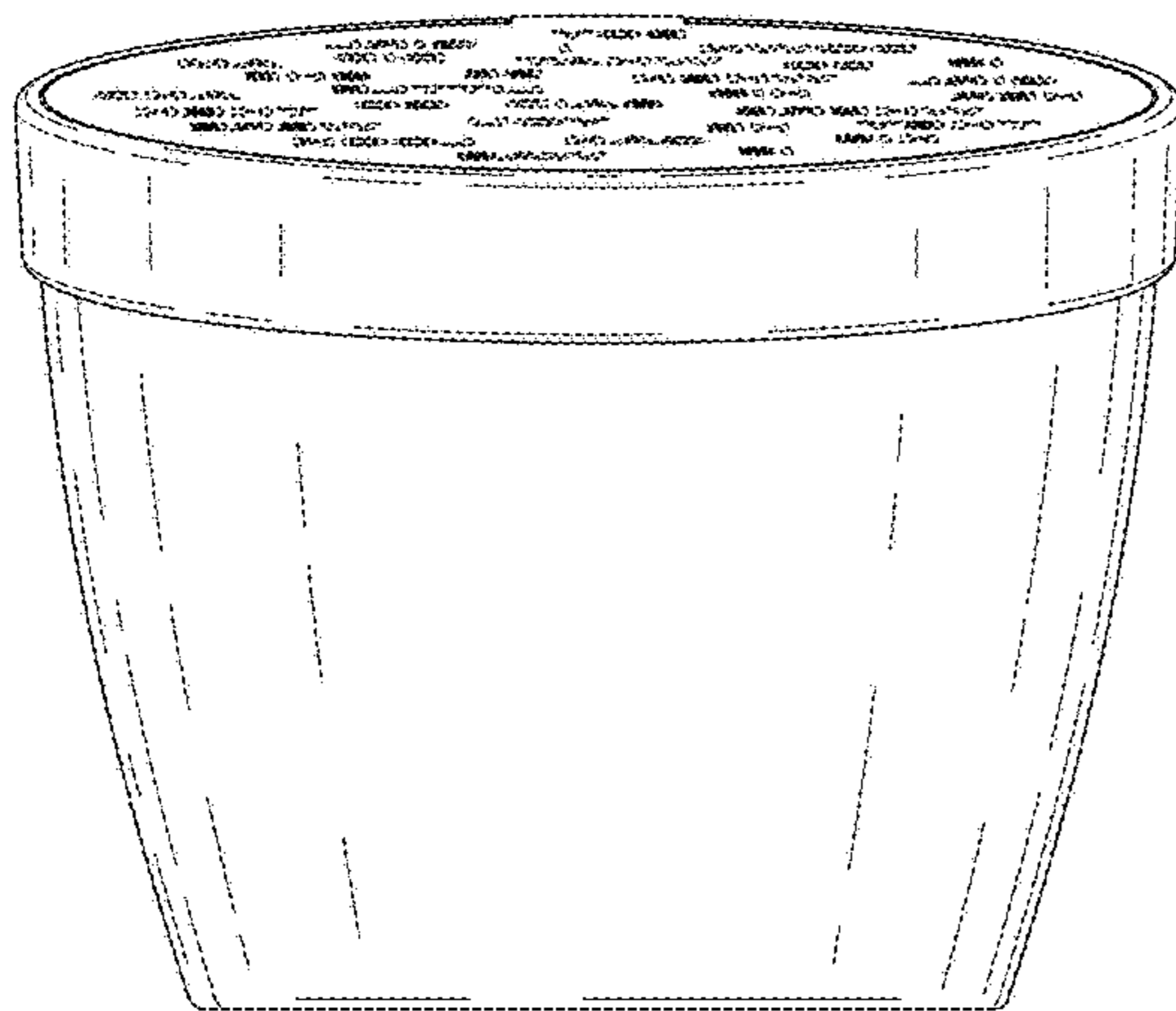


Fig. 2

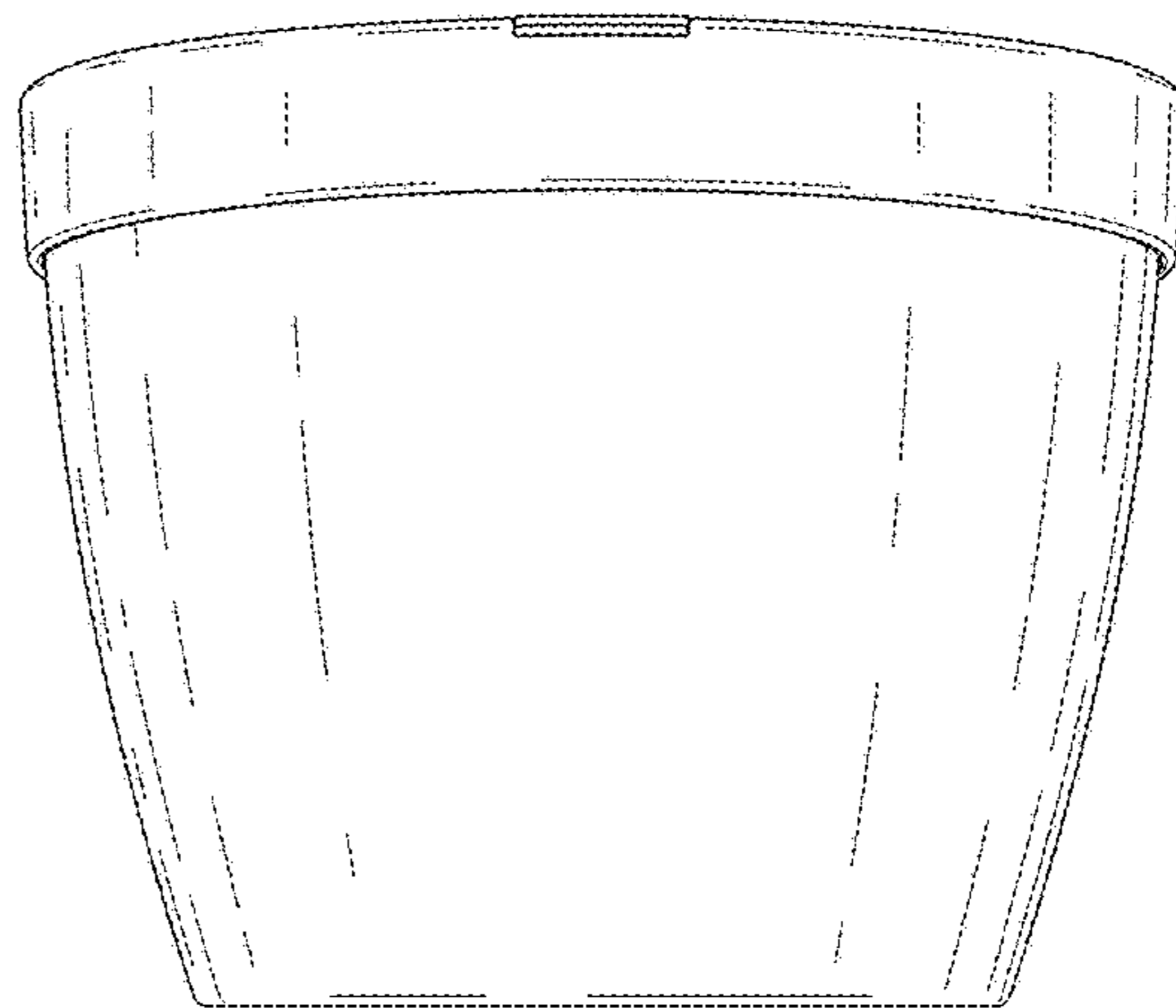


Fig. 3

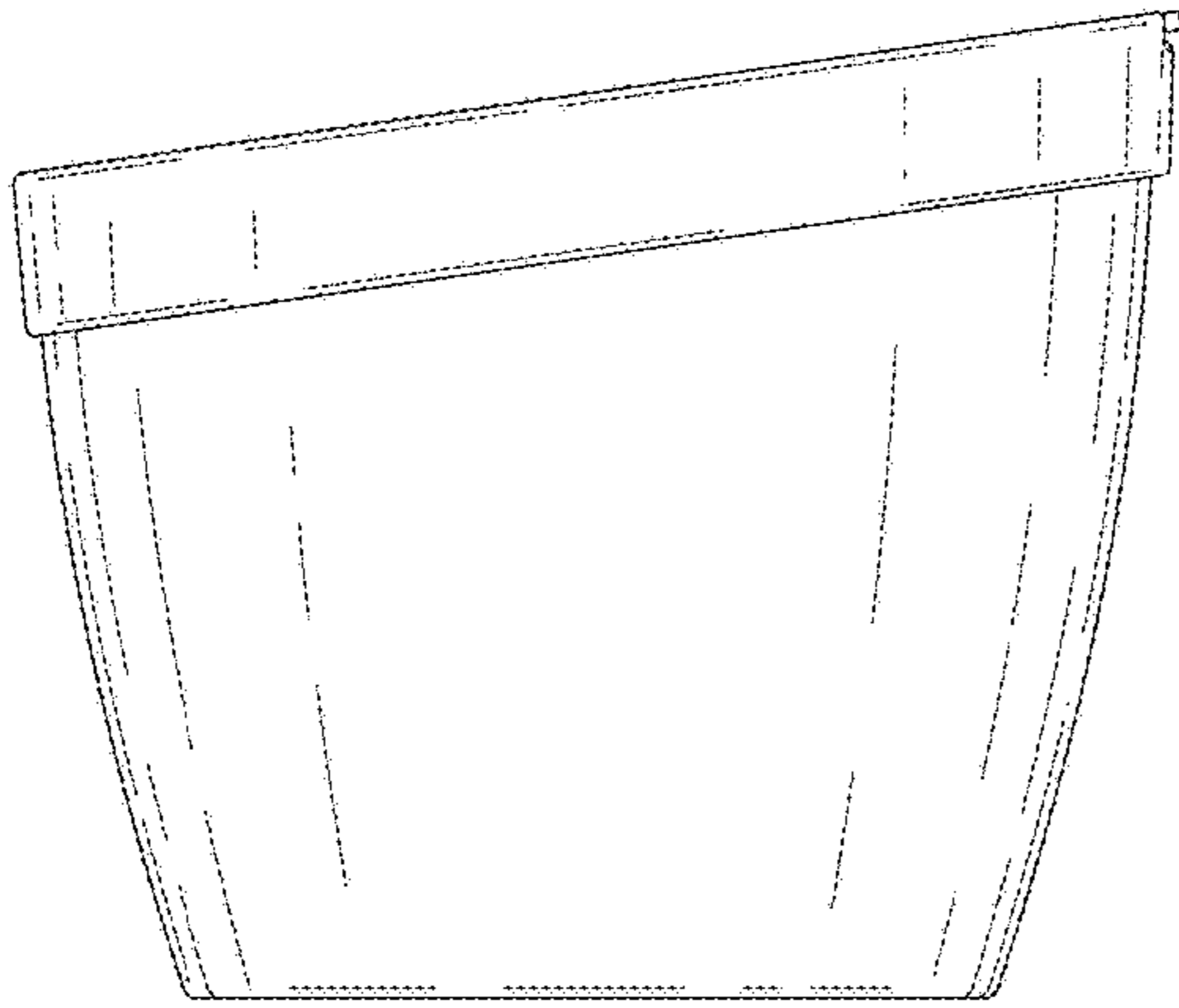


Fig. 4

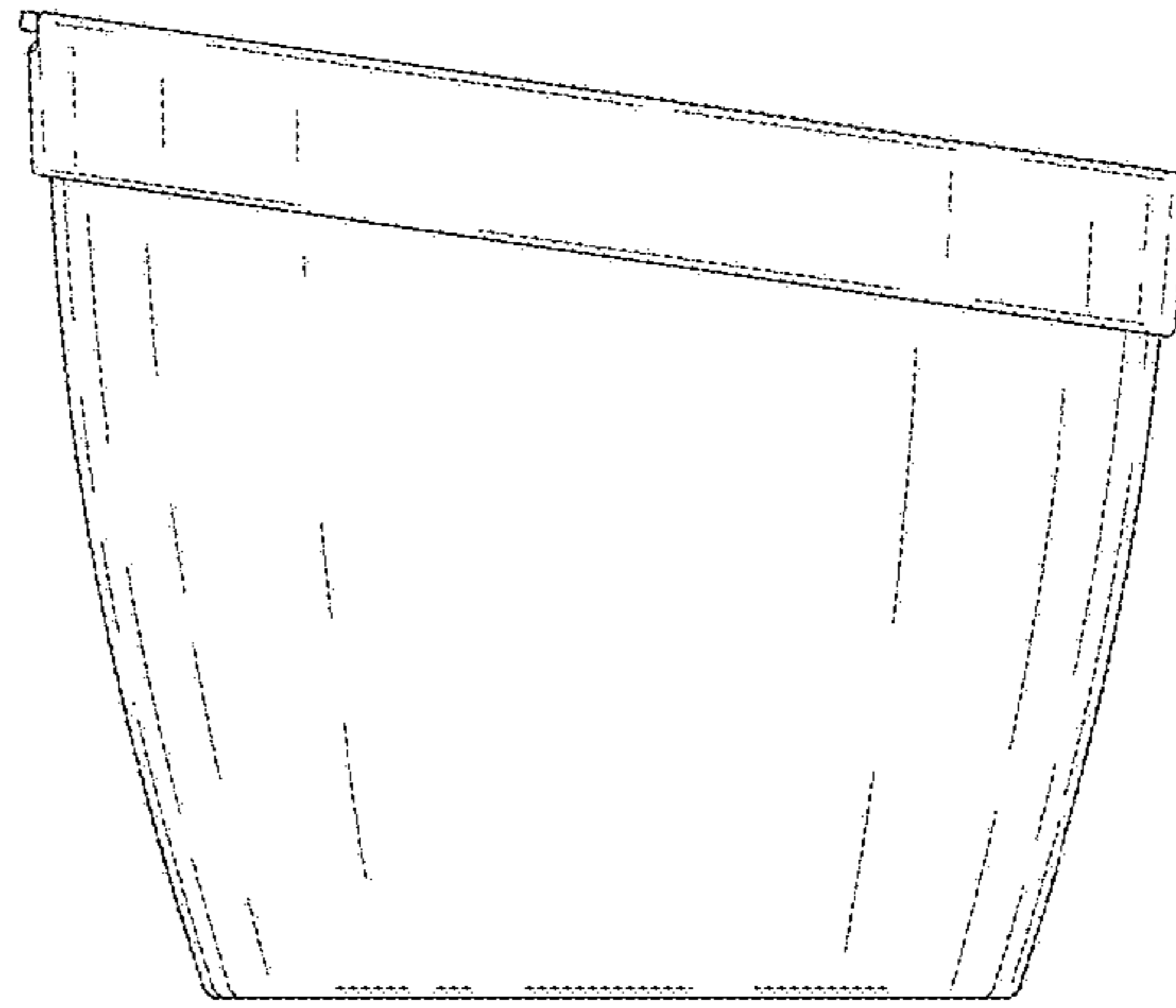


Fig. 5

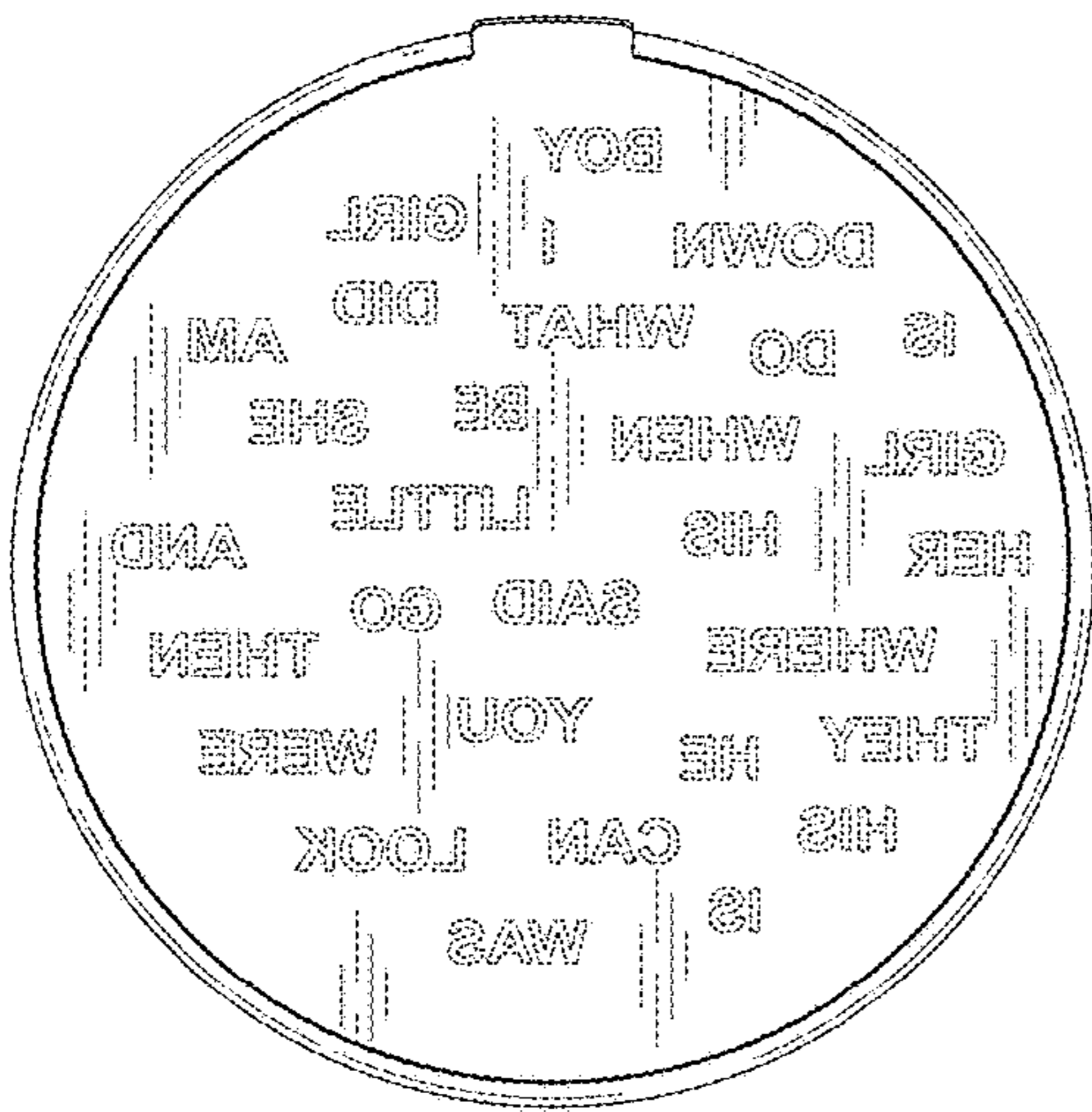


Fig. 6

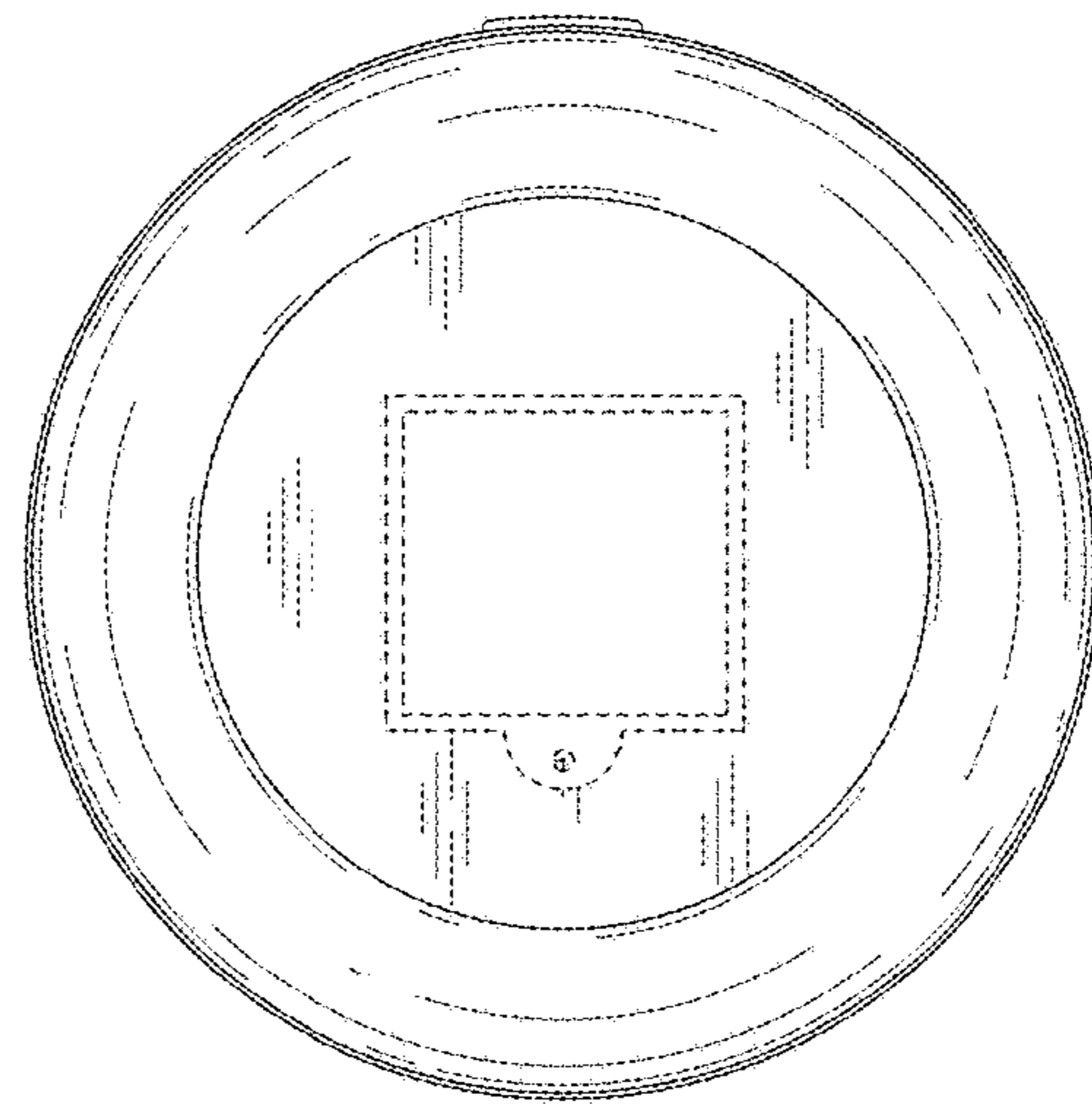


Fig. 7