



US00D803937S

(12) **United States Design Patent** (10) **Patent No.:** **US D803,937 S**
Petrie et al. (45) **Date of Patent:** **** Nov. 28, 2017**

(54) **BINDER SPINE WITH OPENING**
(71) Applicant: **Staples The Office Superstore, LLC**, Framingham, MA (US)
(72) Inventors: **Aidan Petrie**, Jamestown, RI (US); **Daniel Nelsen**, Central Falls, RI (US); **Kenneth Zins**, Fitchburg, MA (US)
(73) Assignee: **STAPLES THE OFFICE SUPERSTORE, LLC**, Farmingham, MA (US)
(**) Term: **14 Years**
(21) Appl. No.: **29/446,844**
(22) Filed: **Feb. 27, 2013**
(51) **LOC (10) Cl.** **09-04**
(52) **U.S. Cl.**
USPC **D19/32**
(58) **Field of Classification Search**
USPC D19/26, 27, 28, 32, 100, 202; 281/3.1, 4, 281/15.1, 21.1, 27.1, 28, 40, 42, 44, 45, 281/51; 402/1, 3, 5, 13, 19, 26, 61, 64, 402/68, 70, 73, 80 R; 462/71, 72, 75, 76, 462/84
CPC B42F 13/00; B42F 13/0006; B42F 3/00
See application file for complete search history.

D776,194 S * 1/2017 Petrie D19/27
2012/0093569 A1* 4/2012 Zhu et al. 402/3
2014/0183851 A1* 7/2014 Busam et al. 281/21.1

FOREIGN PATENT DOCUMENTS

CH	431453	A	*	3/1967	B42F 13/0006
DE	840387	C	*	11/1952	B42F 13/0006
DE	1436175	A1	*	3/1969	B42F 13/0006
DE	4400882	C2	*	4/1996	B42F 13/0006
DE	29620499	U1	*	3/1997	B42D 3/045
DE	10155158	B4	*	3/2006	B42F 13/0006
DE	102004045763	A1	*	4/2006	B42F 13/0006
DE	202010013437	U1	*	2/2011	B42F 7/145
DE	102013011498	A1	*	1/2015	B42F 7/04
EP	0847875	B1	*	4/2002	B42F 13/0006
FR	2754764	B1	*	5/1999	B42F 13/0006
FR	2886579	A1	*	12/2006	B42F 13/0006

* cited by examiner

Primary Examiner — Ian Simmons
Assistant Examiner — Ieisha Price
(74) *Attorney, Agent, or Firm* — Sheridan Ross P.C.

(57) **CLAIM**

The ornamental design for the binder spine with opening, as shown and described.

DESCRIPTION

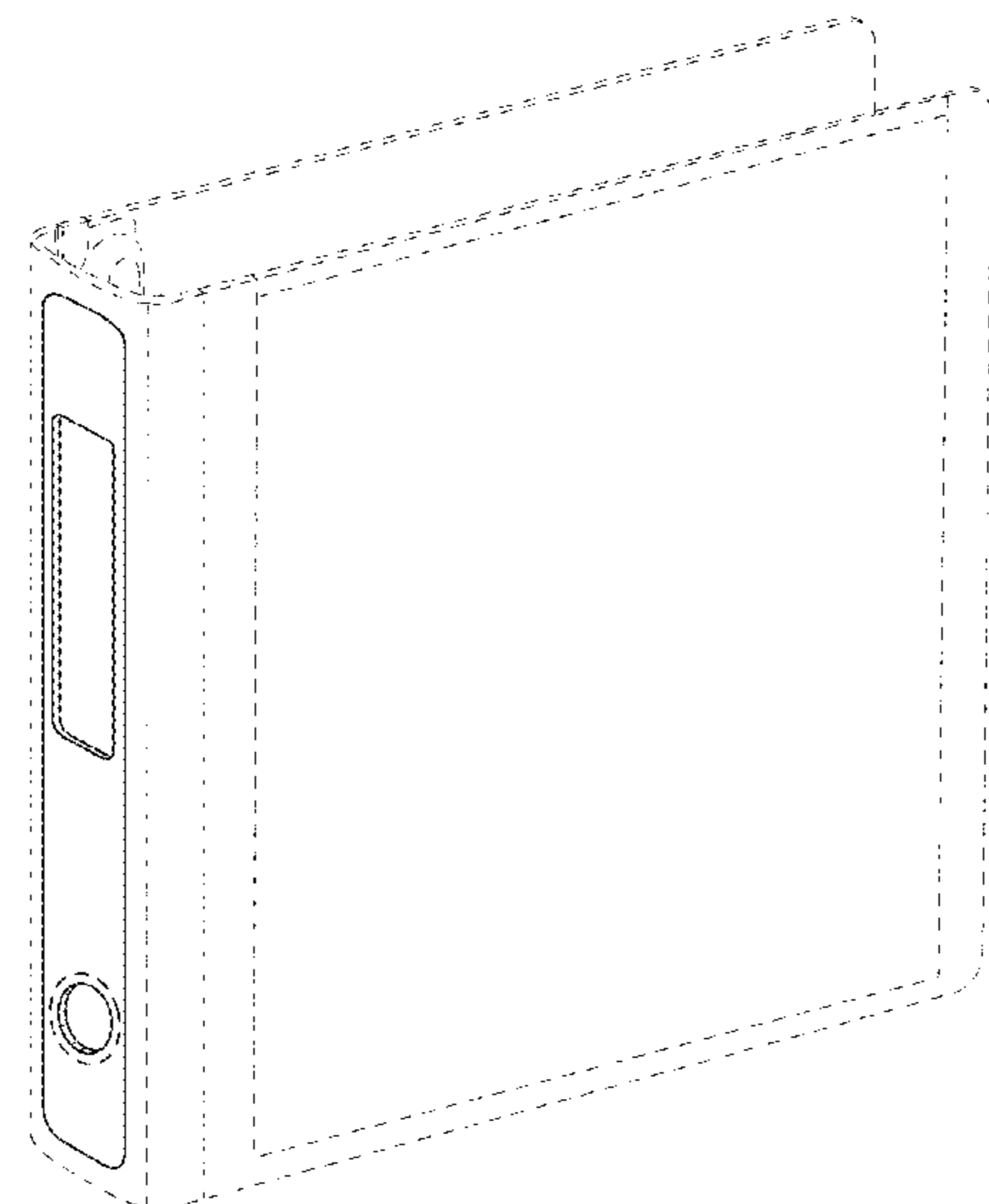
FIG. 1 is a side, top, perspective view of the binder spine with opening with elements thereof shown in phantom; FIG. 2 is a left side view thereof; FIG. 3 is a right side view thereof; FIG. 4 is a rear view thereof; FIG. 5 is a front view thereof; FIG. 6 is a top view thereof; FIG. 7 is a bottom view thereof; and, FIG. 8 is a front view of the binder spine with opening with the binder in an open position. The broken lines in the drawings illustrate portions of the binder spine with opening which form no part of the claimed design.

1 Claim, 6 Drawing Sheets

(56) **References Cited**

U.S. PATENT DOCUMENTS

4,854,763	A	*	8/1989	Jonsson	402/32
5,213,433	A	*	5/1993	An	402/14
5,575,504	A	*	11/1996	Wagner	281/29
5,908,258	A	*	6/1999	Boccacci	402/70
5,971,650	A	*	10/1999	Dottel	402/73
D458,634	S	*	6/2002	Gerriet	D19/27
6,536,980	B2	*	3/2003	To	402/26
7,628,426	B1	*	12/2009	Rowe et al.	281/29
D666,242	S	*	8/2012	Kent et al.	D19/27



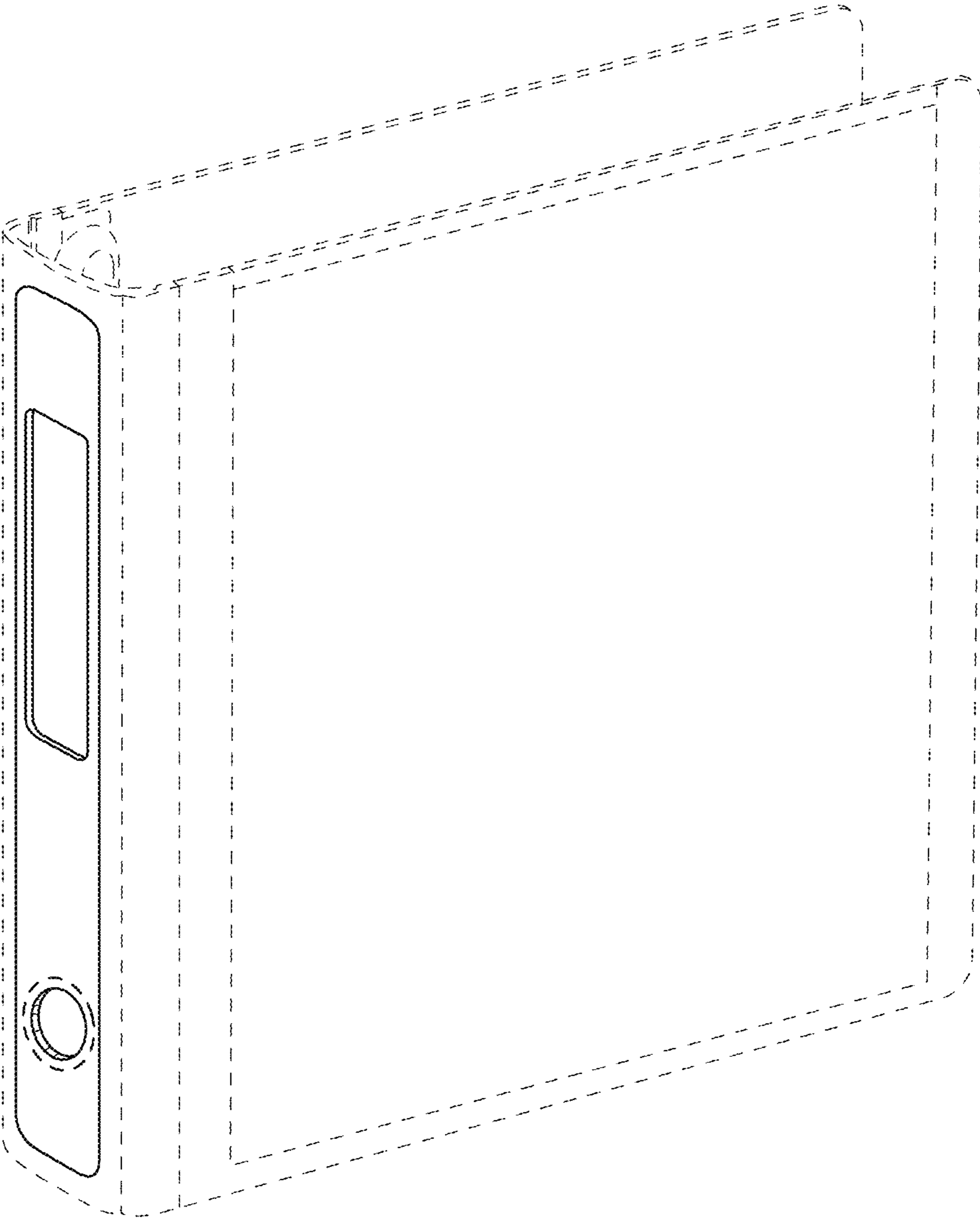


FIG.1

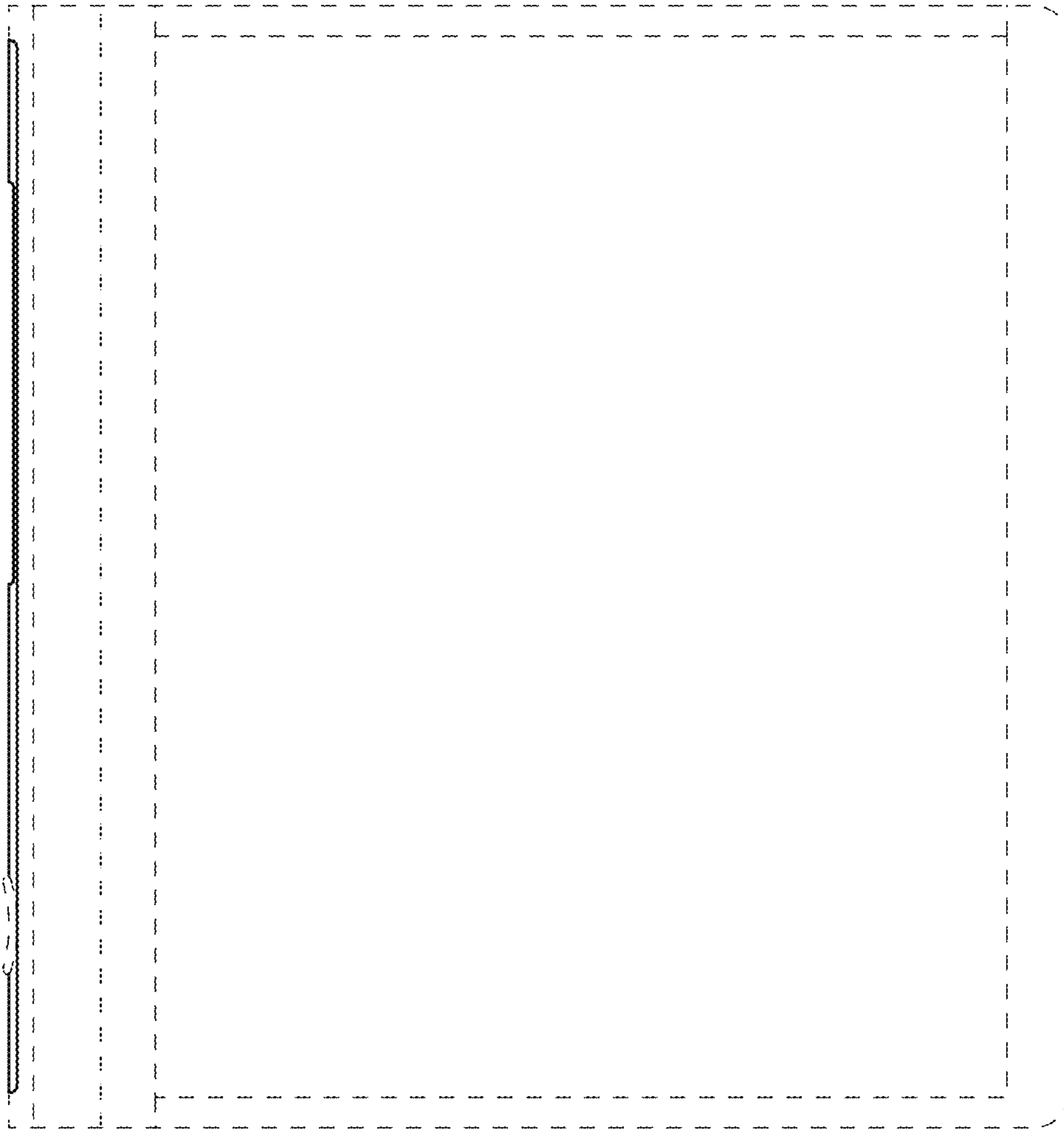


FIG.2

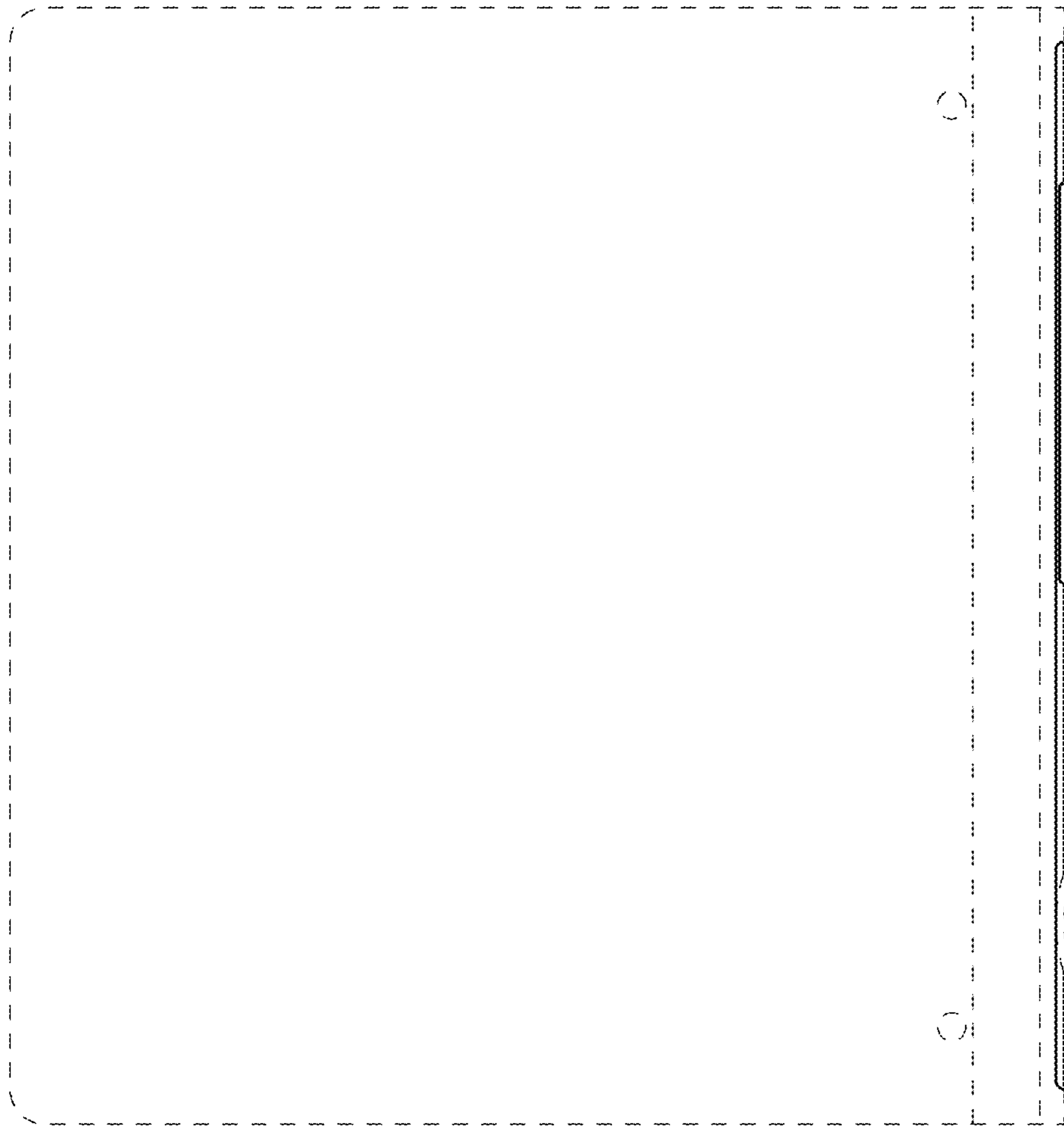


FIG.3

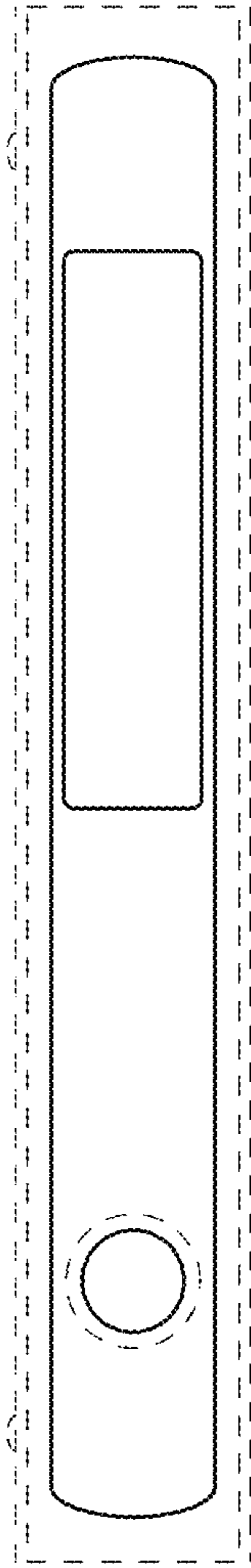


FIG.4

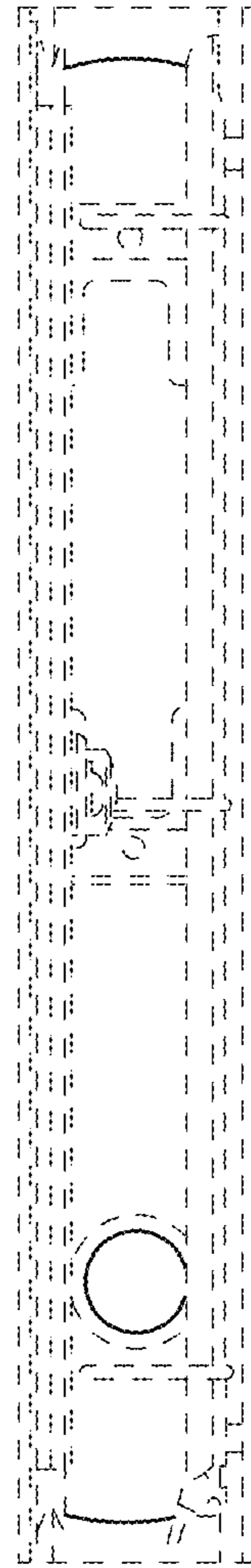


FIG.5

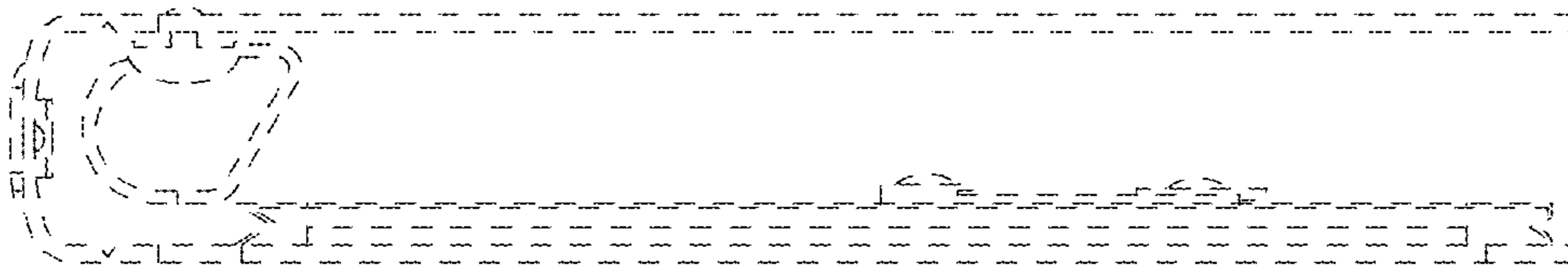


FIG. 6



FIG. 7

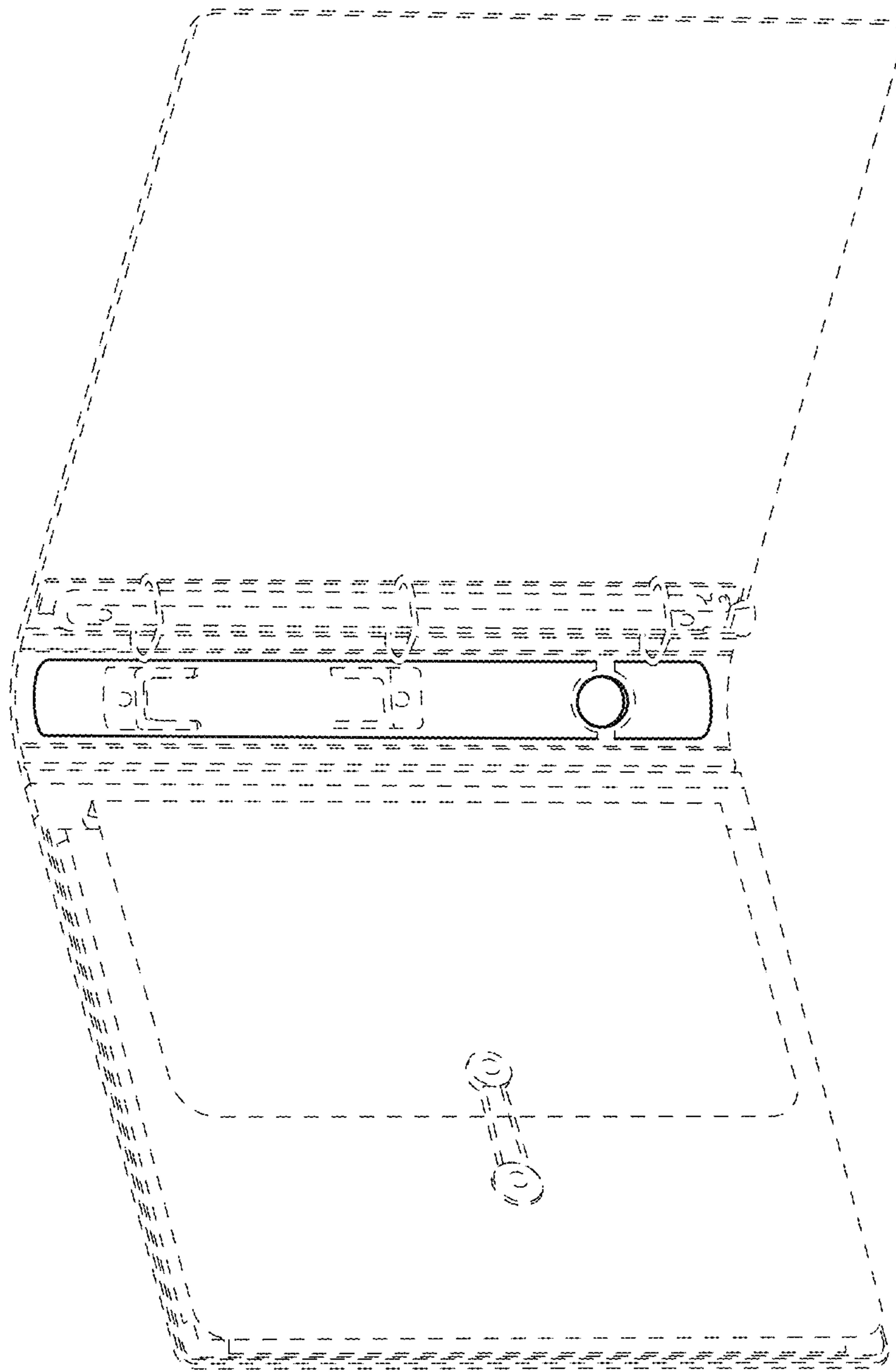


FIG.8