



US00D803932S

(12) **United States Design Patent**
Martin et al.

(10) **Patent No.:** **US D803,932 S**

(45) **Date of Patent:** **** Nov. 28, 2017**

(54) **EXTENDABLE SELFIE STICK FOR PORTABLE CAMERA**

(71) Applicant: **OCLU, LLC**, Tempe, AZ (US)

(72) Inventors: **Hugo Martin**, Oxfordshire (GB);
Robert William Moore, Theale (GB);
Firas Kittaneh, Tempe, AZ (US)

(73) Assignee: **OCLU LIMITED**, East Grinstead (GB)

(**) Term: **15 Years**

(21) Appl. No.: **29/551,169**

(22) Filed: **Jan. 11, 2016**

(51) **LOC (10) Cl.** **16-05**

(52) **U.S. Cl.**
USPC **D16/243**

(58) **Field of Classification Search**
USPC D16/200, 208, 213–219, 235, 237,
D16/238–250; D14/209, 217, 224, 251;
D8/307, 310, 349, 367; D26/61
(Continued)

(56) **References Cited**

U.S. PATENT DOCUMENTS

4,091,402 A * 5/1978 Siegel G03B 15/041
362/3
4,208,028 A * 6/1980 Brown F16M 13/04
224/185

(Continued)

OTHER PUBLICATIONS

Selfie Stick. [online] Published date Dec. 15, 2016. Retrieved on Apr. 6, 2017 from <URL: https://www.amazon.co.uk/OMorc-Extendable-Smartphone-Adjustable-Panasonic/dp/B01LX1760L/ref=pd_sim_107_5?_encoding=UTF8&psc=1&refRID=9970YMNKN4SRTSDD7F8Y>.*

Primary Examiner — Vy N Koenig
Assistant Examiner — Omeed Agilee

(74) *Attorney, Agent, or Firm* — Weiss & Moy, P.C.;
Jeffrey D. Moy

(57) **CLAIM**

The ornamental design for an extendable selfie stick for portable camera, as shown and described.

DESCRIPTION

FIG. 1 is a front, left and top perspective view of an extendable selfie stick for portable camera in a folded position;

FIG. 2 is a front, right and top perspective view of an extendable selfie stick for portable camera in a folded position;

FIG. 3 is a front view of an extendable selfie stick for portable camera in a folded position;

FIG. 4 is a rear view of an extendable selfie stick for portable camera in a folded position;

FIG. 5 is a right side view of an extendable selfie stick for portable camera in a folded position;

FIG. 6 is a left side view of an extendable selfie stick for portable camera in a folded position;

FIG. 7 is a top plan view of an extendable selfie stick for portable camera in a folded position;

FIG. 8 is a bottom plan view of an extendable selfie stick for portable camera in a folded position;

FIG. 9 is a front, left and top perspective view of an extendable selfie stick for portable camera in an extended position;

FIG. 10 is a front view of an extendable selfie stick for portable camera in an extended position;

FIG. 11 is a rear view of an extendable selfie stick for portable camera in an extended position;

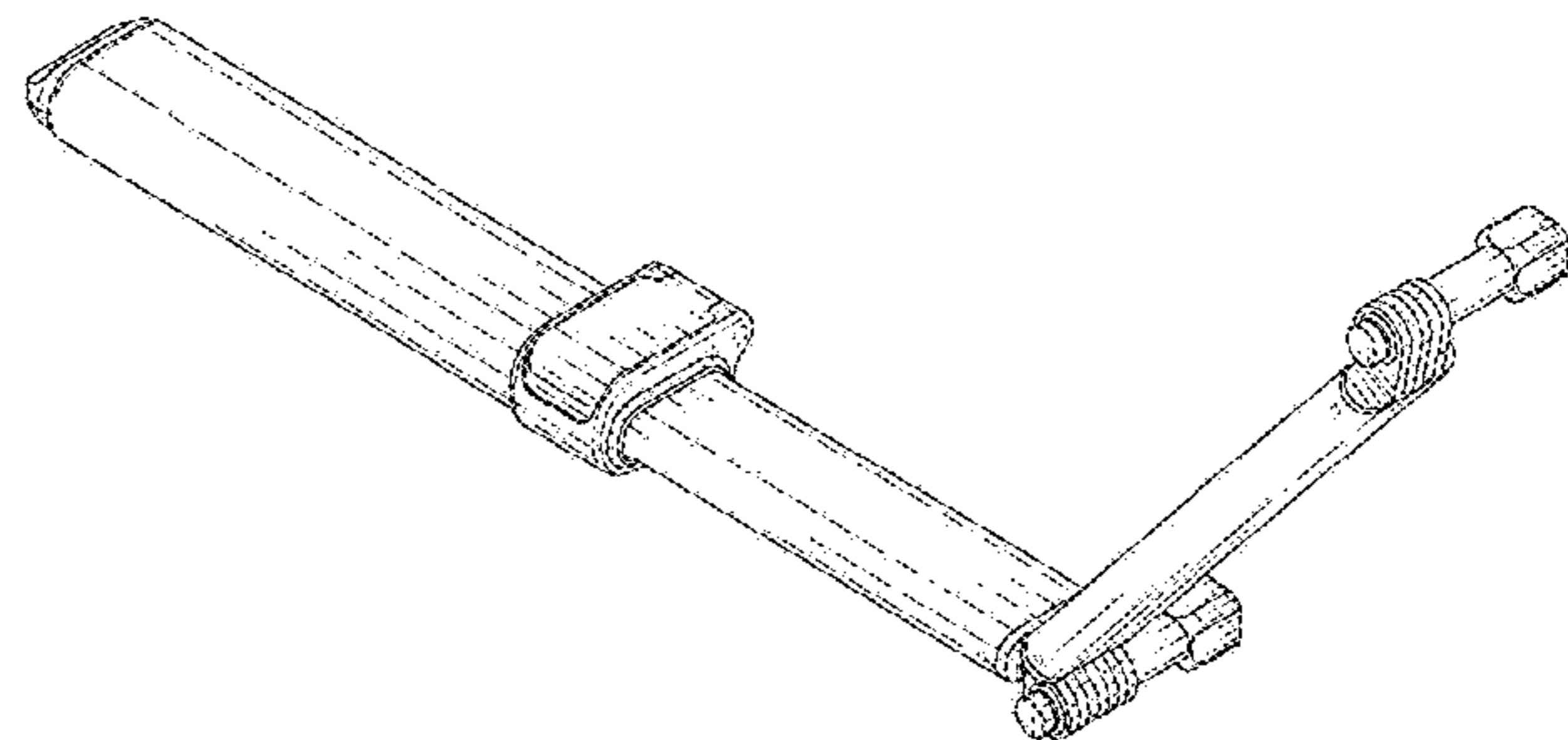
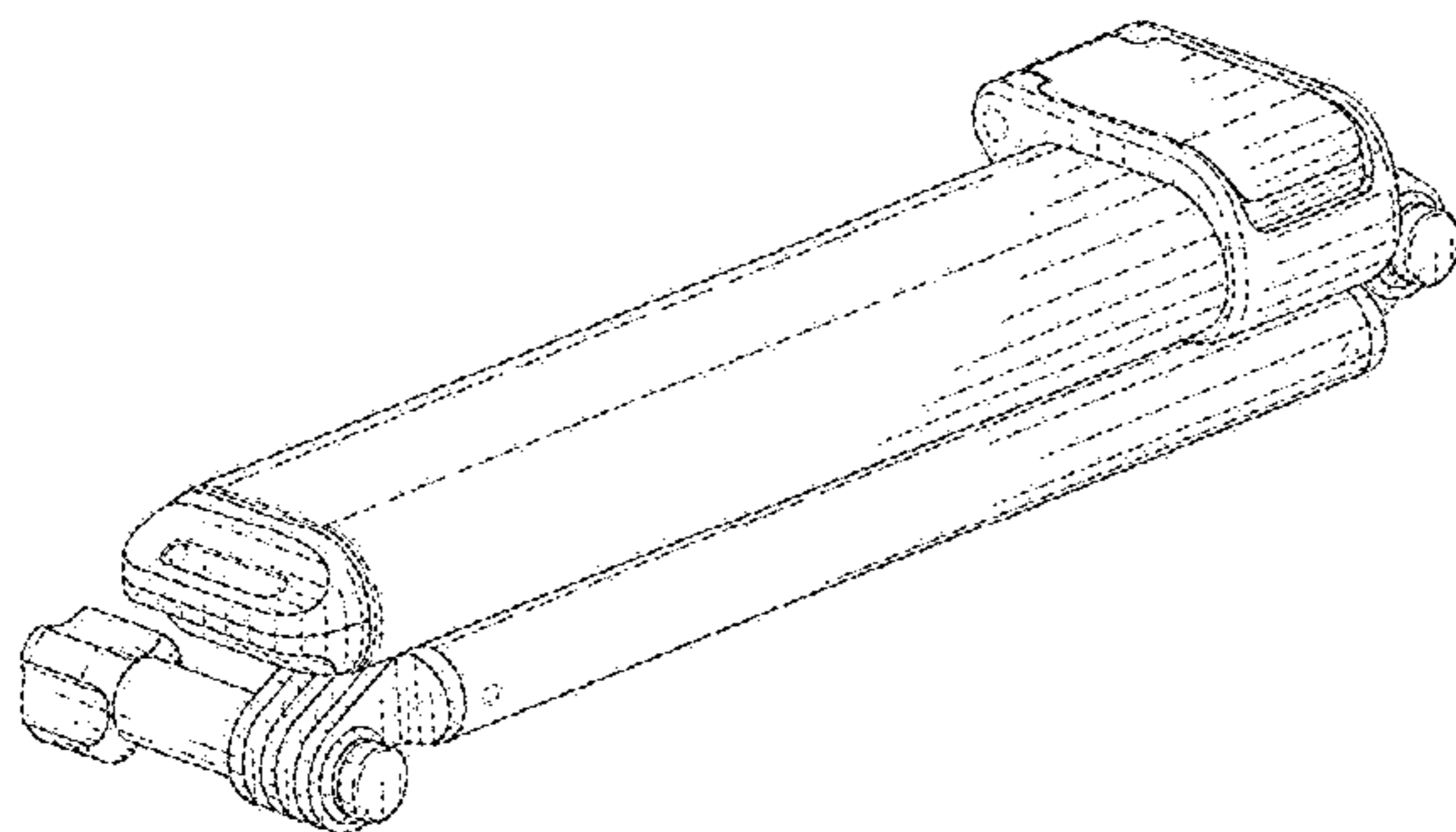
FIG. 12 is a right side view of an extendable selfie stick for portable camera in an extended position;

FIG. 13 is a left side view of an extendable selfie stick for portable camera in an extended position;

FIG. 14 is a top plan view of an extendable selfie stick for portable camera in an extended position; and,

FIG. 15 is a bottom plan view of an extendable selfie stick for portable camera in an extended position.

1 Claim, 11 Drawing Sheets



(58) **Field of Classification Search**

CPC G03B 17/14; G03B 17/56; G03B
17/561-17/568; G03B 15/041-15/0436;
G02B 7/00-7/002; G02B 7/02-7/04;
F16M 11/02; F16M 11/04; F16M 11/20;
F16M 11/40

See application file for complete search history.

(56) **References Cited**

U.S. PATENT DOCUMENTS

5,538,214 A * 7/1996 Sinila A61B 5/04004
248/278.1
D542,457 S * 5/2007 Fisherman D26/60
D574,530 S * 8/2008 Tragatschnig D26/61
D577,729 S * 9/2008 Derry D14/452
D746,353 S * 12/2015 Woodman D16/242
D747,399 S * 1/2016 Stump D16/243
D757,843 S * 5/2016 Gorsuch D16/242
D766,230 S * 9/2016 Shepard D16/243
2008/0117328 A1 * 5/2008 Daoud F16M 11/10
348/373
2016/0337492 A1 * 11/2016 Tseng H04M 1/0264
2017/0085284 A1 * 3/2017 Ai H04B 1/3888

* cited by examiner

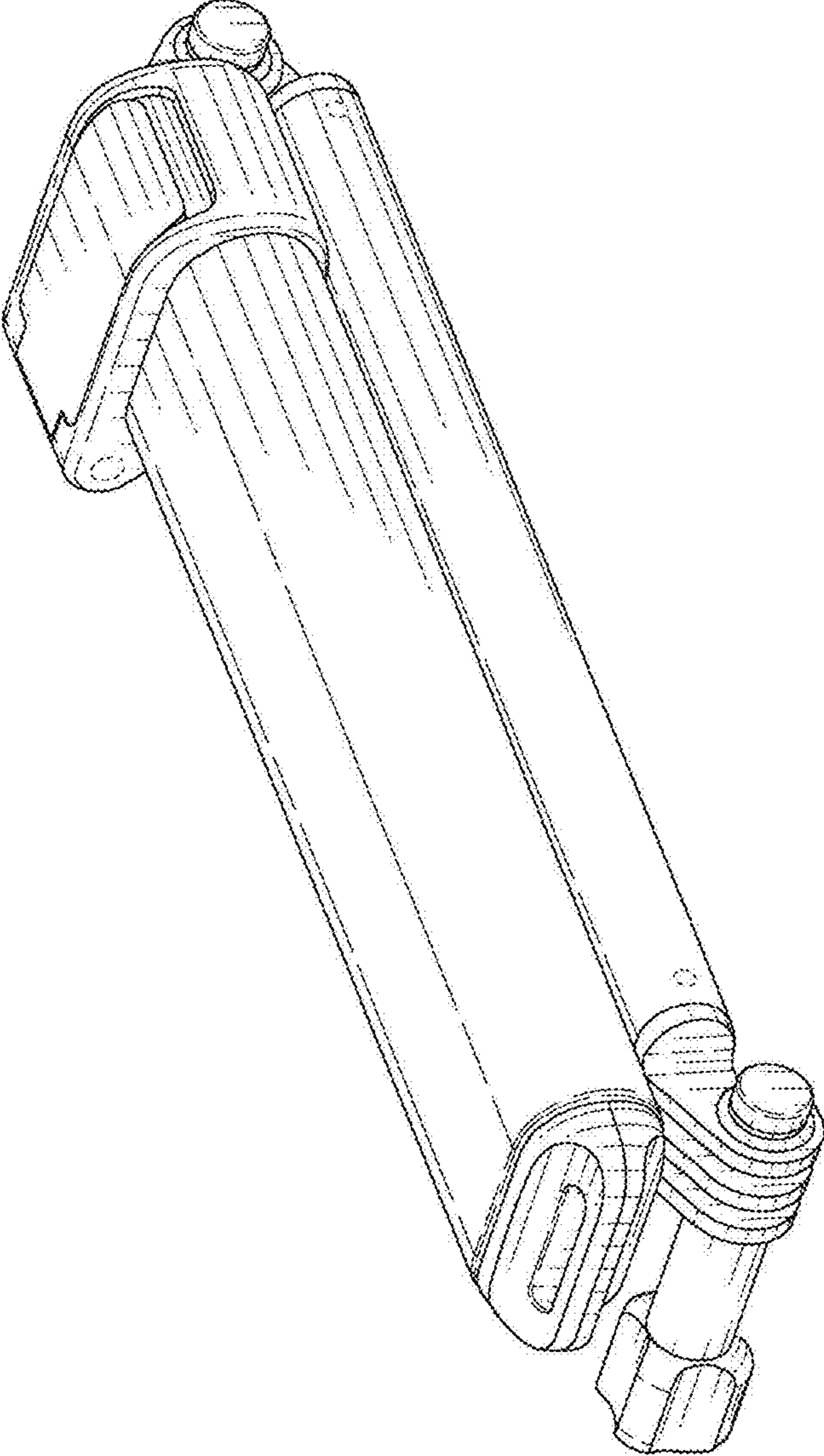


FIG. 1

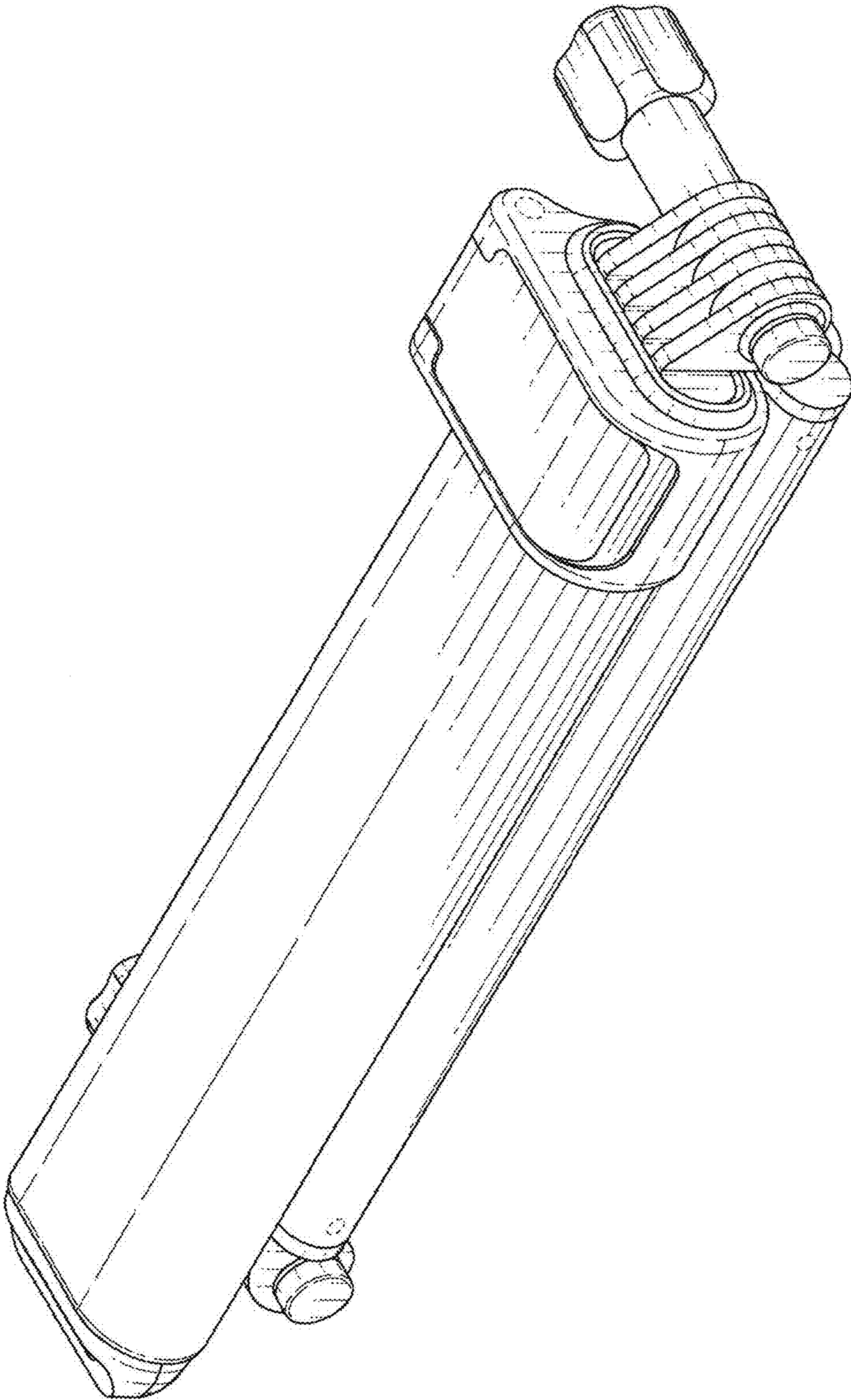


FIG. 2

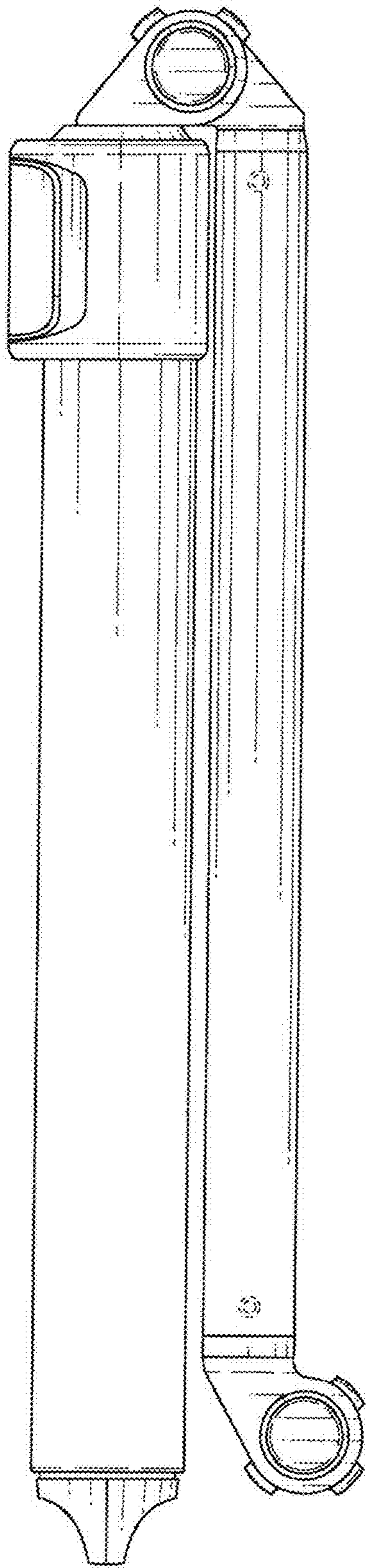


FIG. 3

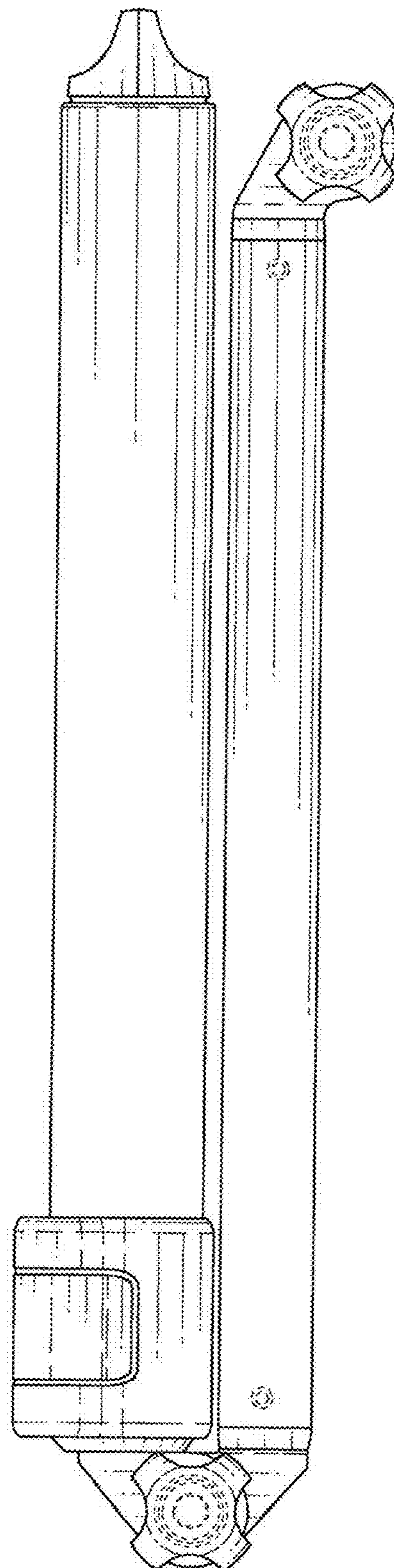


FIG. 4

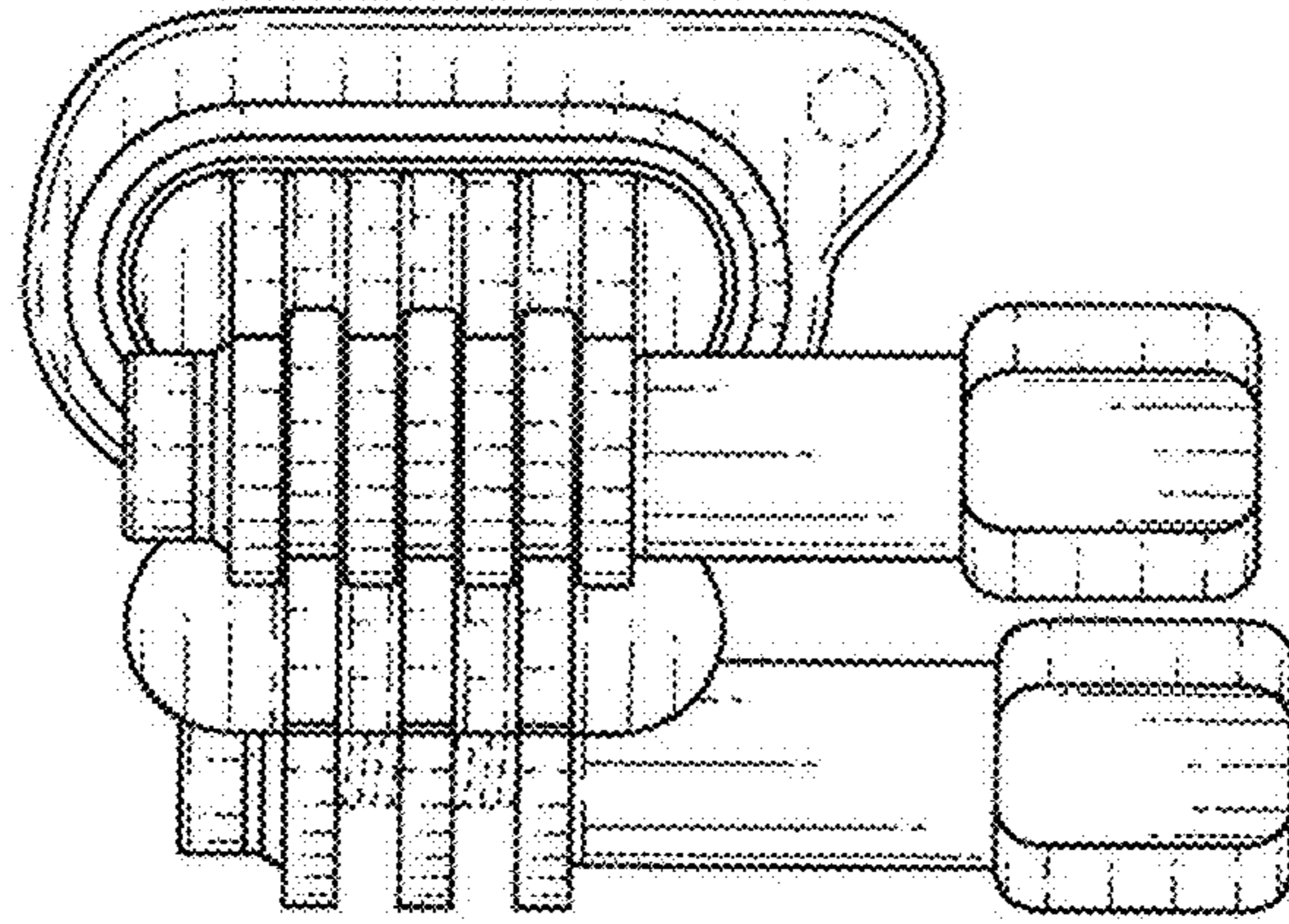


FIG. 5

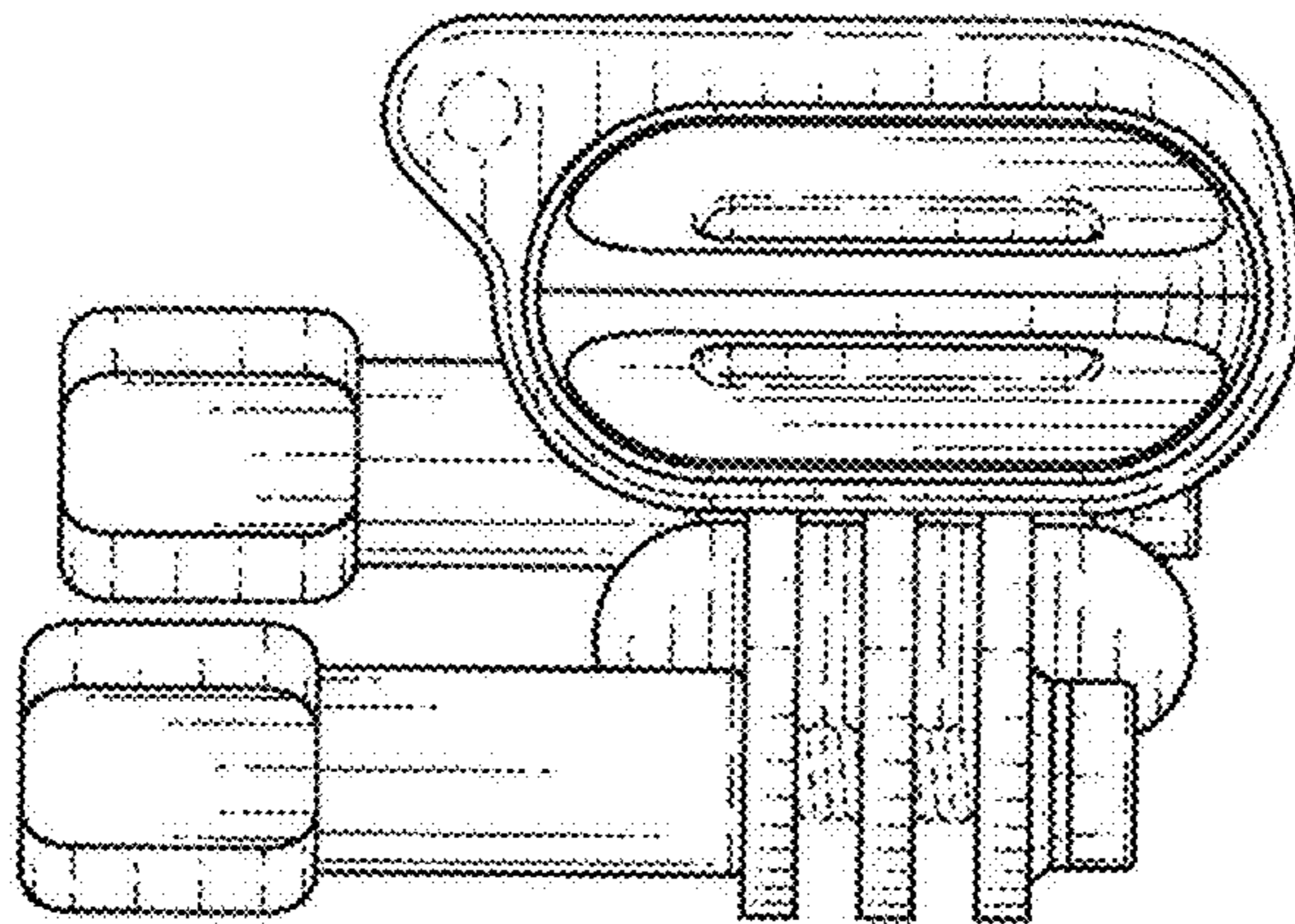


FIG. 6

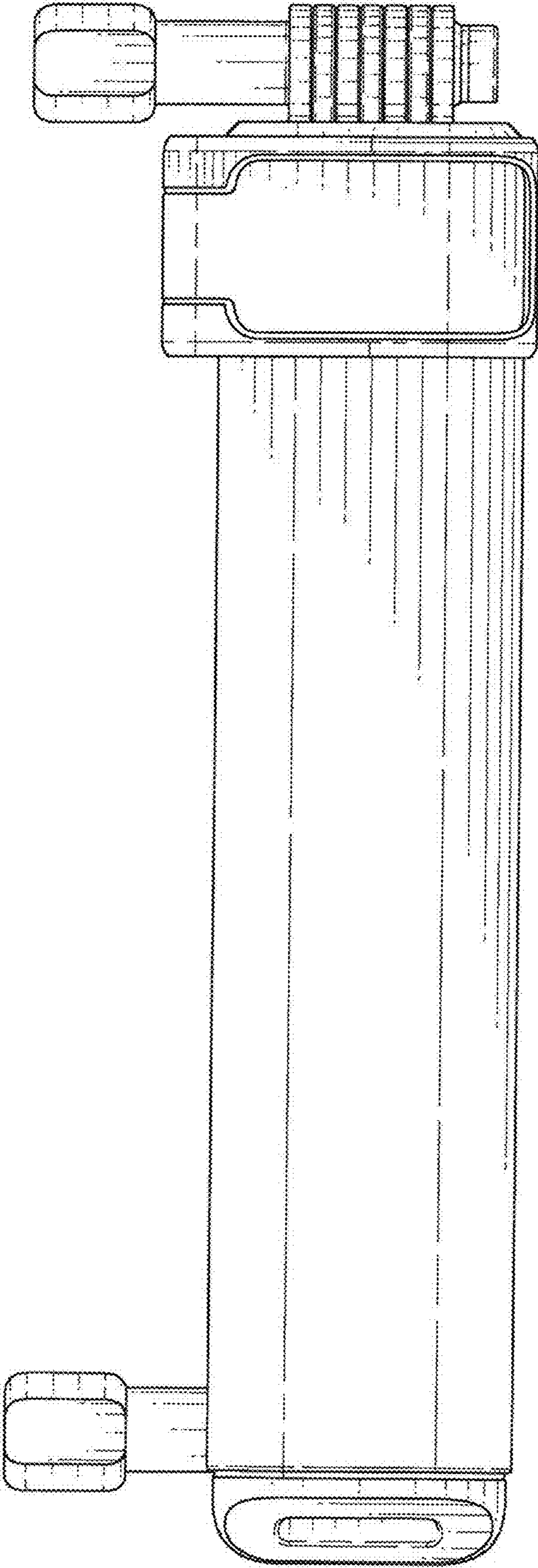


FIG. 7

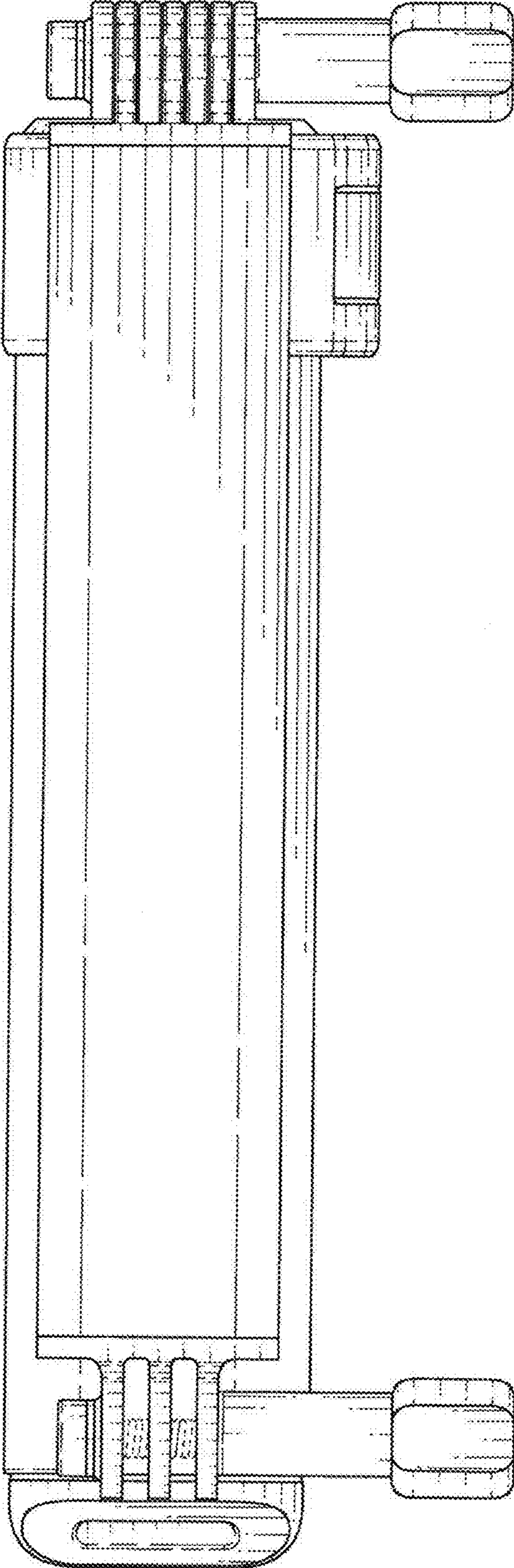


FIG. 8

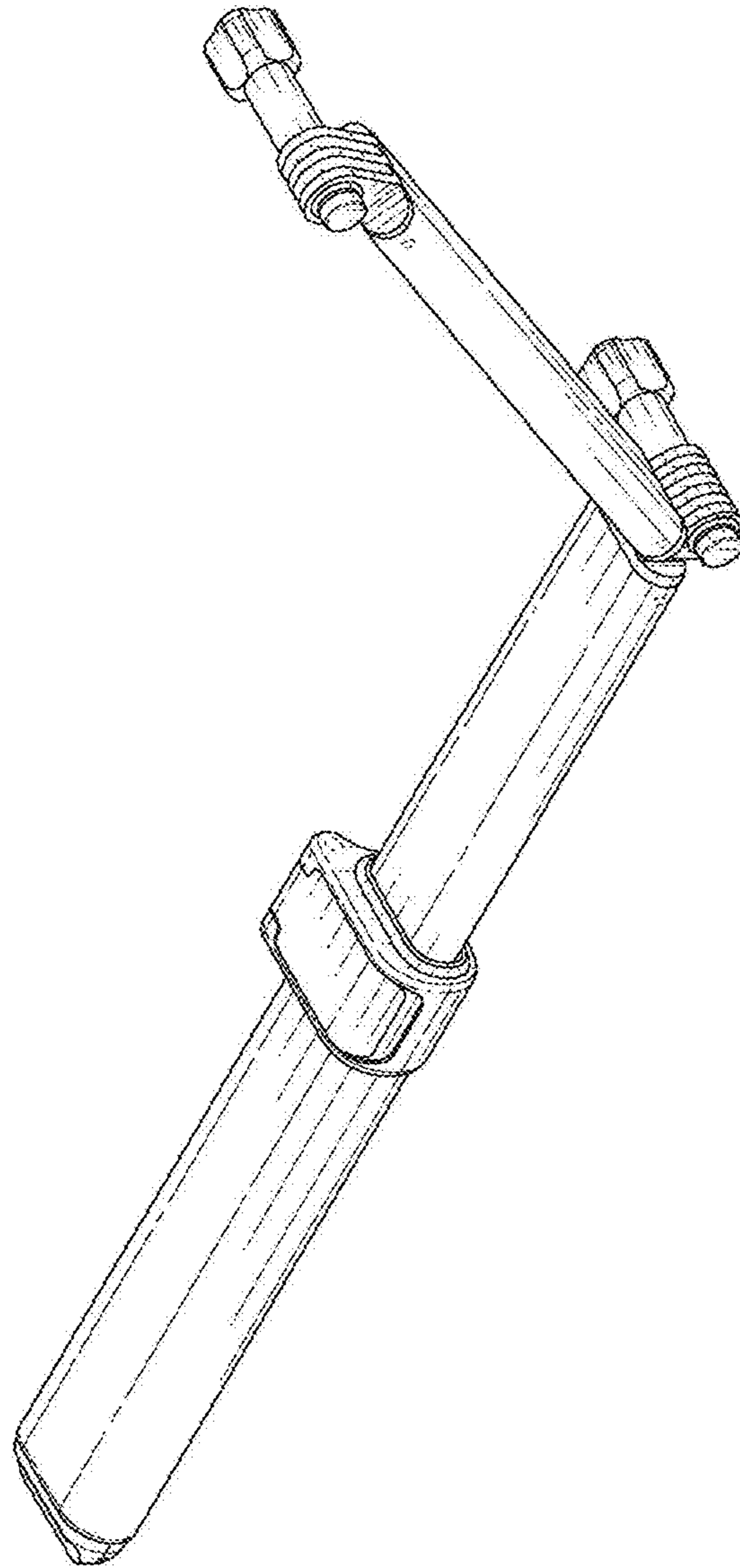


FIG. 9

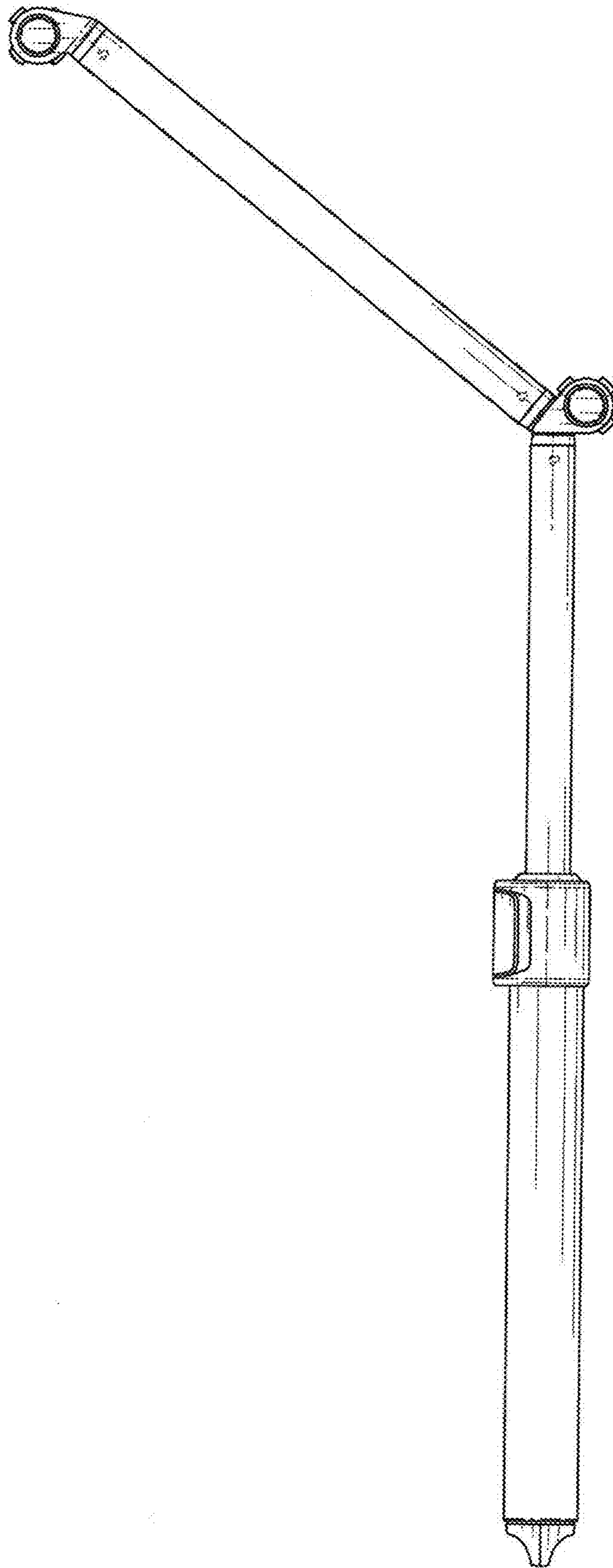


FIG. 10

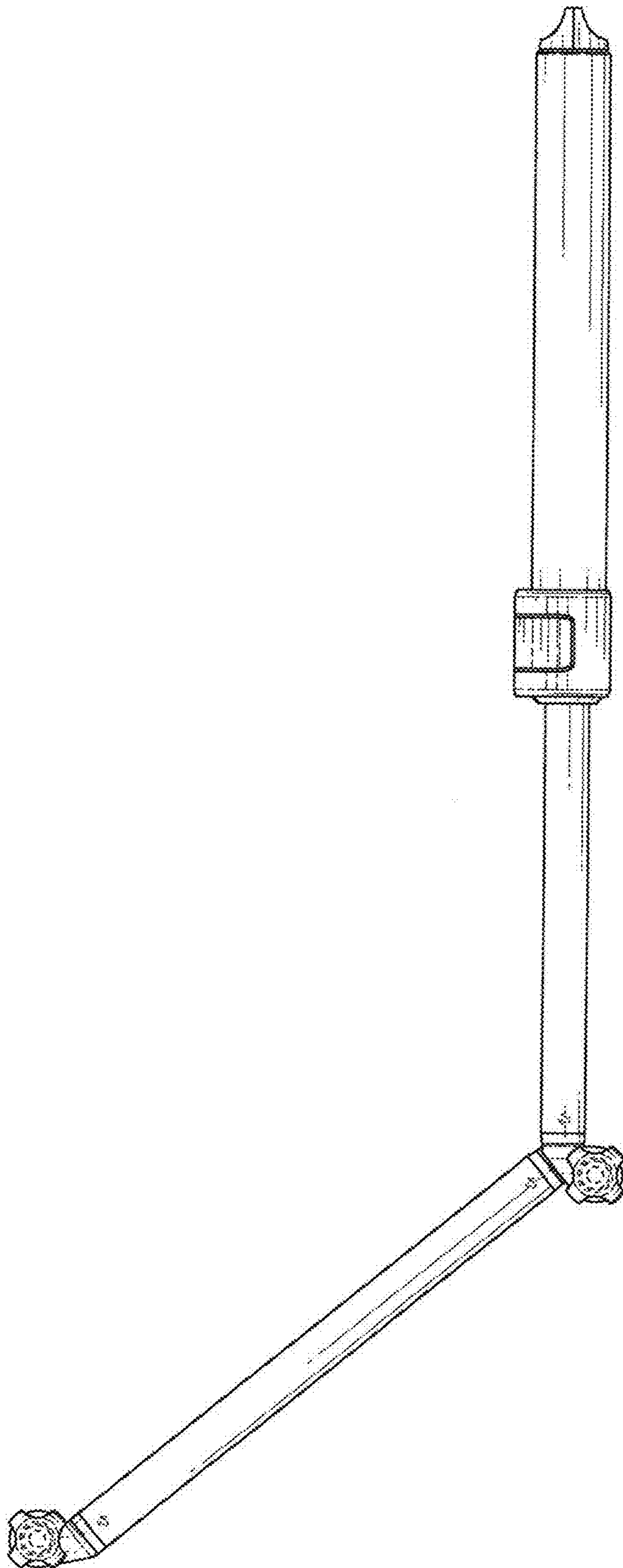


FIG. 11

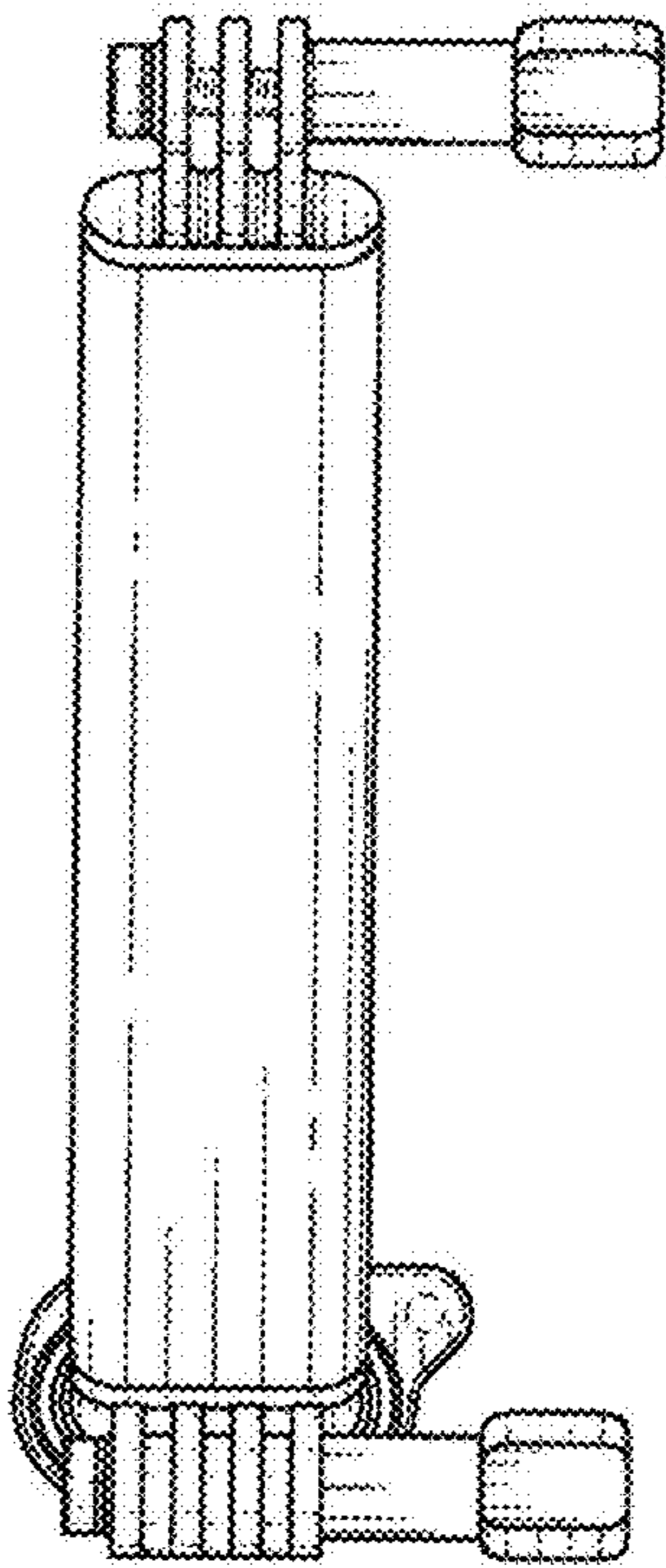


FIG. 12

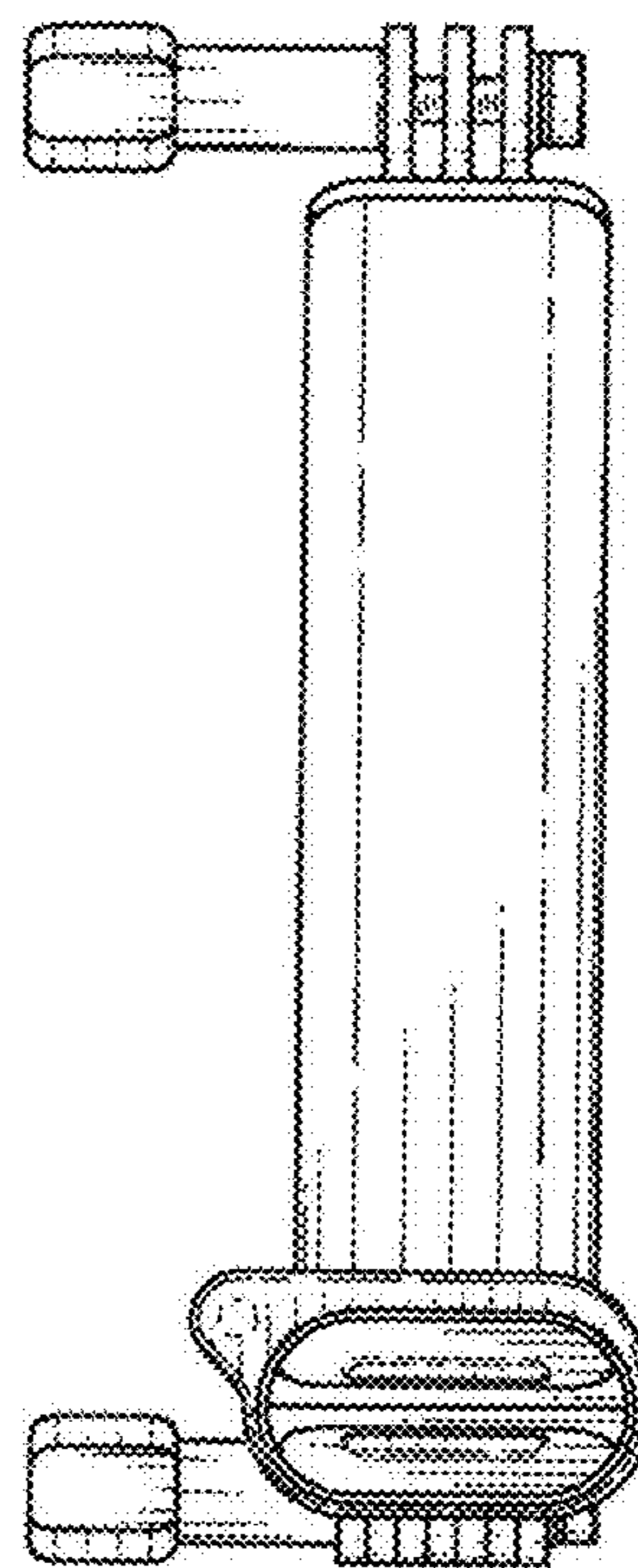


FIG. 13

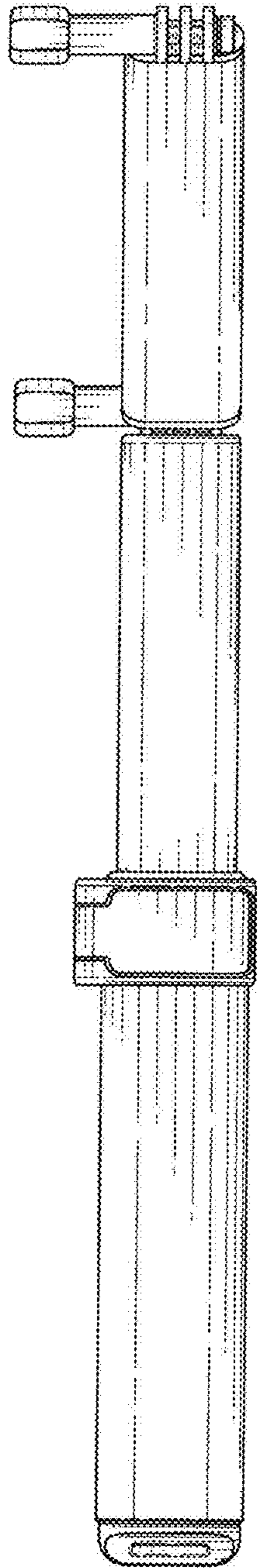


FIG. 14

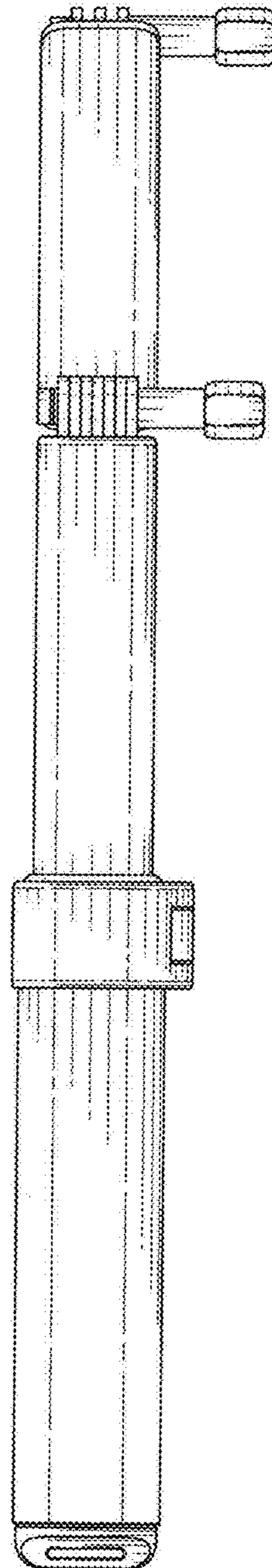


FIG. 15