



US00D803929S

(12) **United States Design Patent** (10) **Patent No.:** **US D803,929 S**
Rossell (45) **Date of Patent:** **** Nov. 28, 2017**

(54) **PROJECTOR HOLDER**
(71) Applicant: **Mimono LLC**, Doral, FL (US)
(72) Inventor: **Joseph Christian Rossell**, Guatemala (GT)

2012/0154754 A1 6/2012 Maeda et al.
2014/0267031 A1 9/2014 Huebner
2014/0326839 A1 11/2014 Zouev et al.
2015/0031459 A1* 1/2015 Kim G03B 21/145
463/40
2016/0198842 A1 7/2016 Kang et al.

(73) Assignee: **Mimono LLC**, Doral, FL (US)
(**) Term: **15 Years**

FOREIGN PATENT DOCUMENTS

WO WO 2011/089369 A1 7/2011
* cited by examiner

(21) Appl. No.: **29/587,316**
(22) Filed: **Dec. 12, 2016**
(51) **LOC (10) Cl.** **16-02**
(52) **U.S. Cl.**
USPC **D16/235**
(58) **Field of Classification Search**
USPC D16/235, 237, 242, 250; D21/415-416
CPC G03B 21/14; G03B 21/54; G03B 21/145;
G03B 17/561
See application file for complete search history.

Primary Examiner — Wan Laymon
(74) *Attorney, Agent, or Firm* — Wolf, Greenfield & Sacks, P.C.

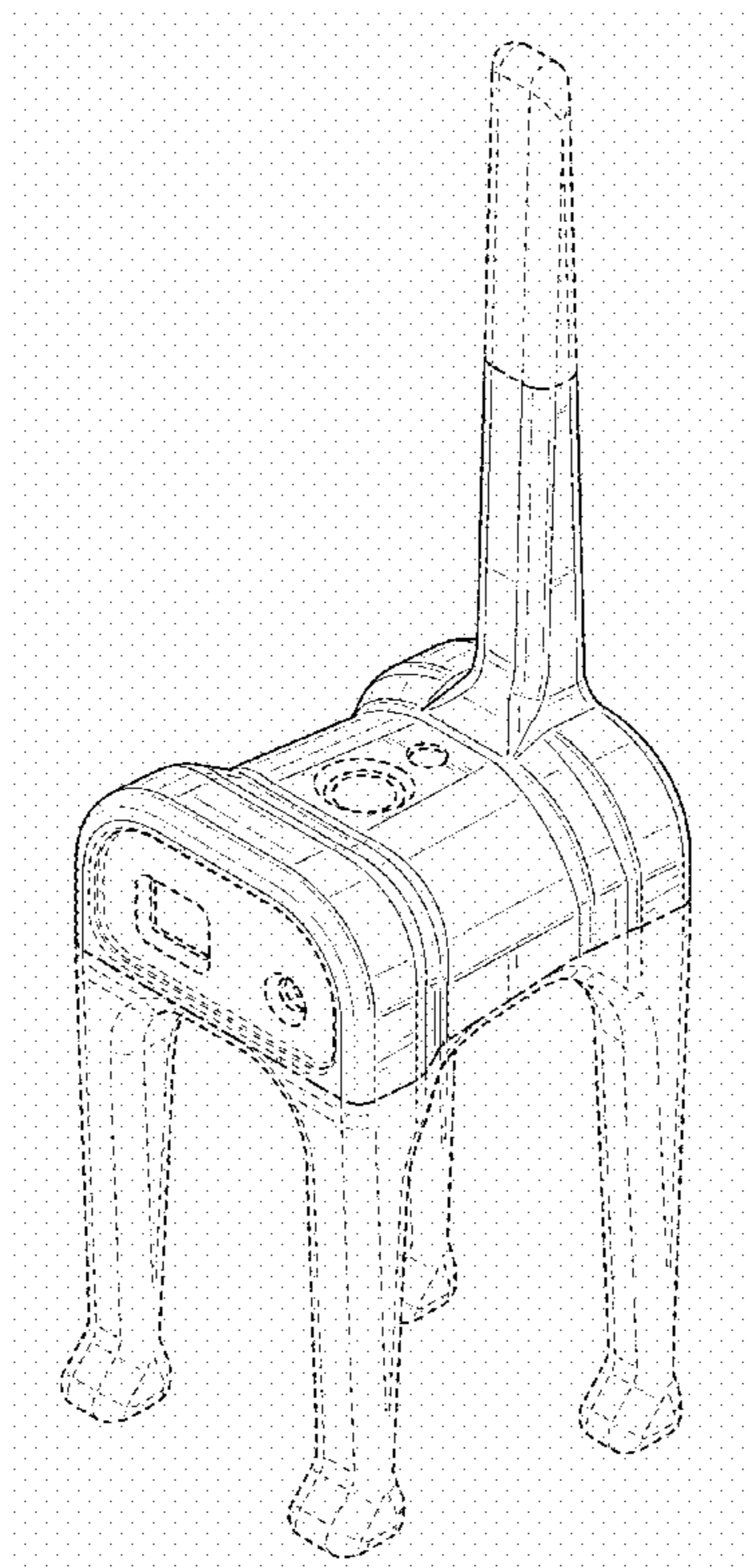
(57) **CLAIM**
The ornamental design for a projector holder, as shown and described.

(56) **References Cited**
U.S. PATENT DOCUMENTS
D55,977 S * 8/1920 Brown D16/235
D275,683 S * 9/1984 Donnelly D16/235
D694,761 S 12/2013 Zoll
8,714,756 B2 * 5/2014 Yang G03B 21/145
248/309.4
2001/0007527 A1 7/2001 Lammers et al.
2006/0170885 A1 8/2006 Kitahara
2008/0122137 A1 5/2008 Hamaoka
2011/0199759 A1 8/2011 Bevirt

DESCRIPTION

FIG. 1 is a top, front, right side perspective view of a projector holder showing our new design; FIG. 2 is a front elevation view thereof; FIG. 3 is a rear elevation view thereof; FIG. 4 is a left side elevation view thereof; FIG. 5 is a right side elevation view thereof; FIG. 6 is a top plan view thereof; and, FIG. 7 is a bottom plan view thereof. The dot-dash broken lines in the figures represent boundaries of the claimed design and form no part thereof. All other broken lines illustrate portions of the projector holder that form no part of the claimed design.

1 Claim, 6 Drawing Sheets



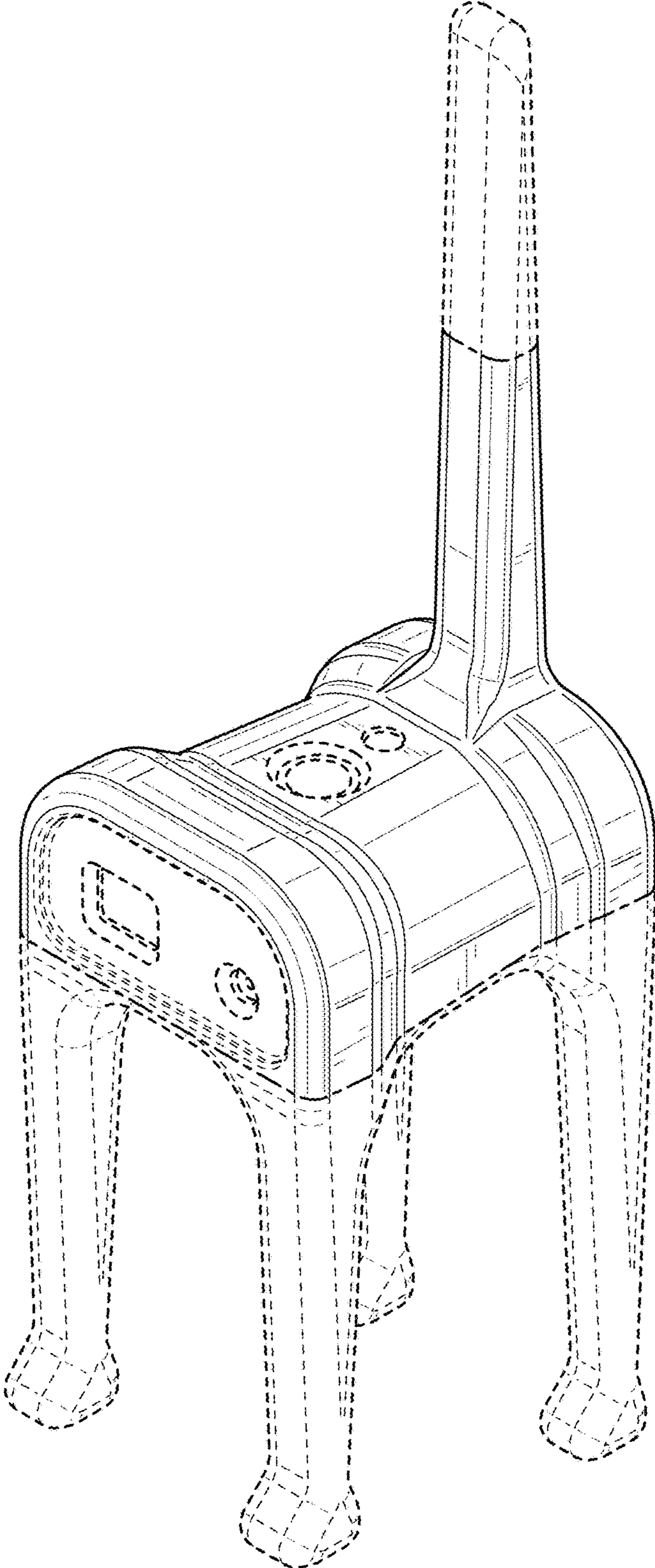


FIG. 1

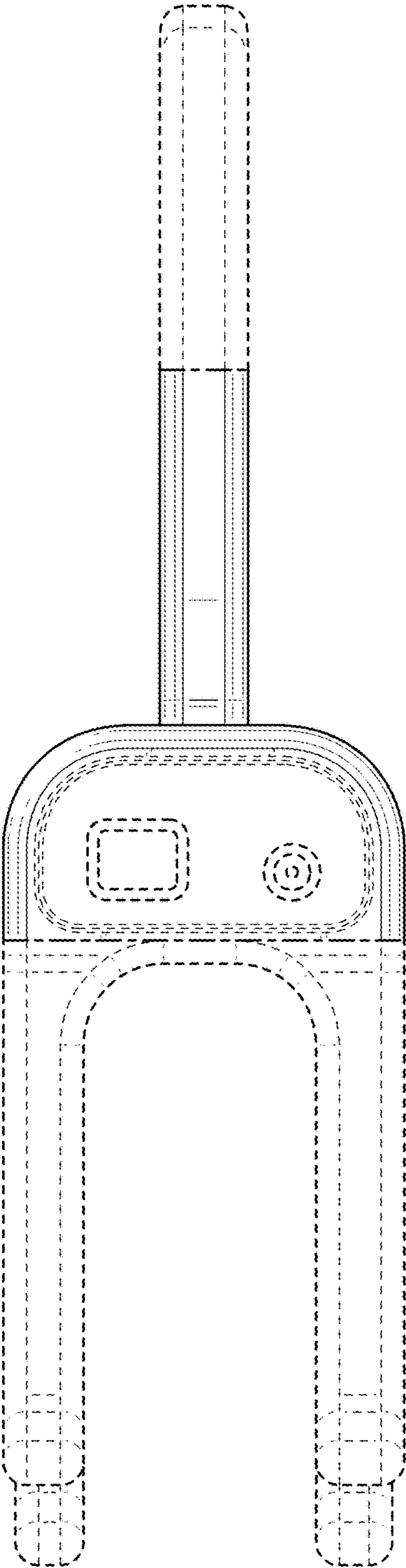


FIG. 2

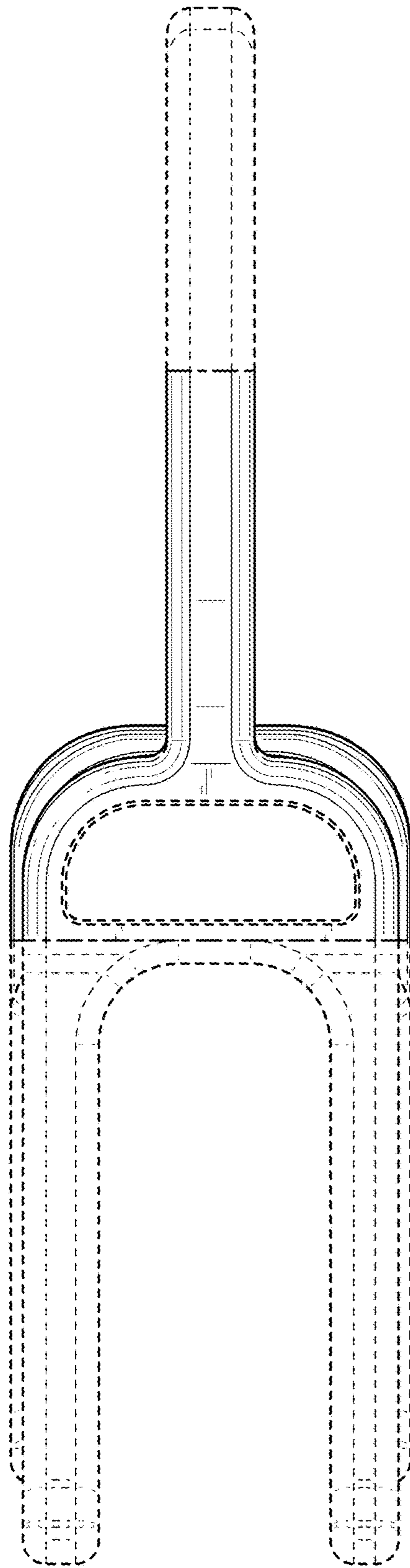


FIG. 3

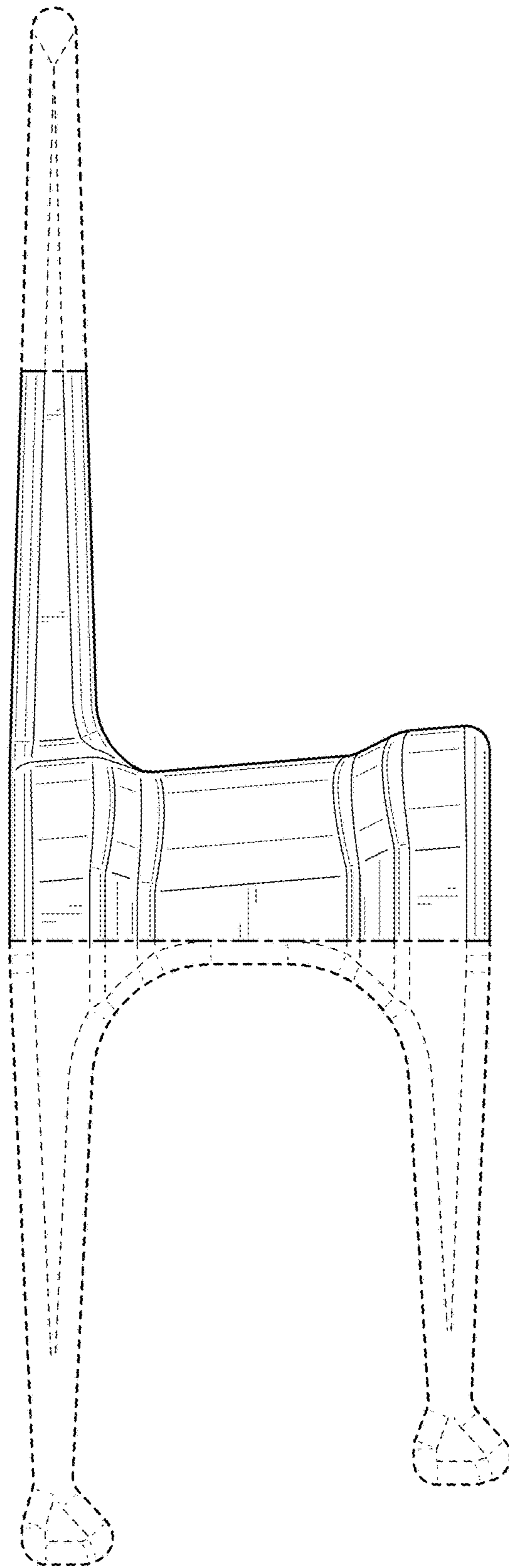


FIG. 4

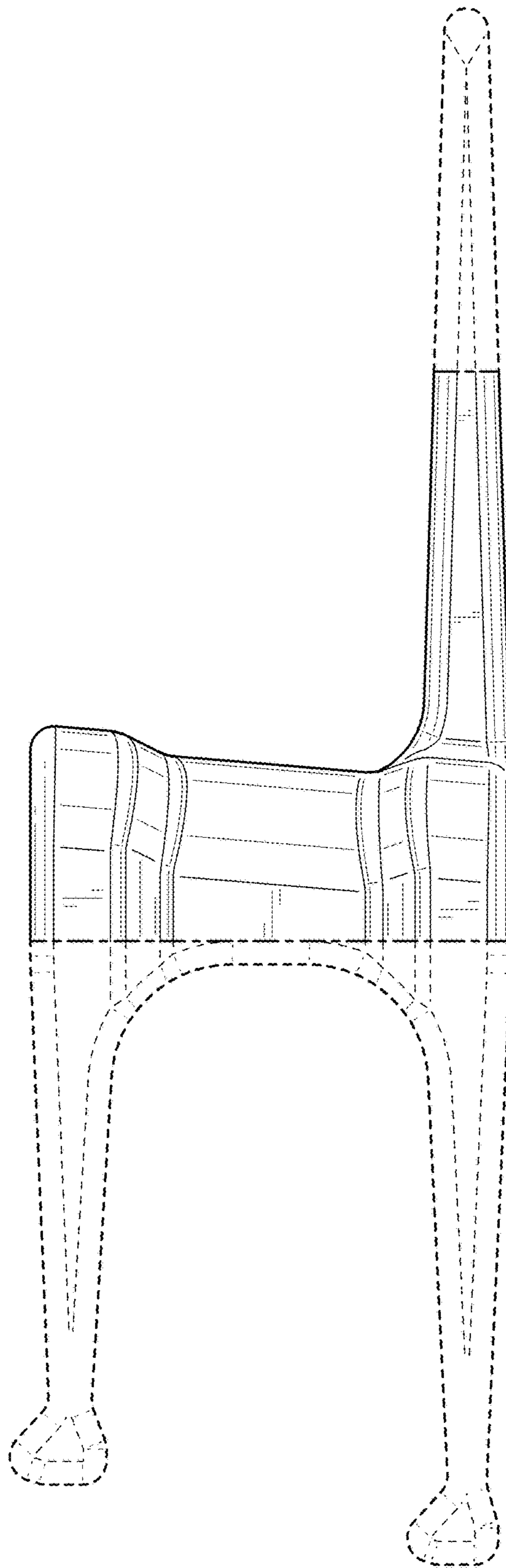


FIG. 5

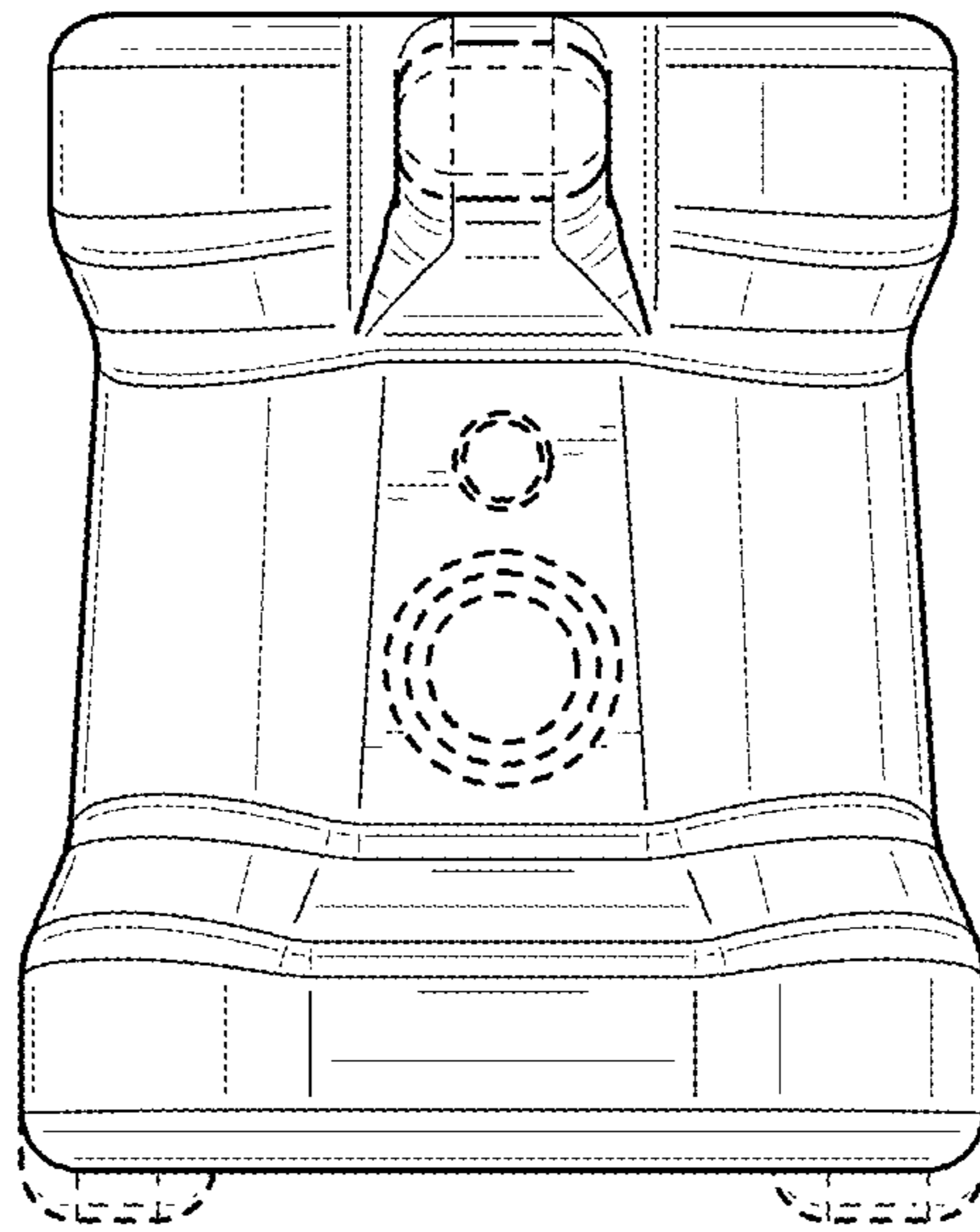


FIG. 6

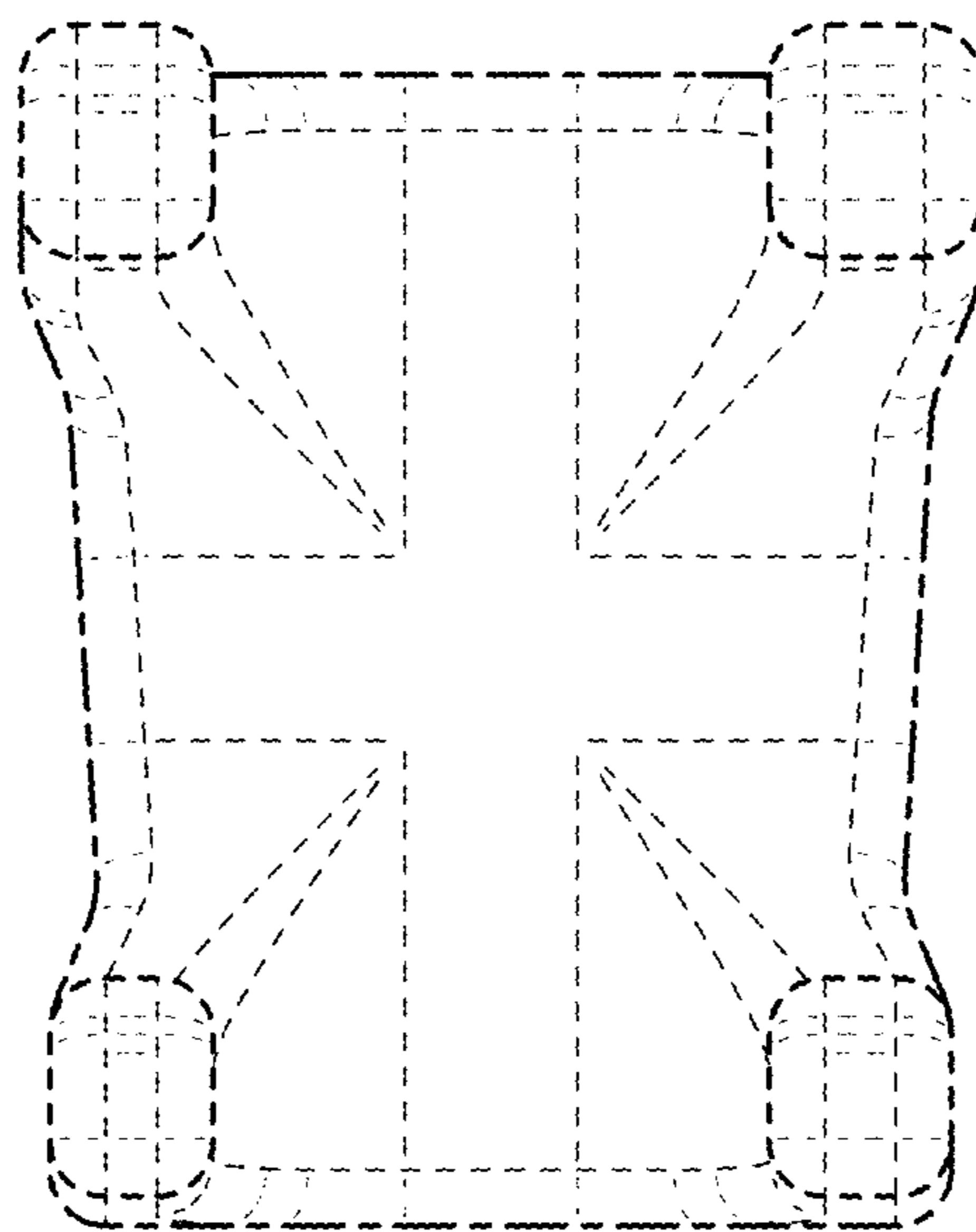


FIG. 7