



US00D803928S

(12) **United States Design Patent**  
**Yuyama**

(10) **Patent No.:** **US D803,928 S**

(45) **Date of Patent:** **\*\* Nov. 28, 2017**

(54) **PROJECTOR**

(71) Applicant: **Panasonic Intellectual Property Management Co., Ltd.**, Osaka (JP)

(72) Inventor: **Keiji Yuyama**, Tokyo (JP)

(73) Assignee: **Panasonic Intellectual Property Management Co., Ltd.**, Osaka (JP)

(\*\*) Term: **15 Years**

(21) Appl. No.: **29/580,919**

(22) Filed: **Oct. 14, 2016**

(30) **Foreign Application Priority Data**

May 25, 2016 (JP) ..... 2016-011097

(51) **LOC (10) Cl.** ..... **16-02**

(52) **U.S. Cl.**  
USPC ..... **D16/235**

(58) **Field of Classification Search**  
USPC ..... D16/221, 225, 230–231, 234–235;  
D21/514  
CPC .... G03B 21/145; G03B 21/00; G03B 21/001;  
G03B 21/003; G03B 21/12; G03B 21/14;  
G03B 21/54

See application file for complete search history.

(56) **References Cited**

**U.S. PATENT DOCUMENTS**

D436,980 S \* 1/2001 Takeuchi ..... D16/225  
D498,488 S \* 11/2004 Oota ..... D16/225

D613,326 S \* 4/2010 Kawabe ..... D16/235  
D648,366 S \* 11/2011 Yuyama ..... D16/230  
9,703,181 B2 \* 7/2017 Sakurai ..... G03B 21/145

\* cited by examiner

*Primary Examiner* — Wan Laymon

(74) *Attorney, Agent, or Firm* — Panasonic IP Management; Kerry S. Culpepper

(57) **CLAIM**

I claim the ornamental design for a projector, as shown and described.

**DESCRIPTION**

FIG. 1 is a front perspective view of a projector of the present invention;  
FIG. 2 is a rear perspective view thereof;  
FIG. 3 is a front view thereof;  
FIG. 4 is a rear view thereof;  
FIG. 5 is a first side view thereof;  
FIG. 6 is a second side view thereof;  
FIG. 7 is a top view thereof; and,  
FIG. 8 is a bottom view thereof.

The broken line showing of projector is included for the purpose of illustrating environment and forms no part of the claimed design.

**1 Claim, 8 Drawing Sheets**

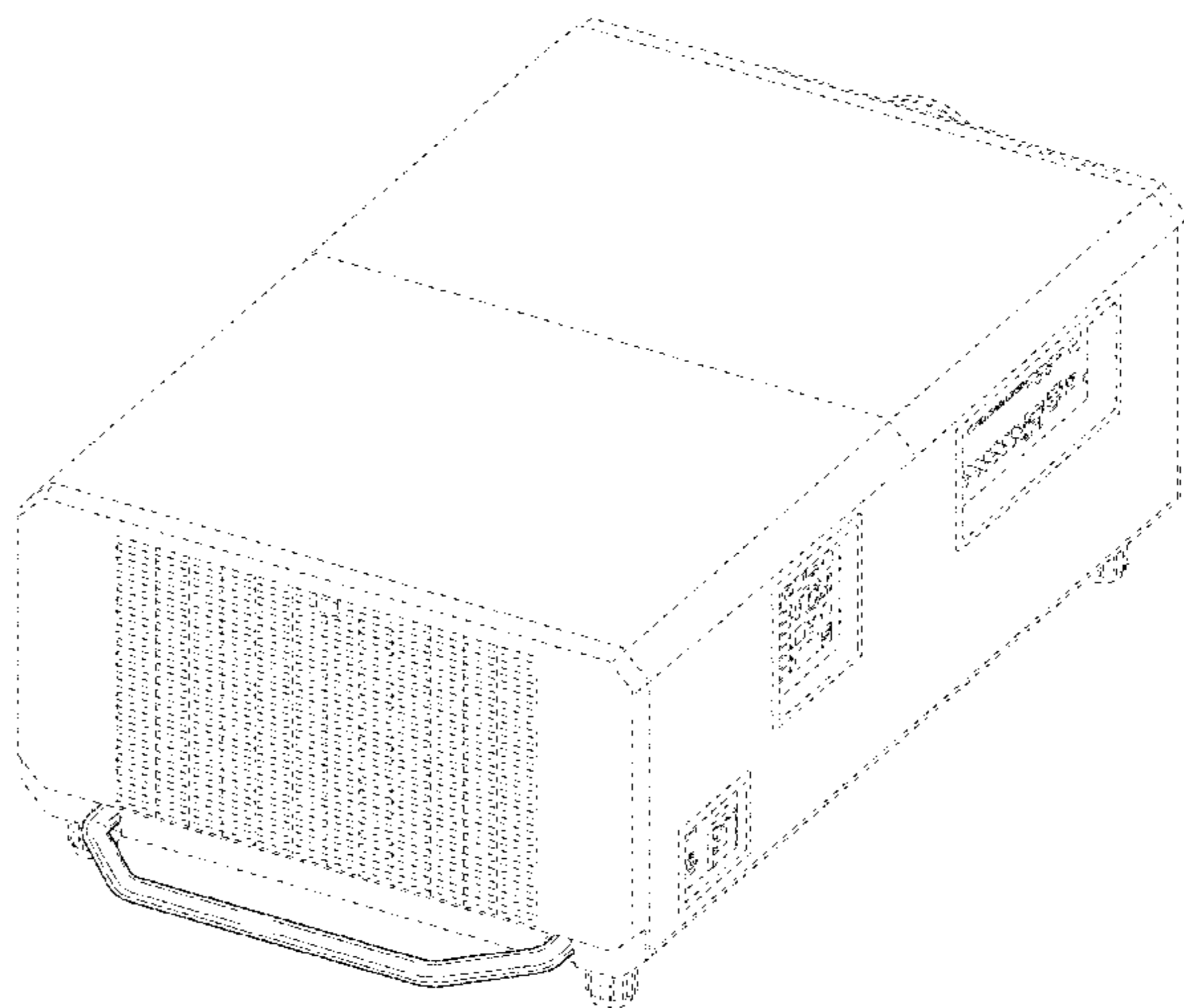
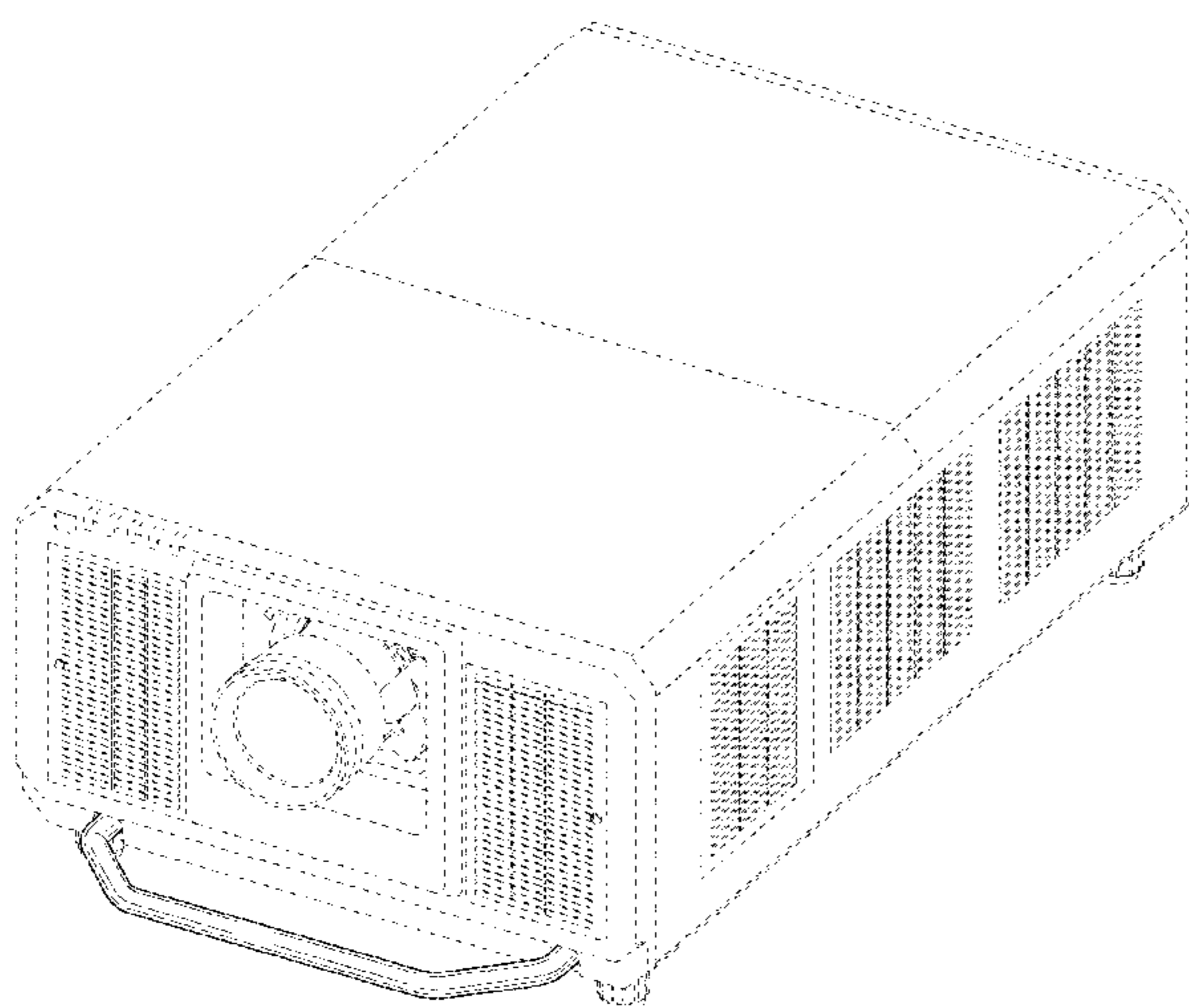


FIG. 1

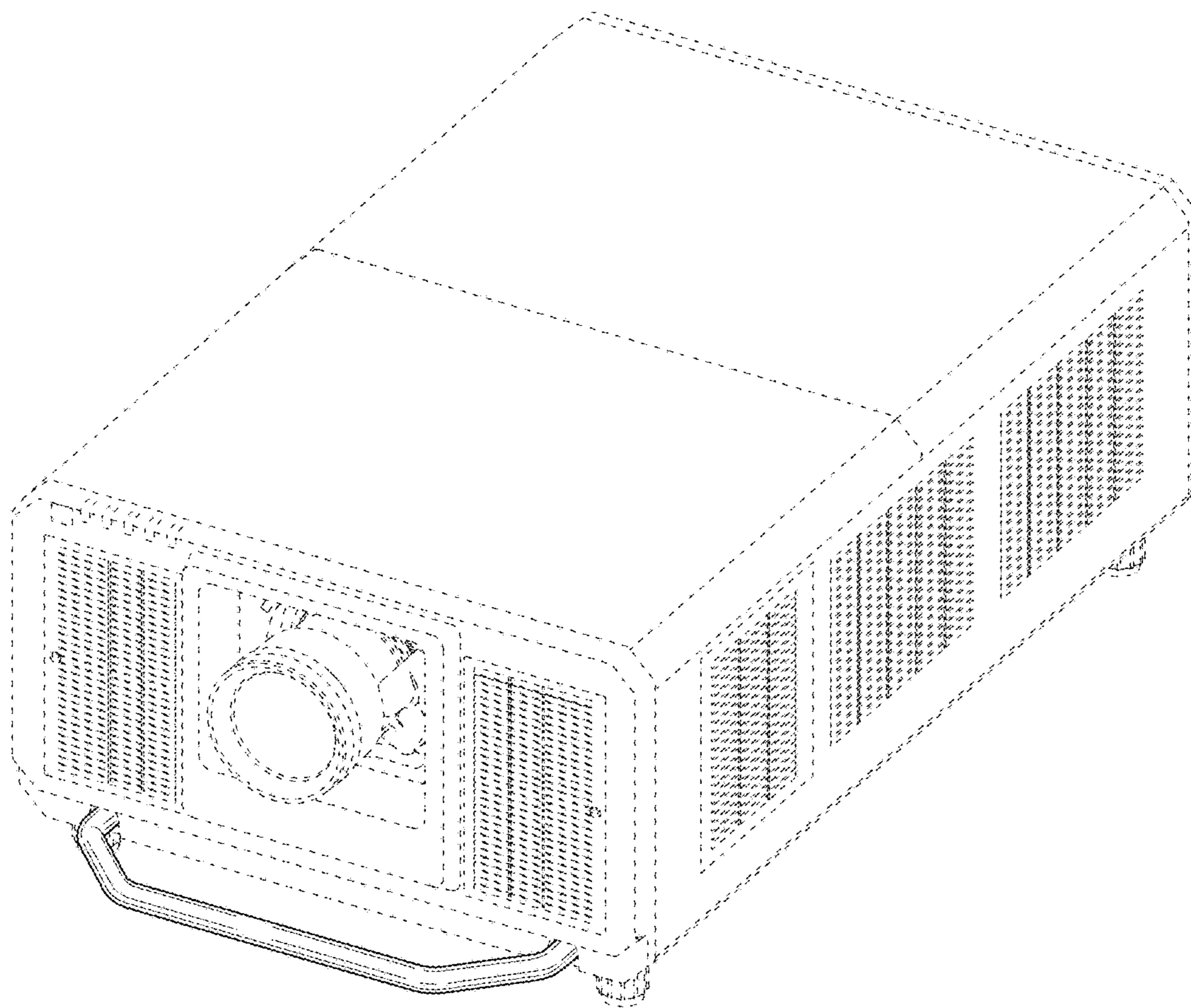


FIG. 2

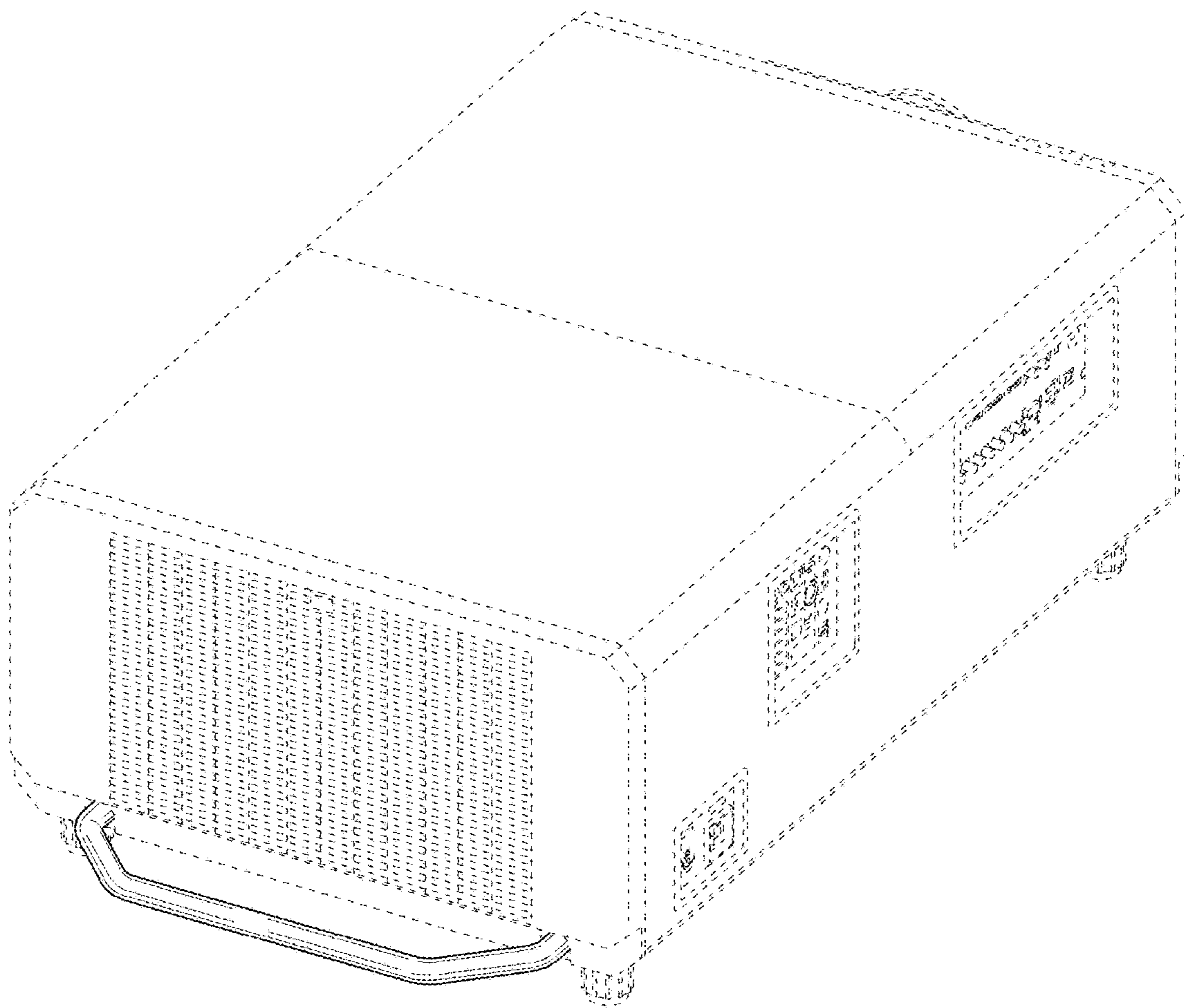


FIG. 3

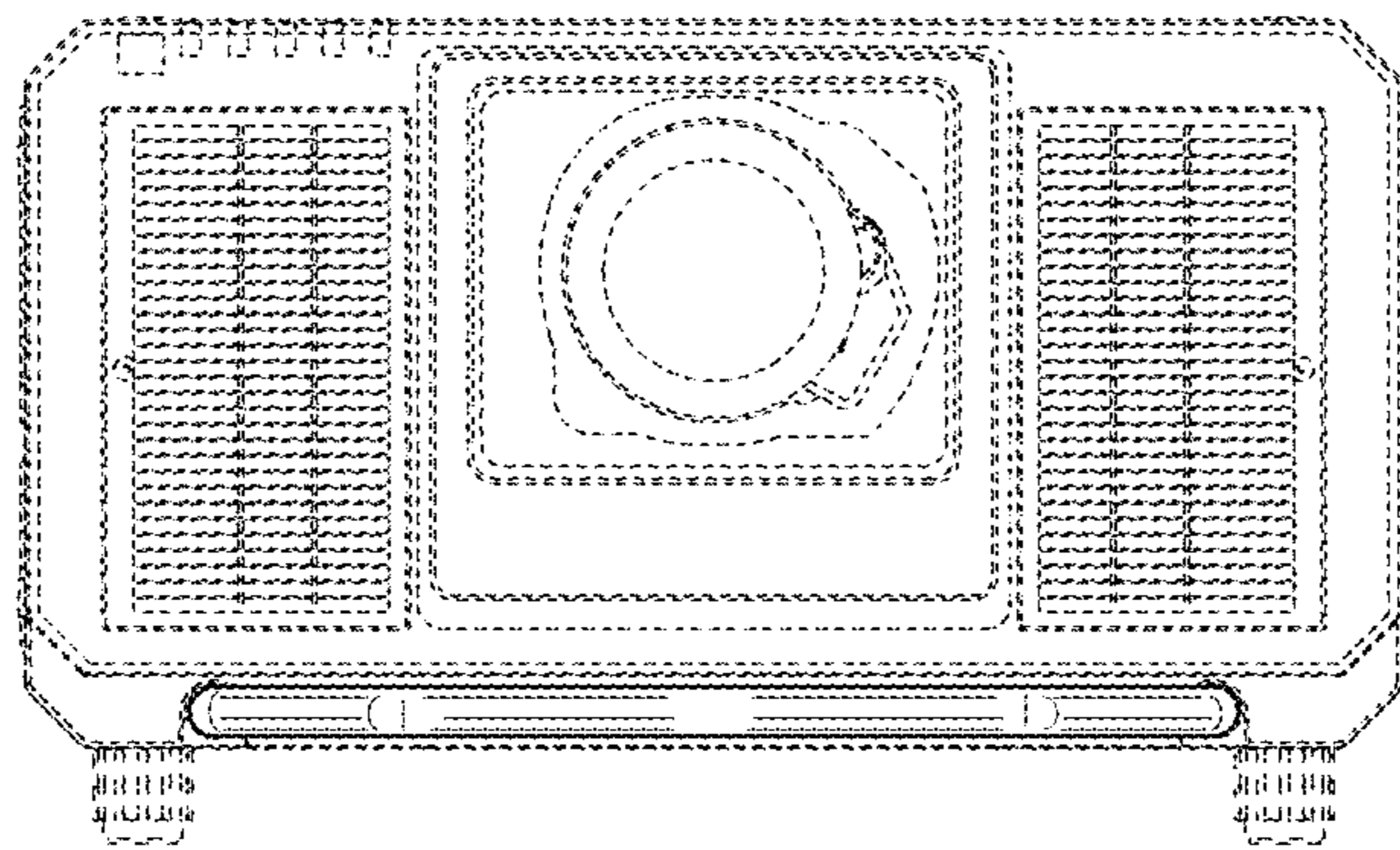


FIG. 4

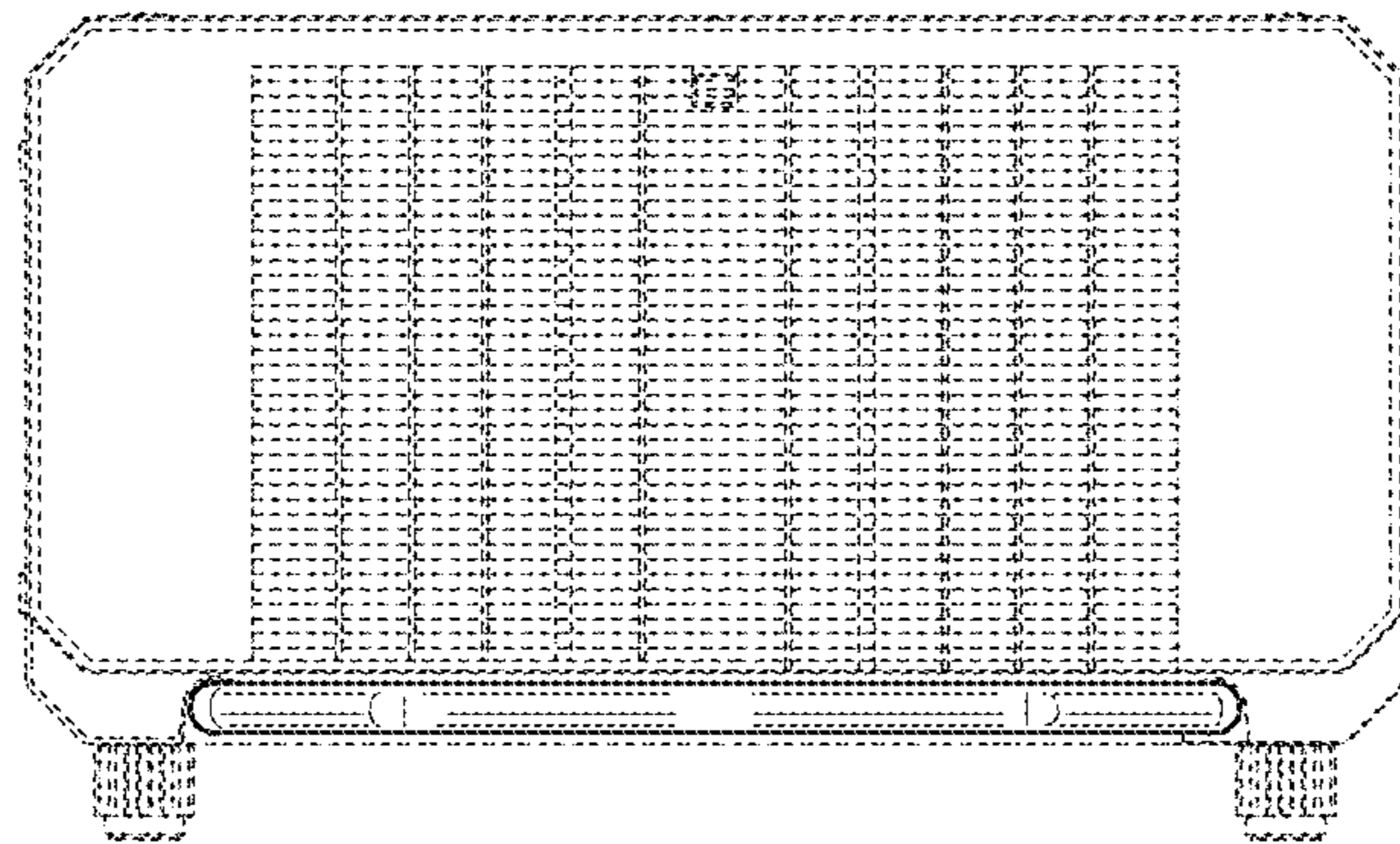


FIG. 5

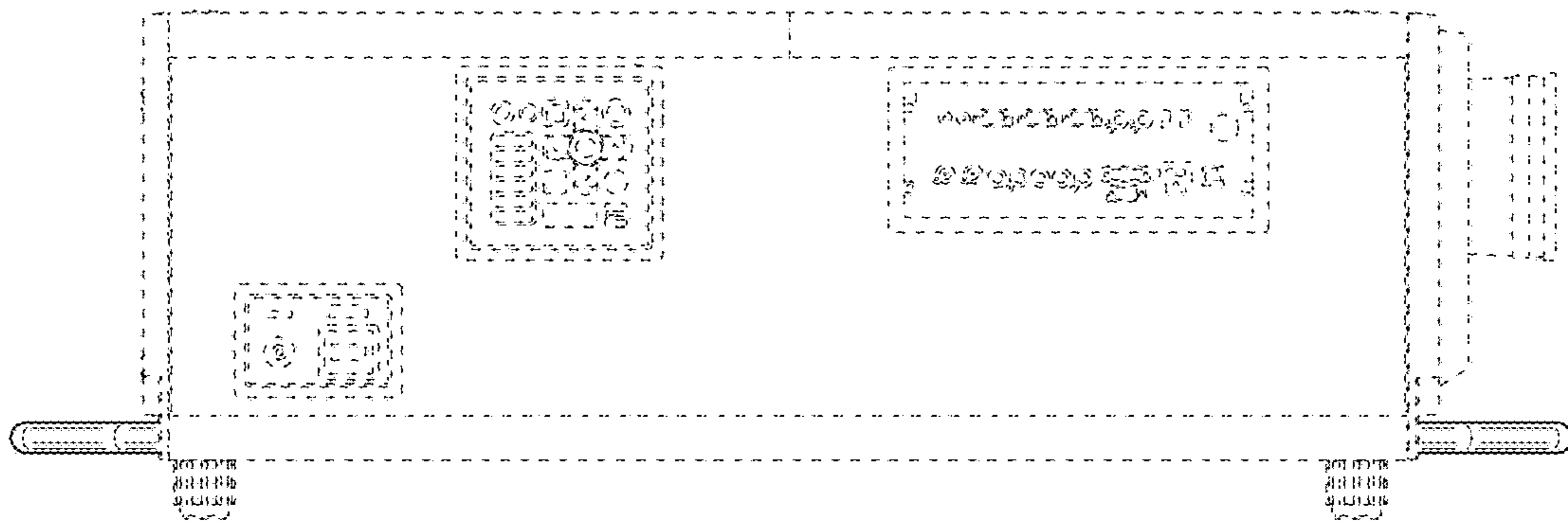


FIG. 6

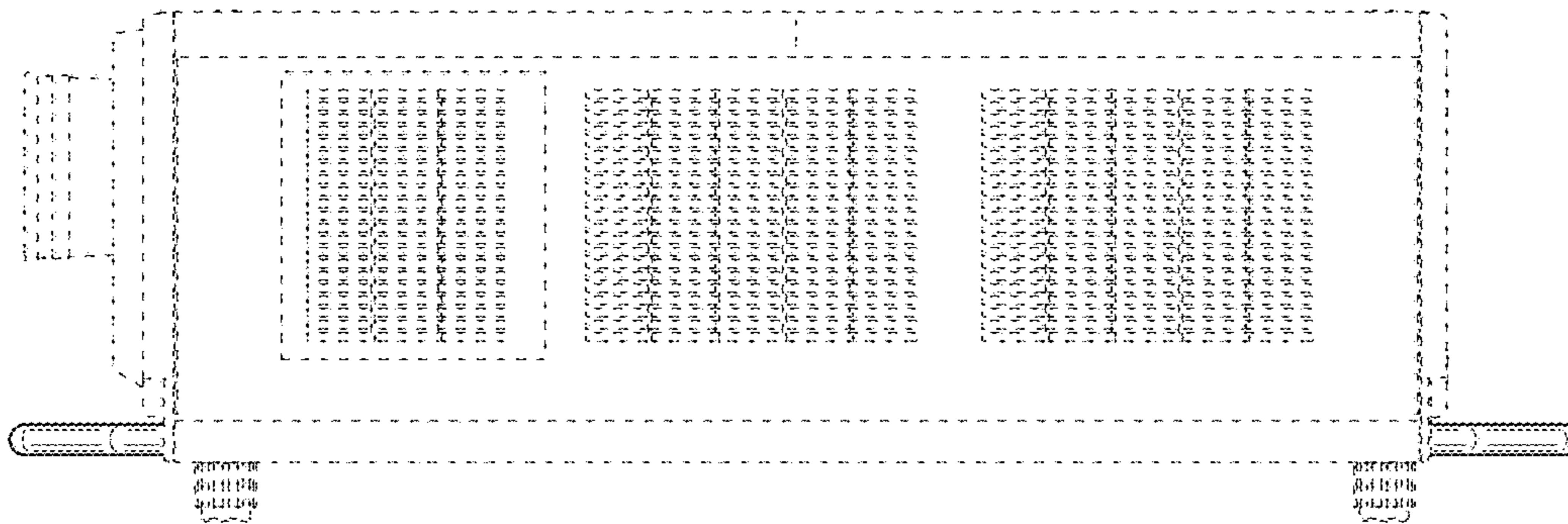


FIG. 7

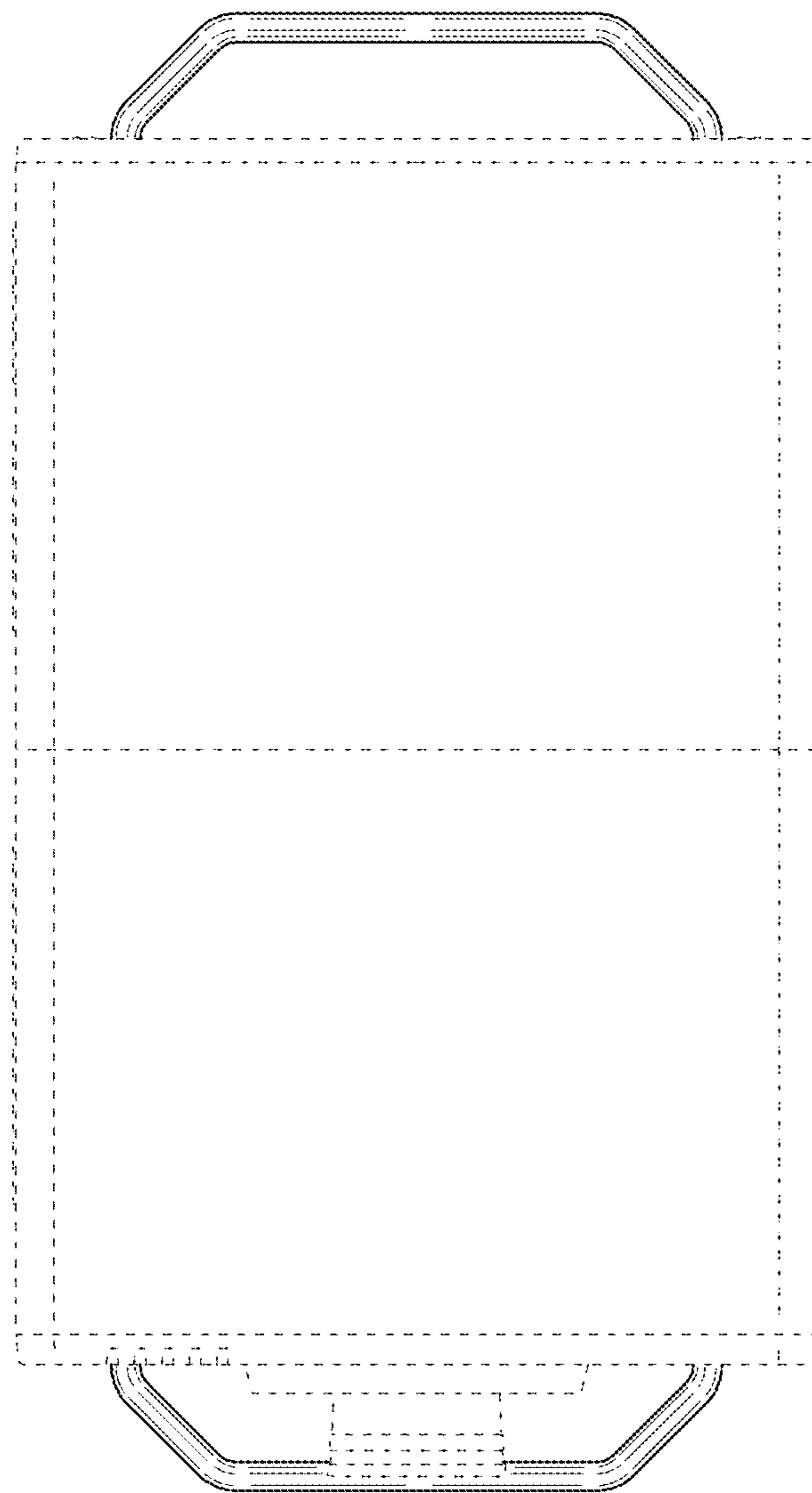




FIG. 8

