



US00D803927S

(12) **United States Design Patent** (10) **Patent No.:** **US D803,927 S**
Kimura et al. (45) **Date of Patent:** **** Nov. 28, 2017**

(54) **PROJECTOR**

D615,575 S * 5/2010 Inoue D16/225
D631,080 S * 1/2011 Han D16/225
D659,737 S * 5/2012 Inoue D16/225
D664,585 S * 7/2012 Senda D16/225

(71) Applicant: **Hitachi Maxell, Ltd.**, Ibaraki-shi, Osaka (JP)

(72) Inventors: **Shigetaka Kimura**, Tokyo (JP); **Shinji Shibuya**, Tokyo (JP); **Takeshi Saito**, Osaka (JP); **Hidemi Yamada**, Osaka (JP)

(73) Assignee: **Hitachi Maxell, Ltd.**, Ibaraki-shi (JP)

(**) Term: **15 Years**

(21) Appl. No.: **29/584,822**

(22) Filed: **Nov. 17, 2016**

(30) **Foreign Application Priority Data**

Jun. 3, 2016 (JP) 2016-011894

(51) **LOC (10) Cl.** **16-02**

(52) **U.S. Cl.**
USPC **D16/230; D16/225**

(58) **Field of Classification Search**
USPC D16/221, 225, 230–231, 234–235; D21/514
CPC G03B 21/145; G03B 21/14; G03B 21/00; G03B 21/001; G03B 21/003; G03B 21/12; G03B 21/16
See application file for complete search history.

(56) **References Cited**

U.S. PATENT DOCUMENTS

D555,185 S * 11/2007 Nozue D16/225
D591,784 S * 5/2009 Inoue D16/230

FOREIGN PATENT DOCUMENTS

JP D1554178 * 2/2016

* cited by examiner

Primary Examiner — Wan Laymon

(74) *Attorney, Agent, or Firm* — Crowell & Moring LLP

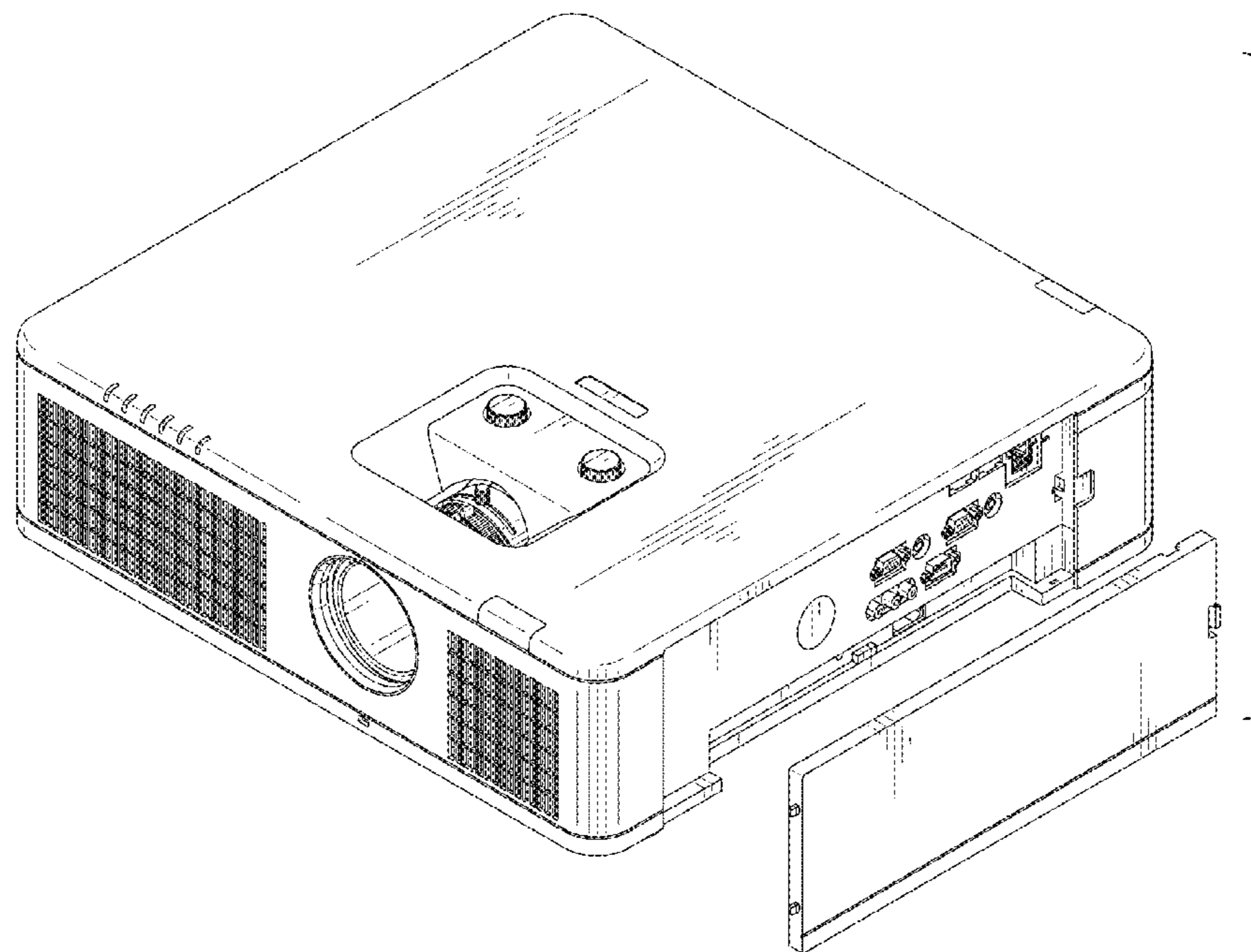
(57) **CLAIM**

The ornamental design for a projector, as shown and described.

DESCRIPTION

FIG. 1 is a front, top and right side perspective view of a projector according to the design;
FIG. 2 is a front elevational view thereof;
FIG. 3 is a top plan view thereof;
FIG. 4 is a right side elevational view thereof;
FIG. 5 is a left side elevational view thereof;
FIG. 6 is a rear elevational view thereof;
FIG. 7 is a bottom plan view thereof; and,
FIG. 8 is an exploded perspective view thereof with a terminal cover being removed.

1 Claim, 4 Drawing Sheets



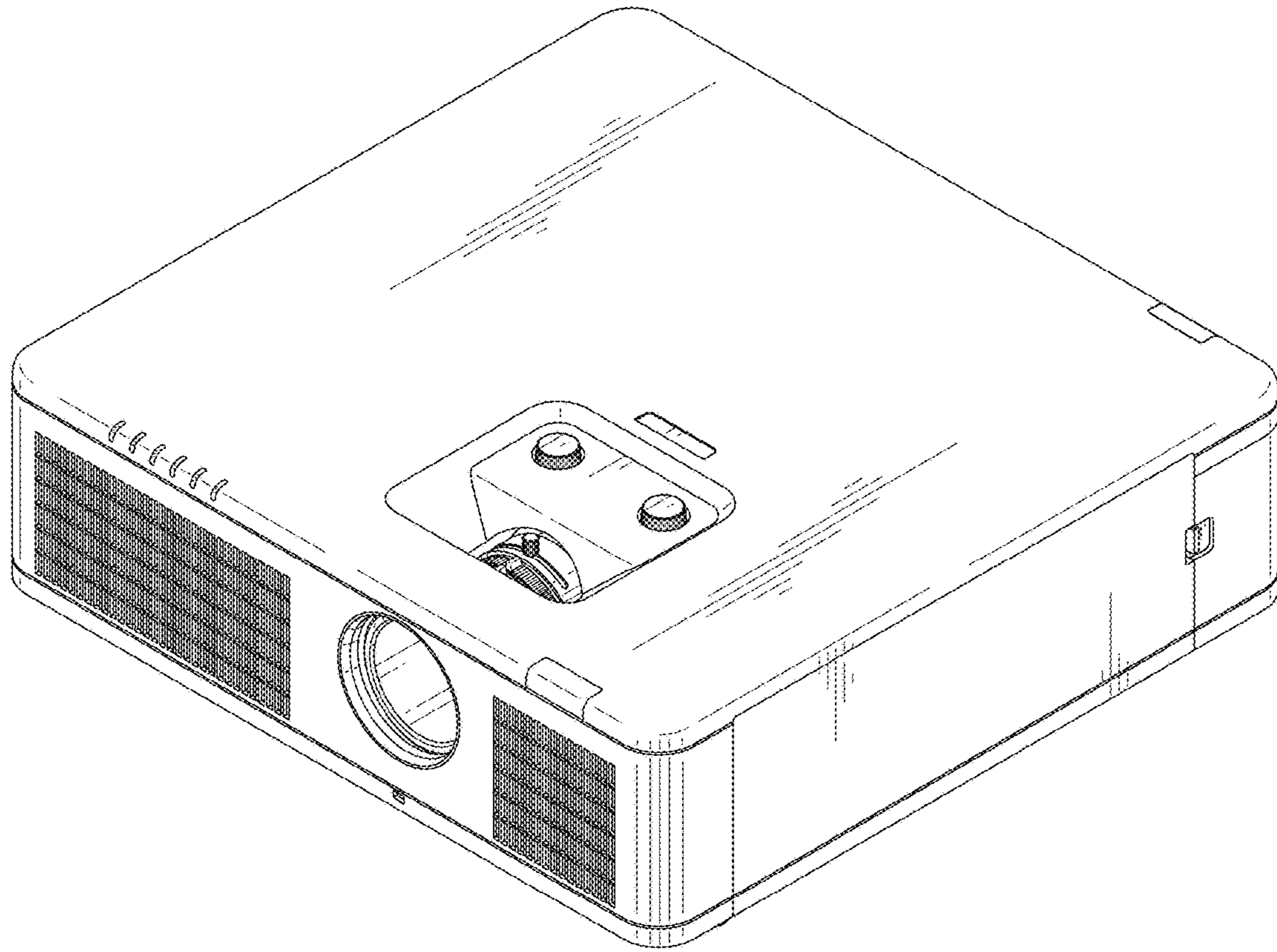


FIG. 1

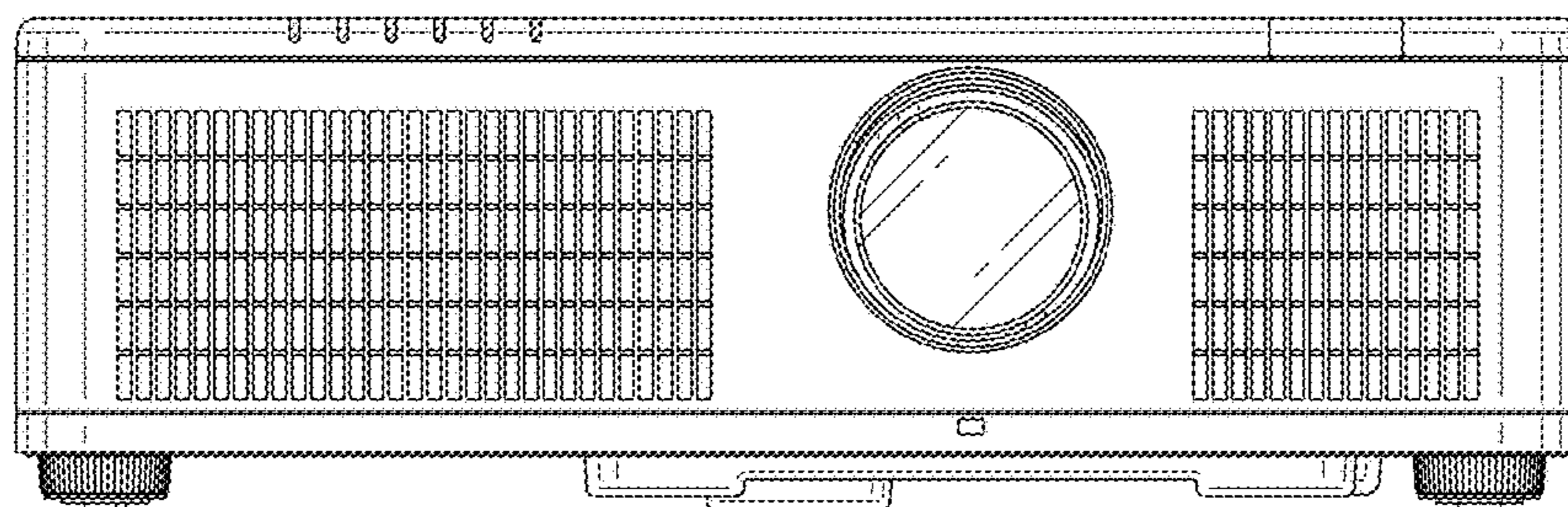


FIG. 2

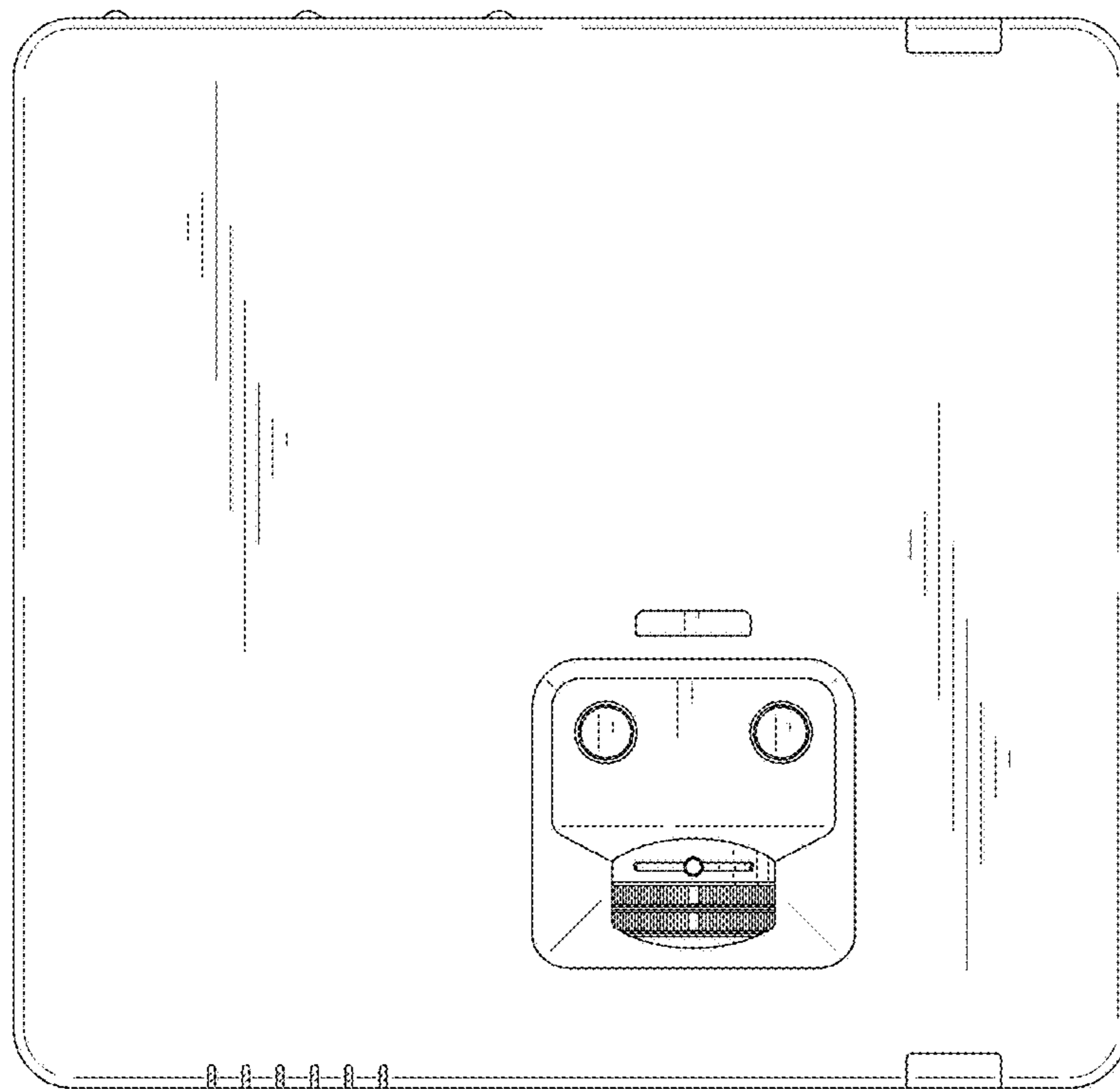


FIG. 3

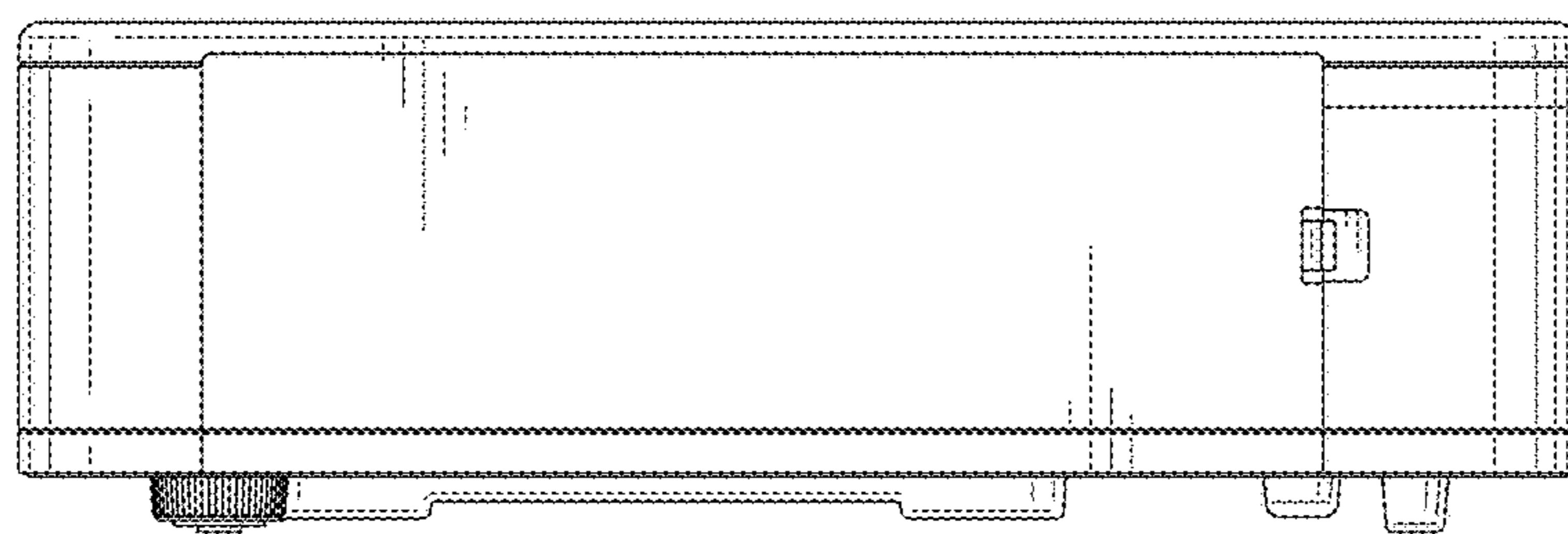


FIG. 4

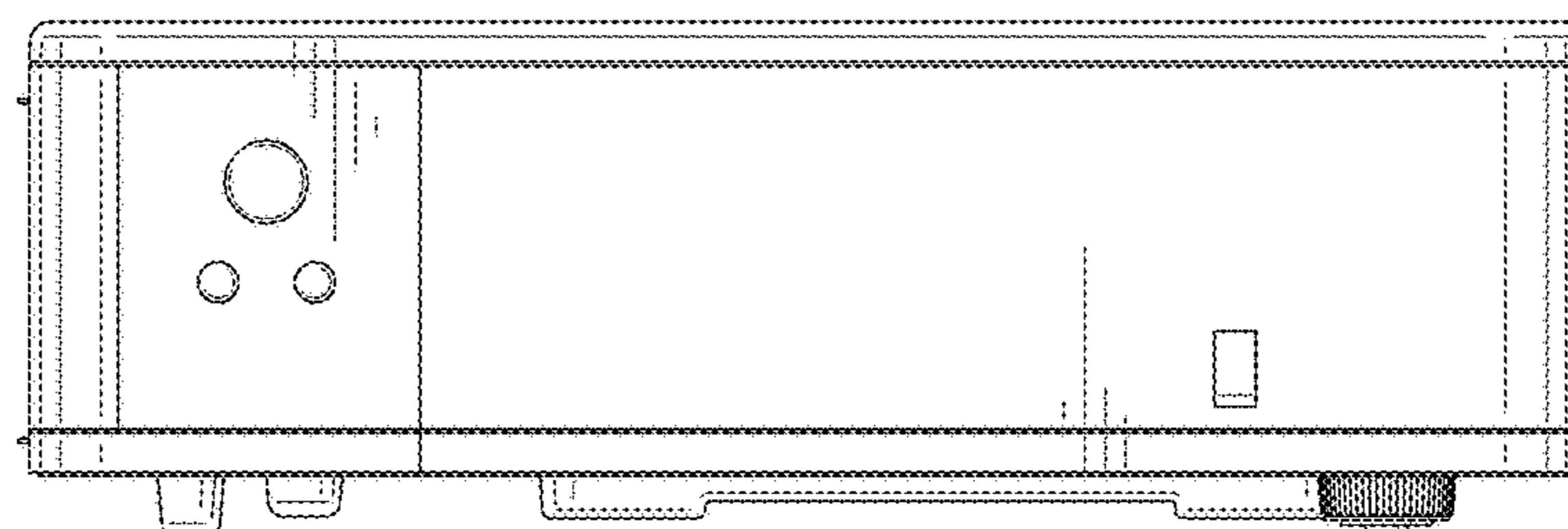


FIG. 5

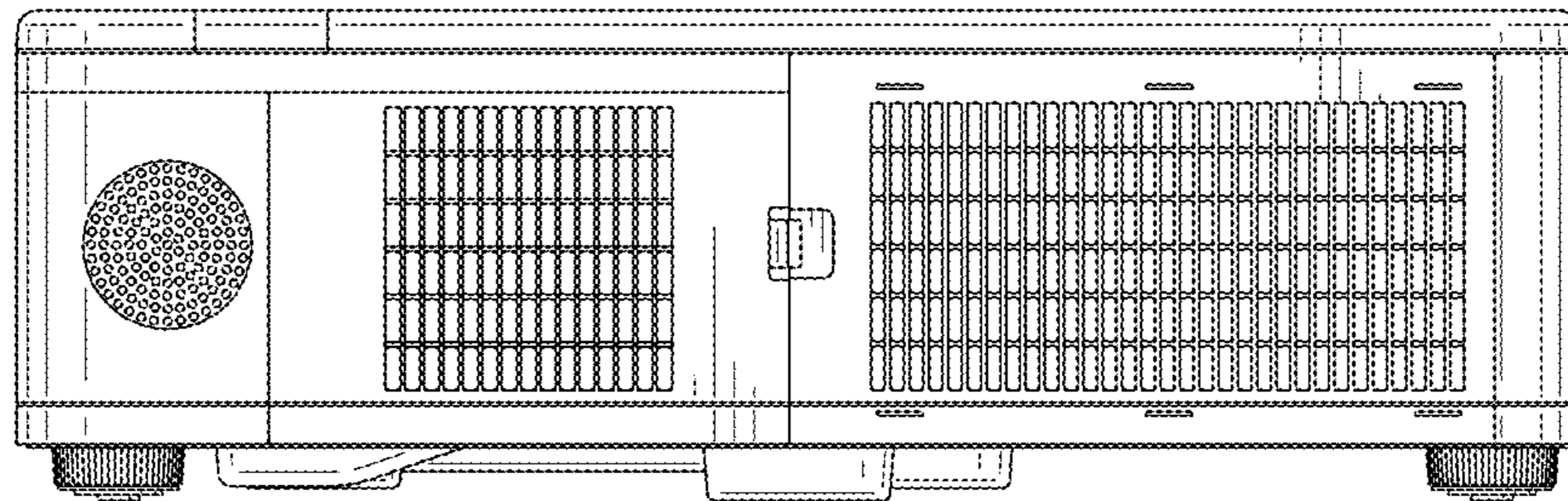


FIG. 6

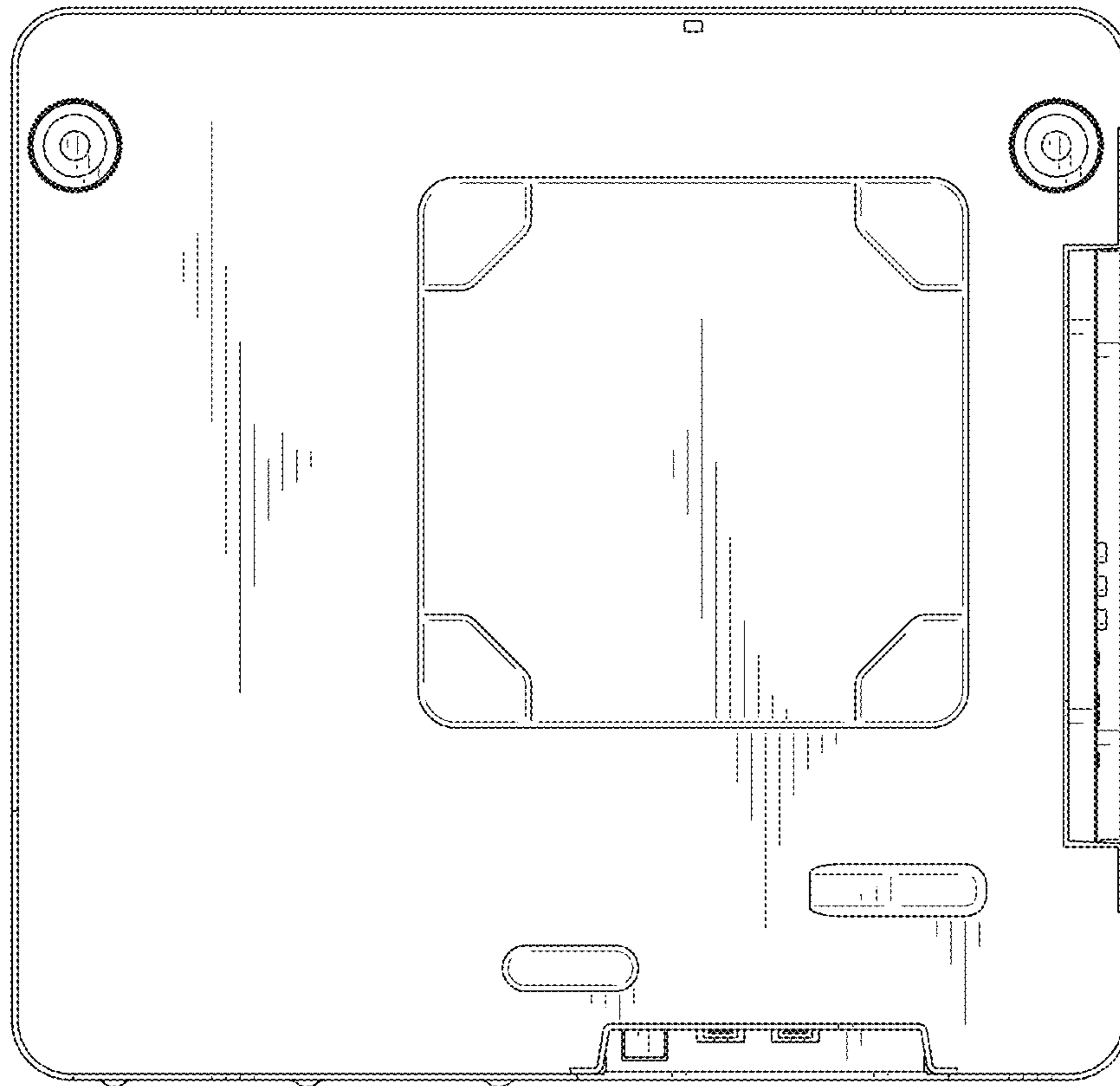


FIG. 7

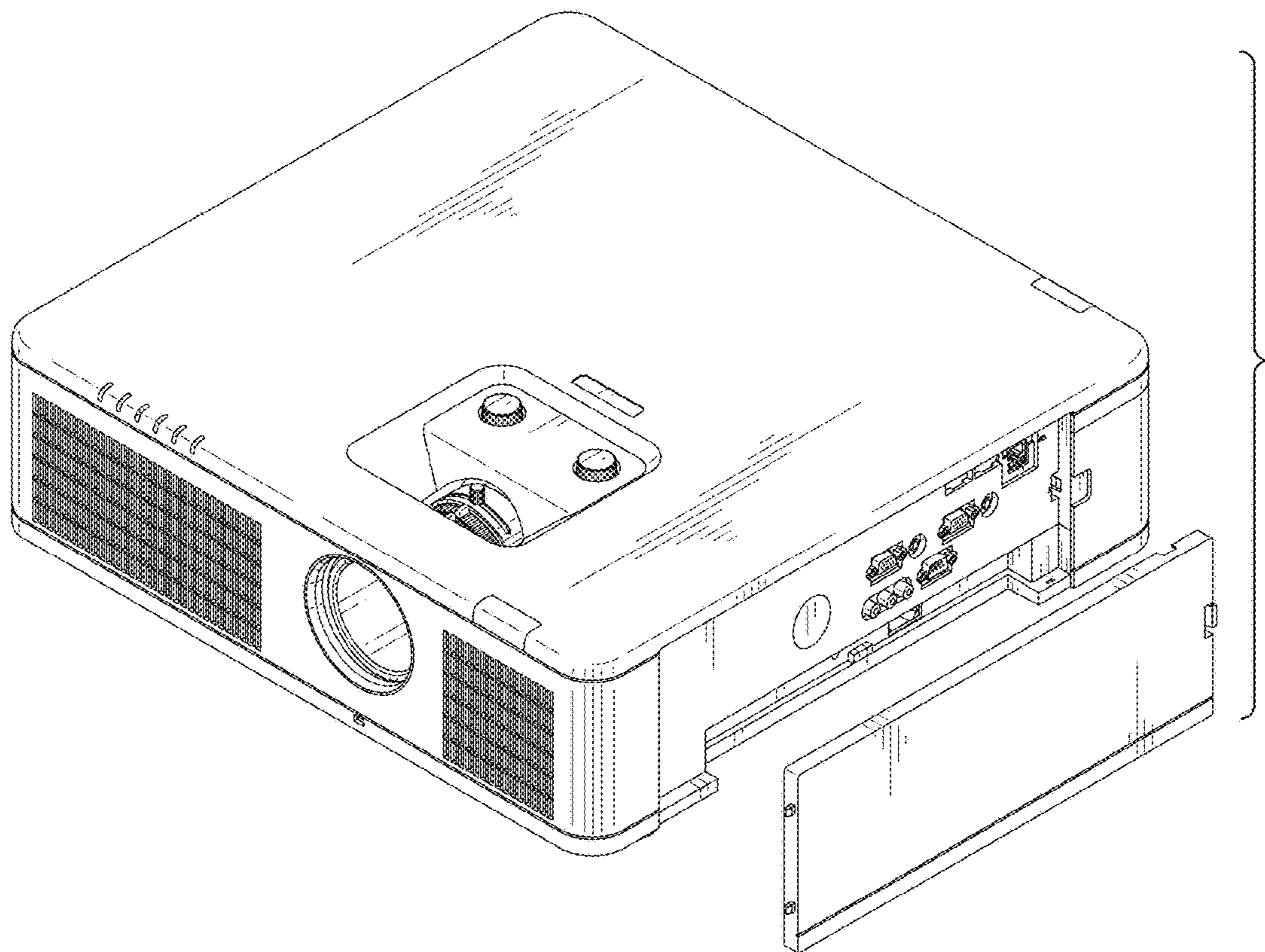


FIG. 8