



US00D803926S

(12) **United States Design Patent**
Katori et al.

(10) **Patent No.:** **US D803,926 S**
(45) **Date of Patent:** **** Nov. 28, 2017**

(54) **SURVEILLANCE CAMERA**

(71) Applicant: **Panasonic Corporation**, Kadoma-shi, Osaka (JP)

(72) Inventors: **Takehito Katori**, Kyoto (JP); **Yasuki Yamakawa**, Kanagawa (JP)

(73) Assignee: **PANASONIC INTELLECTUAL PROPERTY MANAGEMENT CO., LTD.**, Osaka (JP)

(**) Term: **14 Years**

(21) Appl. No.: **29/495,918**

(22) Filed: **Jul. 7, 2014**

(30) **Foreign Application Priority Data**

Jan. 9, 2014 (JP) 2014-000180

(51) **LOC (10) Cl.** **16-05**

(52) **U.S. Cl.**
USPC **D16/219; D16/203**

(58) **Field of Classification Search**
USPC D16/200, 202–206, 218, 219, 242;
D13/180; 348/143, 148, 151, 373–376;
396/419, 427, 535, 539–541
CPC G03B 17/02; G03B 19/04; G03B 17/56;
G03B 17/04; G03B 15/03; H04N 5/2251;
H04N 5/2252; H04N 5/2253; H04N
5/2254; H04N 7/181; H04N 7/183; H04N
7/18; G08B 13/1963; G08B 13/19619;
G08B 13/19632; F16M 11/04; F16M
13/00

See application file for complete search history.

(56) **References Cited**

U.S. PATENT DOCUMENTS

5,394,184 A * 2/1995 Anderson G03B 17/55
348/151

D527,405 S * 8/2006 Kim D16/202

(Continued)

FOREIGN PATENT DOCUMENTS

JP D1192751 12/2003
JP D1222623 11/2004

(Continued)

OTHER PUBLICATIONS

News Release, 4 models including the world's smallest network camera "VB-S30D" released, Add a compact model suitable for various indoor surveillance and enhance lineup, *Canon Inc., Canon Marketing Japan Inc.*, <http://cweb.canon.jp/newsrelease/2013-09/pr-vbs30d.html>, Sep. 26, 2013, 3 pages.

Primary Examiner — Philip S Hyder

Assistant Examiner — Ramzi Almatrahi

(74) *Attorney, Agent, or Firm* — Brinks Gilson & Lione

(57) **CLAIM**

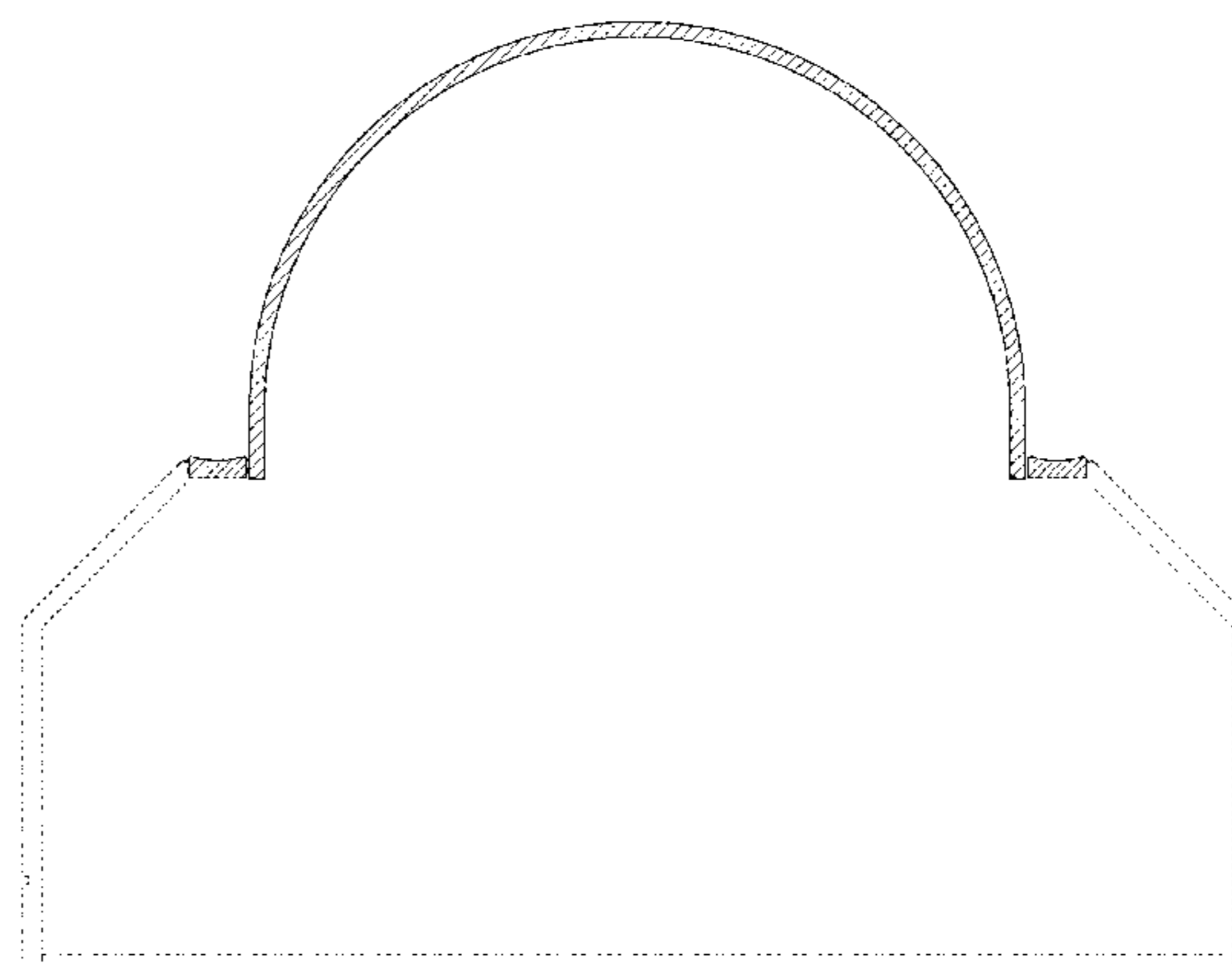
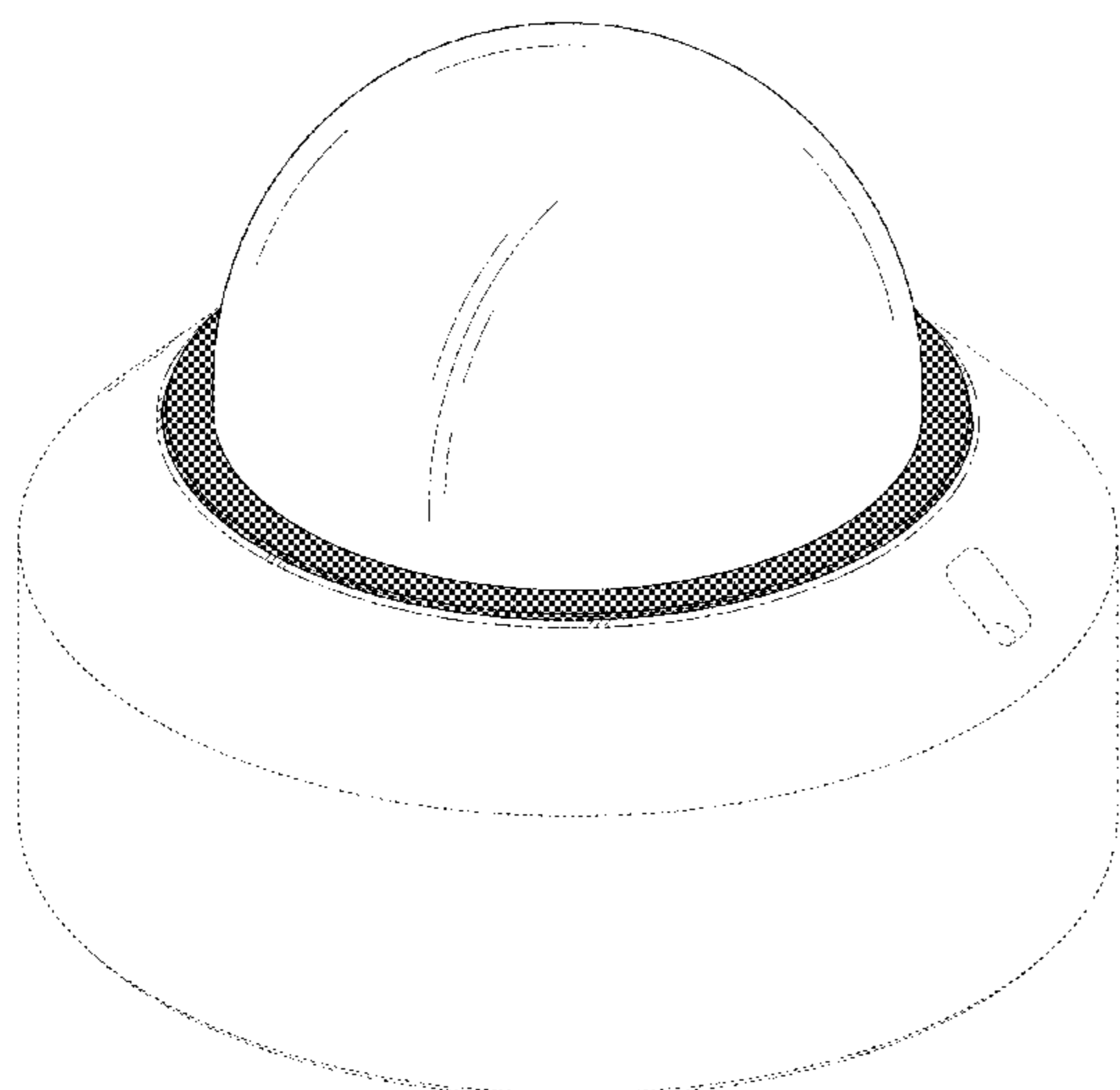
We claim the ornamental design for a surveillance camera, as shown and described.

DESCRIPTION

FIG. 1 is a front perspective view of a surveillance camera of the present invention;
FIG. 2 is a front view thereof;
FIG. 3 is a rear view thereof;
FIG. 4 is a first side view thereof;
FIG. 5 is a second side view thereof;
FIG. 6 is a top view thereof;
FIG. 7 is a bottom view thereof; and,
FIG. 8 is a cross-section view taken along the line 8-8 of FIG. 2.

The broken lines depict portions of the surveillance camera in which the design is embodied that form no part of the claimed design. Additionally, the dot-dash lines denote the boundary of the claim and form no part of the claimed design. The dark gray surface shading in FIGS. 1-6 represents the color black.

1 Claim, 8 Drawing Sheets



(56)

References Cited

U.S. PATENT DOCUMENTS

D556,235	S	11/2007	Todd et al.	
D556,236	S *	11/2007	Kim	D16/202
D558,248	S	12/2007	Togawa et al.	
7,306,383	B2 *	12/2007	Jones	G08B 13/19619 348/373
D560,244	S *	1/2008	Naruki	D16/203
D575,810	S *	8/2008	Alm	D16/203
D584,756	S	1/2009	Yamakawa	
D592,159	S *	5/2009	Ono	D13/180
D598,871	S *	8/2009	Eberle	D13/180
D628,225	S	11/2010	Deurwaarder	
D644,677	S *	9/2011	Park	D16/203
D647,553	S *	10/2011	Park	D16/203
D676,478	S	2/2013	Uehara	
D701,258	S *	3/2014	Huang	D16/203
8,764,318	B2 *	7/2014	Wada	H04N 5/2252 348/143
2005/0007488	A1 *	1/2005	Arbuckle	H04N 5/2251 348/375
2006/0023113	A1 *	2/2006	Lin	G08B 13/1963 348/373
2013/0342911	A1 *	12/2013	Bartol	E04D 13/03 359/598
2014/0333774	A1 *	11/2014	Hsu	H04N 5/2251 348/159

FOREIGN PATENT DOCUMENTS

JP	D1343670	11/2008
JP	D1369678	9/2009
JP	2012-156582 A	8/2012

* cited by examiner

FIG. 1

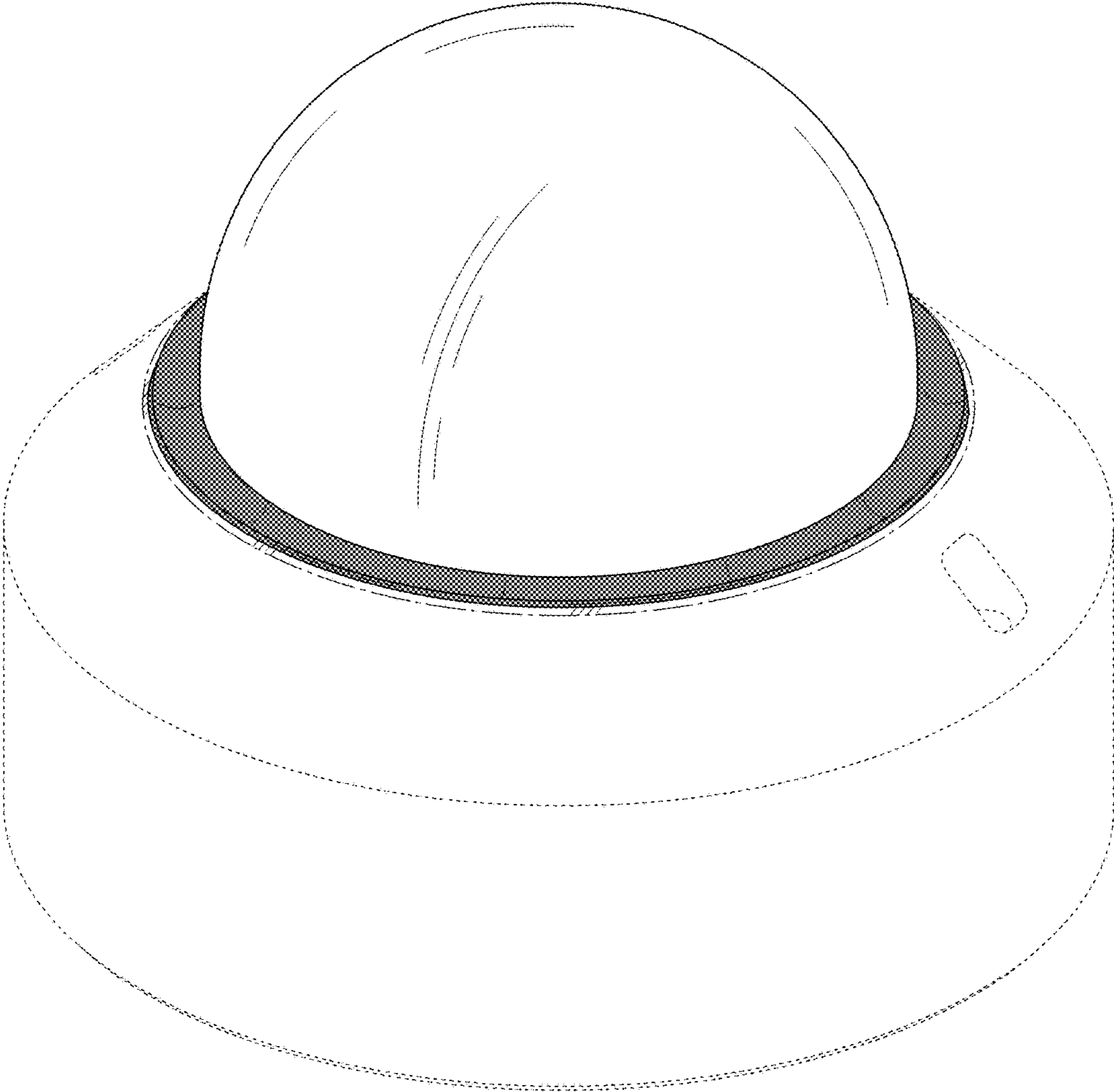


FIG. 2

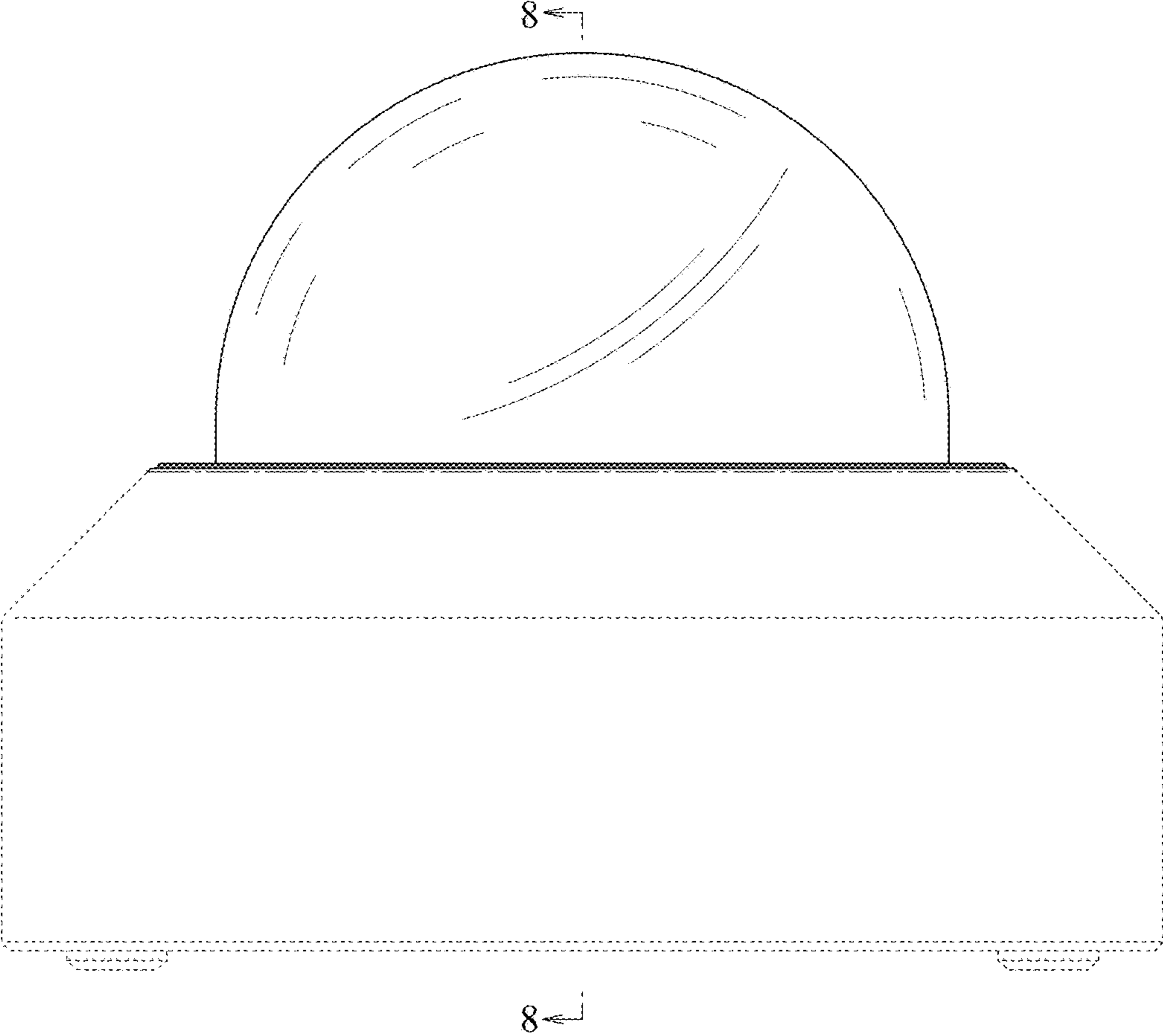


FIG. 3

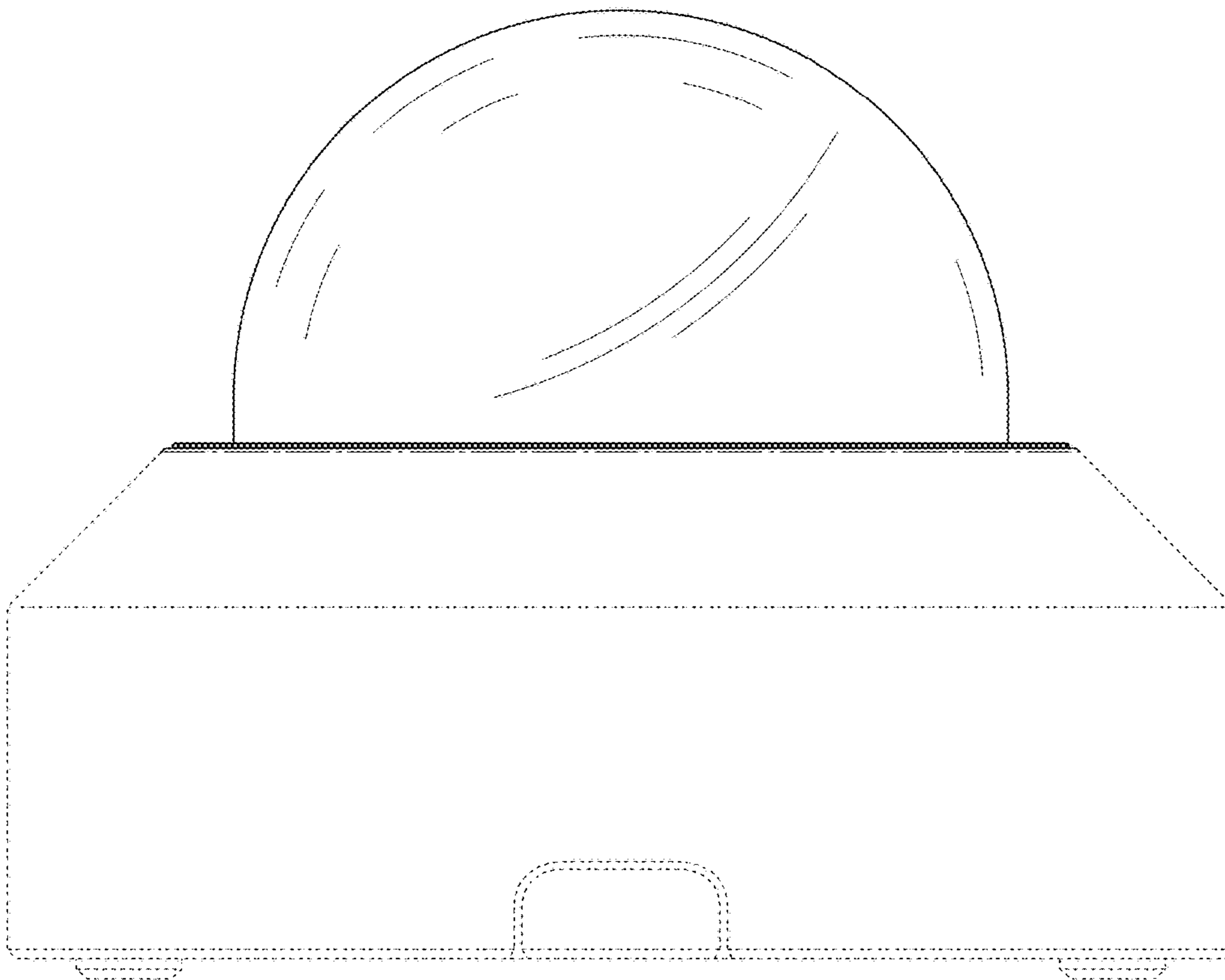


FIG. 4

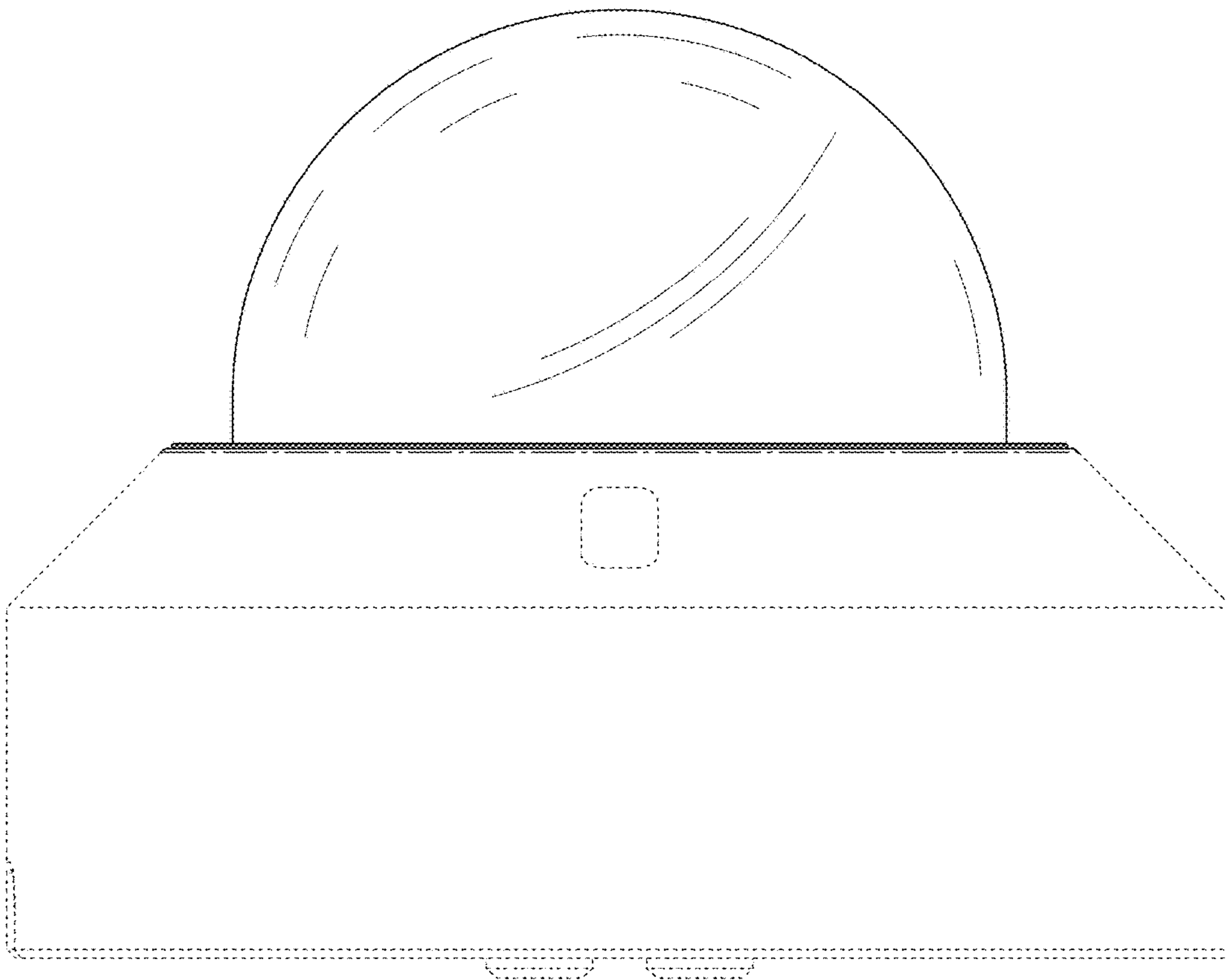


FIG. 5

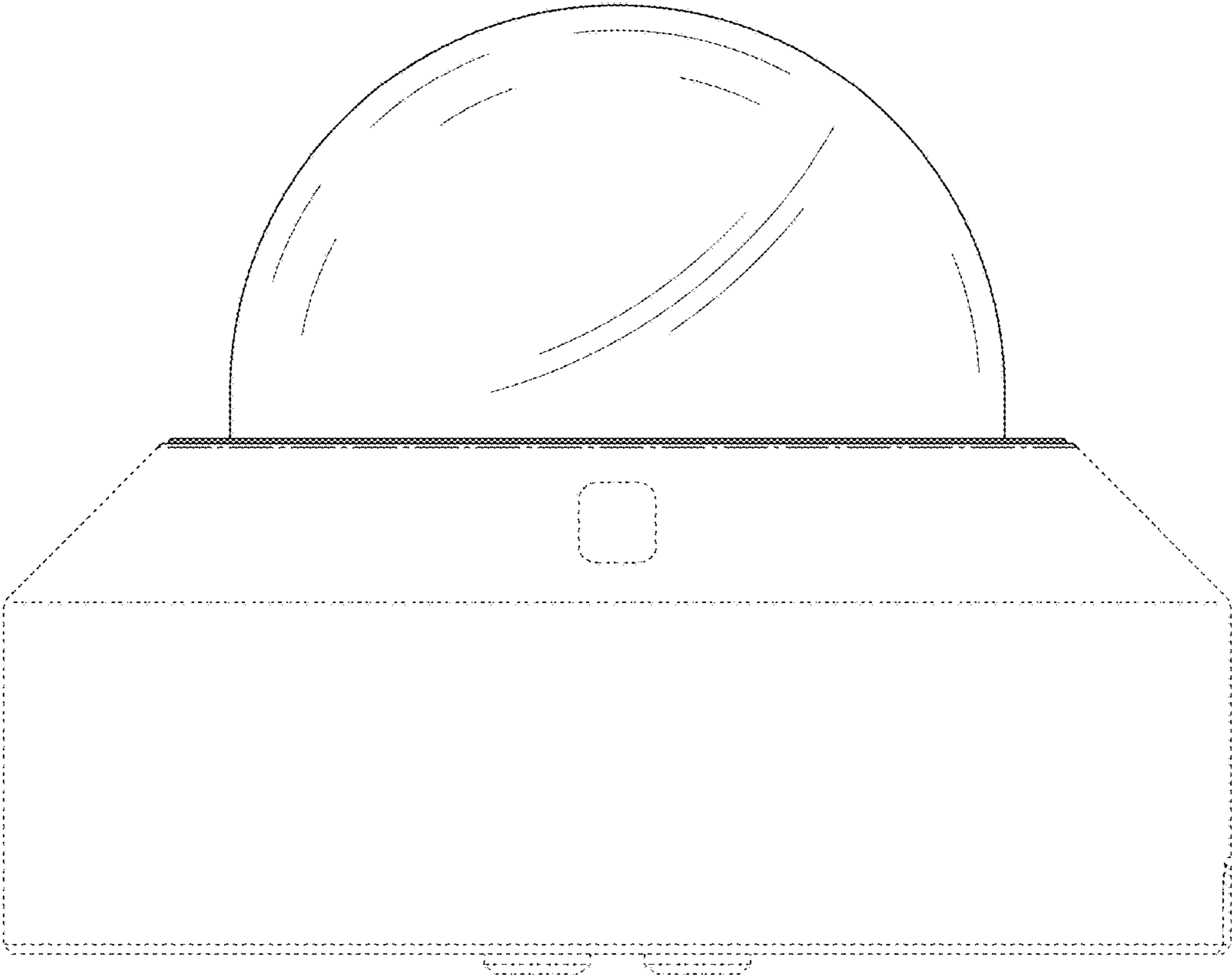


FIG. 6

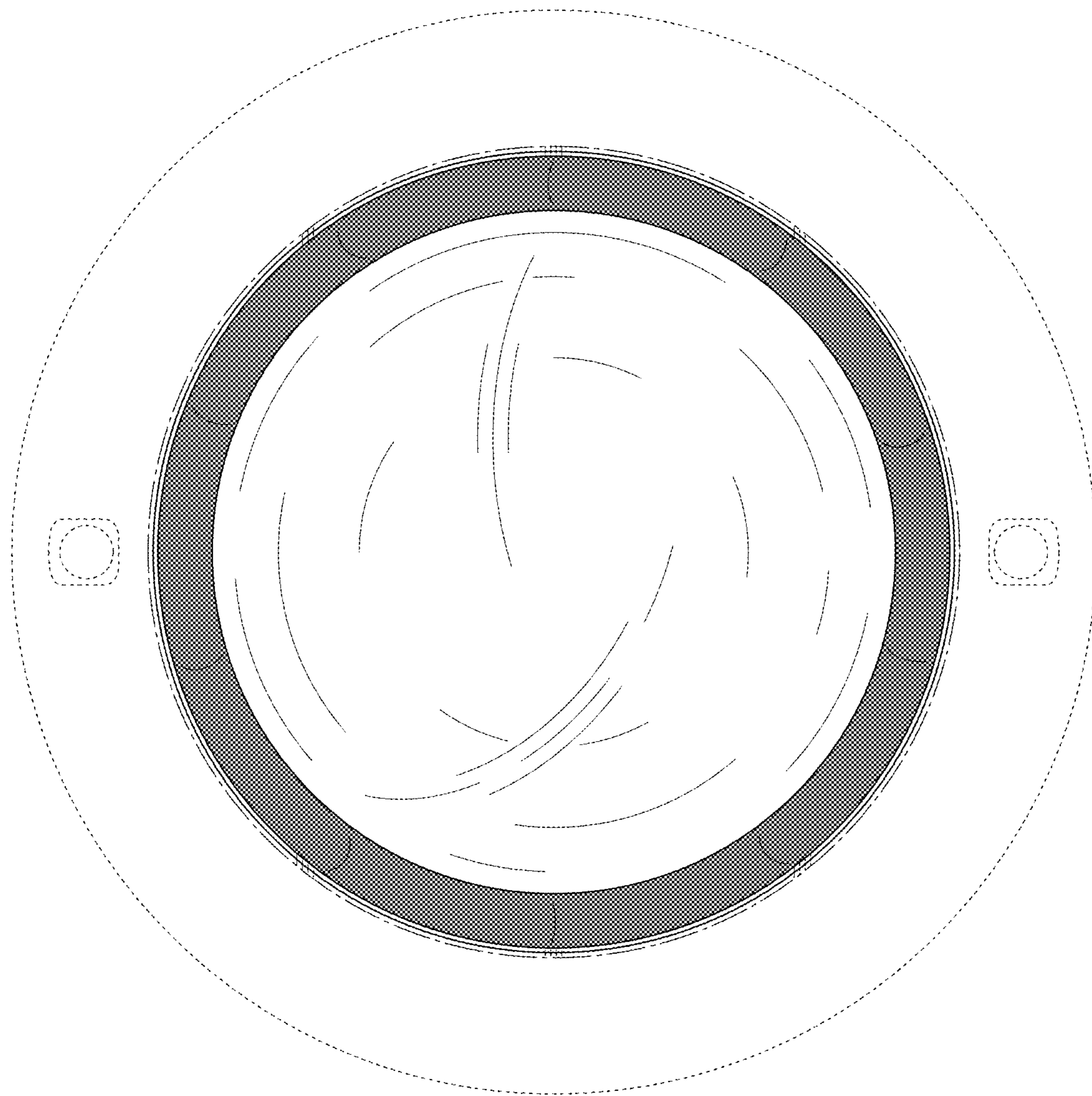


FIG. 7

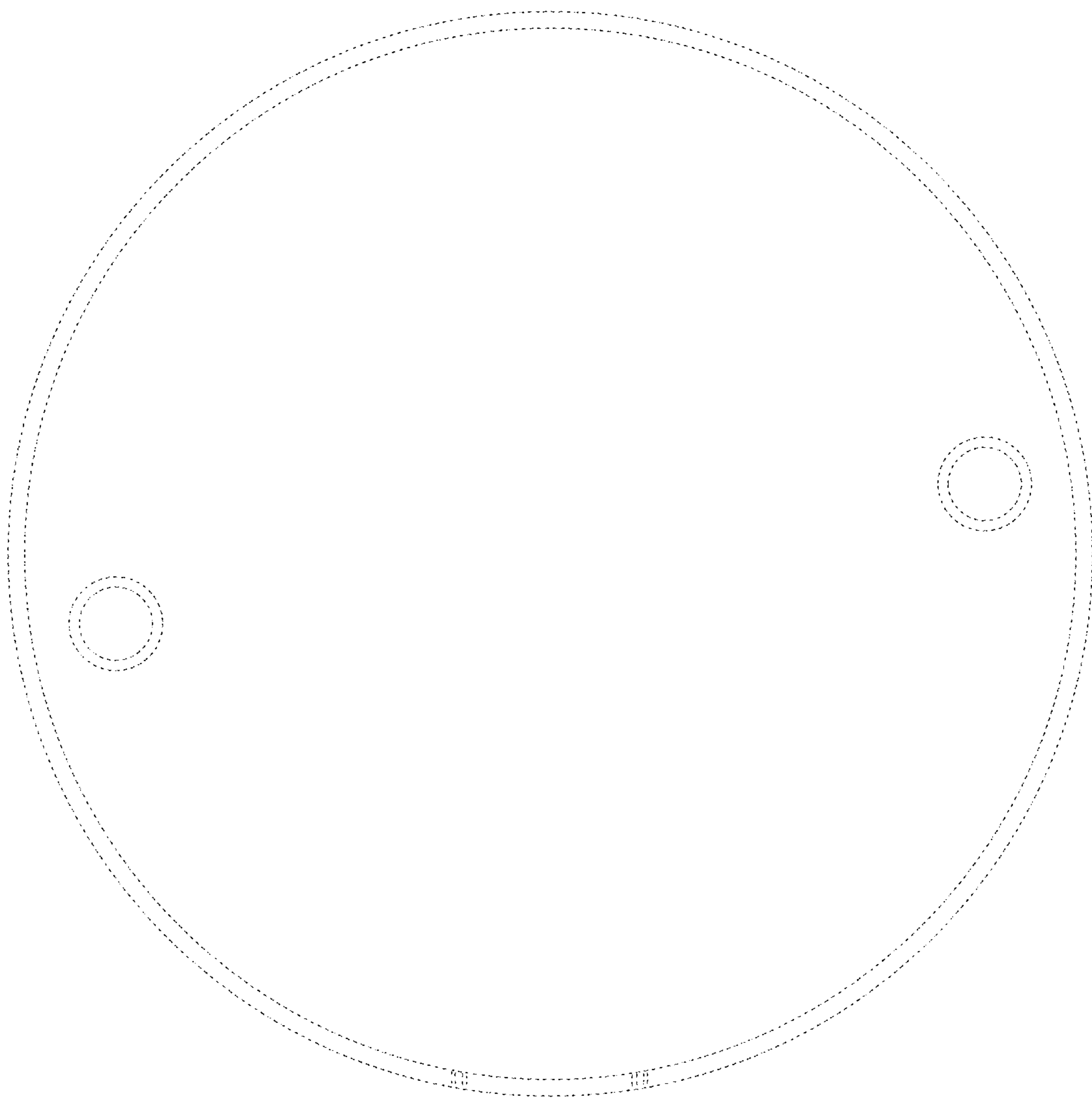


FIG.8

