



US00D803925S

(12) **United States Design Patent**
Hoshi et al.

(10) **Patent No.:** **US D803,925 S**

(45) **Date of Patent:** **** Nov. 28, 2017**

(54) **DIGITAL CAMERA**

(71) Applicant: **Nikon Corporation**, Tokyo (JP)

(72) Inventors: **Tomohiro Hoshi**, Tokyo (JP); **Chikara Fujita**, Tokyo (JP)

(73) Assignee: **Nikon Corporation**, Tokyo (JP)

(**) Term: **15 Years**

(21) Appl. No.: **29/569,143**

(22) Filed: **Jun. 23, 2016**

(30) **Foreign Application Priority Data**

Dec. 25, 2015 (JP) 2015-029010
Dec. 25, 2015 (JP) 2015-029011

(51) **LOC (10) Cl.** **16-01**

(52) **U.S. Cl.**
USPC **D16/218**

(58) **Field of Classification Search**
USPC D16/200, 202–206, 208, 218, 219;
348/373–376; 396/535, 539–541
CPC G03B 15/03; G03B 17/02; G03B 17/04;
G03B 17/56; G03B 19/04; H04N 5/2251;
H04N 5/2252; H04N 5/2253; H04N
5/2254; H04N 2101/00
See application file for complete search history.

(56) **References Cited**

U.S. PATENT DOCUMENTS

6,788,887 B2 * 9/2004 Takeshita G03B 17/06
396/286
D504,904 S * 5/2005 Nagai D16/203
D721,395 S * 1/2015 Woodman D16/218
D725,169 S * 3/2015 Gioscia D16/200

D744,572 S * 12/2015 Tabuchi D16/218
D750,686 S * 3/2016 Chen D16/218
9,282,226 B2 * 3/2016 Samuels G03B 17/02
D754,768 S * 4/2016 Patulski D16/202
D755,270 S * 5/2016 Vehlewald D16/202
D760,309 S * 6/2016 Parfitt D16/202
D769,346 S * 10/2016 Nguyen D16/218
D773,546 S * 12/2016 Nguyen D16/218
D777,232 S * 1/2017 Lillquist D16/202

FOREIGN PATENT DOCUMENTS

JP 1214381 S 8/2004

* cited by examiner

Primary Examiner — Philip S Hyder

Assistant Examiner — Ramzi Almatrahi

(74) *Attorney, Agent, or Firm* — Wolf, Greenfield & Sacks, P.C.

(57) **CLAIM**

The ornamental design for a digital camera, as shown and described.

DESCRIPTION

FIG. 1 is a front, top and right side perspective view of a digital camera showing our new design;
FIG. 2 is a rear, bottom and left side perspective view thereof;
FIG. 3 is a front elevational view thereof;
FIG. 4 is a rear elevational view thereof;
FIG. 5 is a top plan view thereof;
FIG. 6 is a bottom plan view thereof;
FIG. 7 is a right side elevational view thereof; and,
FIG. 8 is a left side elevational view thereof.
The broken lines illustrate portions of the digital camera and form no part of the claimed design.

1 Claim, 8 Drawing Sheets

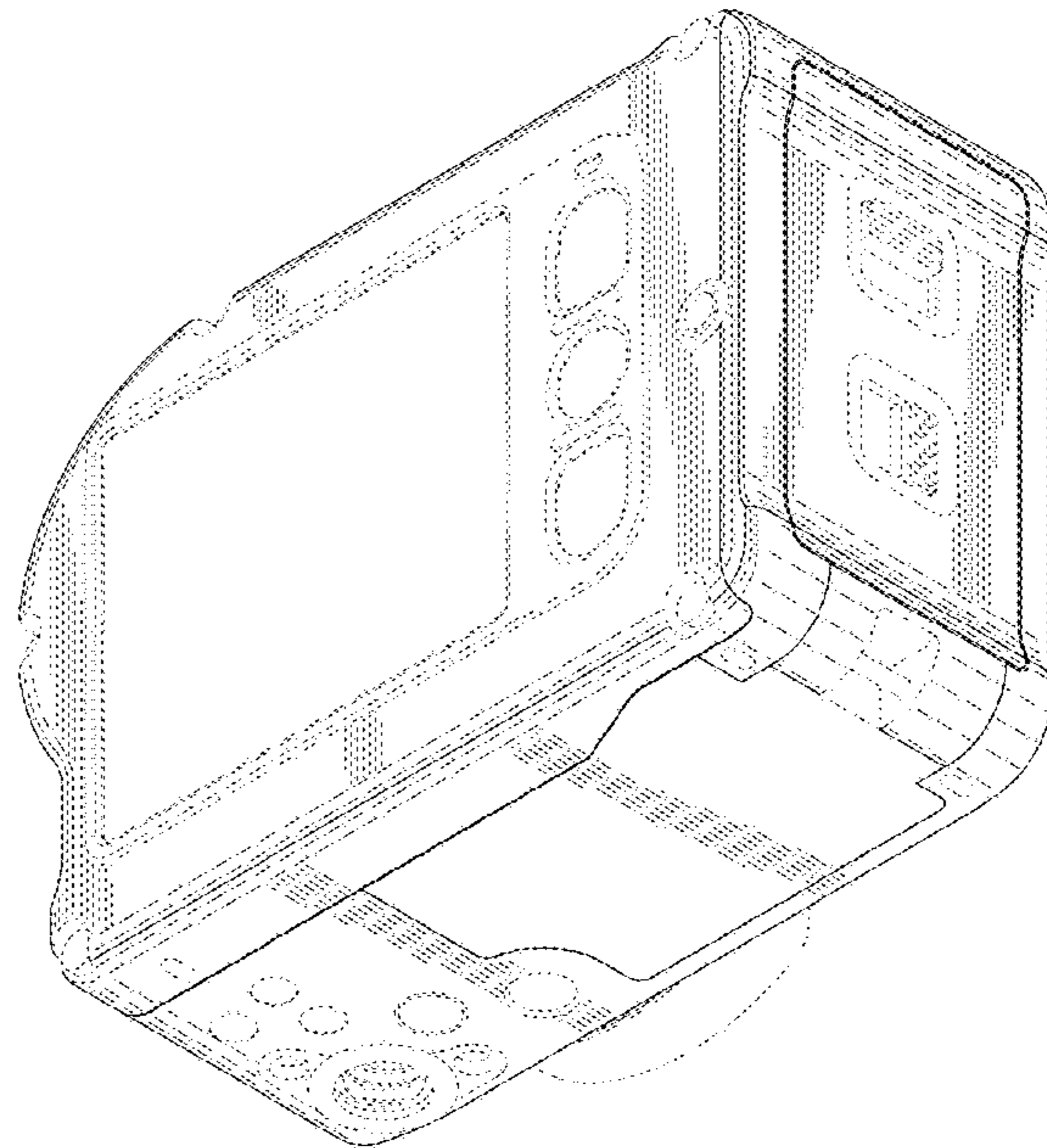
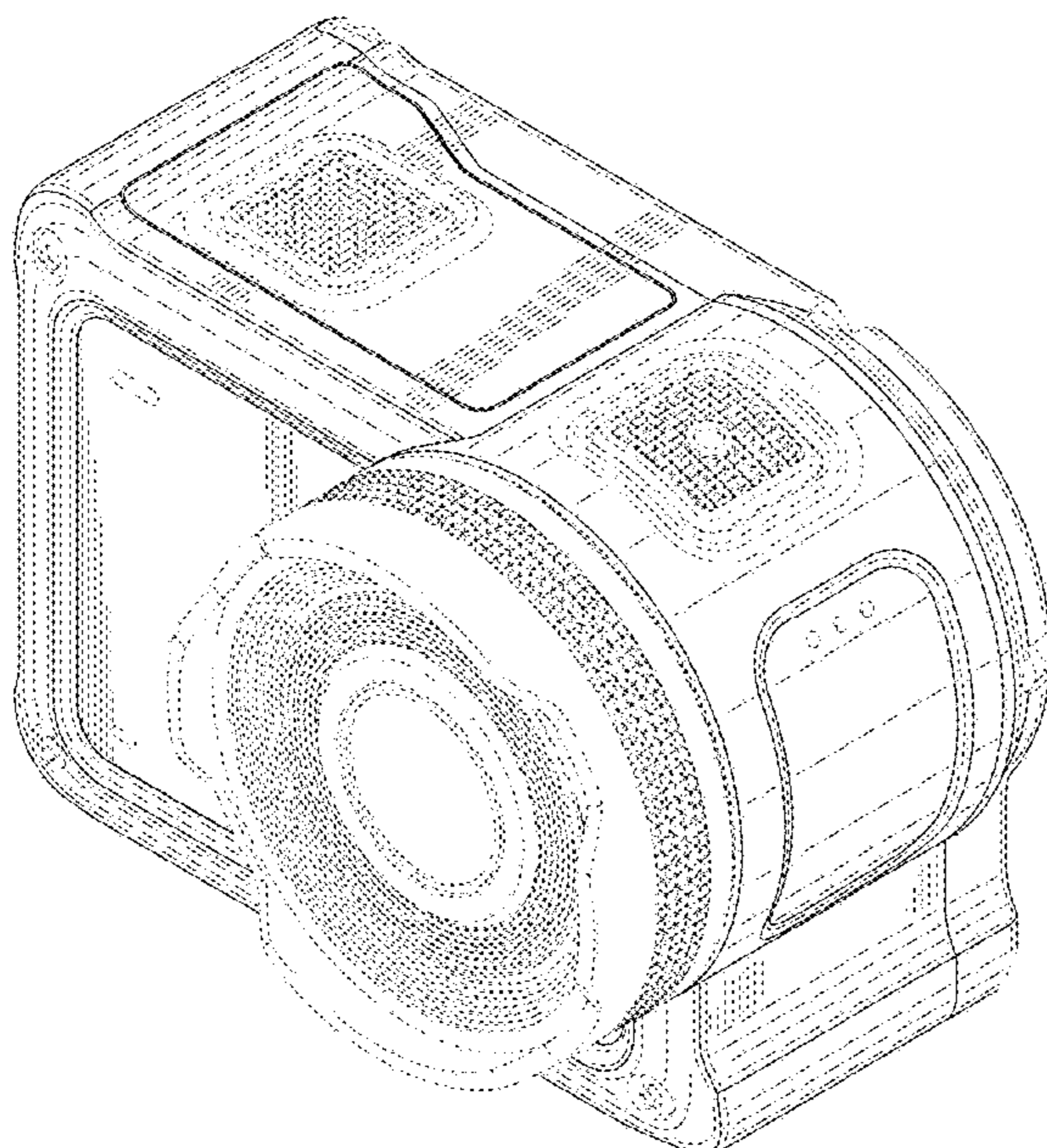


FIG. 1

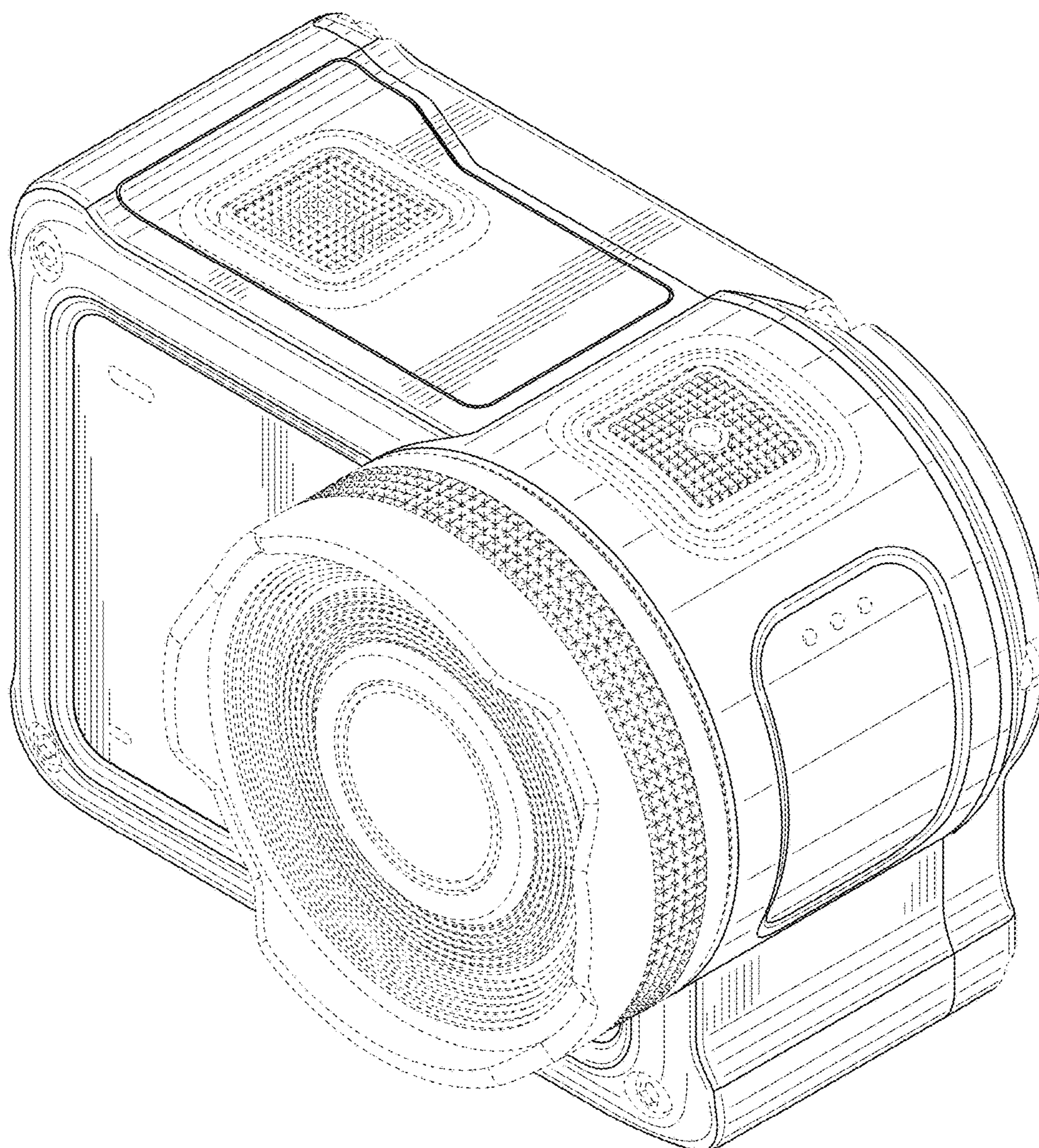


FIG. 2

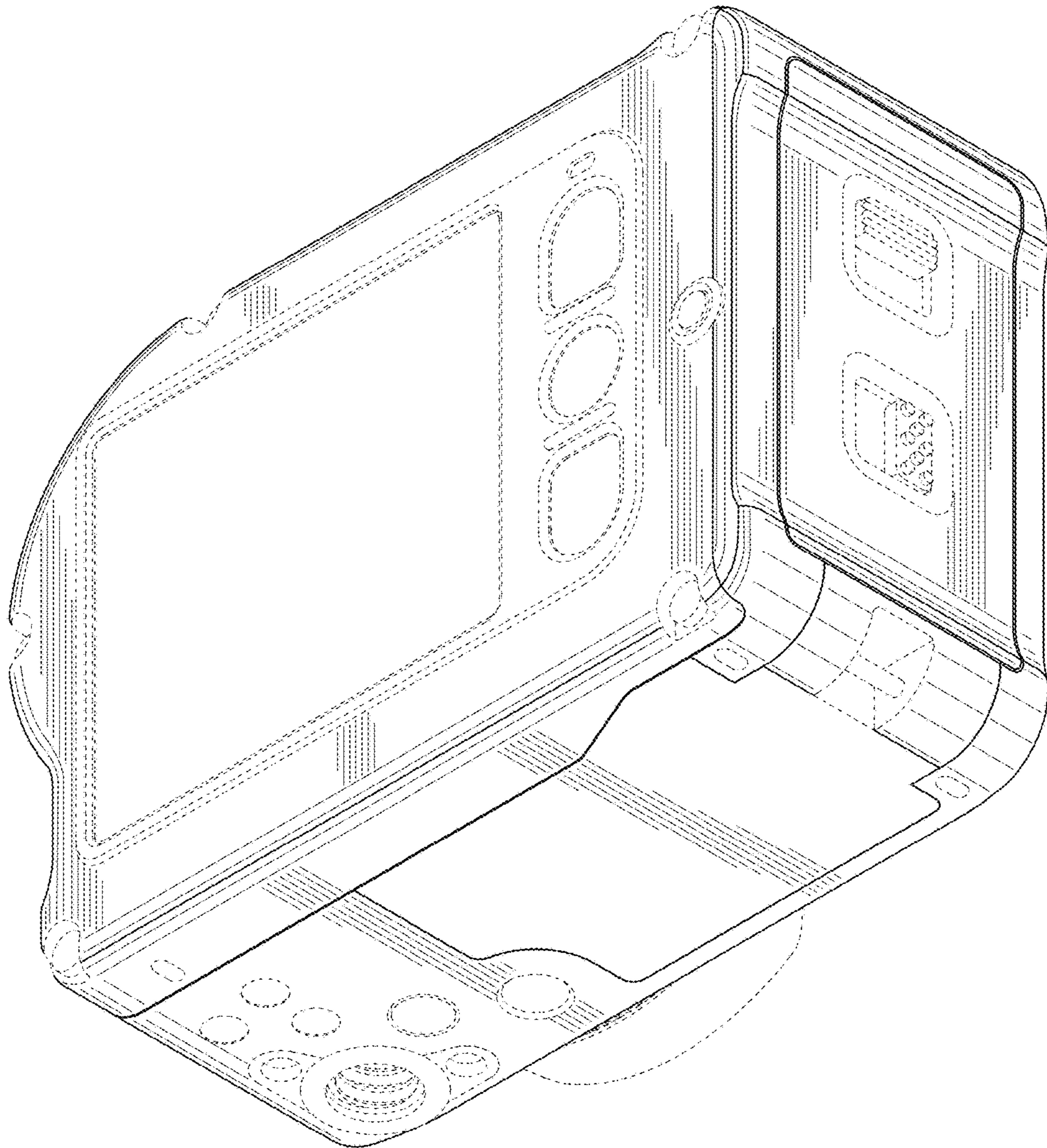


FIG. 3

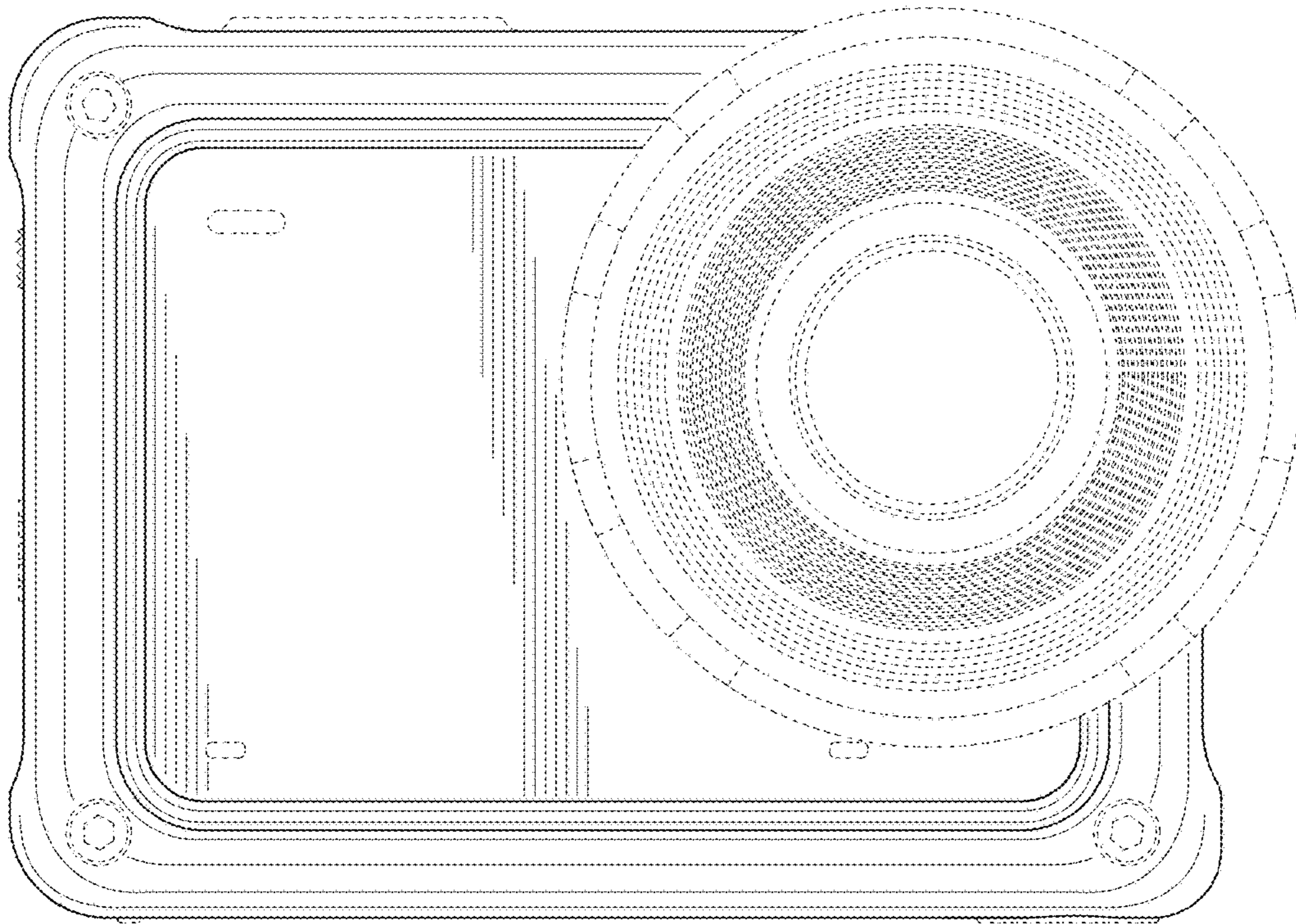


FIG. 4

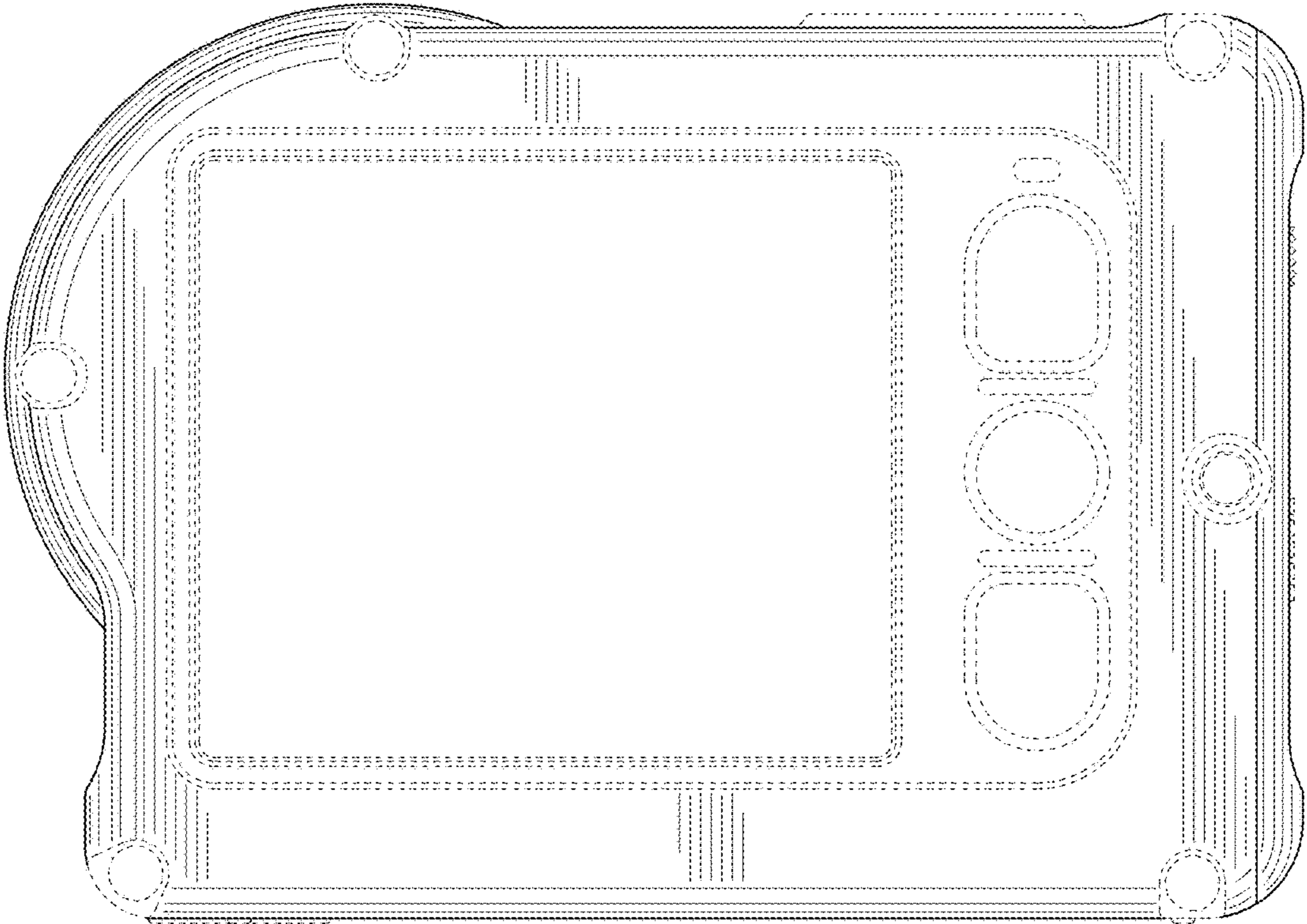


FIG. 5

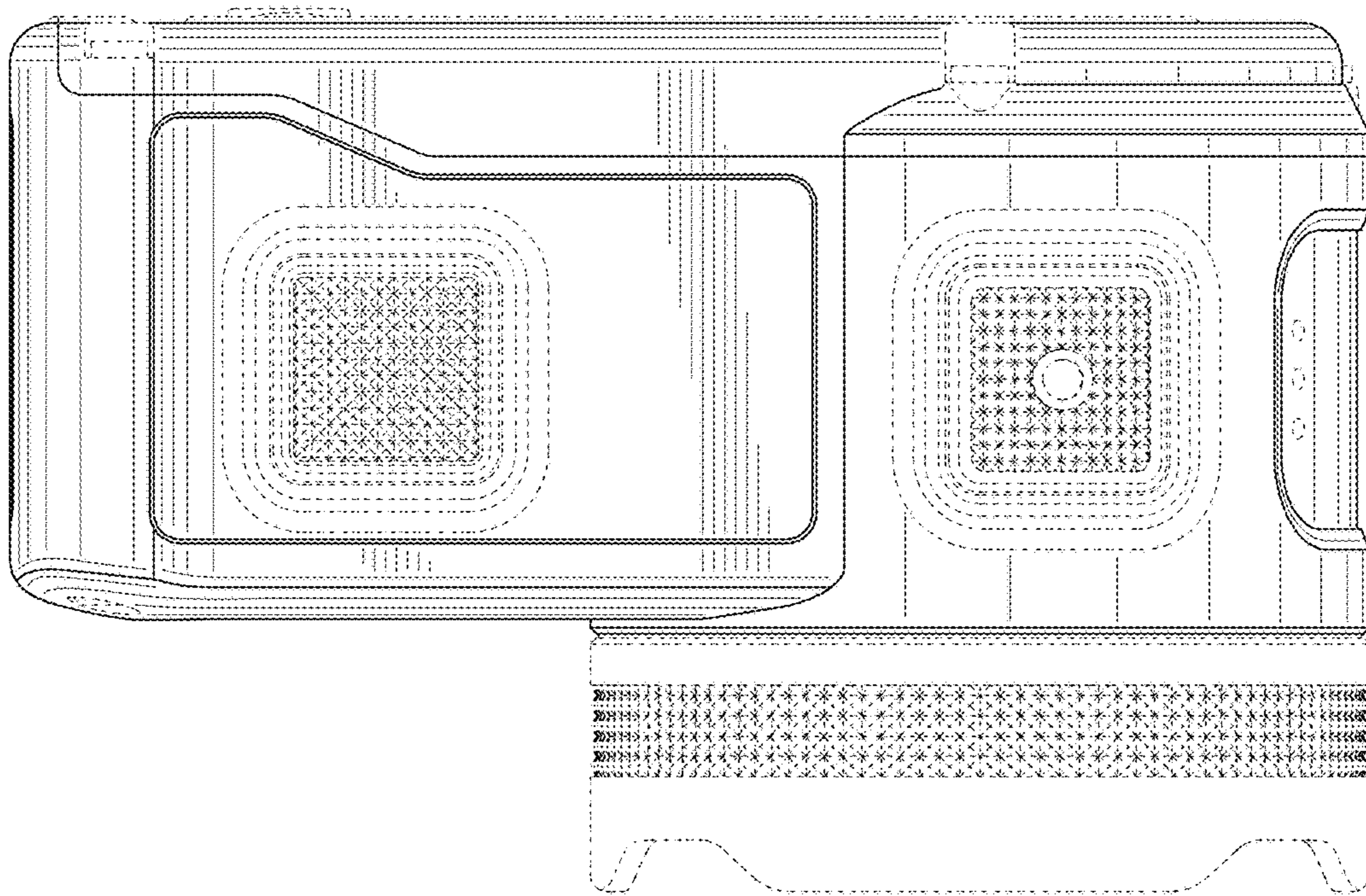


FIG. 6

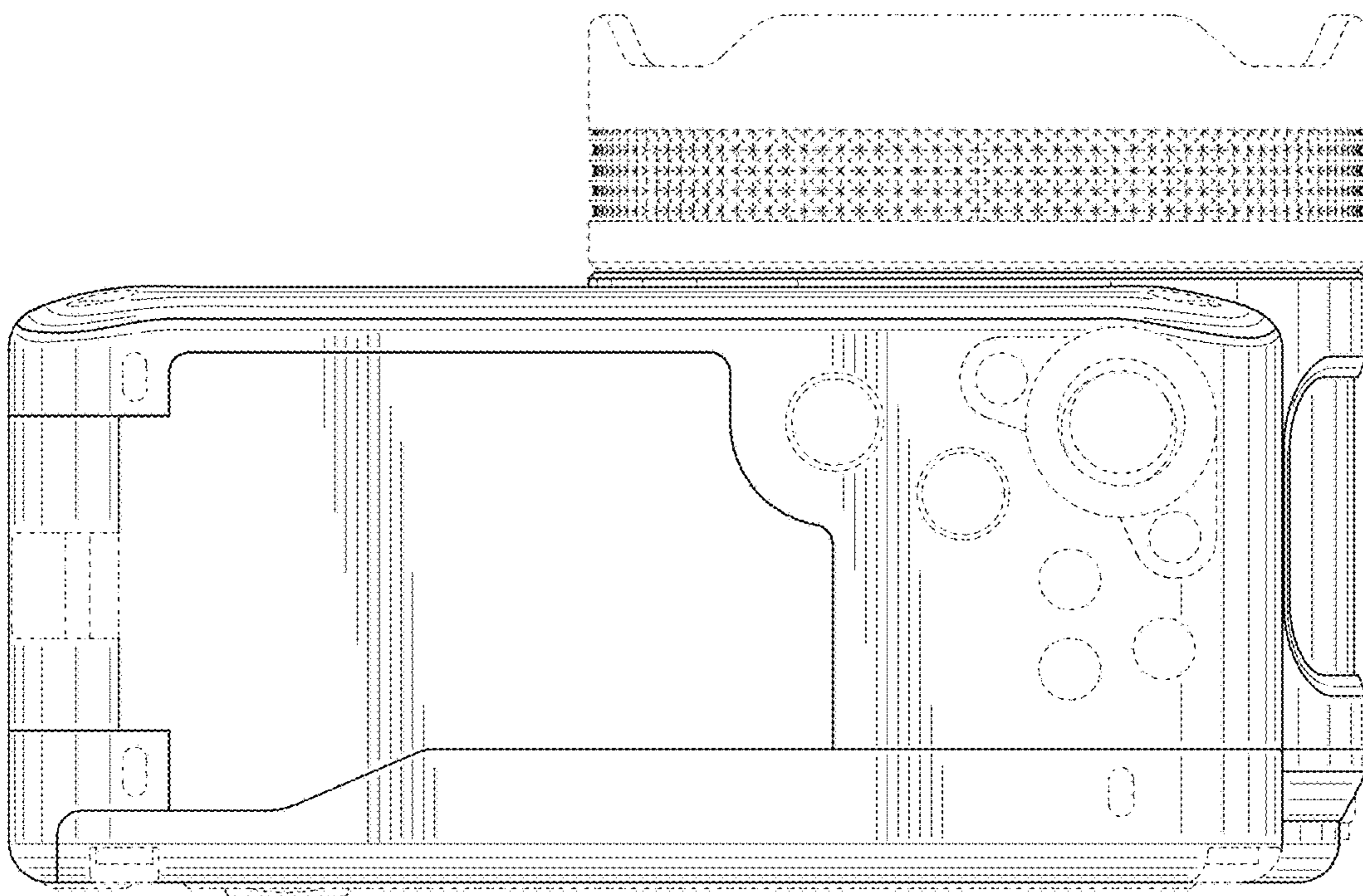


FIG. 7

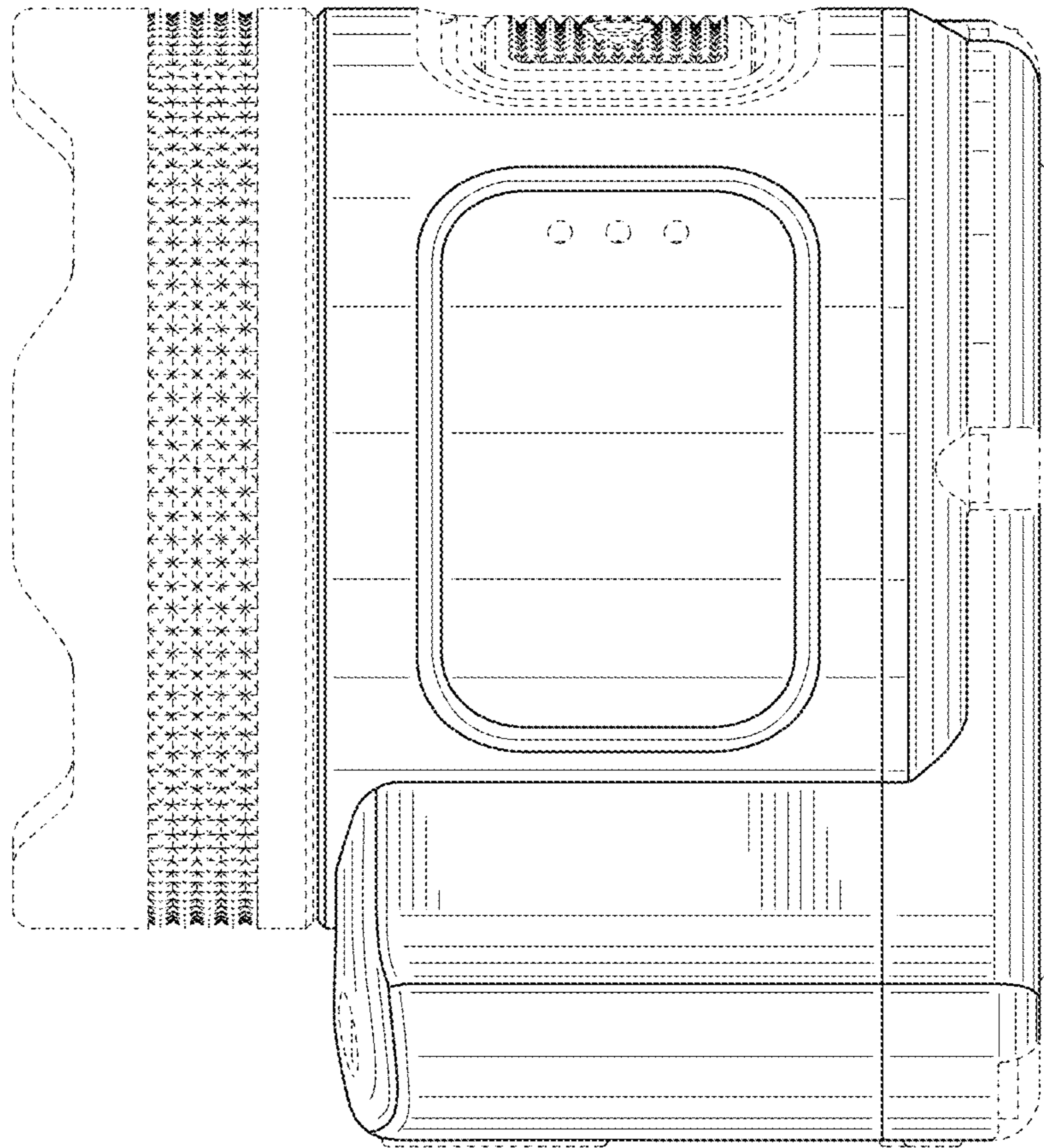


FIG. 8

