



US00D803924S

(12) **United States Design Patent**
Martin et al.

(10) **Patent No.:** **US D803,924 S**

(45) **Date of Patent:** **** Nov. 28, 2017**

(54) **PORTABLE VIDEO CAMERA**

(71) Applicant: **OCLU, LLC**, Tempe, AZ (US)

(72) Inventors: **Hugo Martin**, Abingdon (GB); **Robert William Moore**, Berkshire (GB); **Firas Kittaneh**, Tempe, AZ (US)

(73) Assignee: **OCLU LIMITED**, East Grinstead (GB)

(**) Term: **15 Years**

(21) Appl. No.: **29/547,597**

(22) Filed: **Dec. 4, 2015**

(51) **LOC (10) Cl.** **16-01**

(52) **U.S. Cl.**
USPC **D16/218**

(58) **Field of Classification Search**
USPC D16/200, 202-203, 208, 218, 219;
348/14.01-14.6, 143, 148, 151, 373-376;
396/419, 427, 428, 535, 539-541
CPC G03B 17/02; G03B 19/04; G03B 17/56;
G03B 17/04; G03B 15/03; H04N
2101/00; H04N 2007/145; H04N 7/141;
H04N 7/142; H04N 7/147; H04N 7/148;
H04N 7/15; H04N 7/152
See application file for complete search history.

(56) **References Cited**

U.S. PATENT DOCUMENTS

D410,663 S * 6/1999 Ogasawara D16/202
D421,618 S * 3/2000 Chen D16/200

D441,000 S * 4/2001 Vanderwilt D16/202
D463,809 S * 10/2002 Lo D16/202
6,637,952 B2 * 10/2003 Arbuckle G03B 17/02
348/143
D484,164 S * 12/2003 Ogura D16/202
D523,457 S * 6/2006 Tan D16/202
D598,942 S * 8/2009 Yanai D16/202
D600,731 S * 9/2009 Lee D16/202
8,253,796 B2 * 8/2012 Renkis G08B 13/19656
348/115
D687,875 S * 8/2013 Sasaki D16/202
D694,797 S * 12/2013 Parker D16/202

* cited by examiner

Primary Examiner — Philip S Hyder

Assistant Examiner — Ramzi Almatrahi

(74) *Attorney, Agent, or Firm* — Weiss & Moy, P.C.;
Jeffrey D. Moy

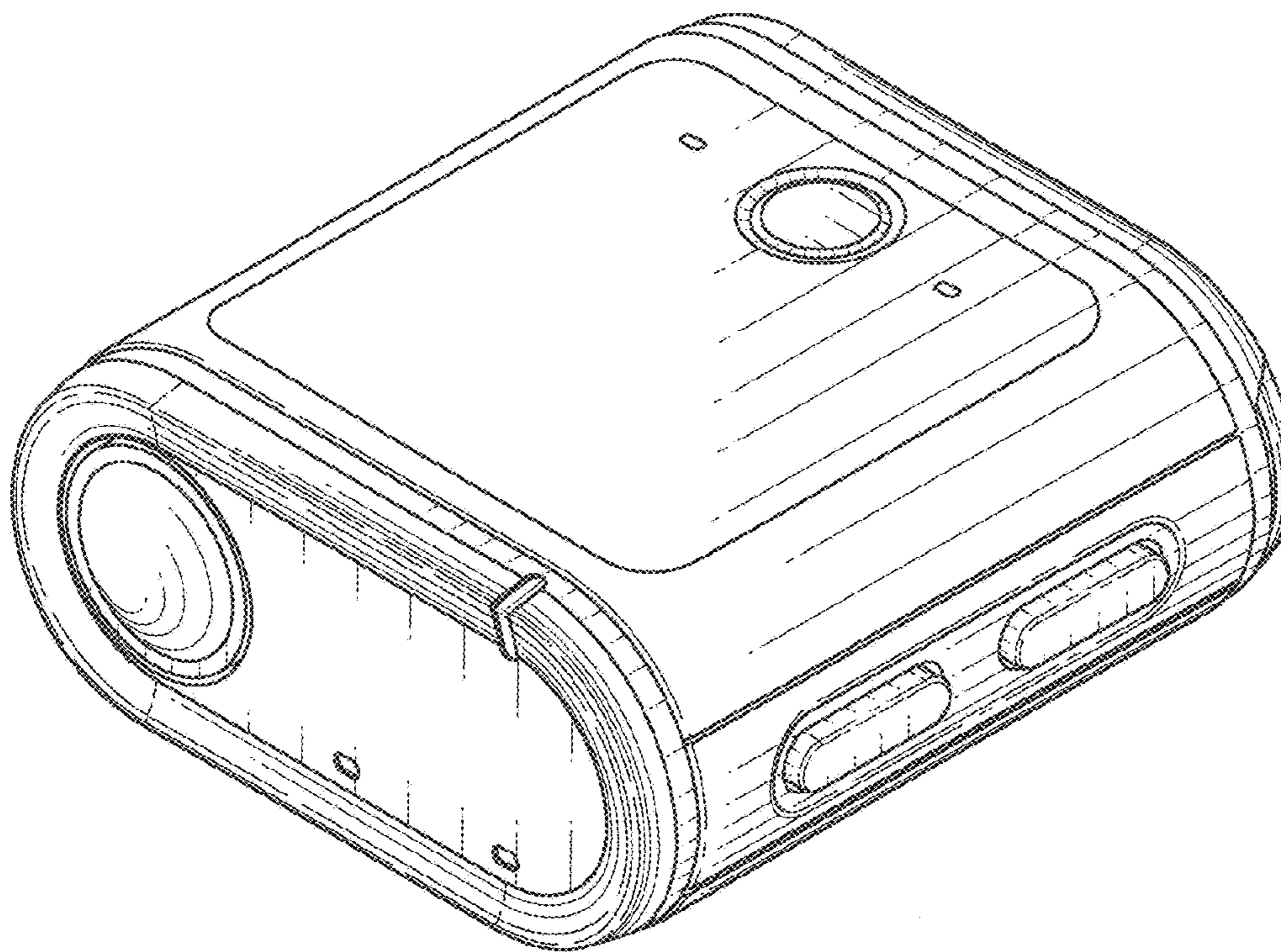
(57) **CLAIM**

The ornamental design for a portable video camera, as shown and described.

DESCRIPTION

FIG. 1 is a front perspective view a portable video camera showing our new design;
FIG. 2 is a front view of the portable video camera;
FIG. 3 is a rear view of the portable video camera;
FIG. 4 is a top view of the portable video camera;
FIG. 5 is a bottom view of the portable video camera;
FIG. 6 is a right side view of the portable video camera; and,
FIG. 7 is a left side view of the portable video camera.

1 Claim, 3 Drawing Sheets



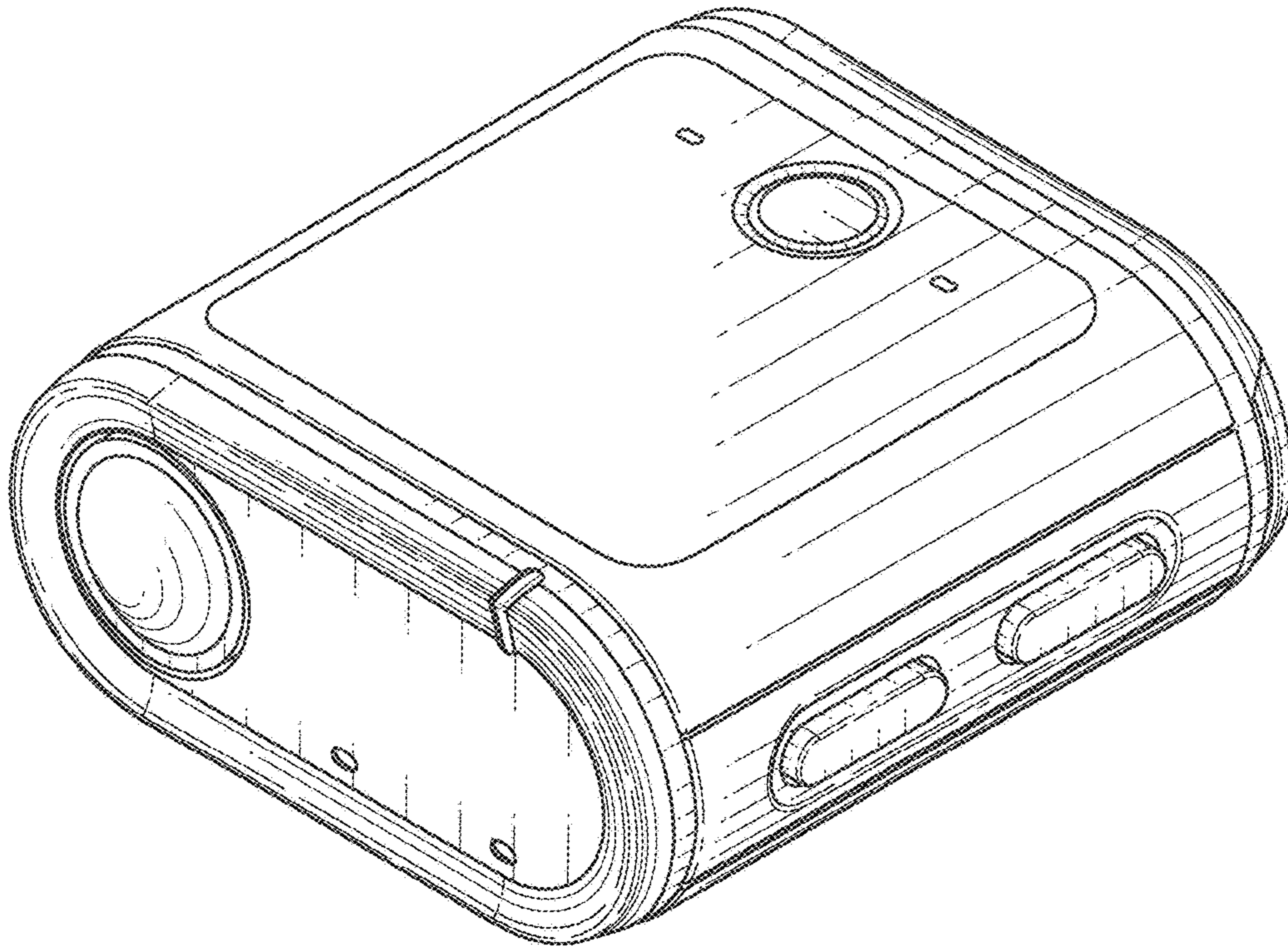


FIG. 1

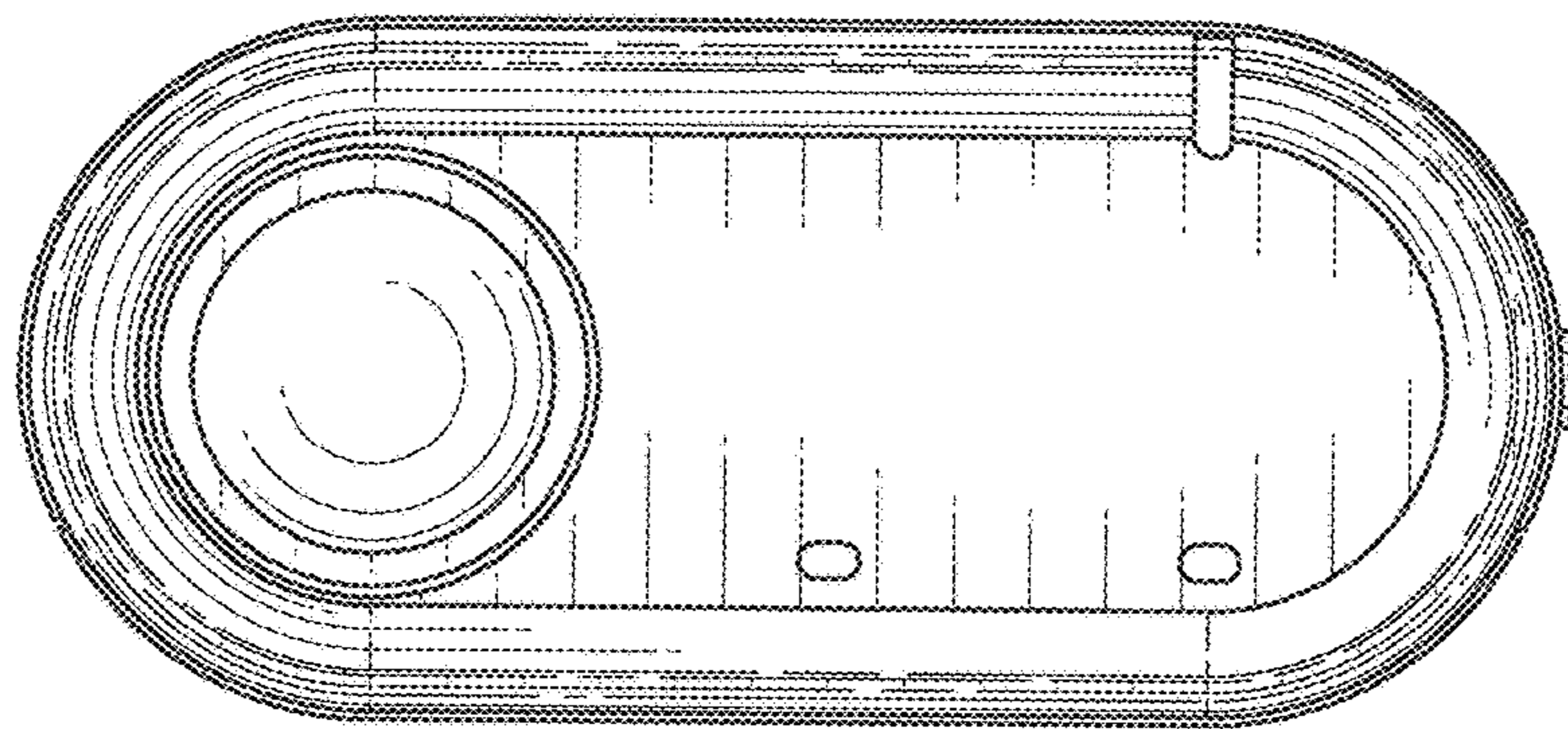


FIG. 2

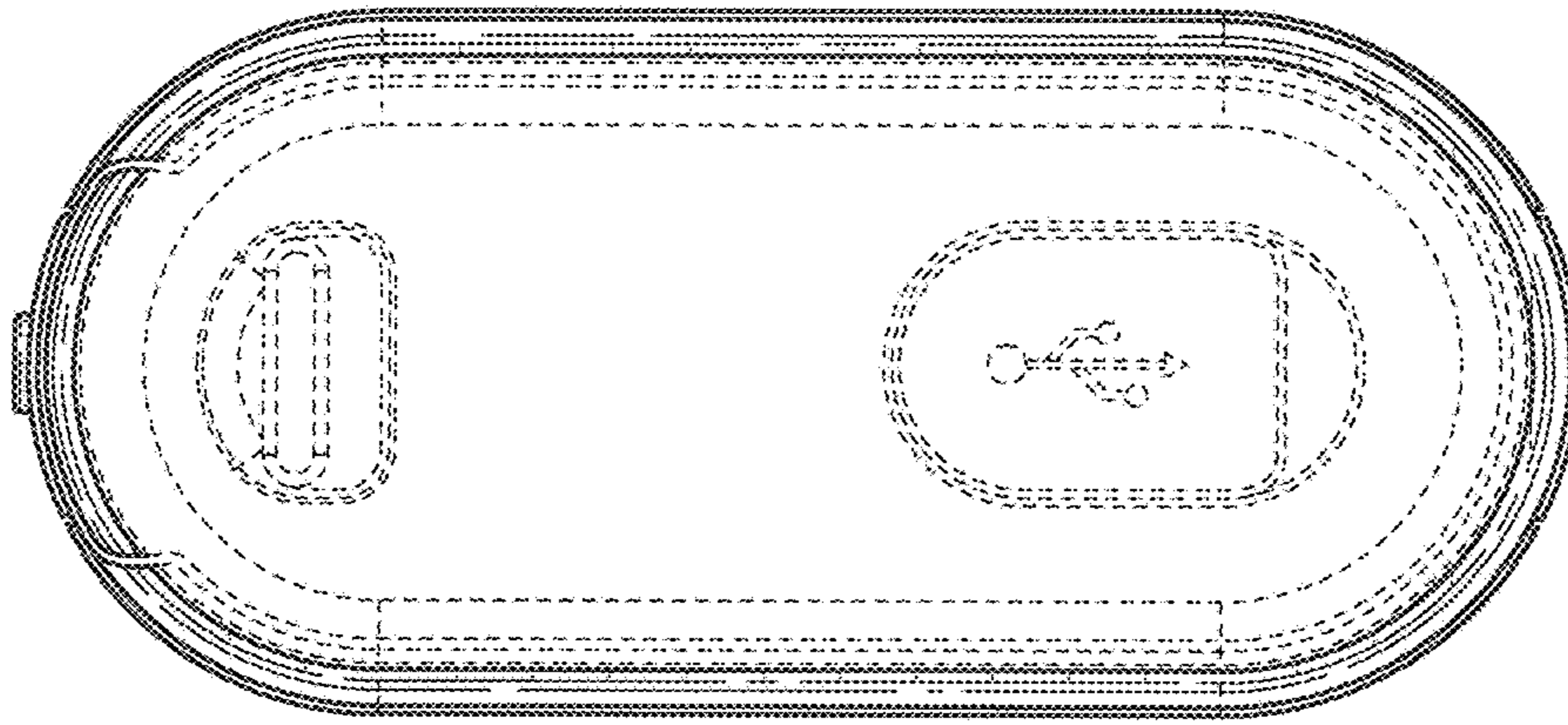


FIG. 3

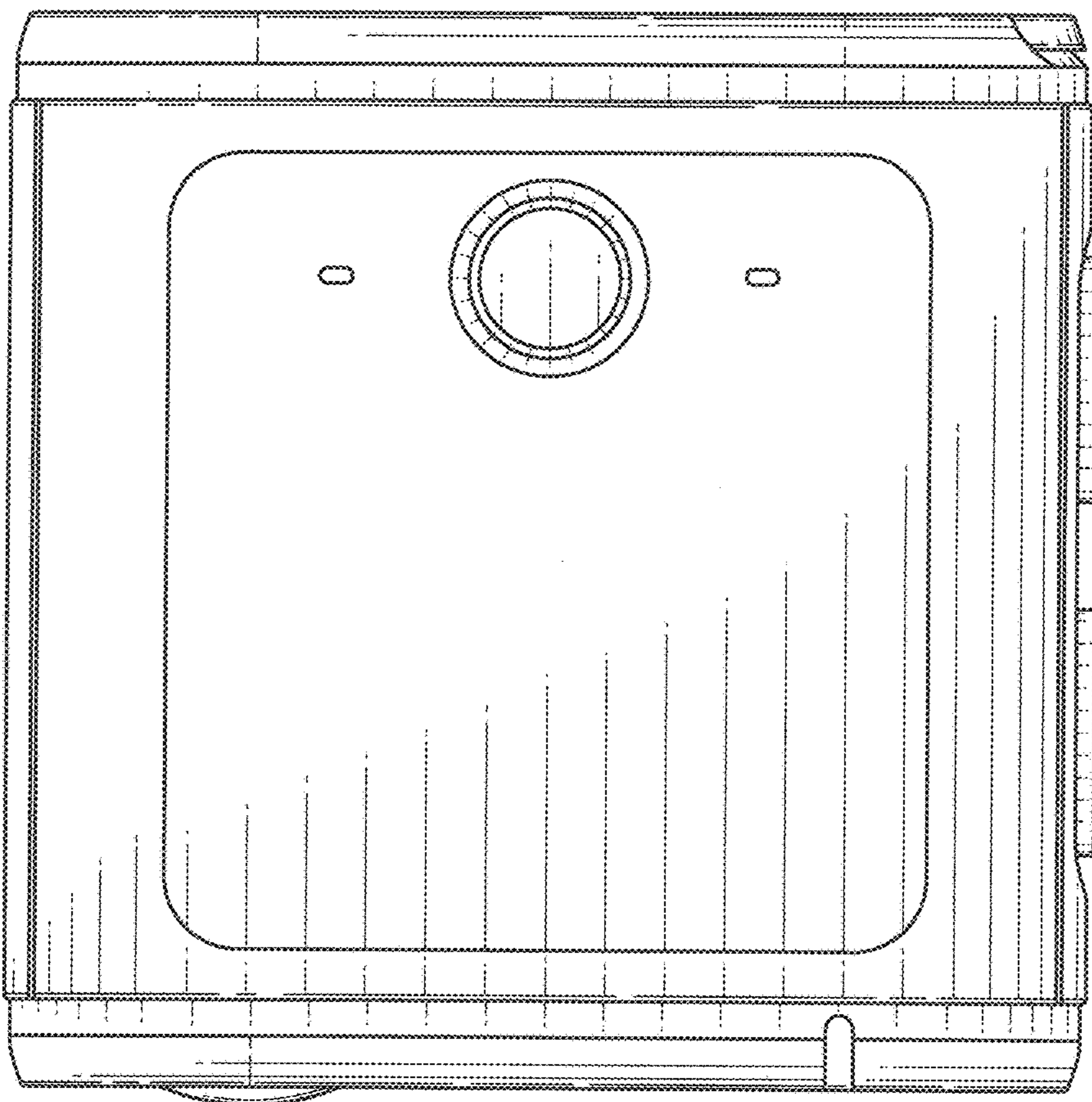


FIG. 4

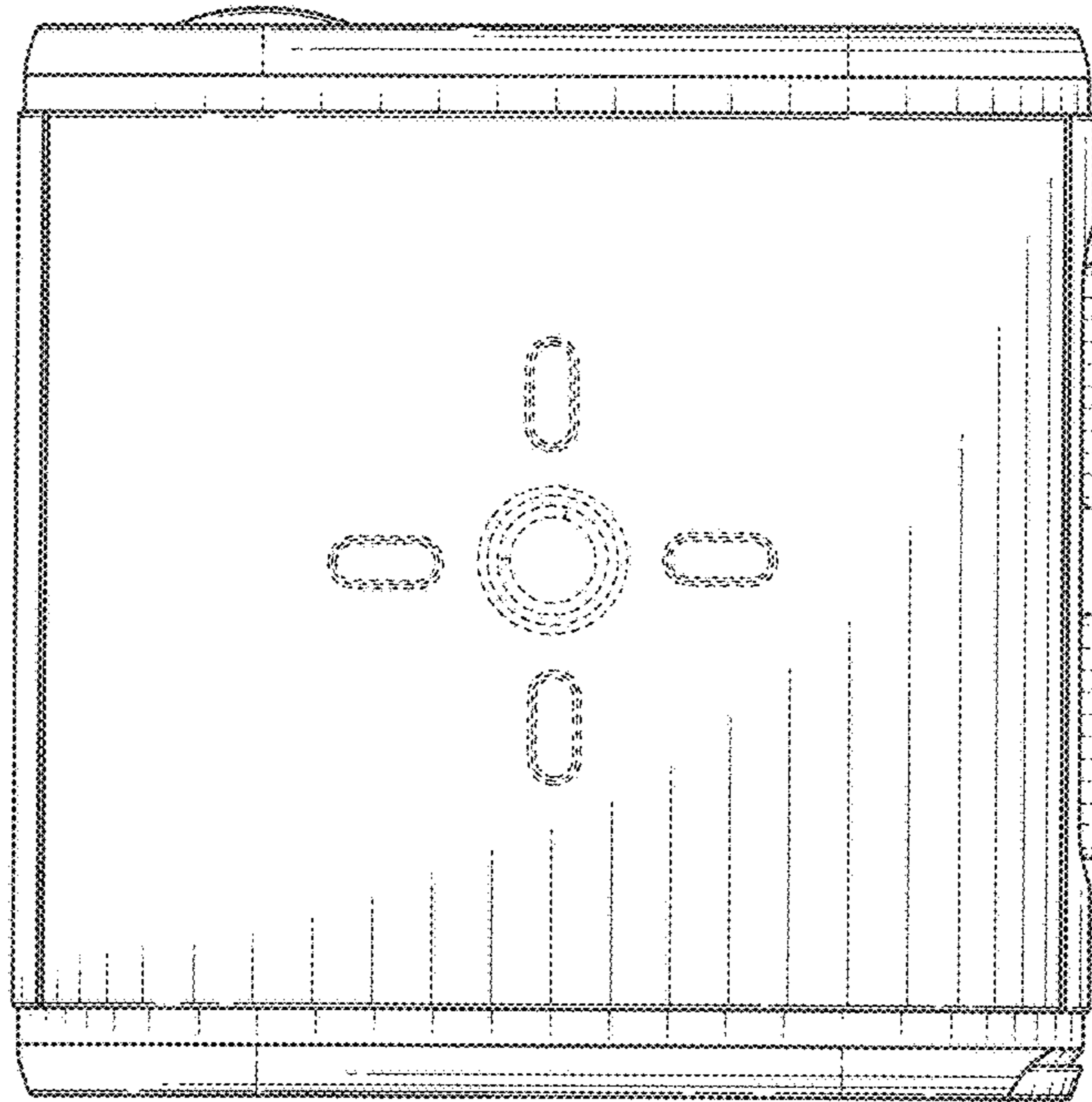


FIG. 5

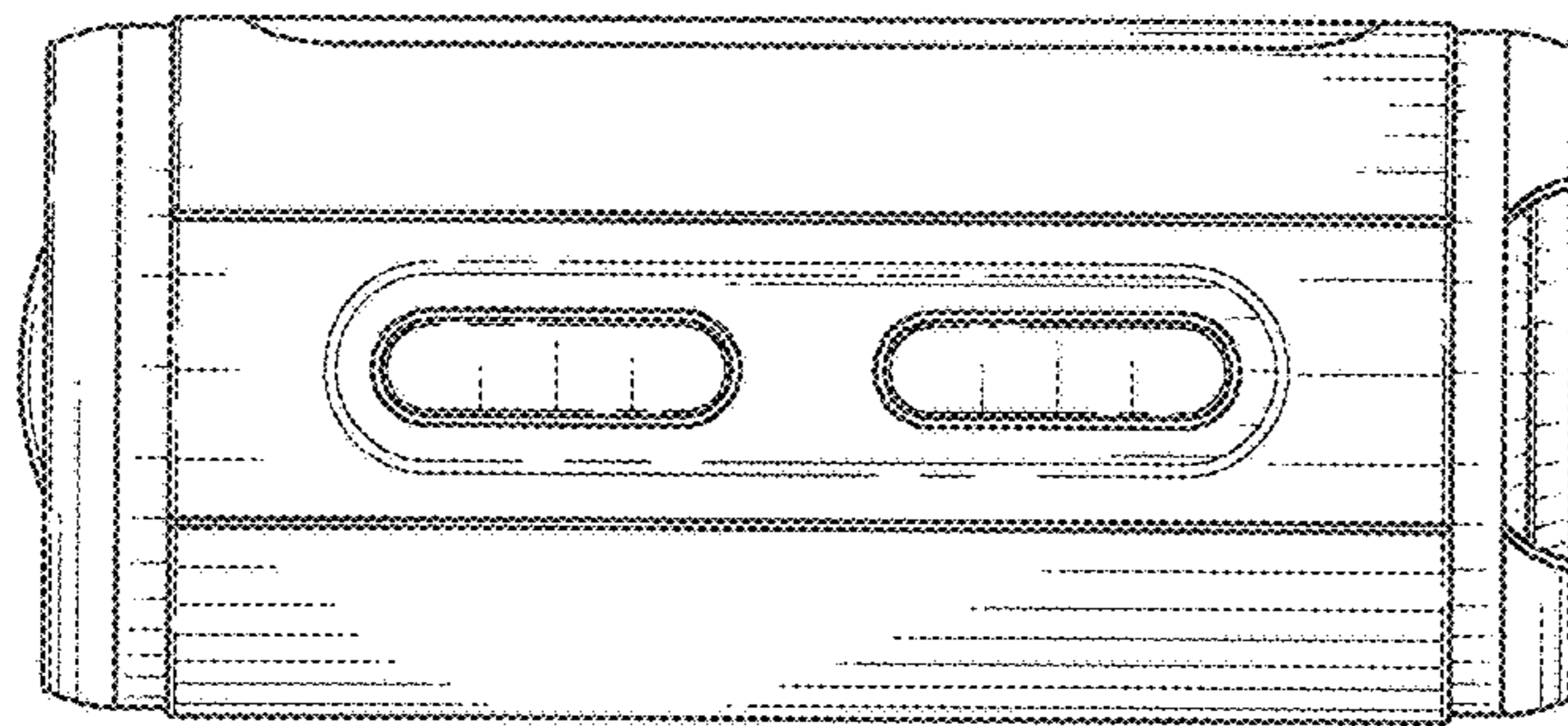


FIG. 6

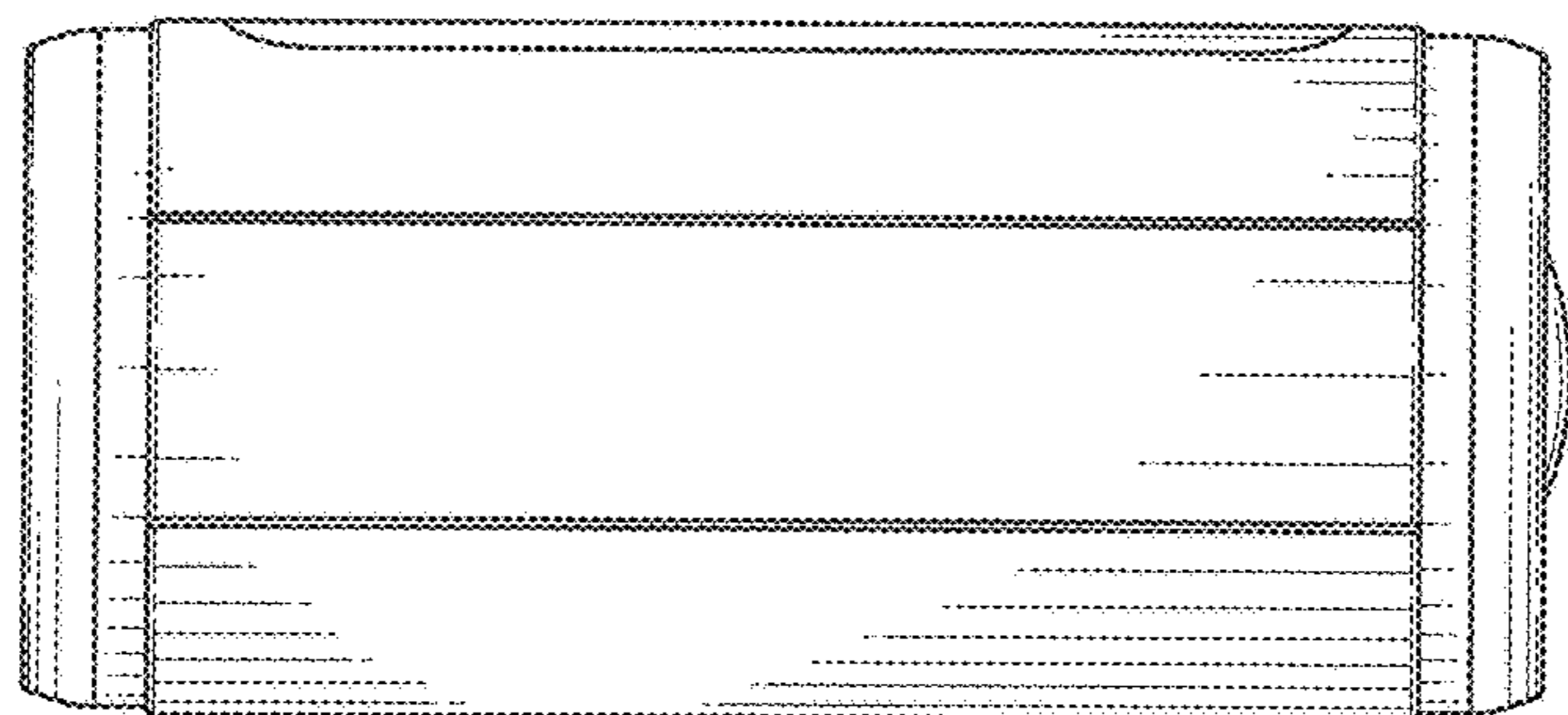


FIG. 7