



US00D803923S

(12) **United States Design Patent**
Tudosoiu et al.

(10) **Patent No.:** **US D803,923 S**

(45) **Date of Patent:** **** Nov. 28, 2017**

(54) **SURVEILLANCE CAMERA**

(71) Applicant: **MODCAM AB**, Hjärup (SE)

(72) Inventors: **Bogdan Tudosoiu**, Hjärup (SE);
Karl-Anders Johansson, Hjärup (SE)

(73) Assignee: **MODCAM AB** (SE)

(**) Term: **15 Years**

(21) Appl. No.: **35/500,325**

(22) Filed: **Aug. 25, 2015**

(80) **Hague Agreement Data**

Int. Filing Date: **Aug. 25, 2015**

Int. Reg. No.: **DM/088296**

Int. Reg. Date: **Aug. 25, 2015**

Int. Reg. Pub. Date: **Dec. 4, 2015**

(51) **LOC (10) Cl.** **16-01**

(52) **U.S. Cl.**
USPC **D16/203**

(58) **Field of Classification Search**
USPC D16/200, 202–206, 208, 218, 219, 242
CPC G03B 17/02; G03B 19/04; G03B 17/56;
G03B 17/04; G03B 17/03; H04N 5/2251;
H04N 5/2252; H04N 5/2253; H04N
5/2254; H04N 7/181; H04N 7/183; H04N
7/18; G08B 13/1963; G08B 13/19619;
G08B 13/19632; F16M 11/04; F16M
13/00

See application file for complete search history.

(56) **References Cited**

U.S. PATENT DOCUMENTS

D373,593 S * 9/1996 Hiroko D16/202
D442,982 S * 5/2001 Adachi D16/203
D474,221 S * 5/2003 Cheng D16/218
D480,741 S * 10/2003 Berger D16/202

D582,460 S * 12/2008 Yoo D16/203
D657,410 S * 4/2012 Helaoui D16/203
D694,305 S * 11/2013 Katori D16/203
D694,306 S * 11/2013 Katori D16/203
D719,600 S * 12/2014 Katori D16/203
D719,994 S * 12/2014 Wang D16/203
D721,755 S * 1/2015 Åhman D16/203
D725,172 S * 3/2015 Katori D16/203
D729,859 S * 5/2015 Shin D16/203
D729,861 S * 5/2015 Huang D16/203
D740,874 S * 10/2015 Ahman D16/203
D743,465 S * 11/2015 Aglassinger D16/203
D747,756 S * 1/2016 Scalisi D16/203
D748,178 S * 1/2016 Scalisi D10/118.2
D749,660 S * 2/2016 Yu D16/203
D750,683 S * 3/2016 Bergstrom D16/203
D751,621 S * 3/2016 Katori D16/203
D752,674 S * 3/2016 Katori D16/203
D756,437 S * 5/2016 Bennermark D16/203

* cited by examiner

Primary Examiner — Barbara Fox

Assistant Examiner — Holly E Thurman

(74) *Attorney, Agent, or Firm* — Condo Roccia Koptiw
LLP

(57) **CLAIM**

The ornamental design for a surveillance camera, as shown
and described.

DESCRIPTION

Surveillance camera

Fig. 2.1 is a top perspective view of the surveillance camera
according to our new design.

Fig. 2.2 is a bottom perspective view thereof

Fig. 2.3 is a top view thereof.

Fig. 2.4 is a bottom view thereof.

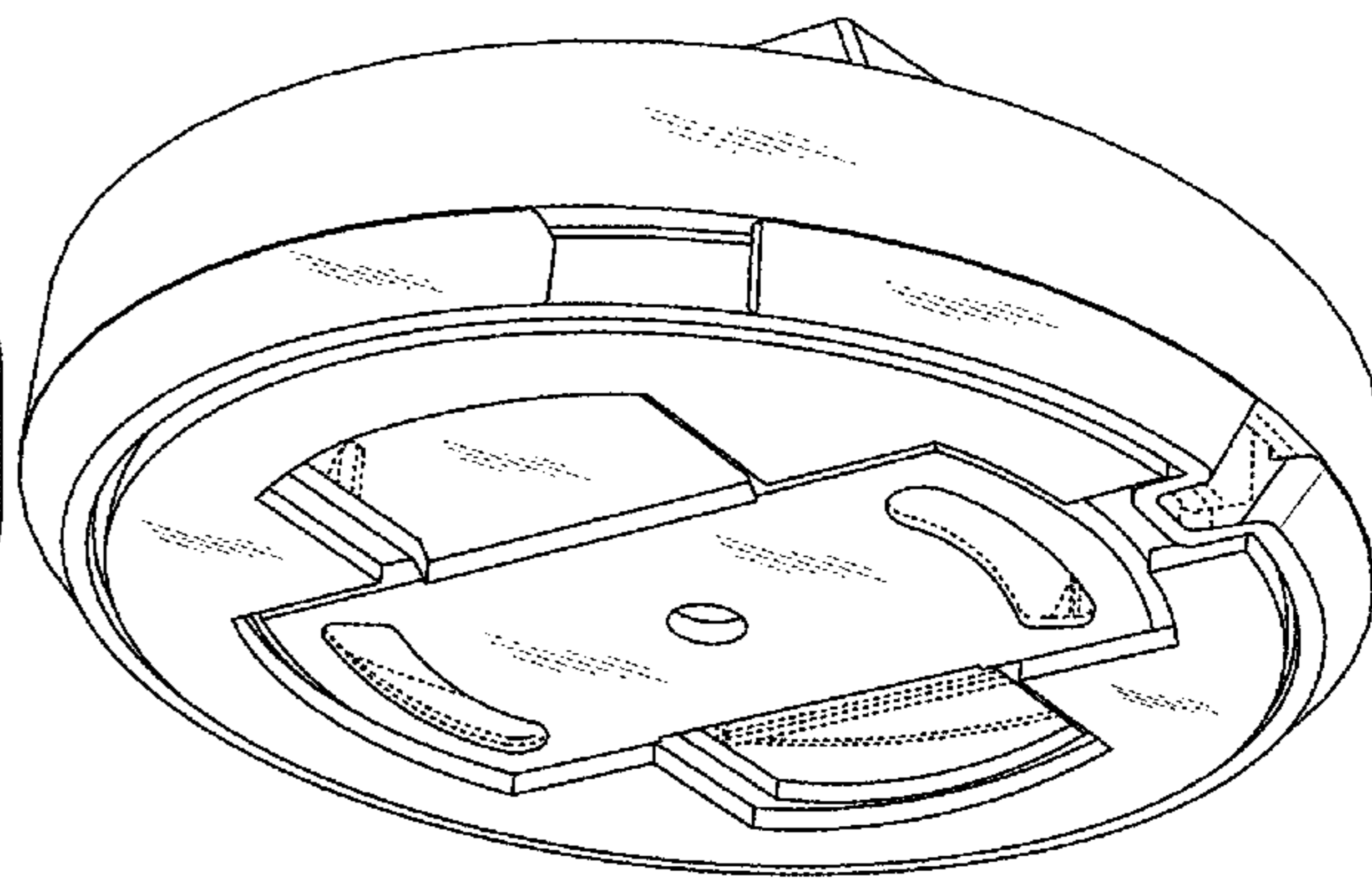
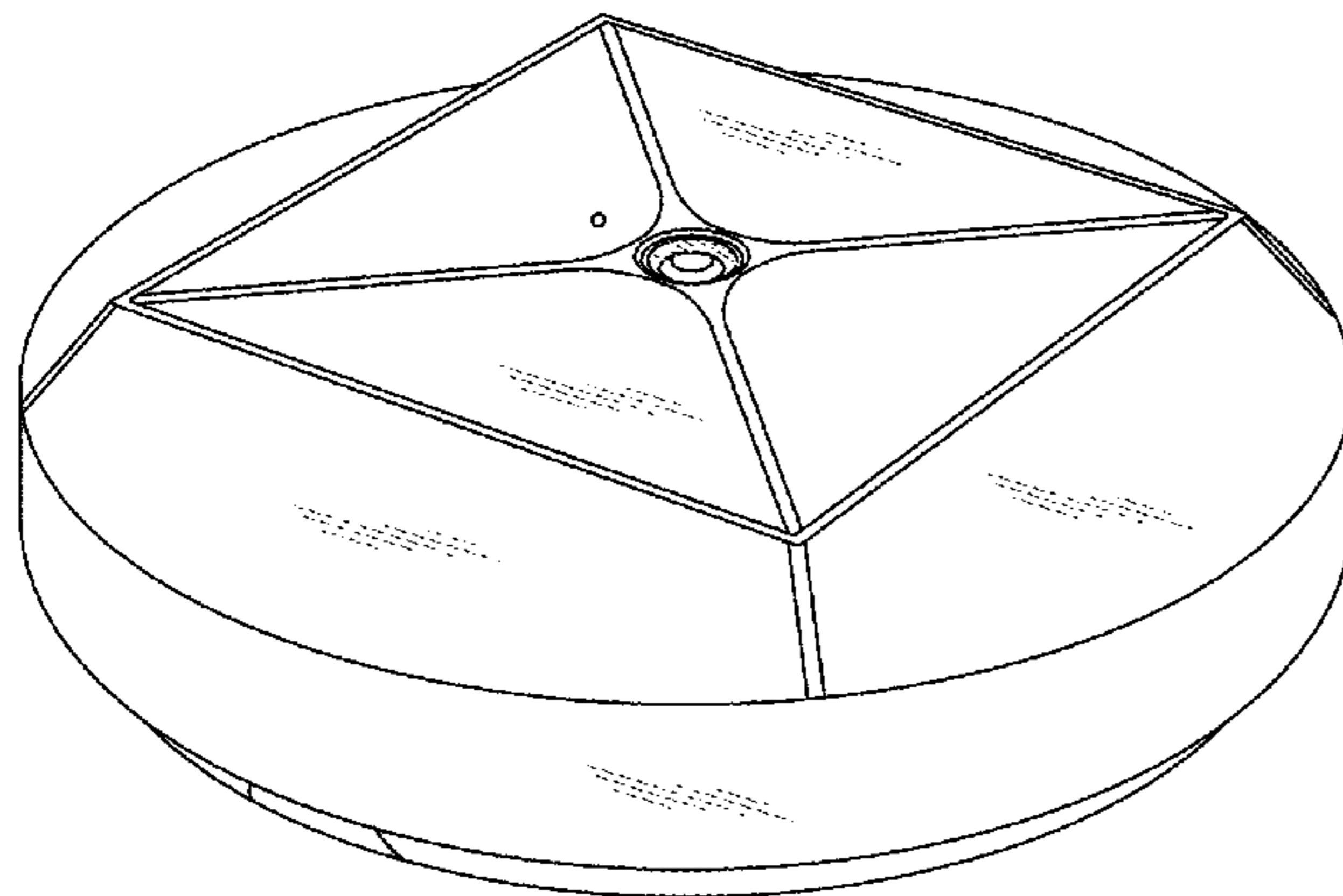
Fig. 2.5 is a front view thereof.

Fig. 2.6 is a rear view thereof.

Fig. 2.7 is a left side view thereof.

The portions of Figures 2.1-2.7 that are depicted in broken
lines form no part of the claimed design.

1 Claim, 7 Drawing Sheets



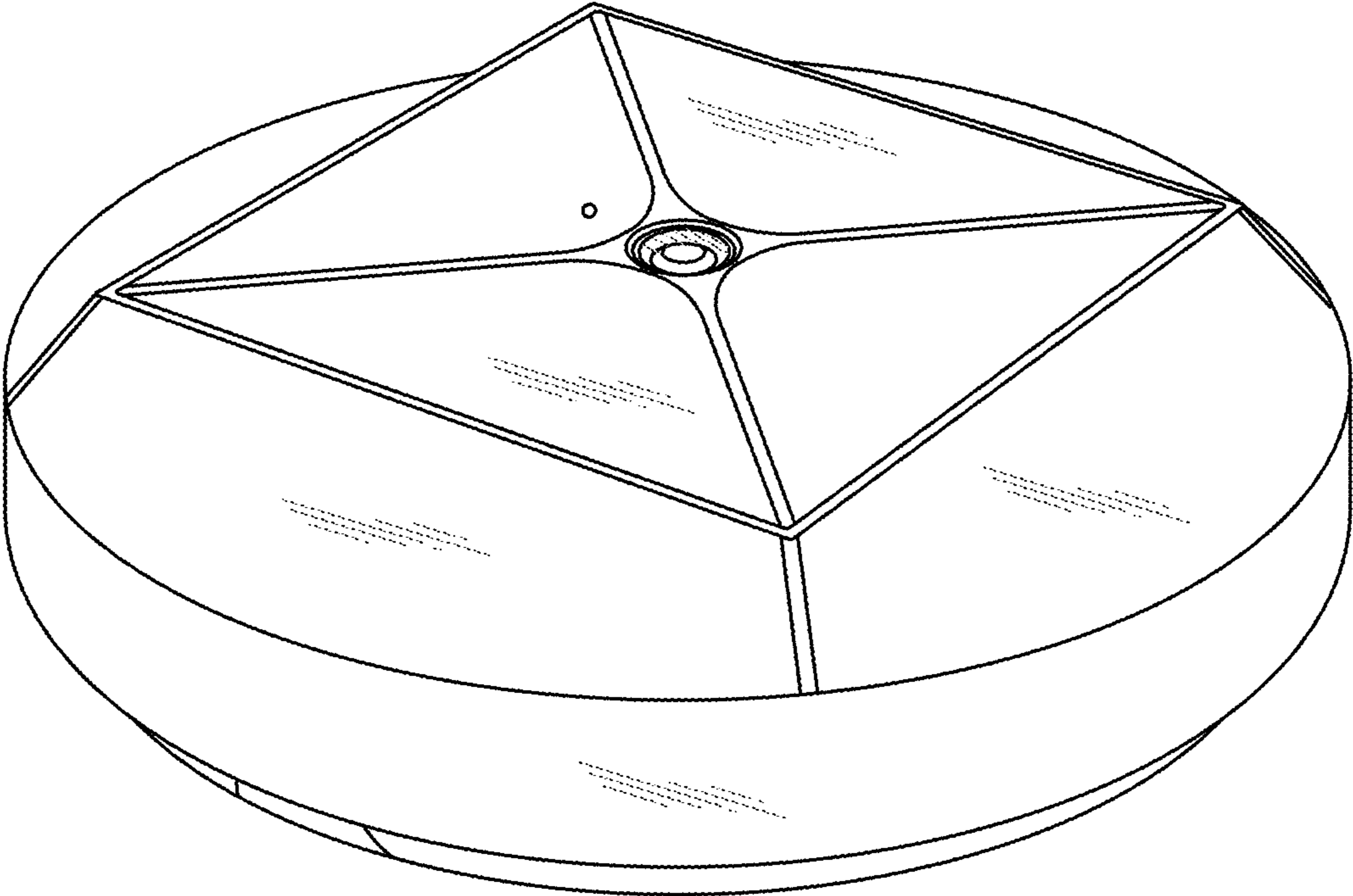


Fig. 2.1

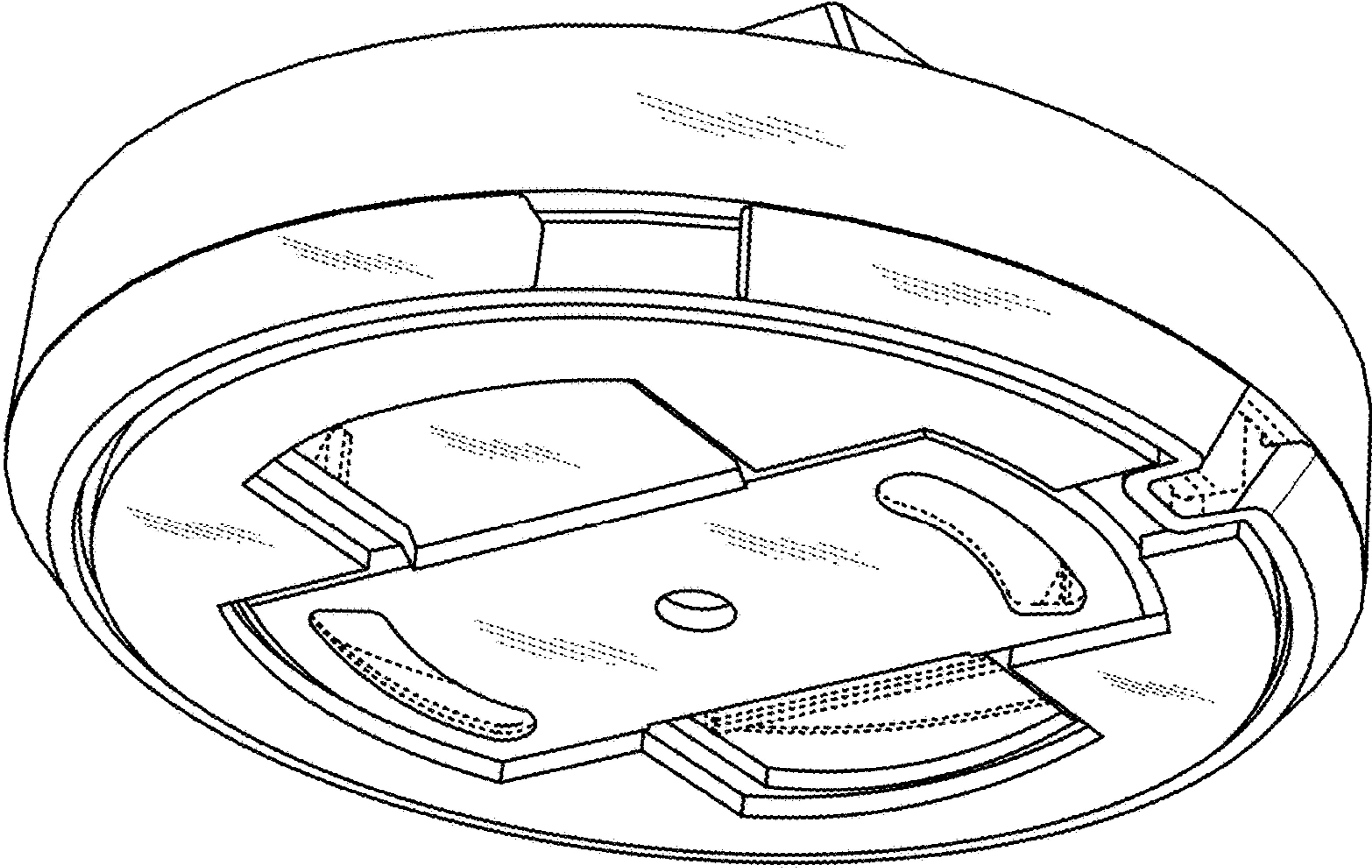


Fig. 2.2

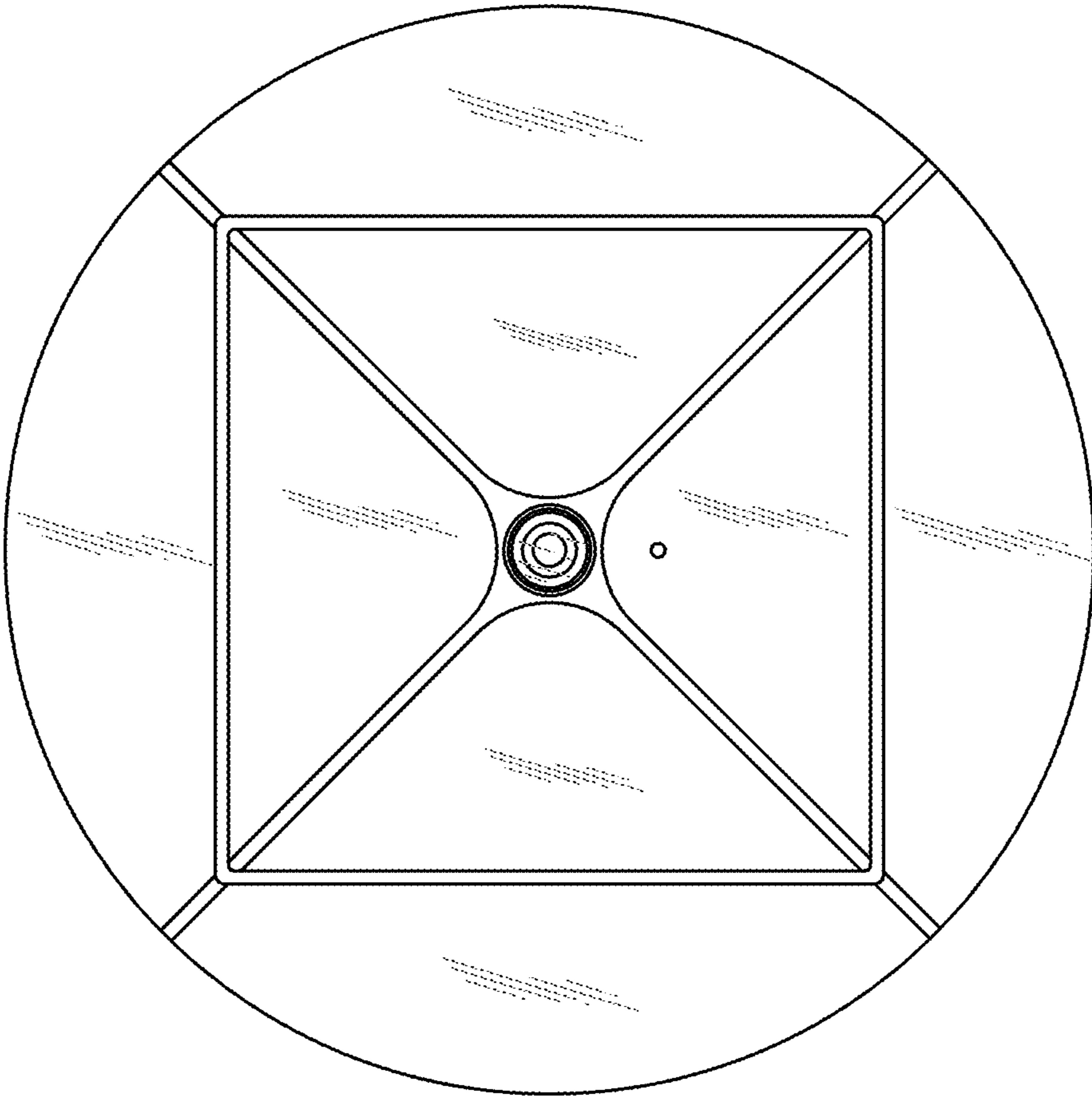


Fig. 2.3

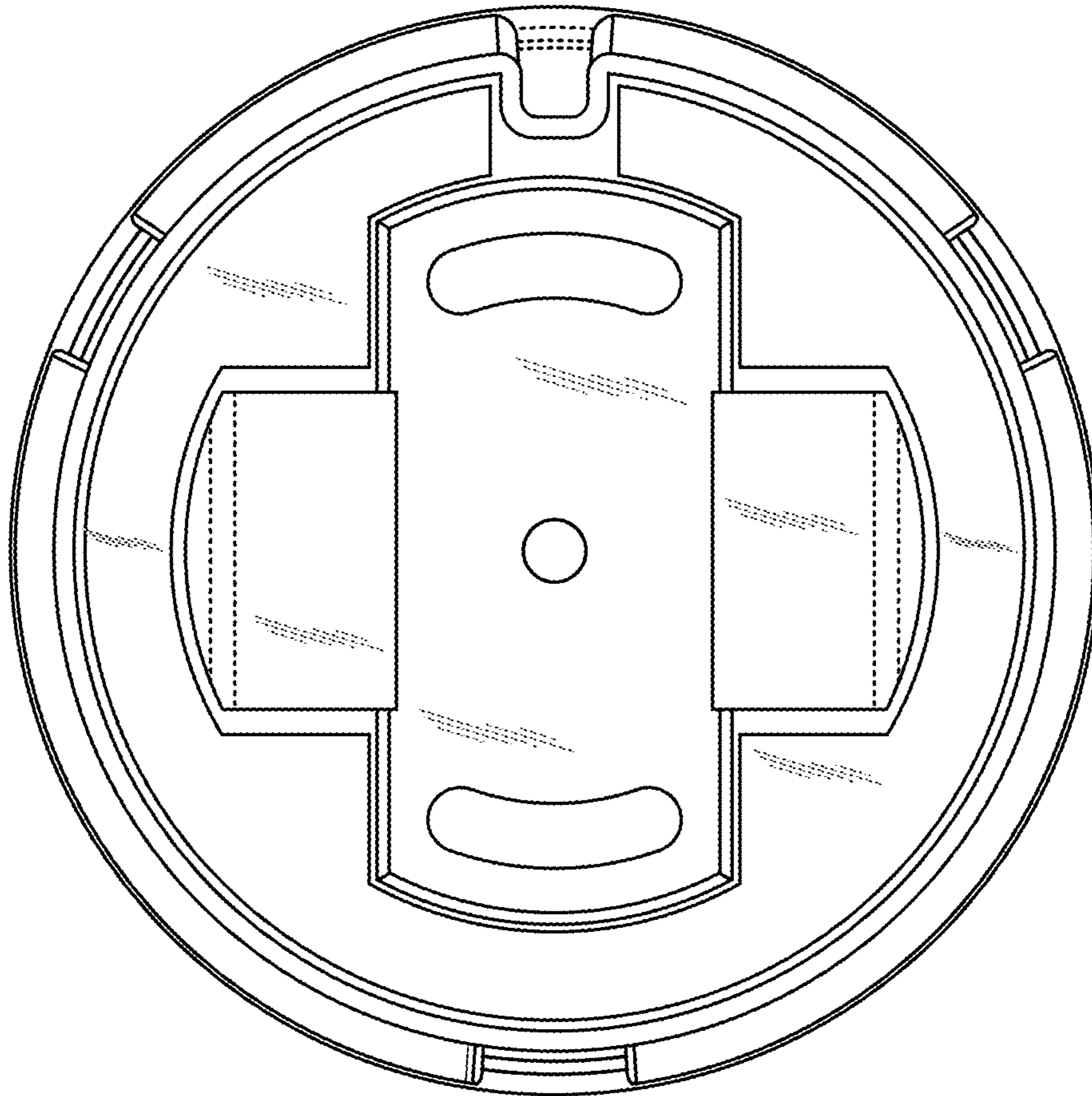


Fig. 2.4

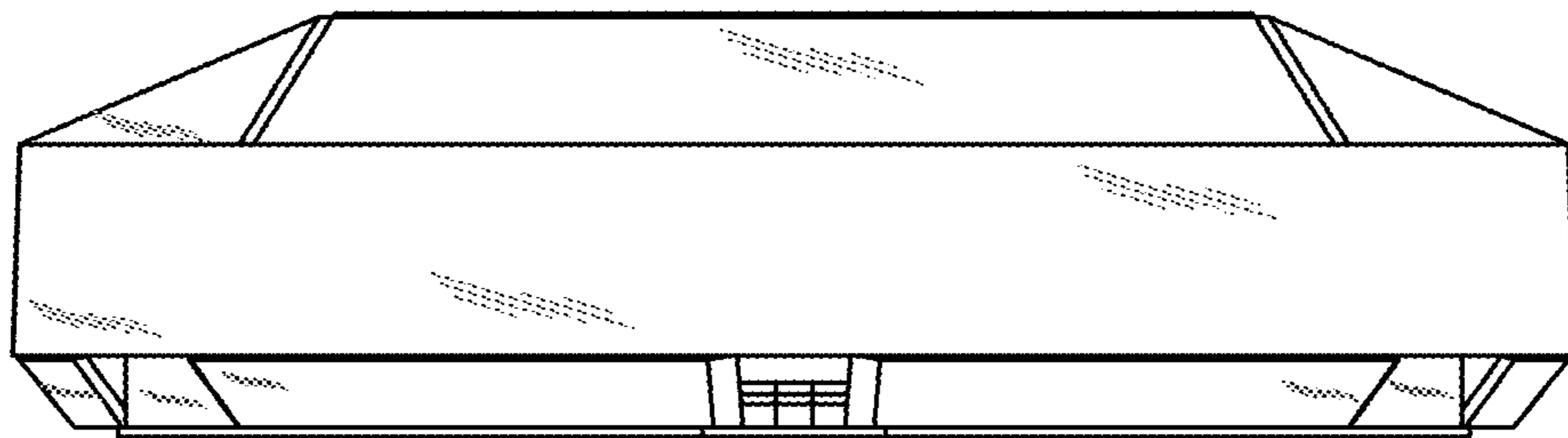


Fig. 2.5

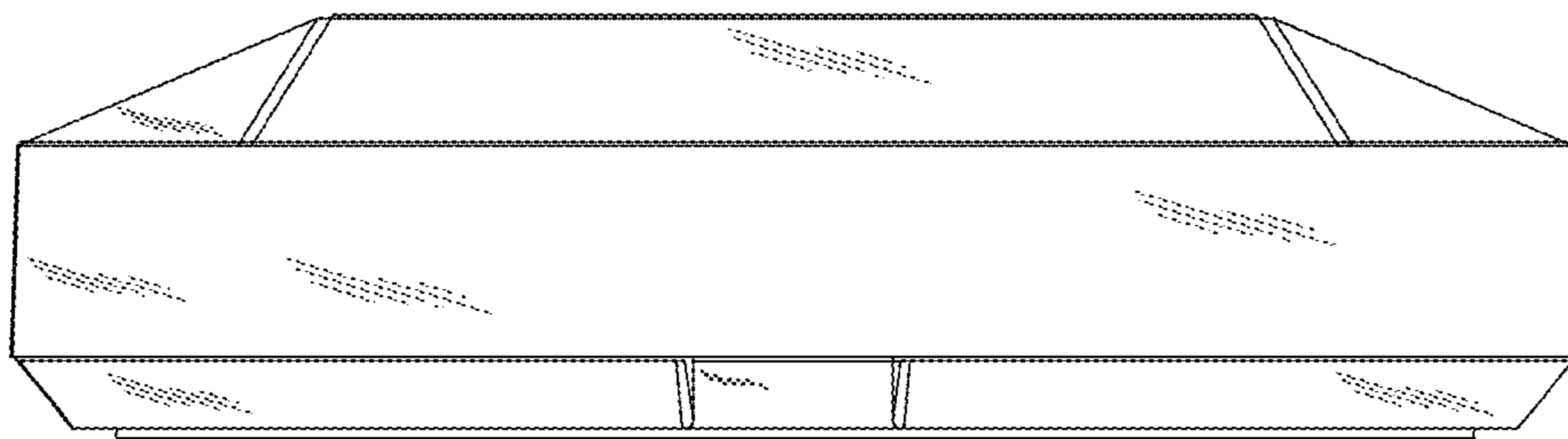


Fig. 2.6

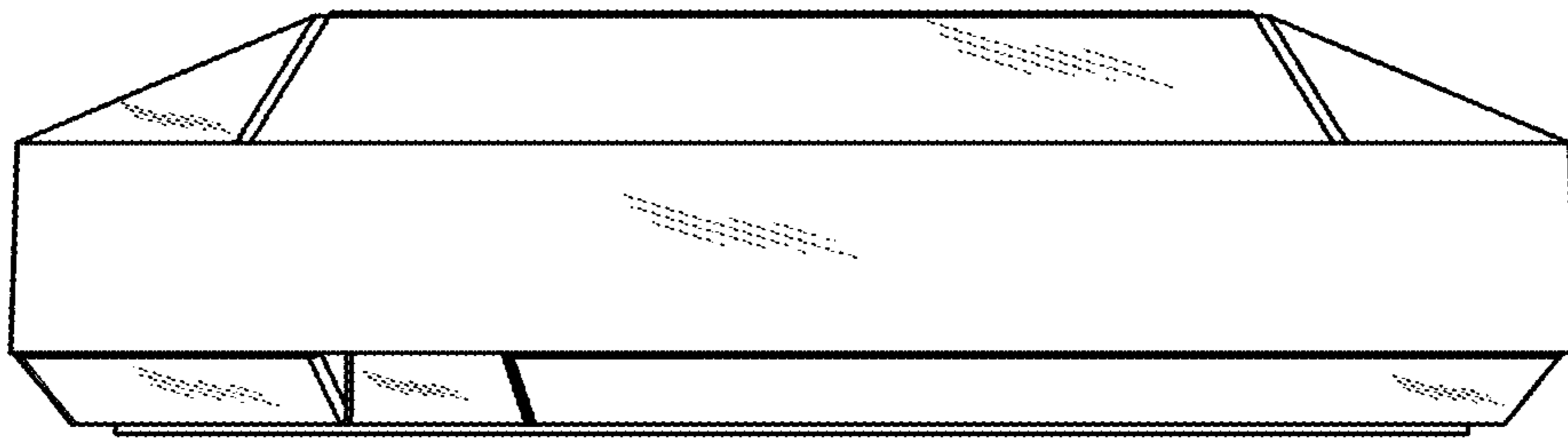


Fig. 2.7