



US00D803922S

(12) **United States Design Patent** (10) **Patent No.:** **US D803,922 S**
Chang et al. (45) **Date of Patent:** **** Nov. 28, 2017**

(54) **CAMERA DEVICE**
 (71) Applicant: **Quanta Computer Inc.**, Taoyuan (TW)
 (72) Inventors: **Chia-Yuan Chang**, Taoyuan (TW);
Ya-Chyi Chou, Taoyuan (TW);
Jung-Wen Chang, Taoyuan (TW);
Kao-Yu Hsu, Taoyuan (TW)
 (73) Assignee: **QUANTA COMPUTER INC.**,
 Guishan Dist., Taoyuan (TW)

D743,465 S * 11/2015 Aglassinger D16/203
 D747,755 S * 1/2016 Scalisi D16/203
 D748,178 S * 1/2016 Scalisi D10/118.2
 D748,179 S * 1/2016 Scalisi D10/118.2
 D748,180 S * 1/2016 Scalisi D16/203
 D748,709 S * 2/2016 Jeong D16/202
 D752,674 S * 3/2016 Katori D16/203
 D761,340 S * 7/2016 Pacurariu D16/202
 D776,180 S * 1/2017 Fiedler D16/202

(Continued)

(**) Term: **15 Years**

TW D176445 6/2016

(21) Appl. No.: **29/580,949**

OTHER PUBLICATIONS

(22) Filed: **Oct. 14, 2016**

Japanese language office action dated Jan. 4, 2017, issued in application No. JP D2016-023790.

(30) **Foreign Application Priority Data**

Aug. 29, 2016 (TW) 105304993

(51) **LOC (10) Cl.** **16-01**

(52) **U.S. Cl.**
USPC **D16/203**

(58) **Field of Classification Search**
 USPC D16/200, 202–206, 218, 219, 242;
 D10/106.2, 106.3, 106.5, 118.1; 348/143,
 348/148, 151, 373–376; 396/419, 427,
 396/535, 539–541
 CPC G03B 17/02; G03B 19/04; G03B 17/56;
 G03B 17/04; G03B 15/03; H04N 5/2251;
 H04N 5/2252; H04N 5/2253; H04N
 5/2254; H04N 7/181; H04N 7/183; H04N
 7/18; G08B 13/1963; G08B 13/19619;
 G08B 13/19632

See application file for complete search history.

(56) **References Cited**

U.S. PATENT DOCUMENTS

D422,521 S * 4/2000 Morrow D10/106.5
 D679,309 S * 4/2013 Park D16/218
 D729,859 S * 5/2015 Shin D16/203

FOREIGN PATENT DOCUMENTS

Primary Examiner — Philip S Hyder
Assistant Examiner — Ramzi Almatrahi
 (74) *Attorney, Agent, or Firm* — McClure, Qualey &
 Rodack, LLP

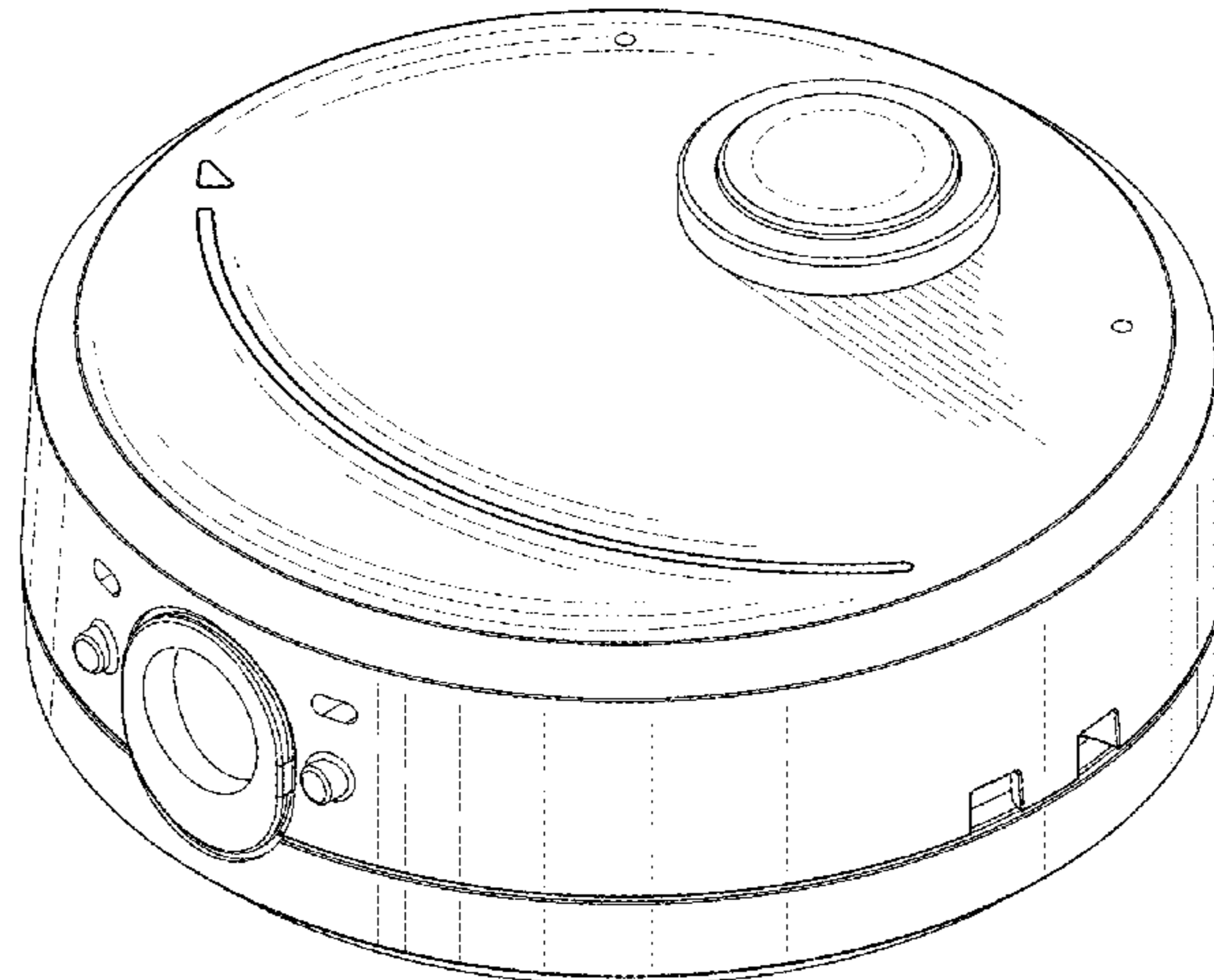
(57) **CLAIM**

The ornamental design for a camera device, as shown and described.

DESCRIPTION

FIG. 1 is a front perspective view of a camera device in accordance with our new design;
 FIG. 2 is a front view thereof;
 FIG. 3 is a rear view thereof;
 FIG. 4 is a left side view thereof;
 FIG. 5 is a right side view thereof;
 FIG. 6 is a top plan view thereof; and,
 FIG. 7 is a bottom plan view thereof.
 The broken lines depict portions of the camera device in which the design is embodied that form no part of the claimed design.

1 Claim, 6 Drawing Sheets



(56)

References Cited

U.S. PATENT DOCUMENTS

2014/0301729 A1* 10/2014 Okamura H04N 5/2252
396/427

* cited by examiner

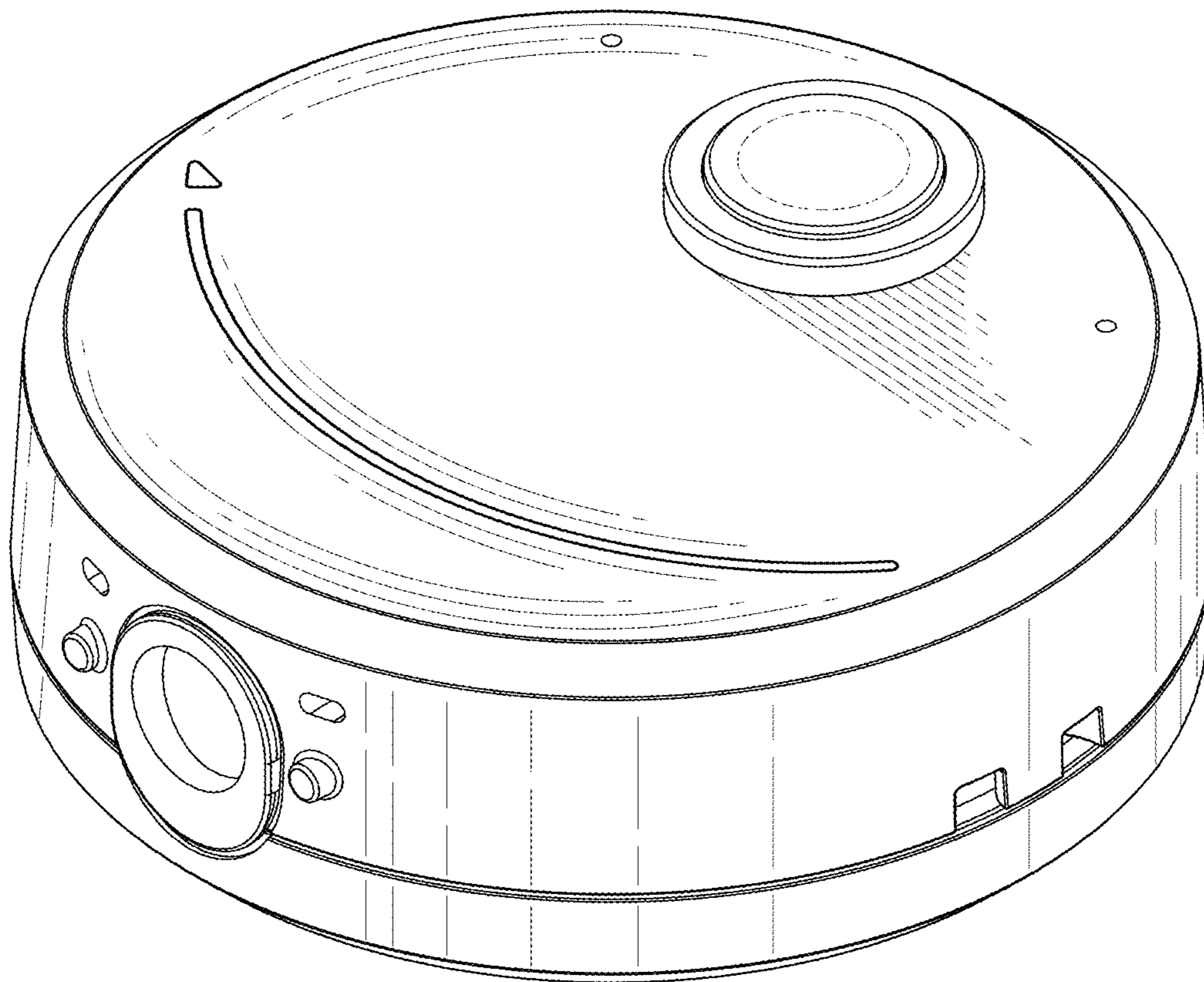


FIG. 1

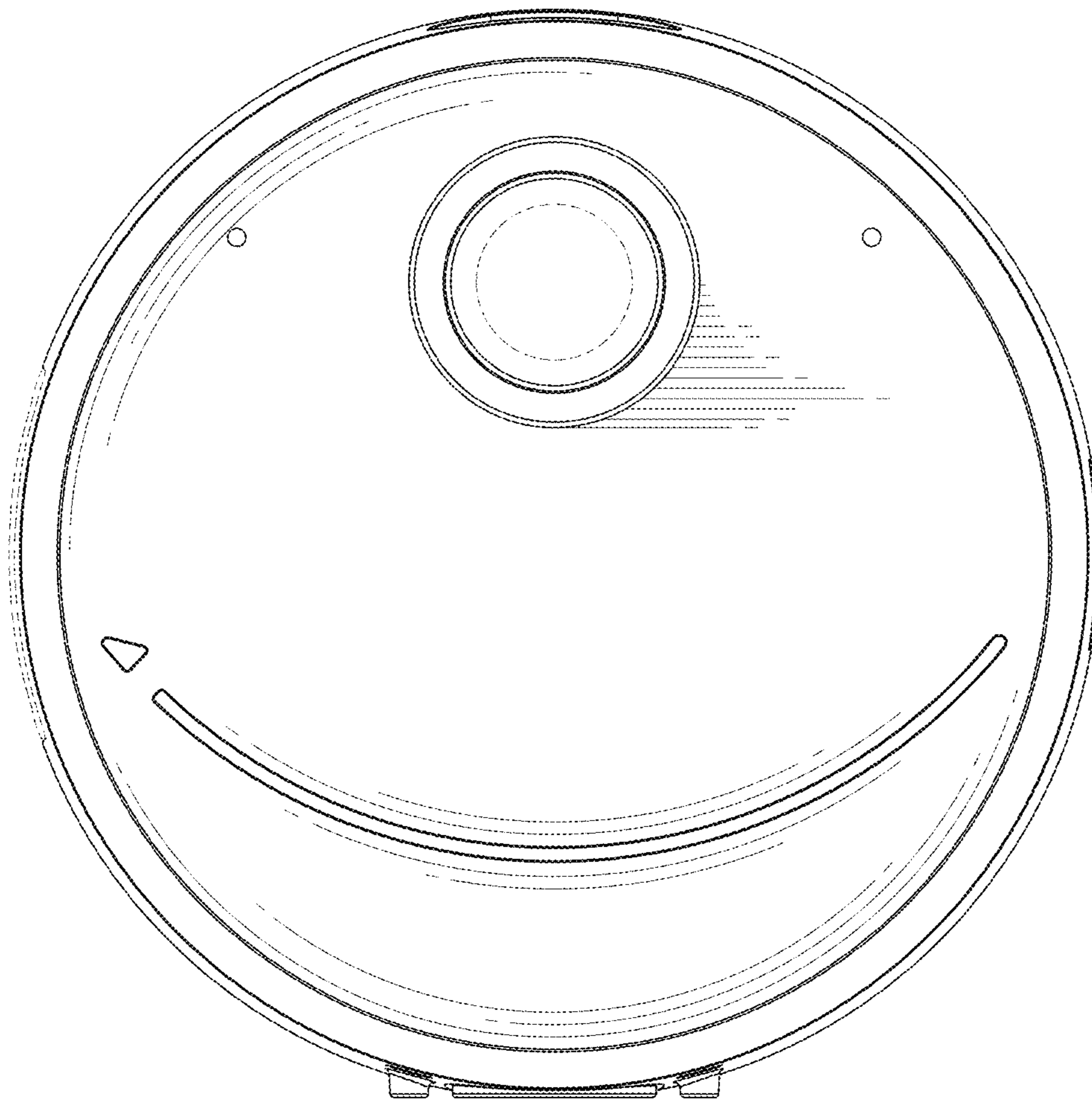


FIG. 2

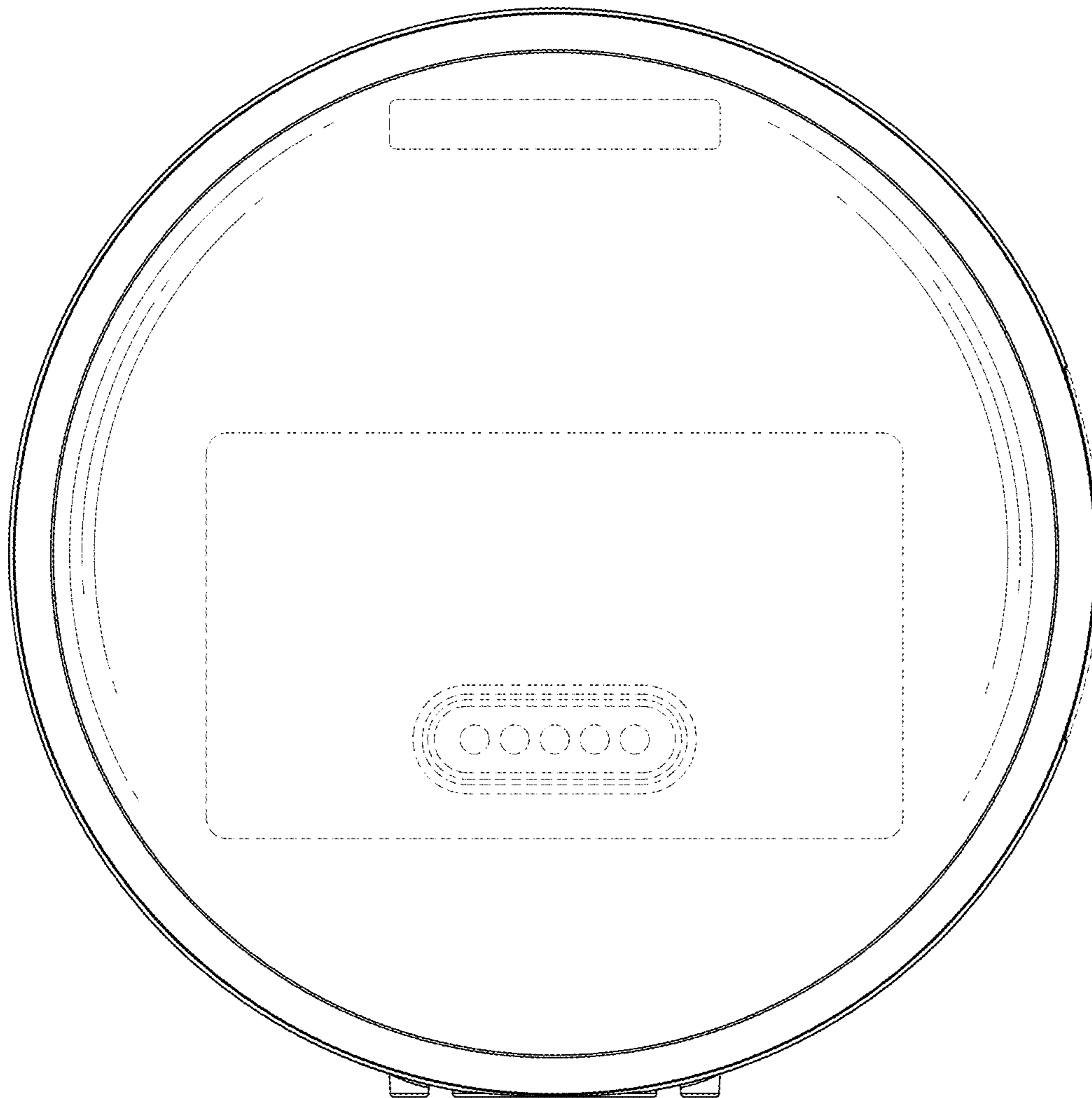


FIG. 3

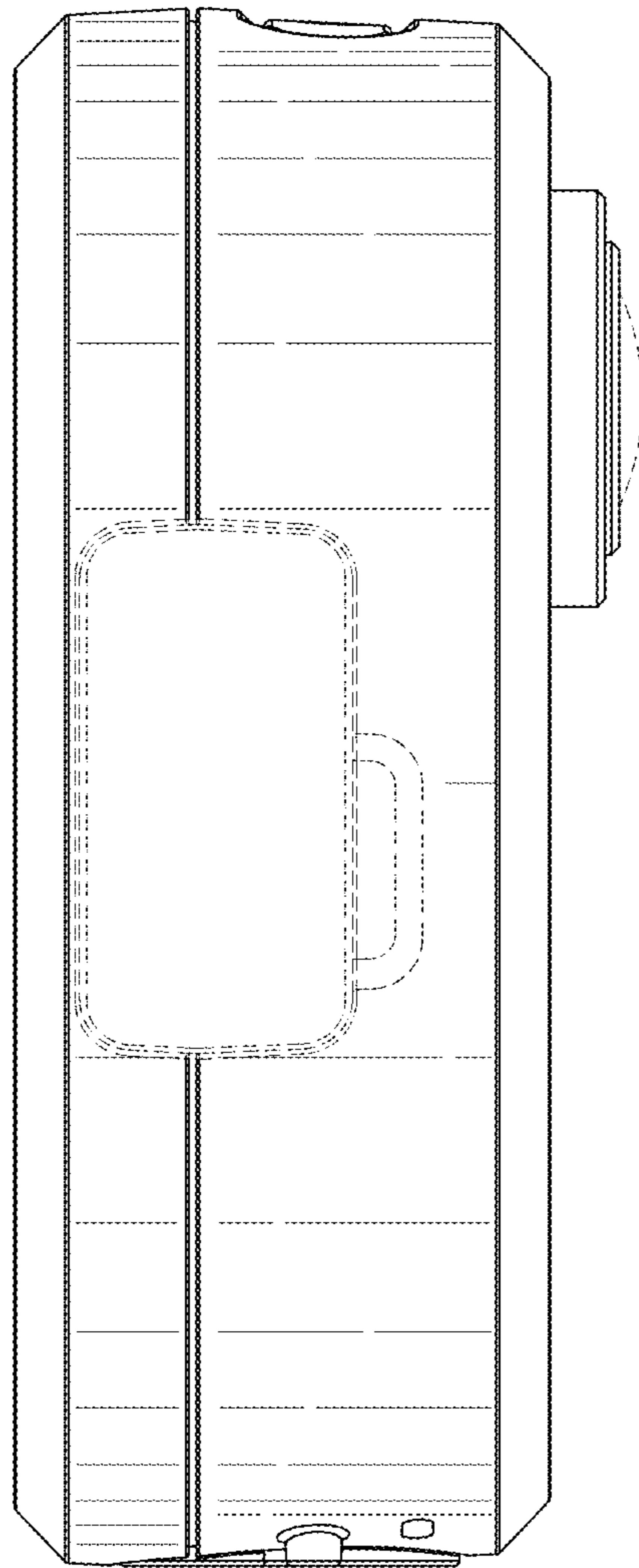


FIG. 4

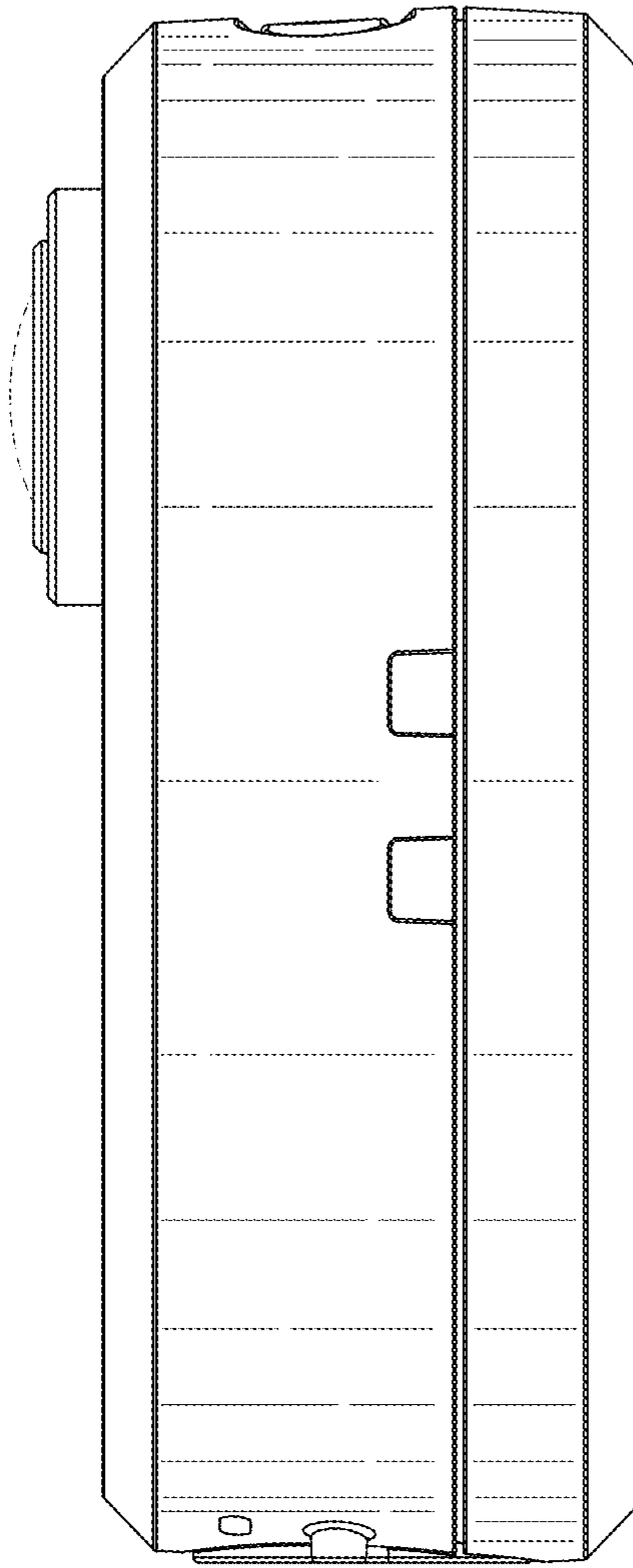


FIG. 5

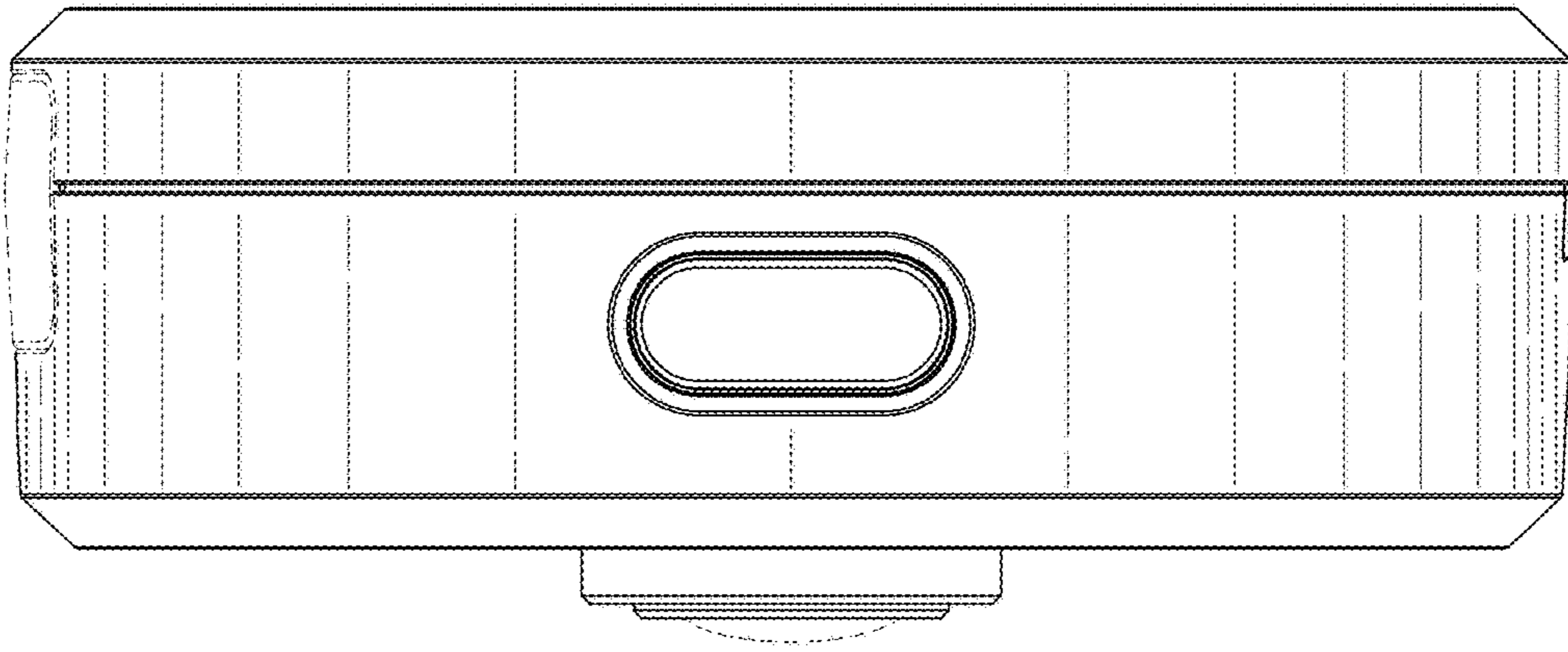


FIG. 6

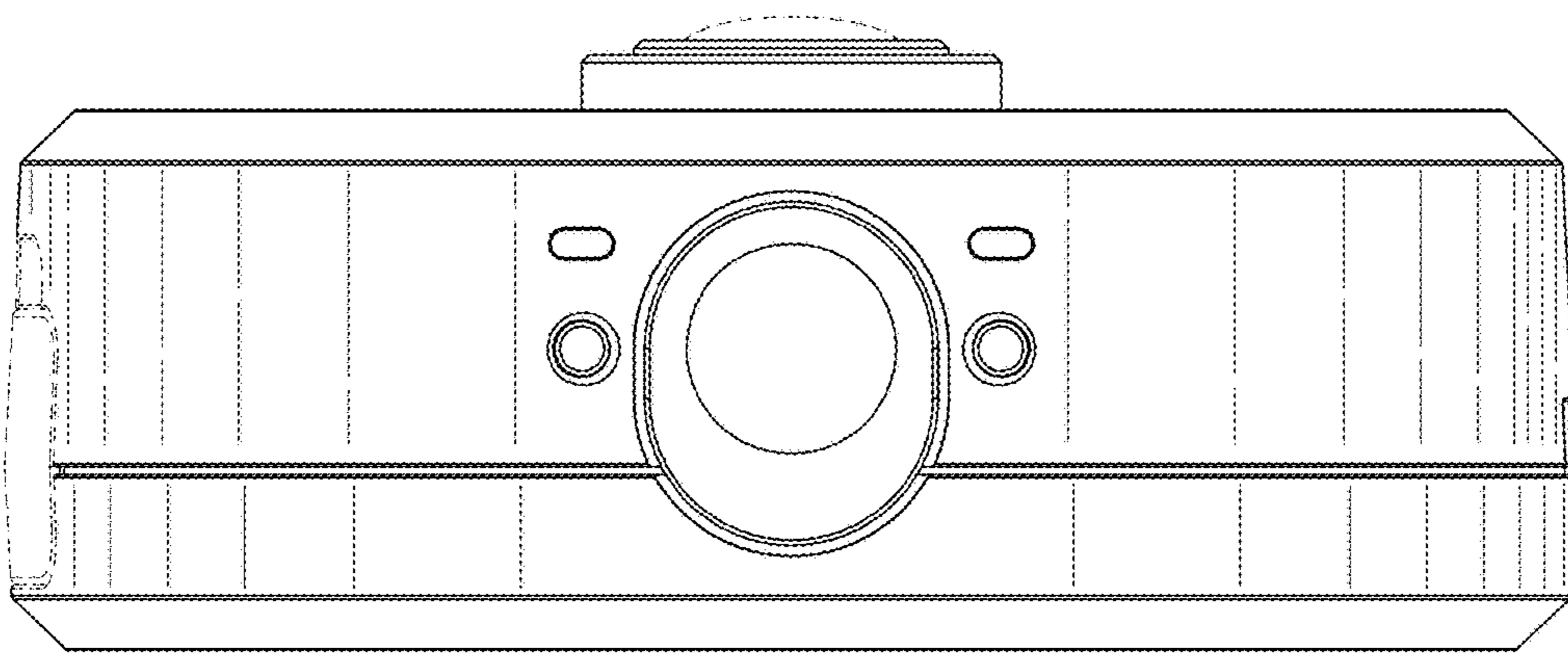


FIG. 7