



US00D803921S

(12) **United States Design Patent** (10) **Patent No.:** **US D803,921 S**
Ballard (45) **Date of Patent:** **** Nov. 28, 2017**

(54) **VIDEO MONITORING DEVICE**
(71) Applicant: **Steven J. Ballard**, San Antonio, TX
(US)
(72) Inventor: **Steven J. Ballard**, San Antonio, TX
(US)
(**) Term: **15 Years**

(21) Appl. No.: **29/556,671**

(22) Filed: **Mar. 2, 2016**

(51) **LOC (10) Cl.** **16-01**

(52) **U.S. Cl.**
USPC **D16/203**

(58) **Field of Classification Search**
USPC D16/200–220, 242; D26/24, 36, 72, 79,
D26/123; D11/146; D10/104.1, 104.2,
D10/106.1, 106.2, 106.5; D9/544, 558;
D7/610; D23/223, 229, 255
CPC .. H04N 3/08; H04N 5/23248; H04N 5/23287;
H04N 5/23258; H04N 5/2251; H04N
5/2252; H04N 7/181; H04N 7/183; H04N
7/18; H04N 2007/145; G01C 11/025;
G03B 15/00; G03B 15/03; G03B 17/56;
G03B 17/02; G03B 17/30; G03B 17/04;
G03B 17/00; G03B 19/04; G03B 3/00;
G08B 13/19619; G08B 13/1963; G08B
13/19632; B60R 1/00; B60R 2300/105;
F16M 11/04; F16M 13/00; Y02E 60/12

See application file for complete search history.

(56) **References Cited**

U.S. PATENT DOCUMENTS

D200,590 S * 3/1965 Van Steenhoven D26/24
D301,634 S * 6/1989 DeCandia D26/63
D311,877 S * 11/1990 Cheng D10/104.1
D319,706 S * 9/1991 Jones D13/184
D335,467 S * 5/1993 Cheng D10/106.7
D338,845 S * 8/1993 Rohrs D10/106.8
D348,063 S * 6/1994 Honma D14/155
D435,799 S * 1/2001 Leen D10/104.1
D443,713 S * 6/2001 Benensohn D26/72

6,322,258 B1 * 11/2001 Ryan G08B 13/196
396/427
D461,485 S * 8/2002 Jones 396/427
D564,005 S * 3/2008 Cheng D16/203
D580,083 S * 11/2008 Sanoner D26/63
D636,805 S * 4/2011 Anneback D16/203
D705,477 S * 5/2014 Chen D26/63
D742,447 S * 11/2015 Stark D16/203
D761,341 S * 7/2016 Katori D16/203
D777,819 S * 1/2017 Bergstrom D16/203
2006/0024046 A1 * 2/2006 Jones G08B 13/19619
396/427

(Continued)

OTHER PUBLICATIONS

Samsung Techwin Outdoor Housing, no date available, [site visited
Mar. 1, 2017], Available from Internet, URL: <https://www.bhphotovideo.com/c/product/983344-REG/samsung_shp_3701h_ptz_camera_outdoor.html>.*

(Continued)

Primary Examiner — Barbara Fox
Assistant Examiner — Mary C Ramirez
(74) *Attorney, Agent, or Firm* — Gunn, Lee & Cave, PC

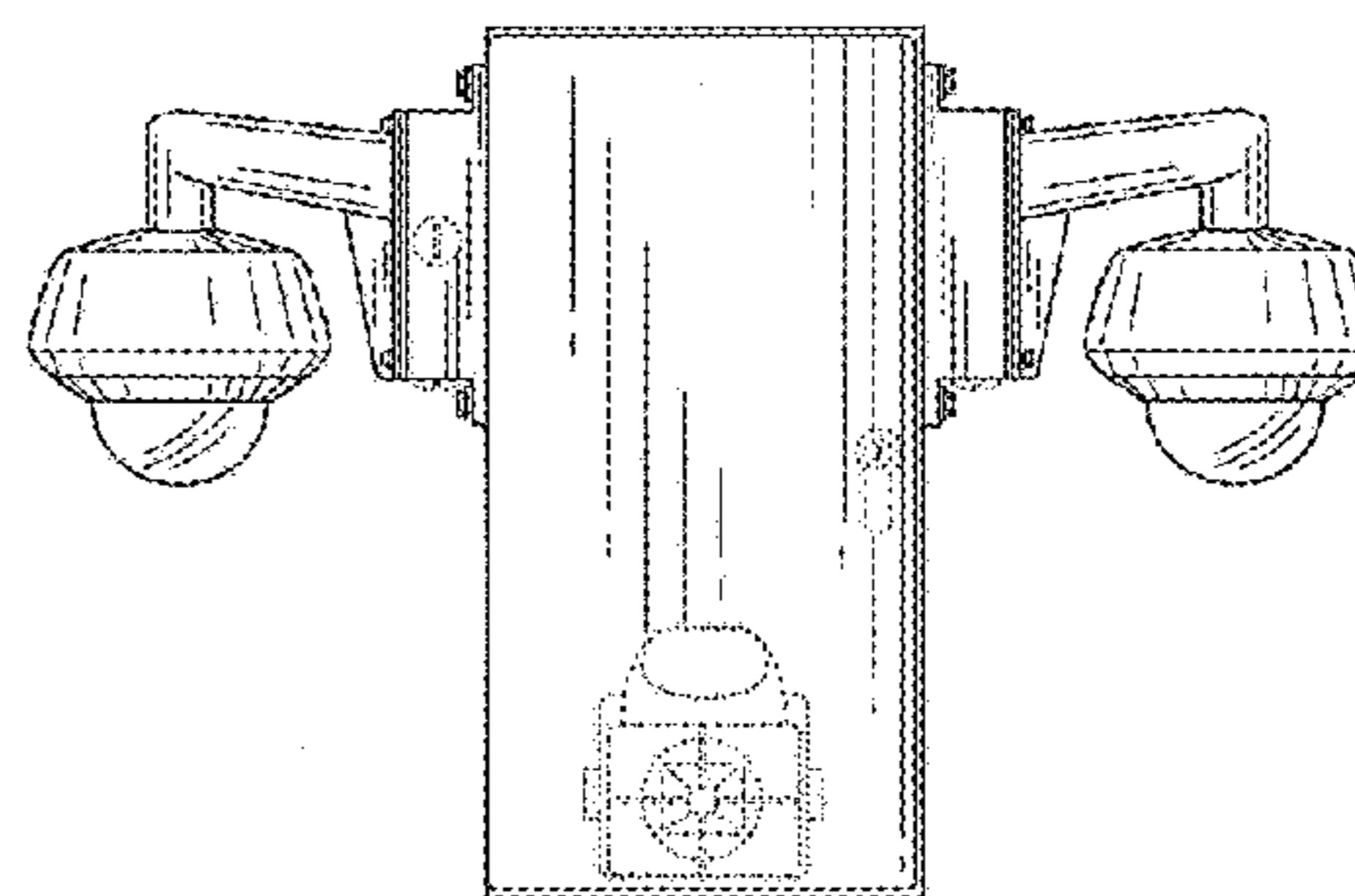
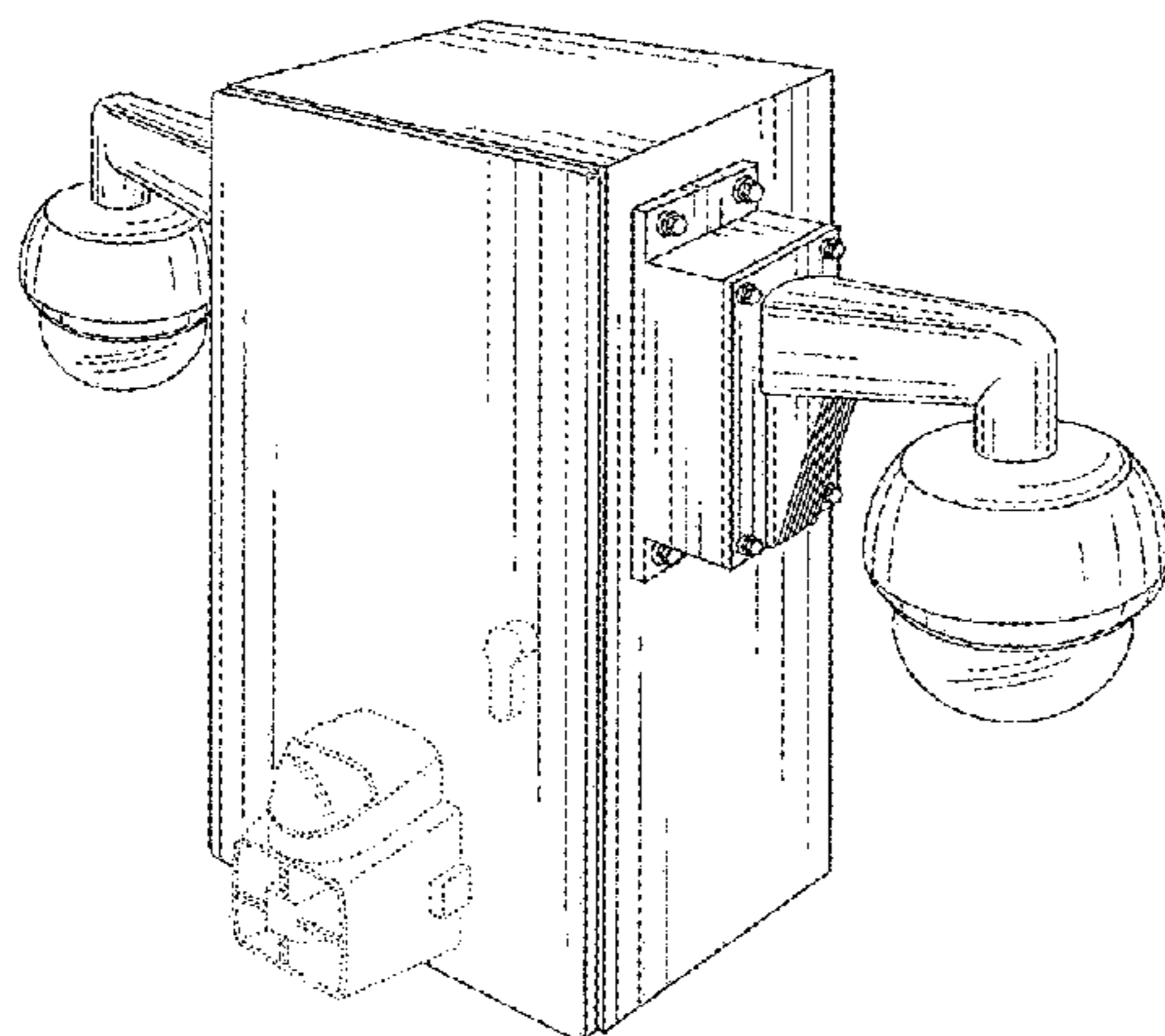
(57) **CLAIM**

The ornamental design for a video monitoring device, as shown and described.

DESCRIPTION

FIG. 1 is a perspective view of a video monitoring device showing my new design.
FIG. 2 is a top view thereof.
FIG. 3 is a front view thereof.
FIG. 4 is left side view thereof.
FIG. 5 is a right side view thereof.
FIG. 6 is a rear view thereof; and,
FIG. 7 is a bottom view thereof.
The broken lines shown in the drawings depict portions of the video monitoring device that form no part of the claimed design.

1 Claim, 4 Drawing Sheets



(56)

References Cited

U.S. PATENT DOCUMENTS

2009/0175612 A1* 7/2009 Wen G03B 15/03
396/155
2012/0257064 A1* 10/2012 Kim G08B 13/19626
348/159
2015/0029340 A1* 1/2015 Taguchi B08B 5/02
348/151
2015/0212393 A1* 7/2015 Heilweil G03B 17/561
396/427
2015/0312448 A1* 10/2015 Stark F16M 13/02
348/374

OTHER PUBLICATIONS

Wall Mount Bracket, announced Sep. 16, 2014 [online], [site visited Mar. 1, 2017], Available from Internet, URL: < <https://web.archive.org/web/20140916213657/http://www.security-camera-warehouse.com/spwmb.php>>.*

Hangzhou Hikvision Digital Technology Co., Ltd., Hikvision Product Specification Sheet for 3MP WDR Outdoor Dome Network Camera (Prod. No. DS-2CD4332FWD-I(Z)(H)(S), Document from Internet published prior to Mar. 2, 2016, available at <http://www.hikvision.com/UploadFile/image/2015080514324654797.pdf> (last visited May 20, 2016).

Hangzhou Hikvision Digital Technology Co., Ltd., Hikvision Product Specification Sheet for Camera Wall Mount (Prod. No. WML), Document from Internet published prior to Mar. 2, 2016, available at <http://overseas1.hikvision.com/uploadfile/image/20150627125915620.PDF> (last visited May 20, 2016).

* cited by examiner

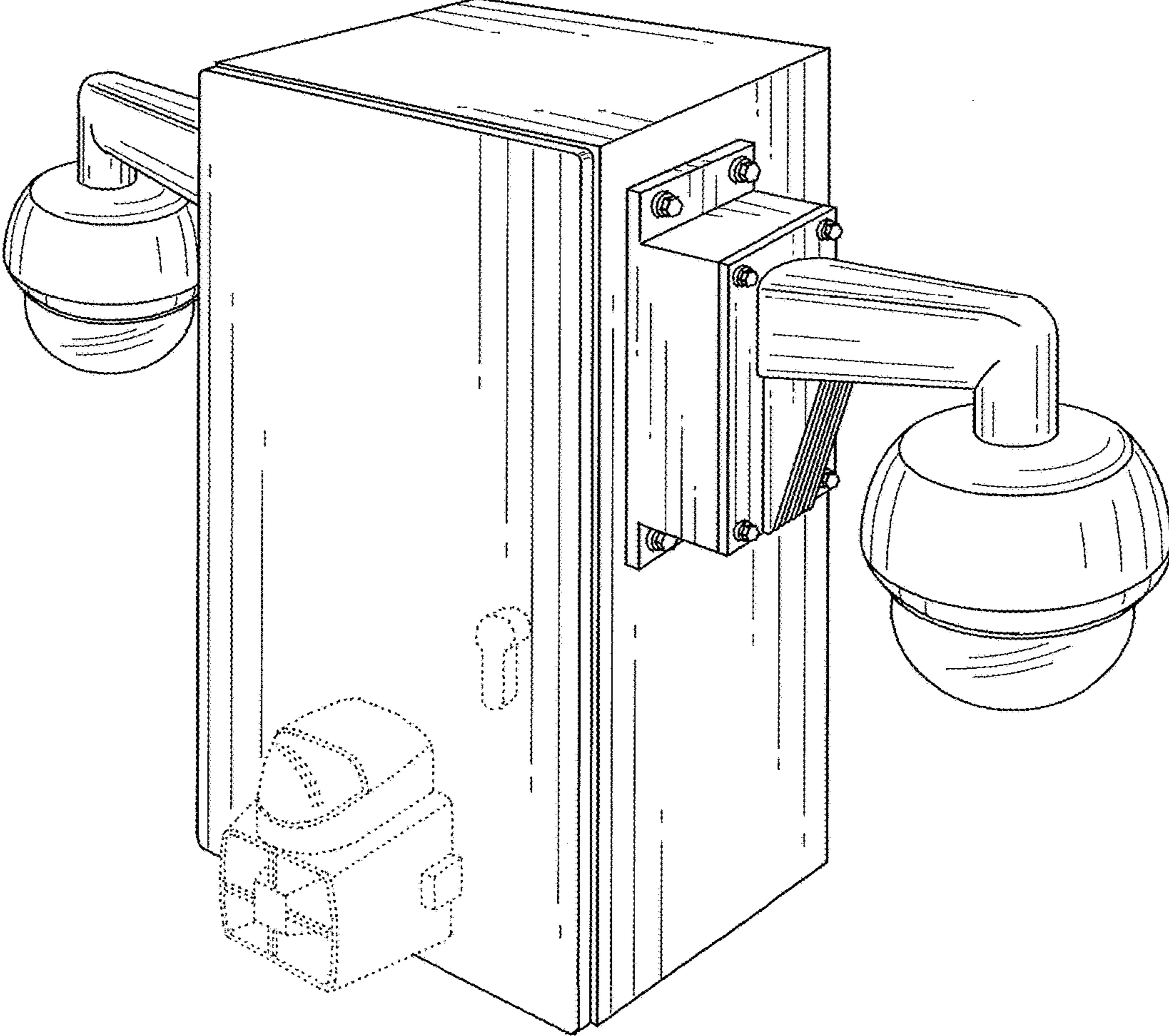


Fig. 1

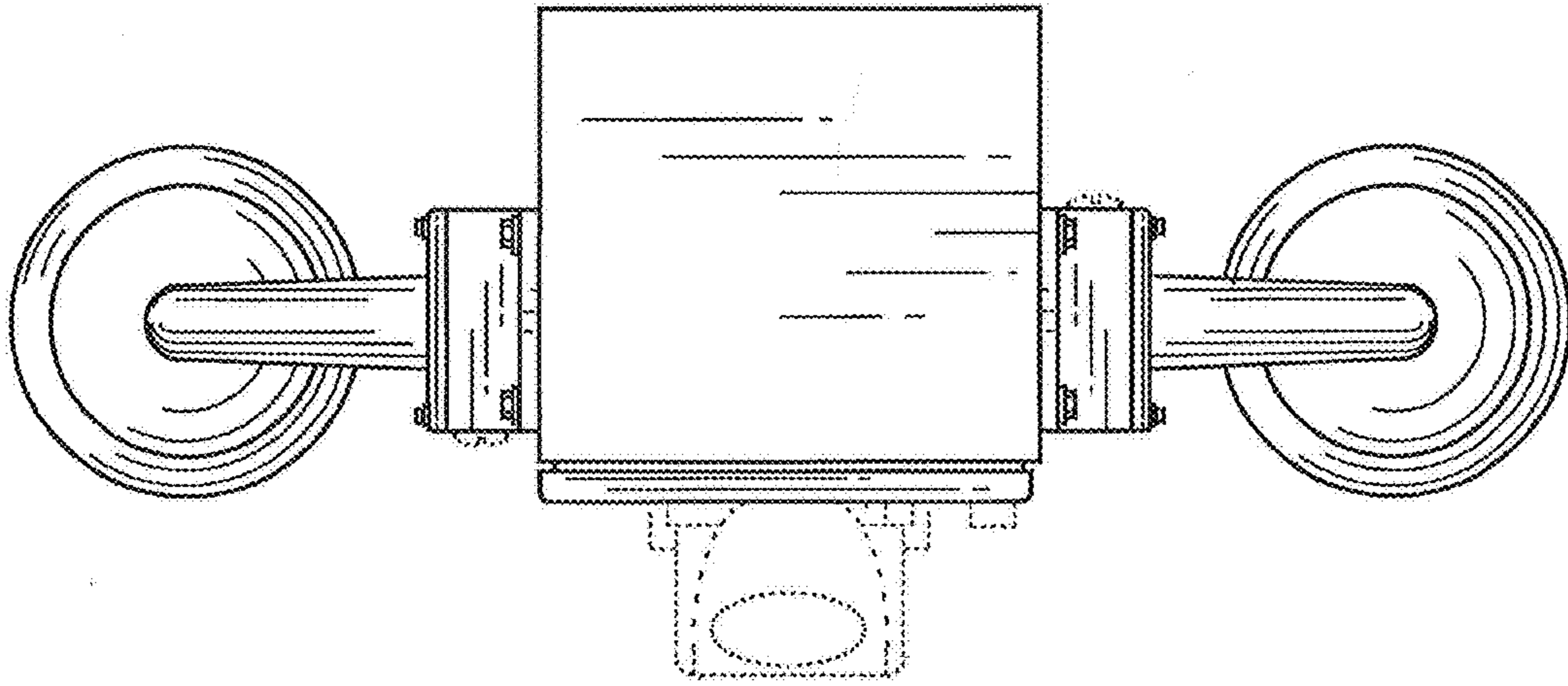


Fig. 2

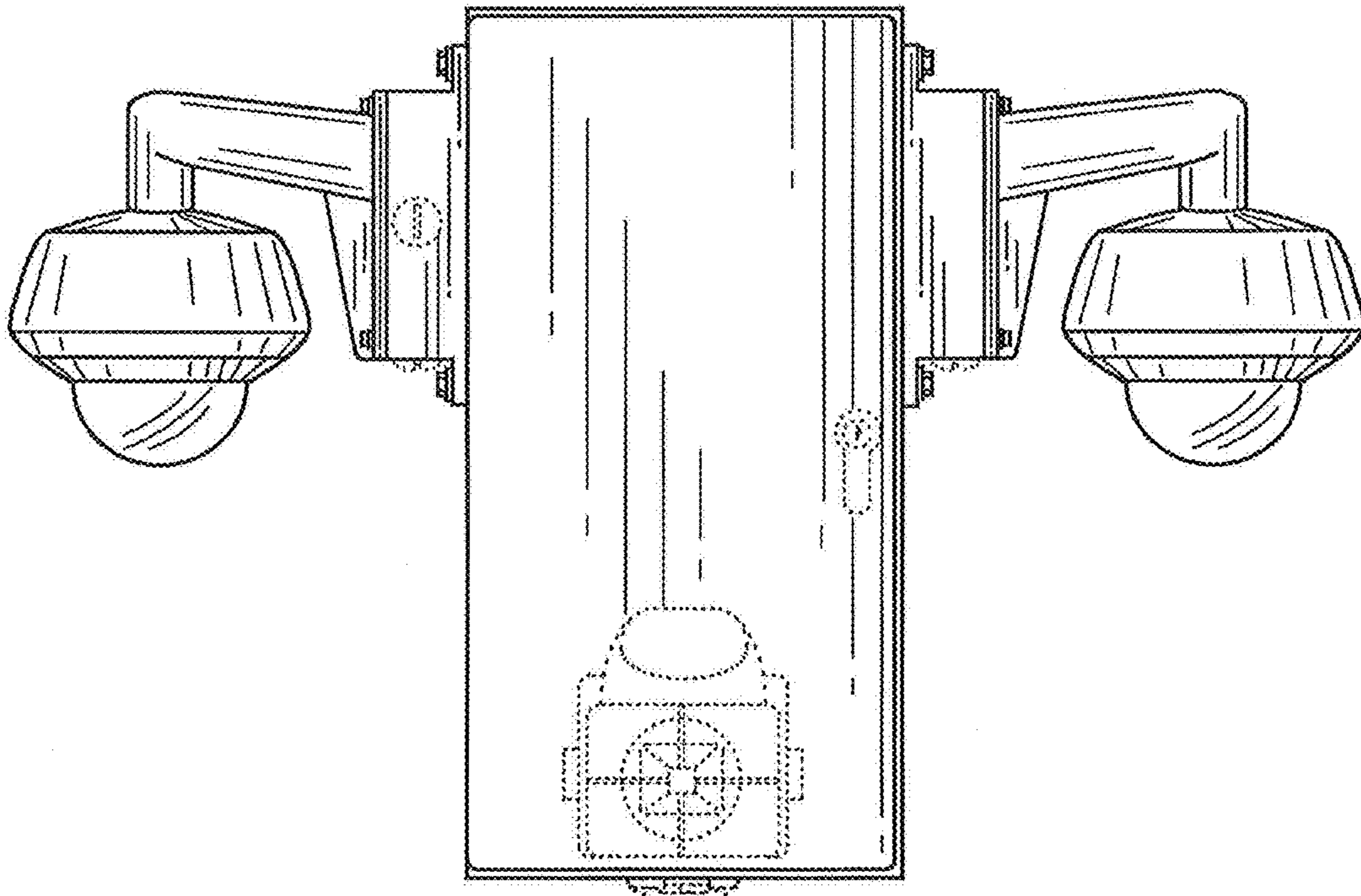


Fig. 3

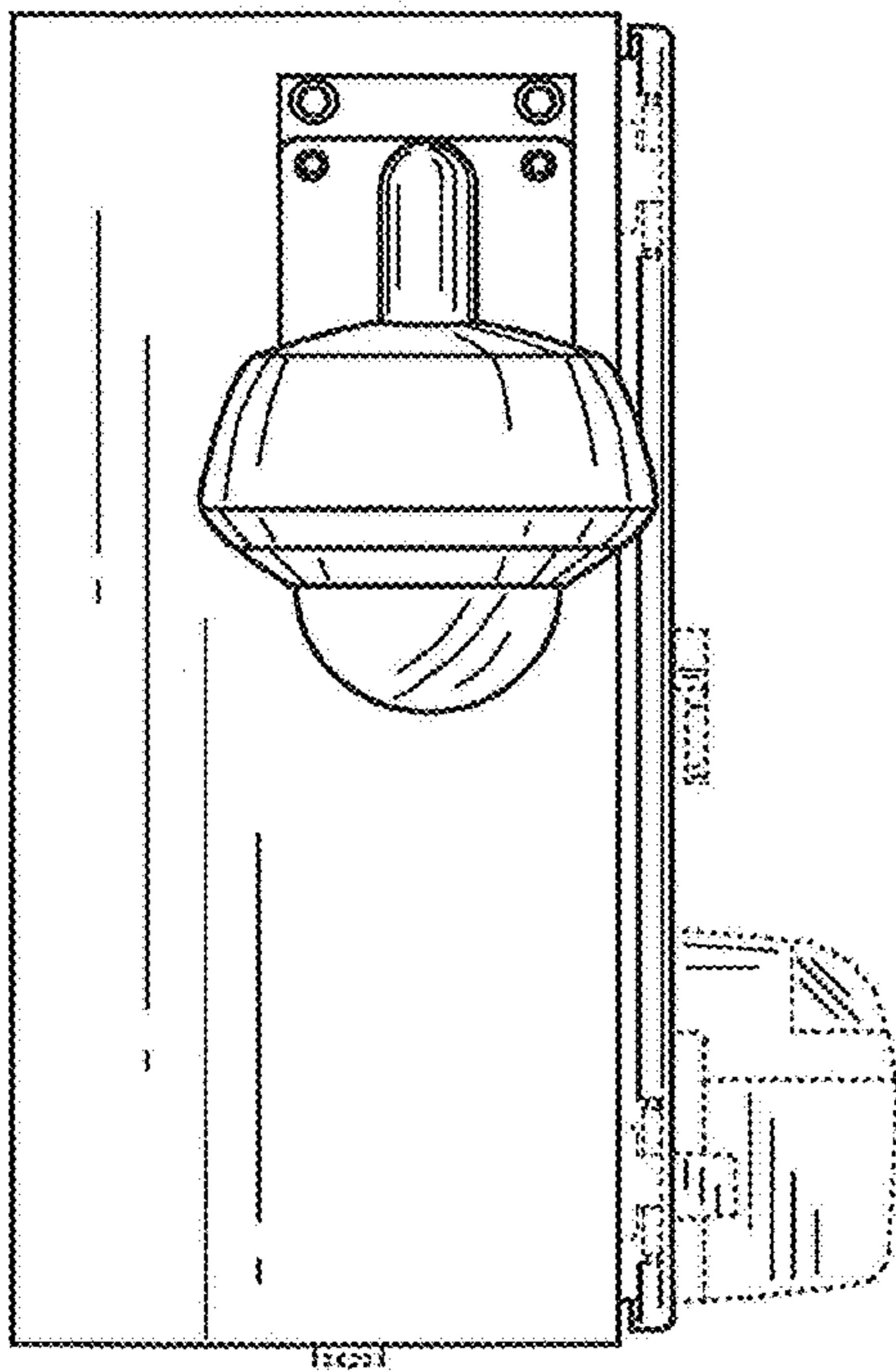


Fig. 4

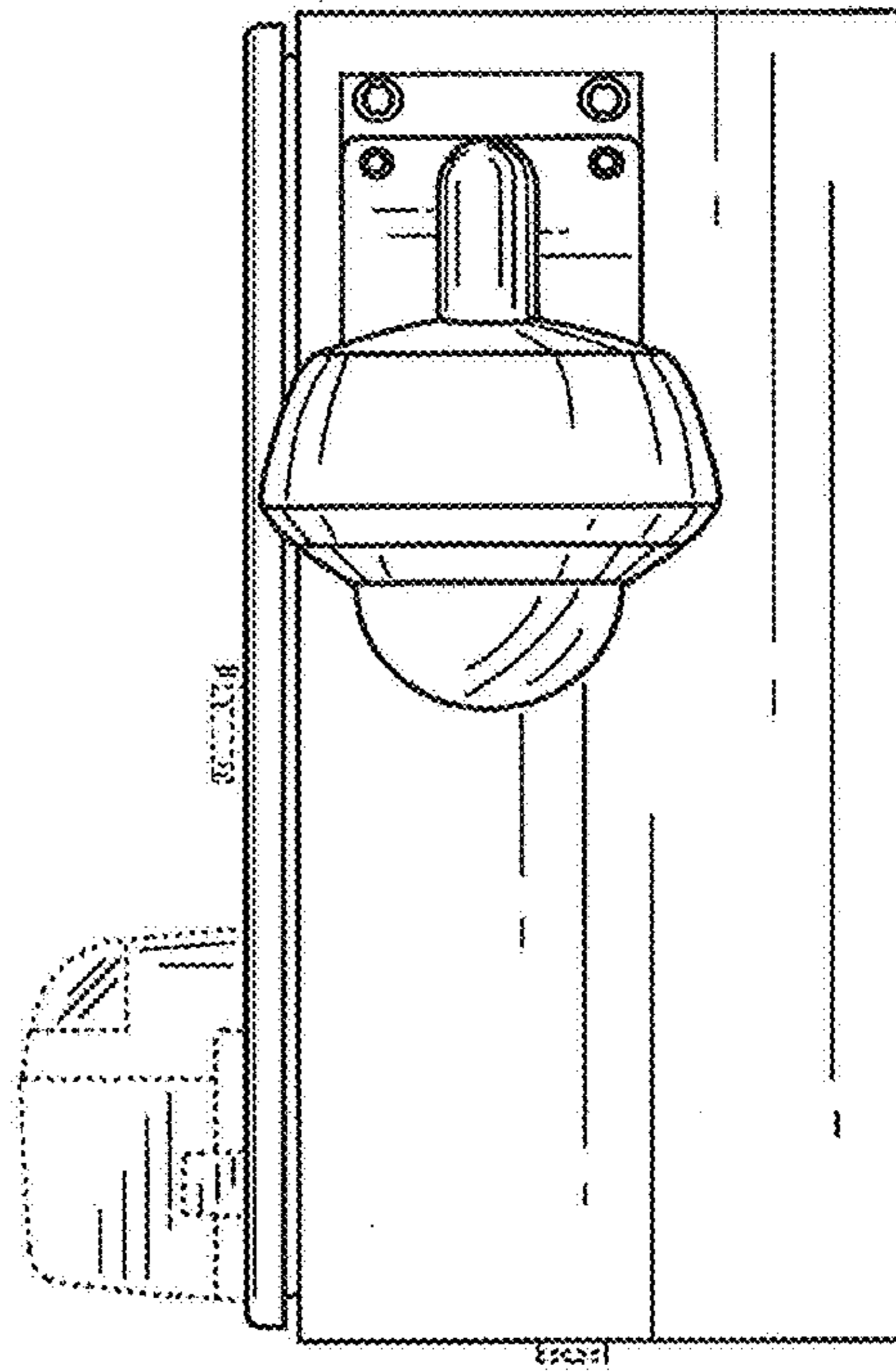


Fig. 5

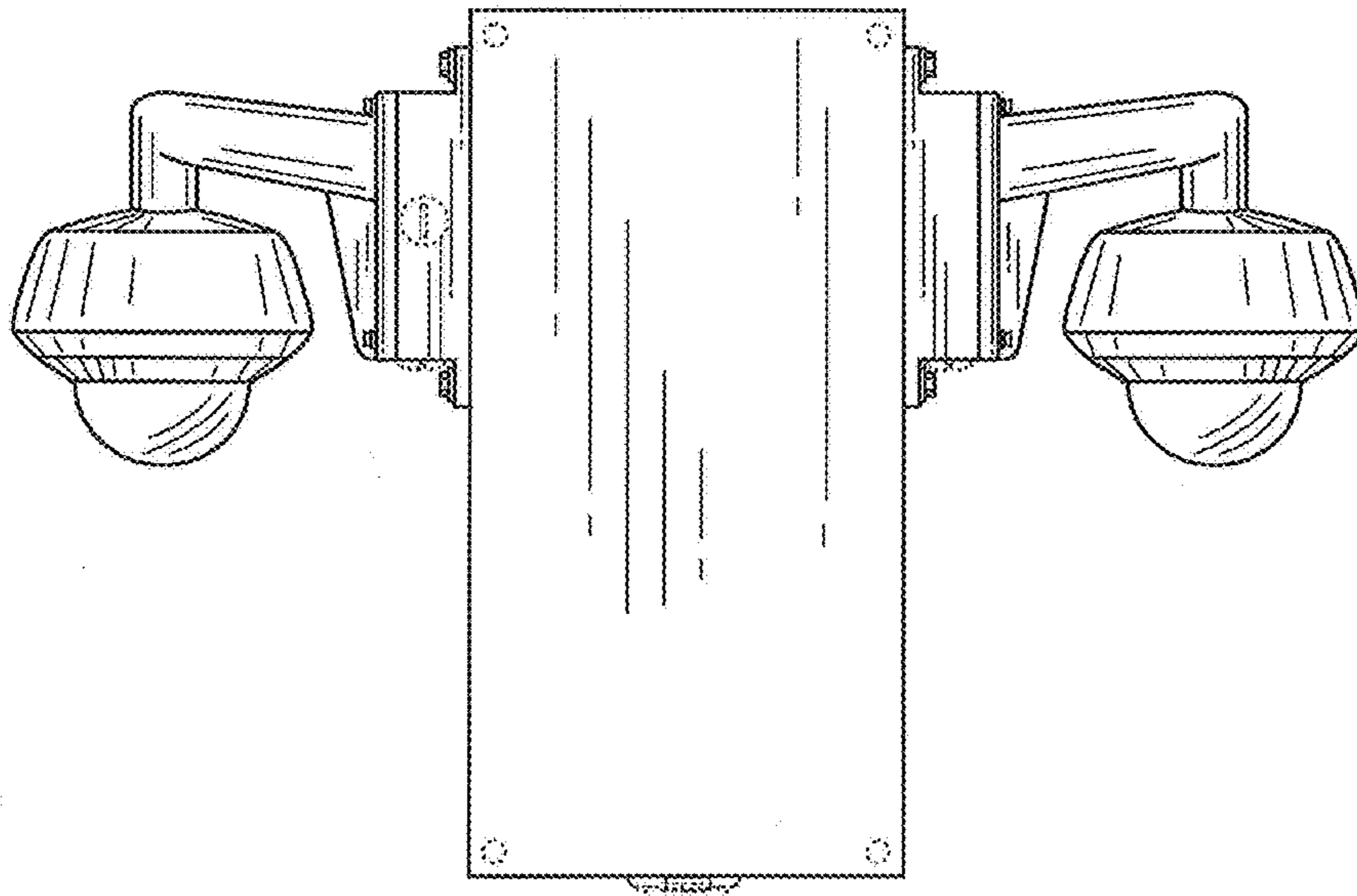


Fig. 6

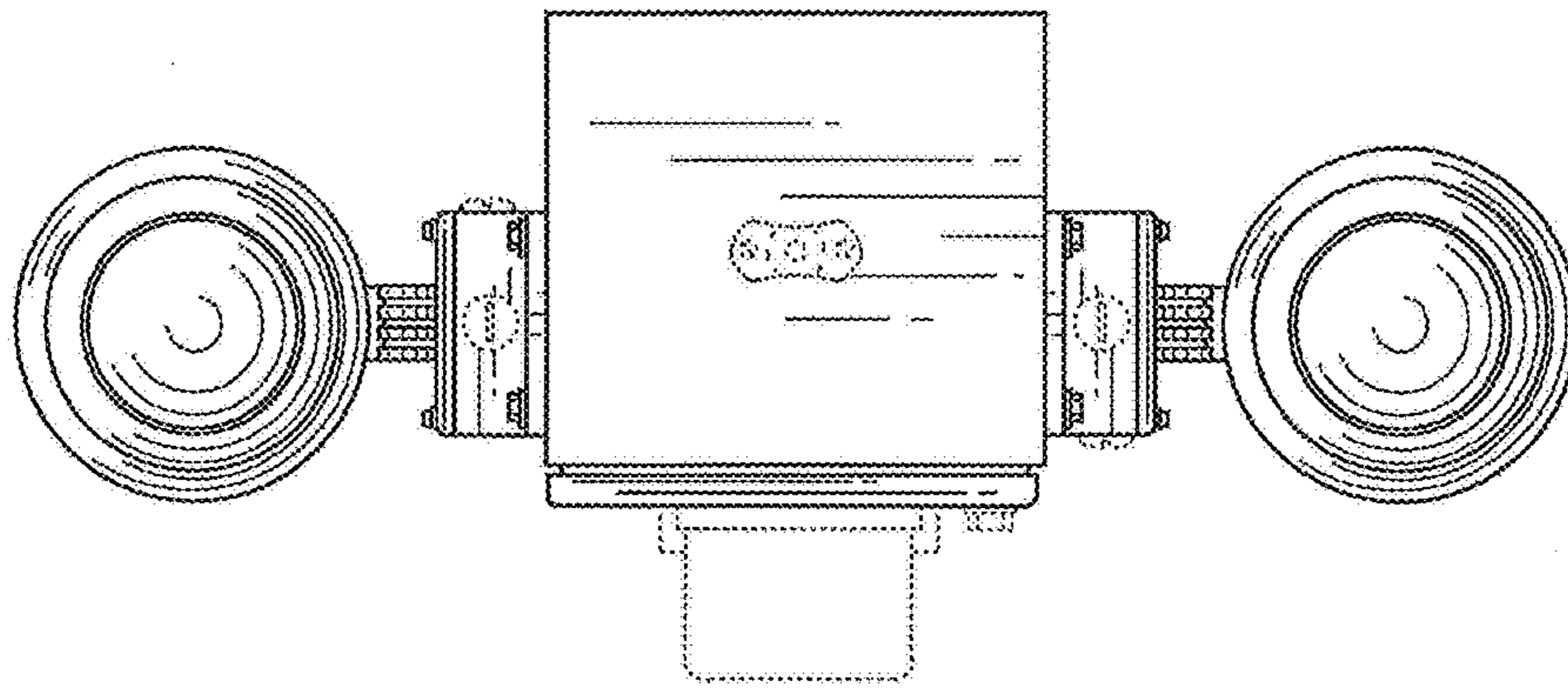


Fig. 7