



US00D803920S

(12) **United States Design Patent**  
**Shin et al.**

(10) **Patent No.:** **US D803,920 S**

(45) **Date of Patent:** **\*\* Nov. 28, 2017**

(54) **SURVEILLANCE CAMERA**

(71) Applicant: **Hanwha Techwin Co., Ltd.**,  
Changwon-si (KR)

(72) Inventors: **JooYoung Shin**, Changwon-si (KR);  
**KwangSeok Jeong**, Changwon-si (KR)

(73) Assignee: **Hanwha Techwin Co., Ltd.**,  
Changwon-si (KR)

(\*\*) Term: **15 Years**

(21) Appl. No.: **29/555,172**

(22) Filed: **Feb. 19, 2016**

(30) **Foreign Application Priority Data**

Sep. 11, 2015 (KR) ..... 30-2015-0046439

(51) **LOC (10) Cl.** ..... **16-01**

(52) **U.S. Cl.**  
USPC ..... **D16/203**

(58) **Field of Classification Search**

USPC ..... D16/200–220, 242; D26/24, 36, 72, 79,  
D26/123; D11/146; D10/104.1, 104.2,  
D10/106.1, 106.2, 106.5; D9/544, 558;  
D7/610; D23/223, 229, 255

CPC .. H04N 3/08; H04N 5/23248; H04N 5/23287;  
H04N 5/23258; H04N 5/2251; H04N  
5/2252; H04N 7/181; H04N 7/183; H04N  
7/18; H04N 2007/145; G01C 11/025;  
G03B 15/00; G03B 15/03; G03B 17/56;  
G03B 17/02; G03B 17/30; G03B 17/04;  
G03B 17/00; G03B 19/04; G03B 3/00;  
G08B 13/19619; G08B 13/1963; G08B  
13/19632; B60R 1/00; B60R 2300/105;  
F16M 11/04; F16M 13/00; Y02E 60/12

See application file for complete search history.

(56) **References Cited**

**U.S. PATENT DOCUMENTS**

D405,456 S \* 2/1999 Lefkowitz ..... D16/203  
D542,320 S \* 5/2007 Cheng ..... D16/203

D552,649 S \* 10/2007 Logan ..... D16/200  
D563,446 S \* 3/2008 Stephens ..... D16/202  
D662,120 S \* 6/2012 Deurwaarder ..... D16/203  
D678,929 S \* 3/2013 Hancock ..... D16/202  
D682,911 S \* 5/2013 Ohashi ..... D16/219  
D719,202 S \* 12/2014 Lee ..... D16/202  
D728,654 S \* 5/2015 Lee ..... D16/202  
D730,966 S \* 6/2015 Liu ..... D16/202  
D741,931 S \* 10/2015 Huang ..... D16/202  
D745,587 S \* 12/2015 Leung ..... D16/203  
D751,619 S \* 3/2016 Jeong ..... D16/203  
D753,206 S \* 4/2016 Ravat ..... D16/203

(Continued)

**OTHER PUBLICATIONS**

Samsung Gear 360, announced Feb. 21, 2016 [online], [site visited Feb. 27, 2017], Available from Internet, URL: <<http://www.theverge.com/2016/2/21/11081450/samsung-gear-360-camera-video-specs-mwc-2016>>.\*

(Continued)

*Primary Examiner* — Barbara Fox

*Assistant Examiner* — Mary C Ramirez

(74) *Attorney, Agent, or Firm* — Sughrue Mion, PLLC

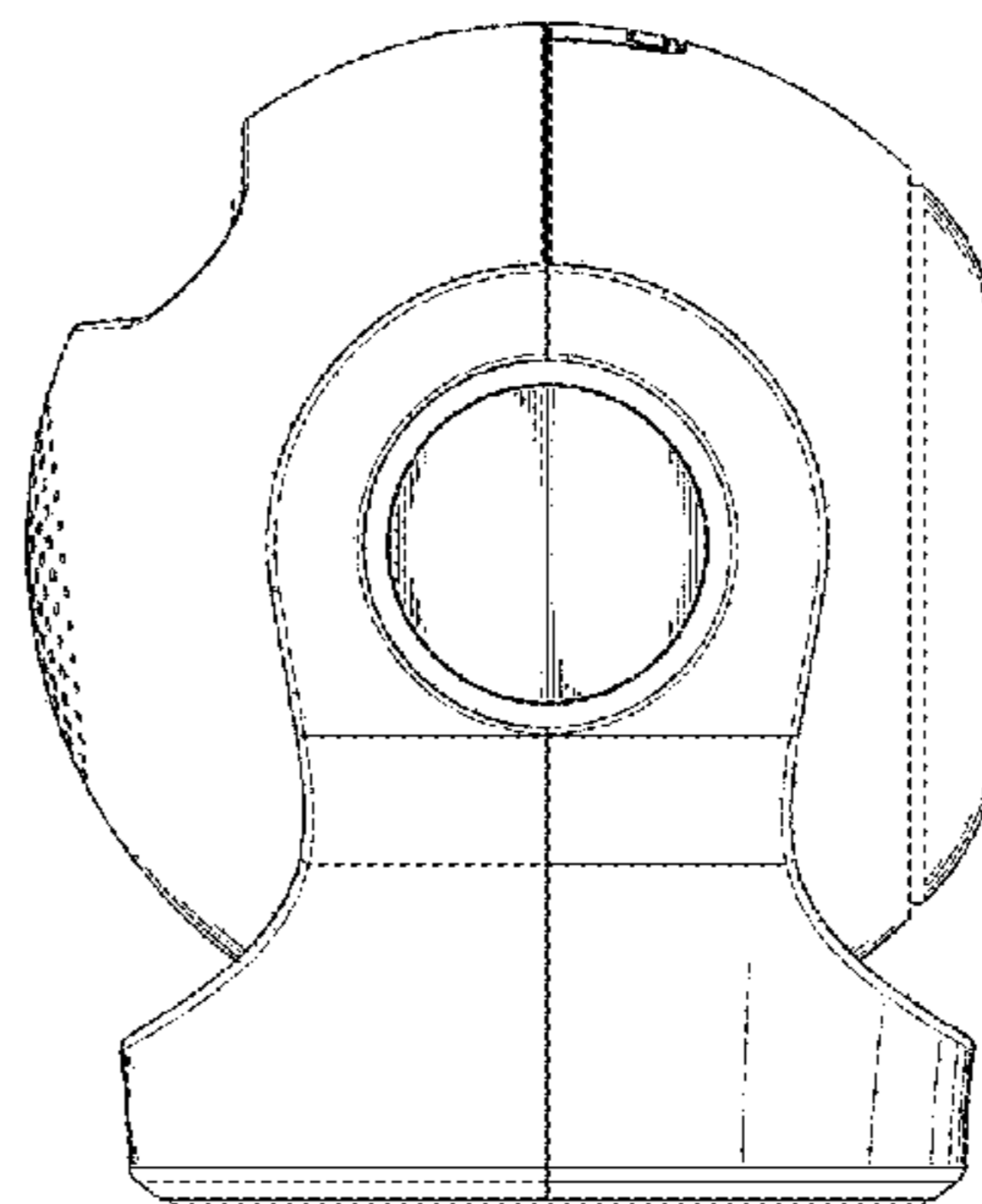
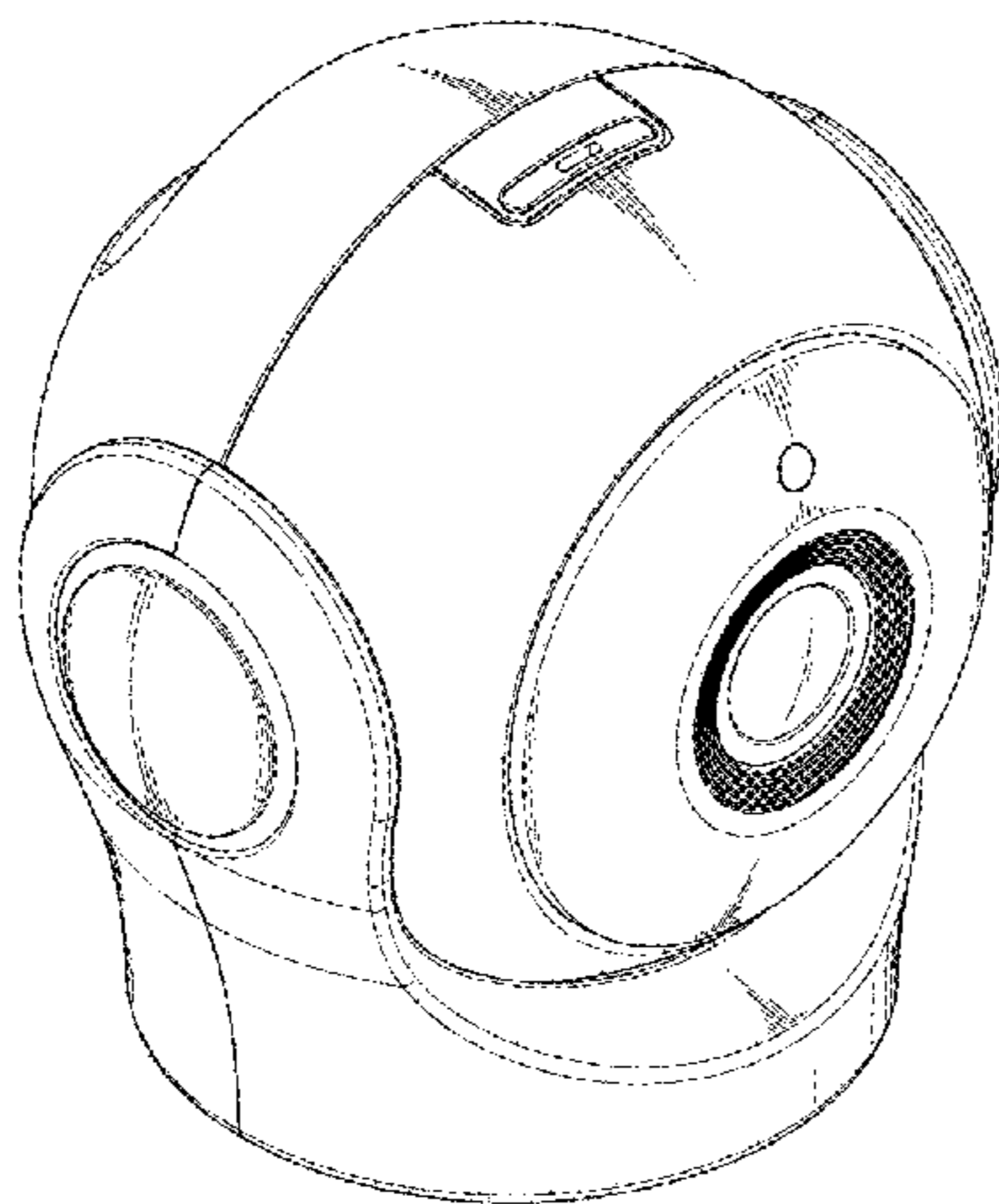
(57) **CLAIM**

The ornamental design for a surveillance camera, as shown and described.

**DESCRIPTION**

FIG. 1 is a front perspective view of the surveillance camera showing the new design;  
FIG. 2 is a front view thereof;  
FIG. 3 is a rear view thereof;  
FIG. 4 is a left side view thereof;  
FIG. 5 is a right side view thereof;  
FIG. 6 is a top view thereof; and,  
FIG. 7 is a bottom view thereof.

**1 Claim, 7 Drawing Sheets**



(56)

**References Cited**

## U.S. PATENT DOCUMENTS

D757,835 S \* 5/2016 Tabuchi ..... D16/203  
2005/0206779 A1\* 9/2005 Aoki ..... F16M 11/10  
348/373  
2008/0008467 A1\* 1/2008 Liu ..... G03B 17/02  
396/427  
2014/0327610 A1\* 11/2014 Athavale ..... G06F 3/011  
345/156  
2015/0281650 A1\* 10/2015 Mohan ..... H04N 5/2254  
348/143  
2016/0286607 A1\* 9/2016 Mishra ..... G08B 19/005

## OTHER PUBLICATIONS

Insta360 Air, announced Jan. 10, 2017 [online], [site visited Feb. 27, 2017], Available from Internet, URL: <<http://360rumors.blogspot.com/2017/01/ces-2017-hands-on-with-insta360-air.html>>.\*

Motorola MBP36S, date unavailable [online], [site visited Feb. 27, 2017], Available from Internet, URL: <<https://www.babyfoon-met-camera.nl/webshop/babyfoons-met-camera/detail/115/motorola-mbp36s-extra-camera-mbp36sbu.html>>.\*

Motorola MBP85CONNECT, date unavailable [online], [site visited Feb. 27, 2017], Available from Internet, URL: <<https://www.babyfoon-met-camera.nl/webshop/babyfoons-met-camera/detail/182/motorola-mbp85connect-wifi-video-baby-monitor-camera.html>>.\*

\* cited by examiner

FIG. 1

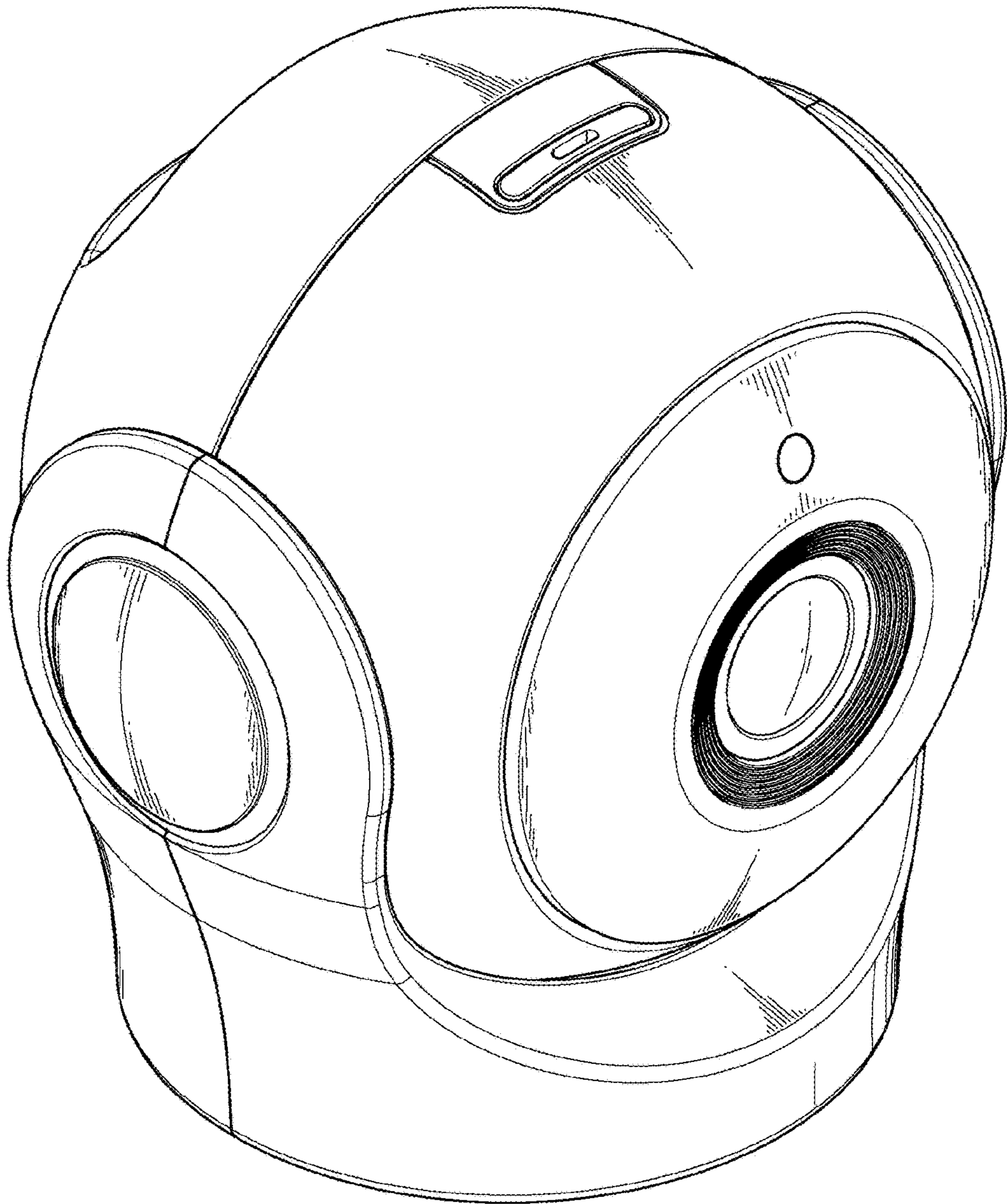


FIG. 2

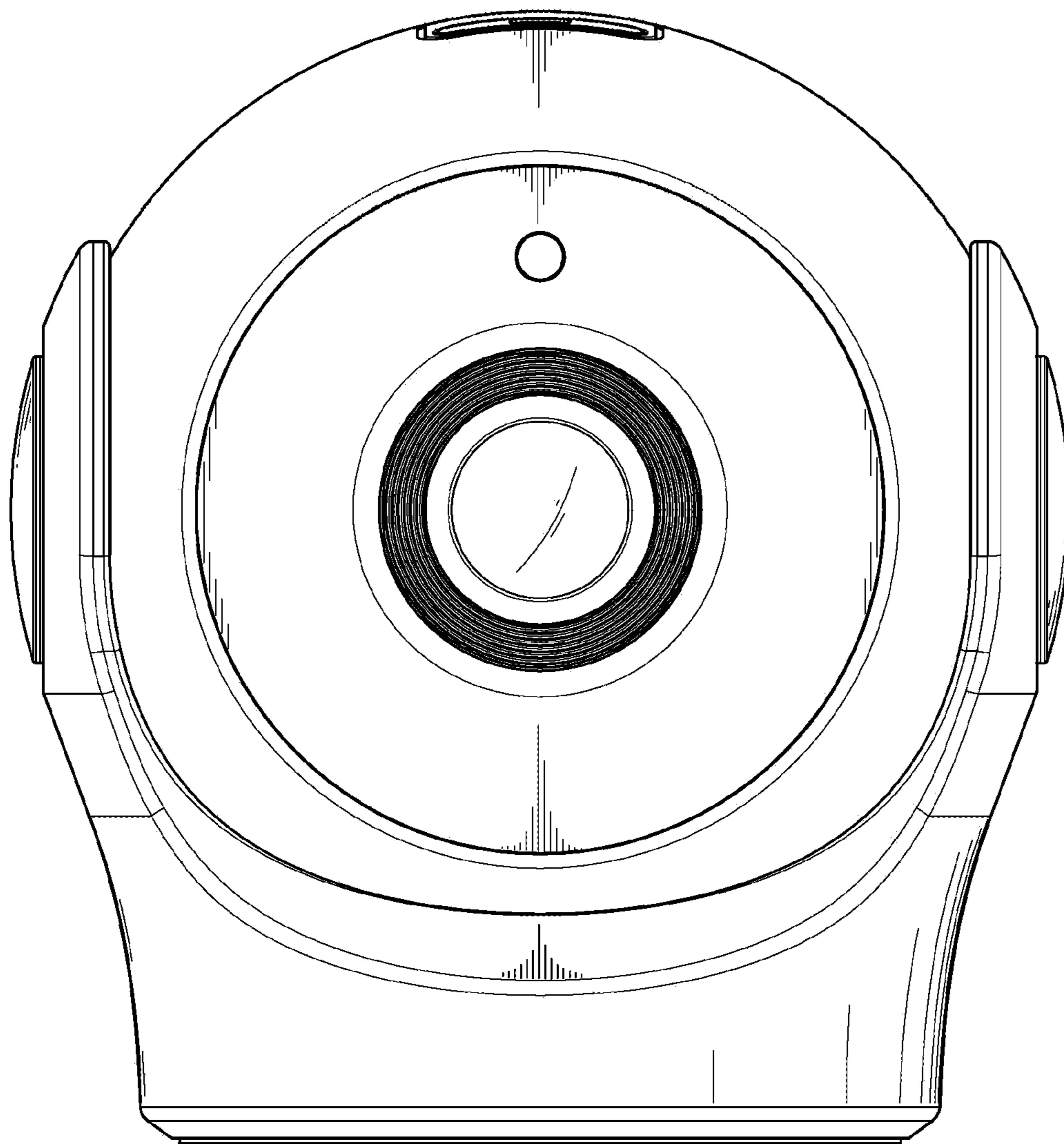


FIG. 3

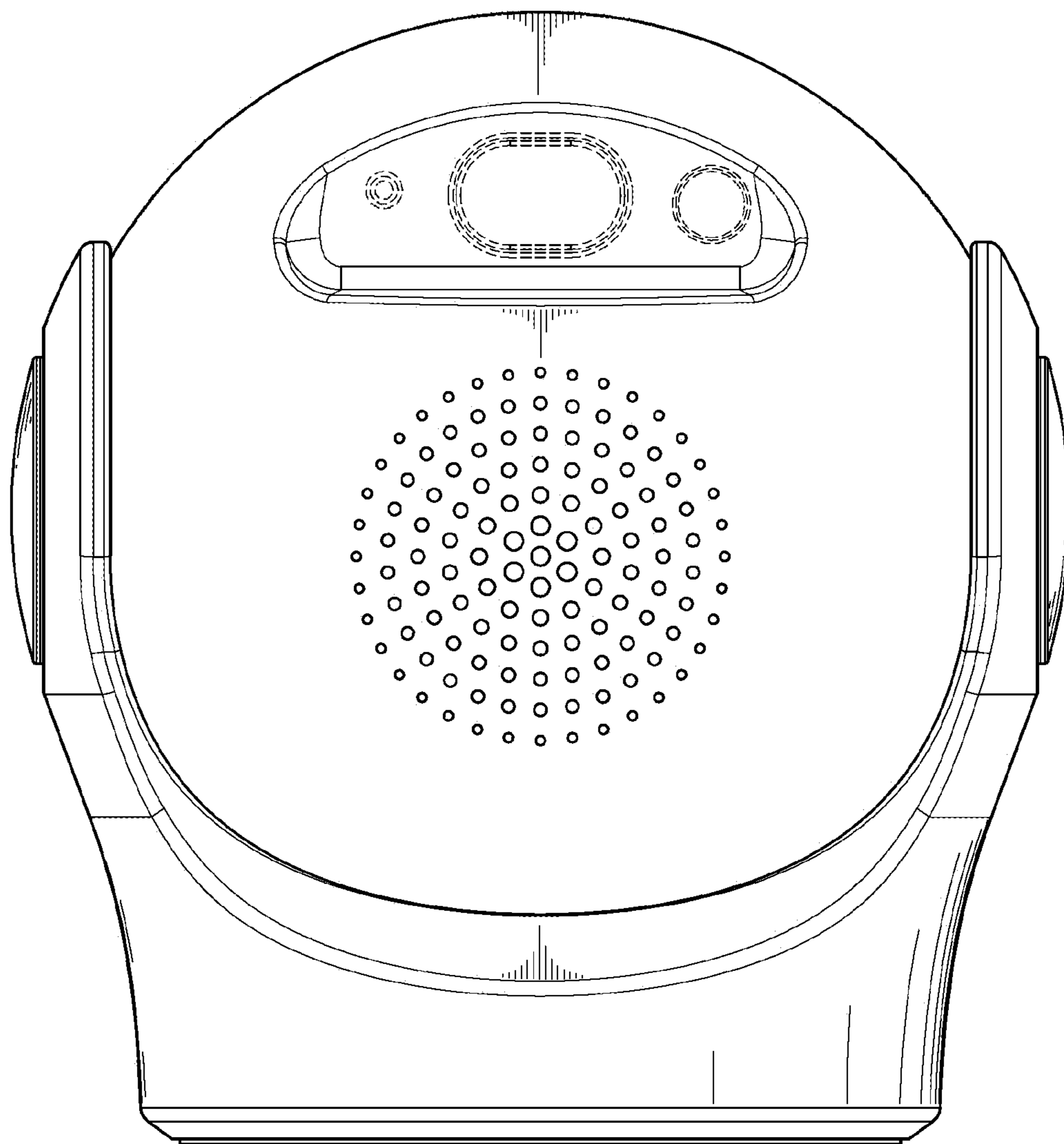


FIG. 4

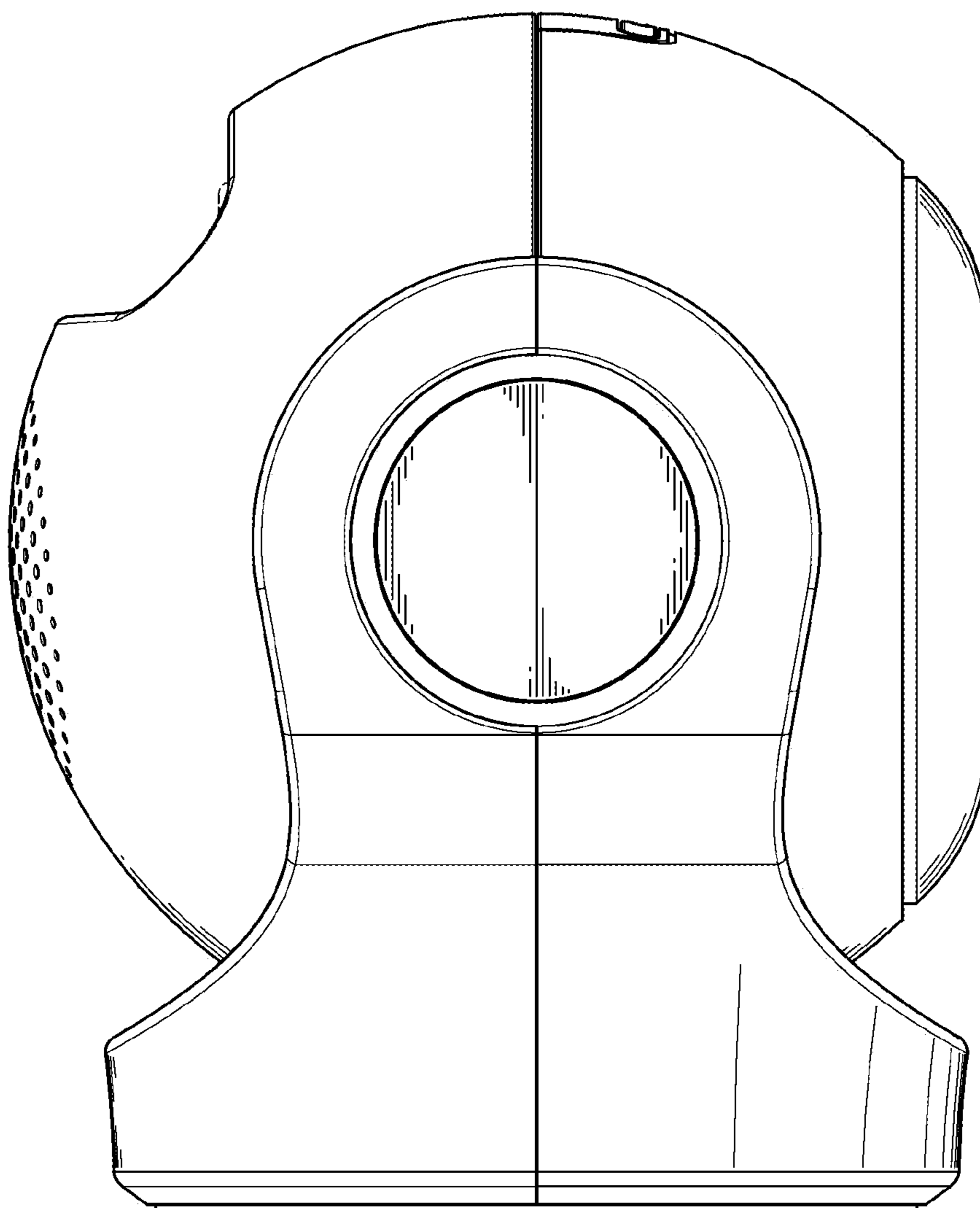


FIG. 5

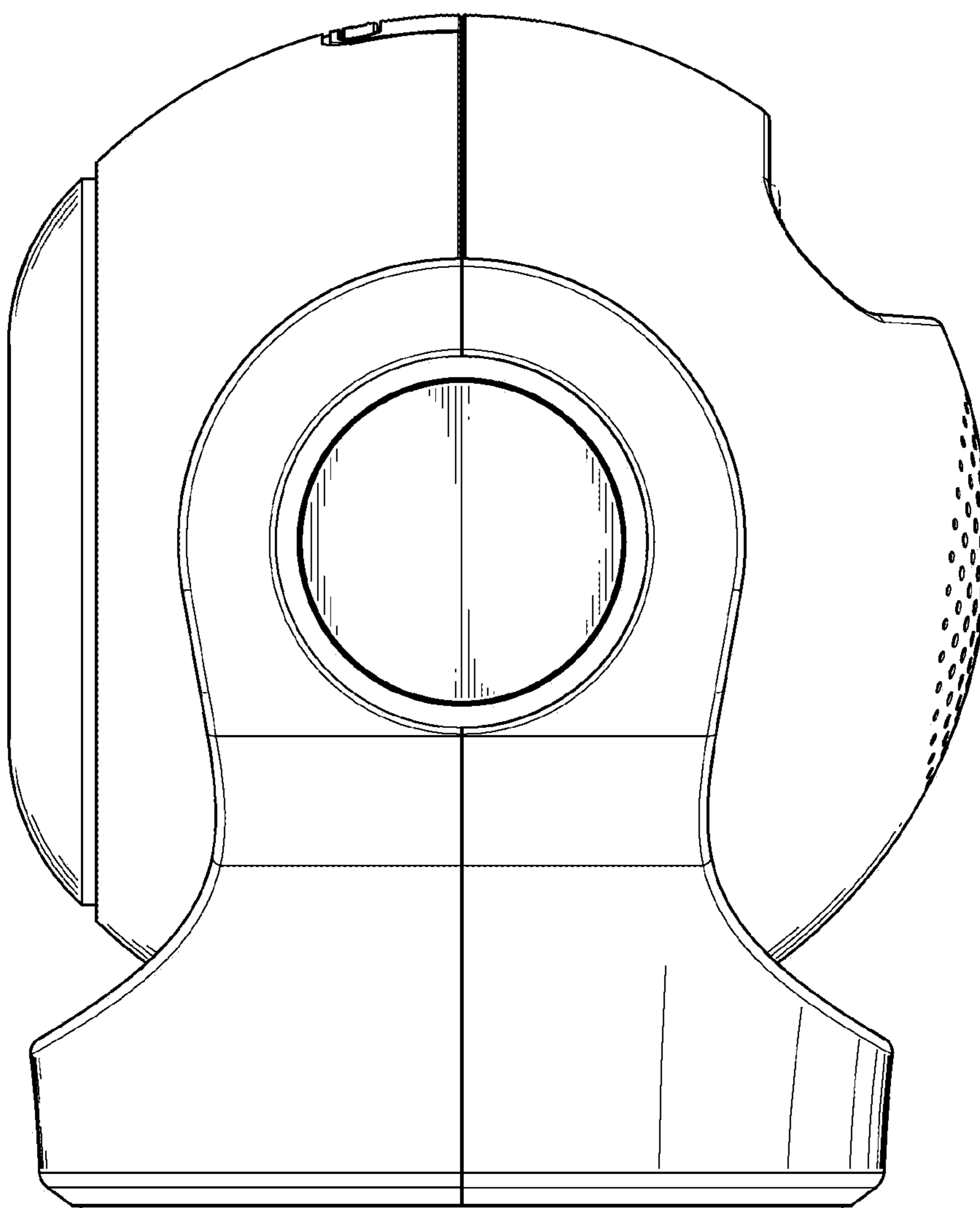


FIG. 6

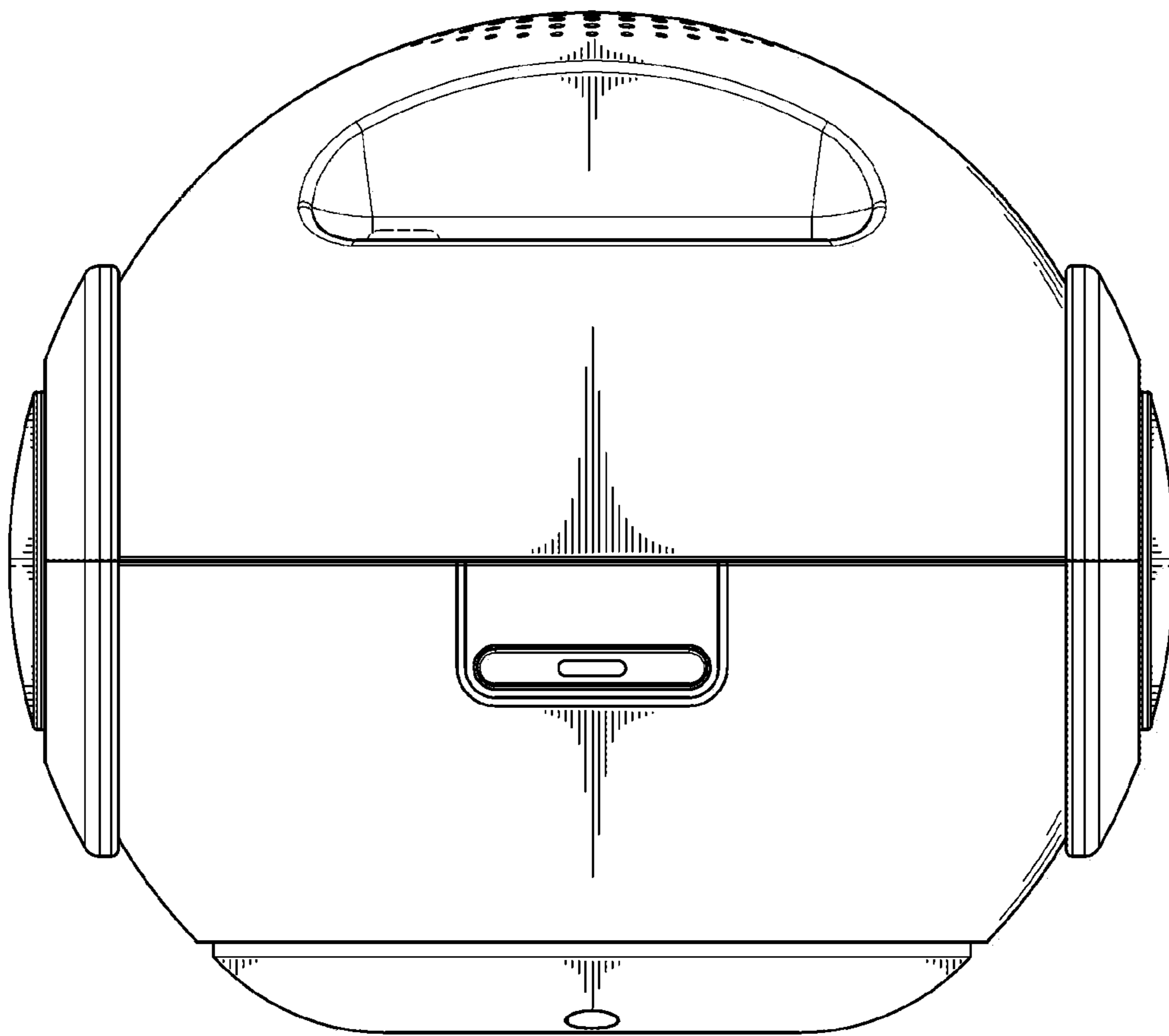




FIG. 7

