



US00D803919S

(12) **United States Design Patent**
Jeong

(10) **Patent No.:** **US D803,919 S**

(45) **Date of Patent:** **** Nov. 28, 2017**

- (54) **BLACK BOX FOR VEHICLE**
- (71) Applicant: **LG INNOTEK CO., LTD.**, Seoul (KR)
- (72) Inventor: **Ki Hyun Jeong**, Seoul (KR)
- (73) Assignee: **LG INNOTEK CO., LTD.**, Seoul (KR)
- (**) Term: **15 Years**

- D723,087 S * 2/2015 Jang D16/219
- D745,907 S * 12/2015 Ham D16/202
- D746,348 S * 12/2015 Park D16/203
- D746,891 S * 1/2016 Ham D16/219
- D747,396 S * 1/2016 Cho D16/219
- D748,713 S * 2/2016 Lee D16/219
- D749,663 S * 2/2016 Cho D16/219
- D750,150 S * 2/2016 Cho D16/219

(Continued)

- (21) Appl. No.: **29/568,056**
- (22) Filed: **Jun. 15, 2016**
- (51) **LOC (10) Cl.** **16-01**
- (52) **U.S. Cl.**
USPC **D16/202; D14/138 C**
- (58) **Field of Classification Search**
USPC D10/40, 46, 47, 49, 50, 52, 61, 63, 65,
D10/70, 71, 78, 81, 82, 90, 95, 102,
D10/106.6, 106.8, 106.9, 114.3, 118,
D10/118.2; D14/125, 137-139, 138 C,
D14/341-348, 480.1, 507-510; D16/202,
D16/203, 217, 220
CPC G07C 5/0891
See application file for complete search history.

OTHER PUBLICATIONS

LG Innotek Blackbox RNEK-MN31A Front & Rear 2Channel Video Recording Physical Impact & Motion Sensor, posted on lazada.com.my, page copyrighted 2016, no production date given, [online], [site visited Apr. 5, 2017], Available from Internet, <URL: http://www.lazada.com.my/lg-innotek-blackbox-rnek-mn31a-front-amp-rear-2channel-videorecording-physical-im.*

(Continued)

Primary Examiner — Melanie H Tung
Assistant Examiner — Fritzgerald Butac
(74) *Attorney, Agent, or Firm* — Ked & Associates LLP

(57) **CLAIM**

The ornamental design for a black box for vehicle, as shown and described.

(56) **References Cited**

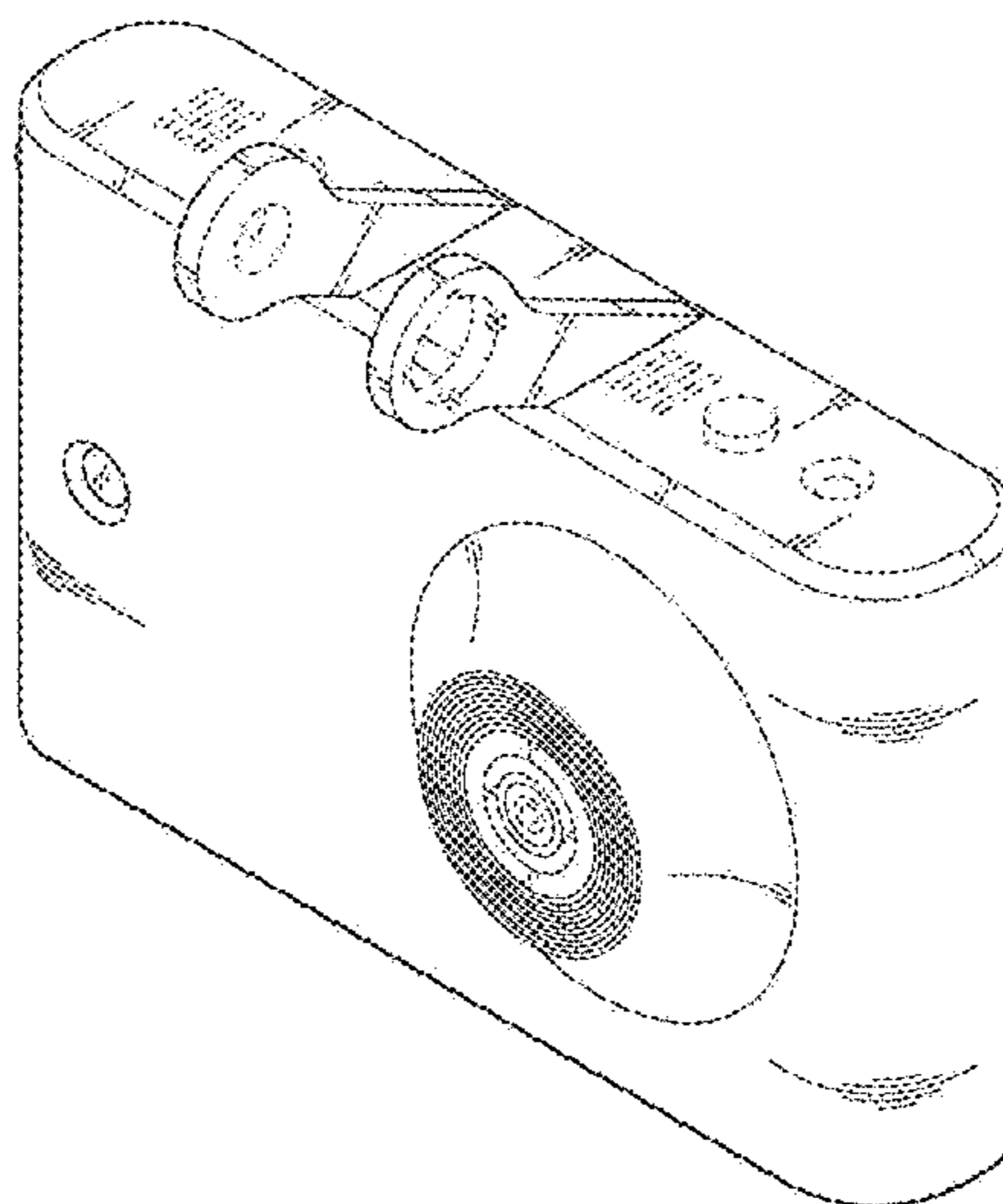
U.S. PATENT DOCUMENTS

- D659,732 S * 5/2012 Kim D16/202
- D689,109 S * 9/2013 Kim D16/202
- D692,326 S * 10/2013 Roberts D10/65
- D693,705 S * 11/2013 Stevens D10/65
- D695,329 S * 12/2013 Fujita D16/202
- D695,805 S * 12/2013 Sakai D16/202
- D699,378 S * 2/2014 DiLuciano D26/37
- D702,571 S * 4/2014 Stevens D10/65
- D707,742 S * 6/2014 Imamizu D16/202
- D708,078 S * 7/2014 Stevens D10/65
- D712,449 S * 9/2014 Osada D16/202
- D717,852 S * 11/2014 Kim D16/202
- D719,858 S * 12/2014 Stevens D10/65

DESCRIPTION

FIG. 1 is a perspective view of a black box for vehicle showing my design;
FIG. 2 is a front view thereof;
FIG. 3 is a rear view thereof;
FIG. 4 is a kit side view thereof;
FIG. 5 is a right side view thereof;
FIG. 6 is a top plan view thereof; and,
FIG. 7 is a bottom plan view thereof.
The broken lines depict portions of the black box for vehicle that form no part of the claimed design.

1 Claim, 6 Drawing Sheets



(56)

References Cited

U.S. PATENT DOCUMENTS

D754,231 S * 4/2016 Murray D16/202
D755,877 S * 5/2016 Uemachi D16/219
D780,246 S * 2/2017 Ham D16/219

OTHER PUBLICATIONS

Car DVR Recorder K6000, posted on dhgate.com, order placed Nov. 28, 2016, no production date given, [online], [site visited Apr. 5, 2017], available from internet, <URL: <http://www.dhgate.com/product/car-dvr-recorder-k6000-full-hd-vehicle-cameras/386299443.html#s1-5-7;disc|2376726110>>.*

GS8000L Car DVR Vehicle HD 1080P, posted on dhgate.com, no posted date given, no production date given, [online], [site visited Apr. 5, 2017], Available from Internet, <URL: <http://www.dhgate.com/product/gs8000l-car-dvr-vehicle-hd-1080p-camera-video/389386788.html#s1-1-1;disc|1480699090>>.*

INAVI QXD950 View 32GB 2CH Full HD Car Black Box Drive Recorder DashCam-Express, posted on ebayshopkorea.com, no posted date given, no production date given, [online], [site visited Apr. 5, 2017], Availalble from Internet, <URL: <http://www.ebayshopkorea.com/main/view?itemID=122432111956>>.*

* cited by examiner

FIG. 1

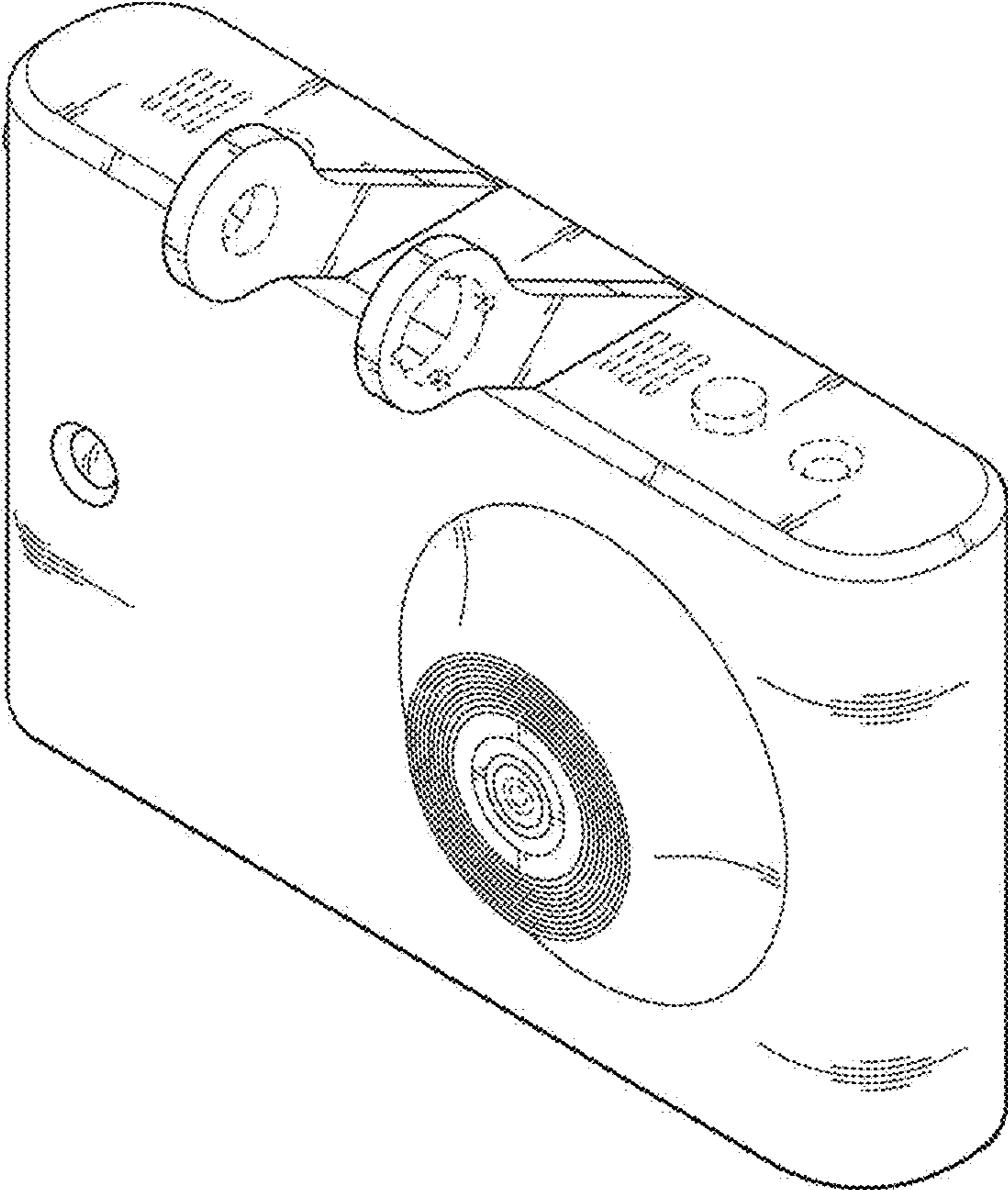


FIG. 2

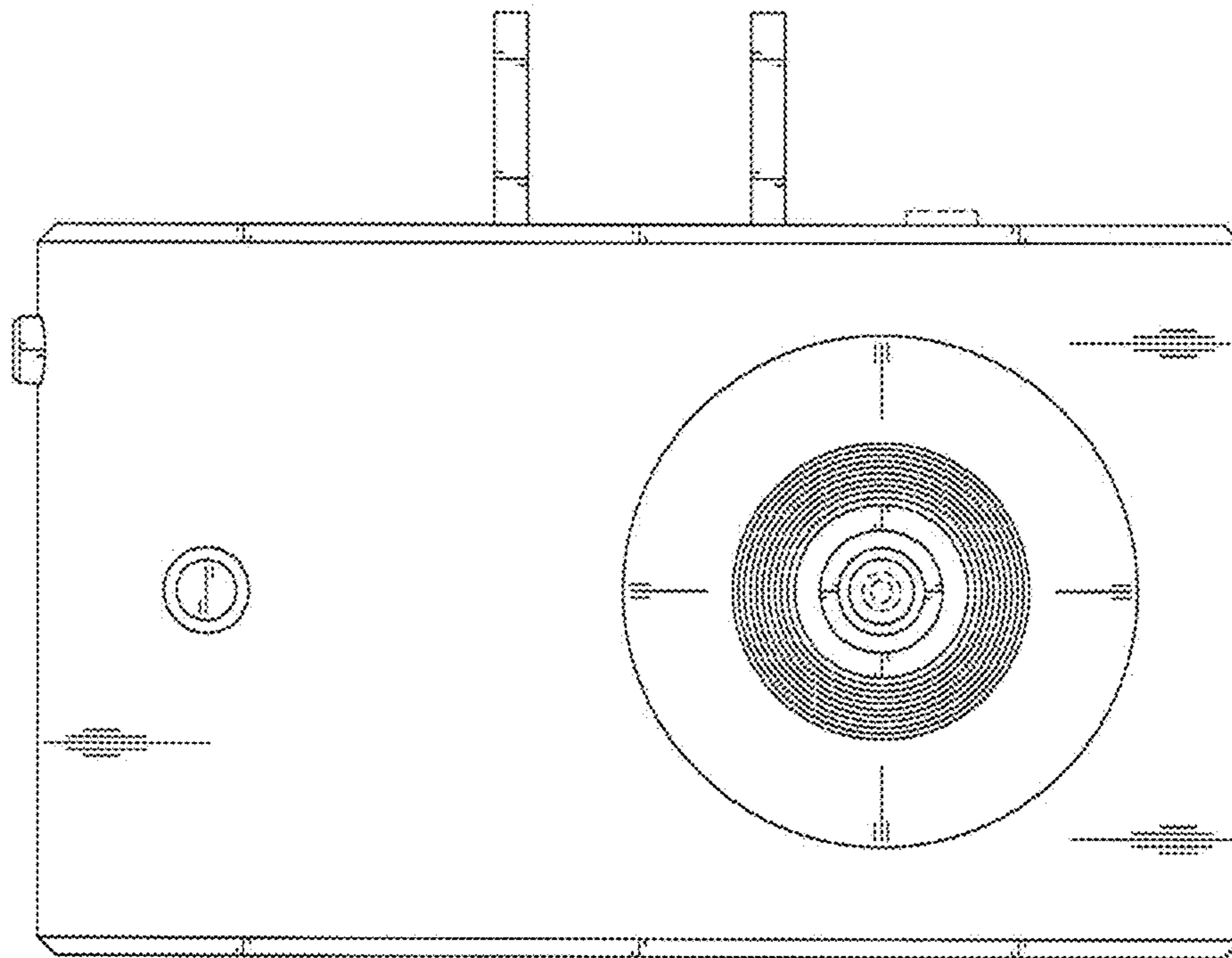


FIG. 3

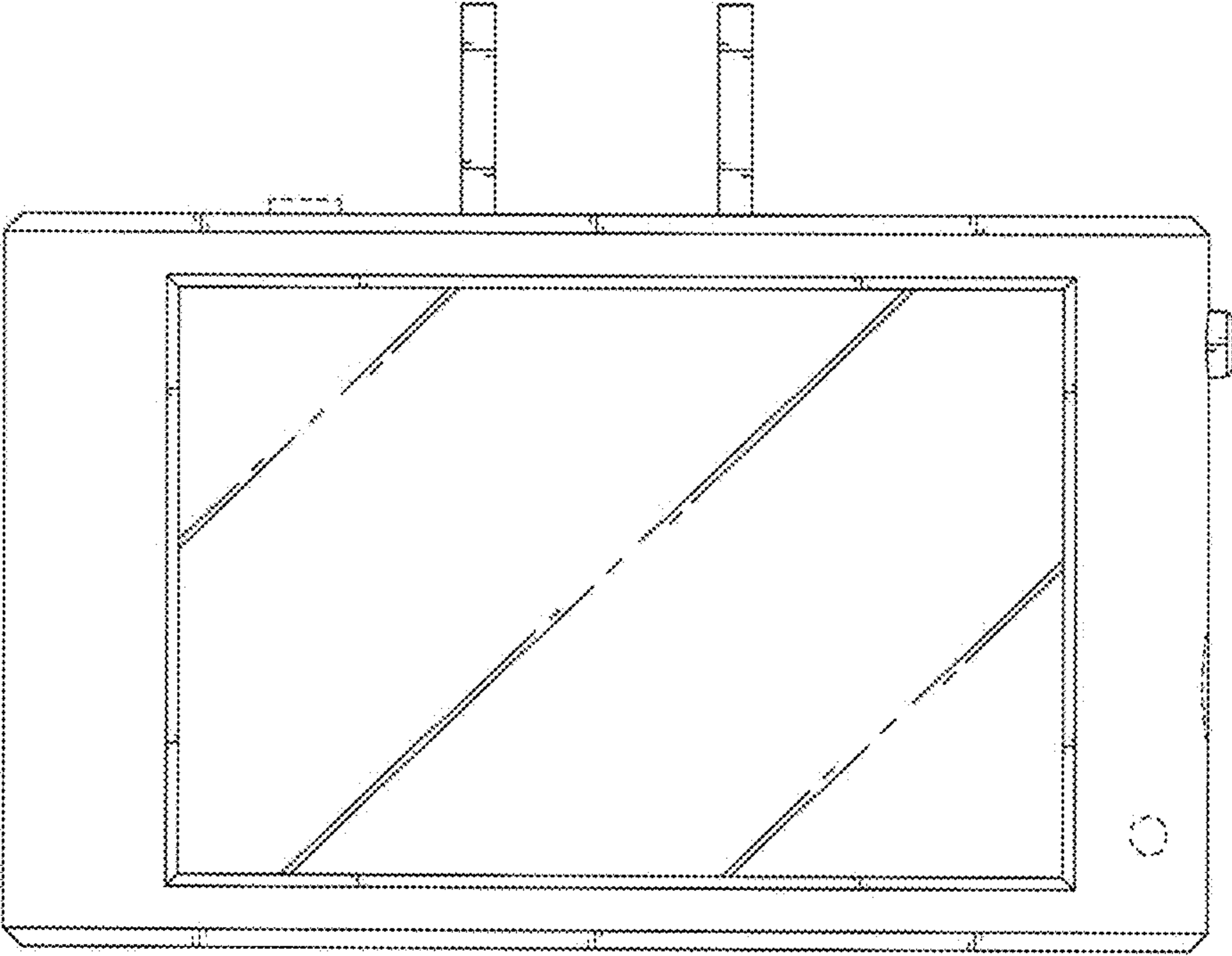


FIG. 4

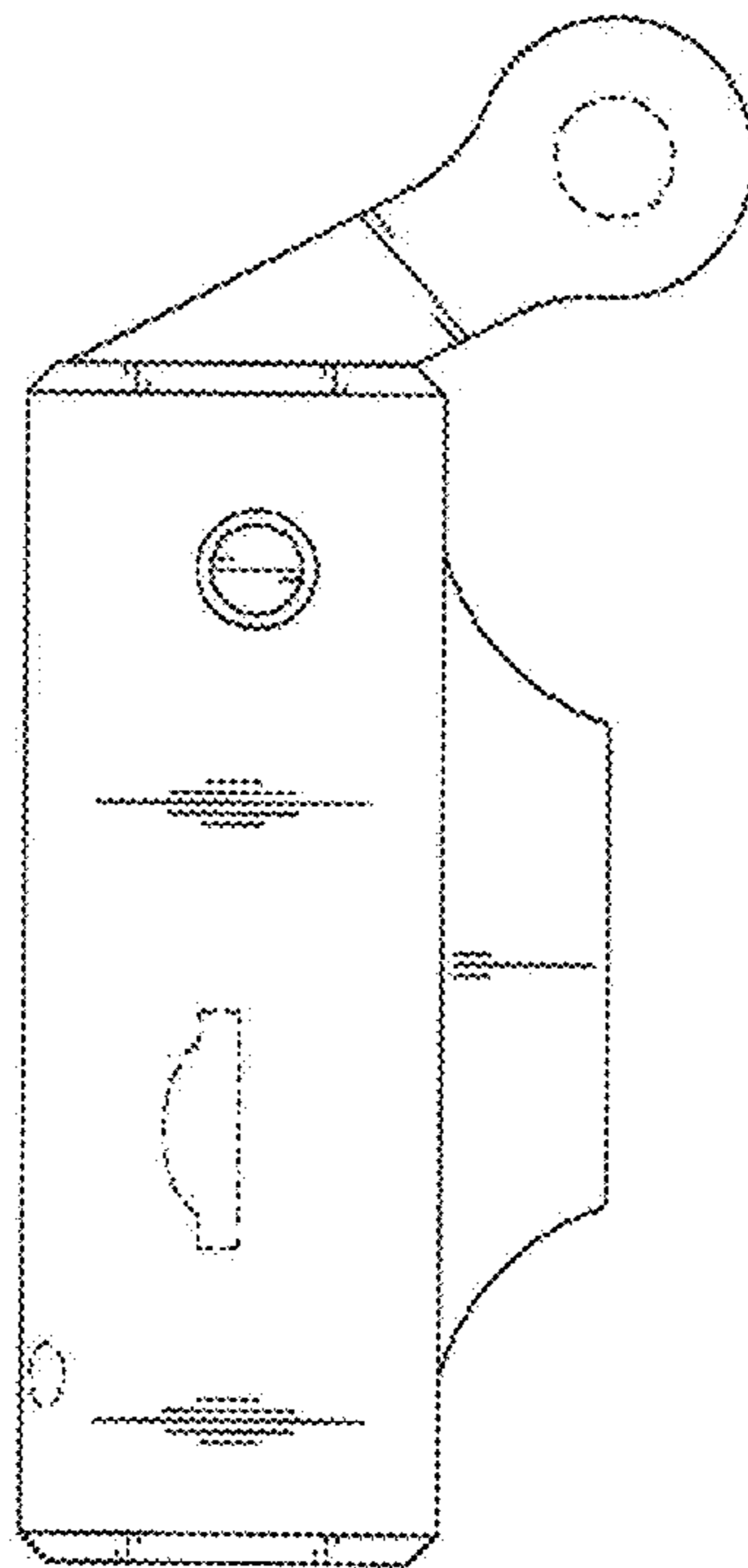


FIG. 5

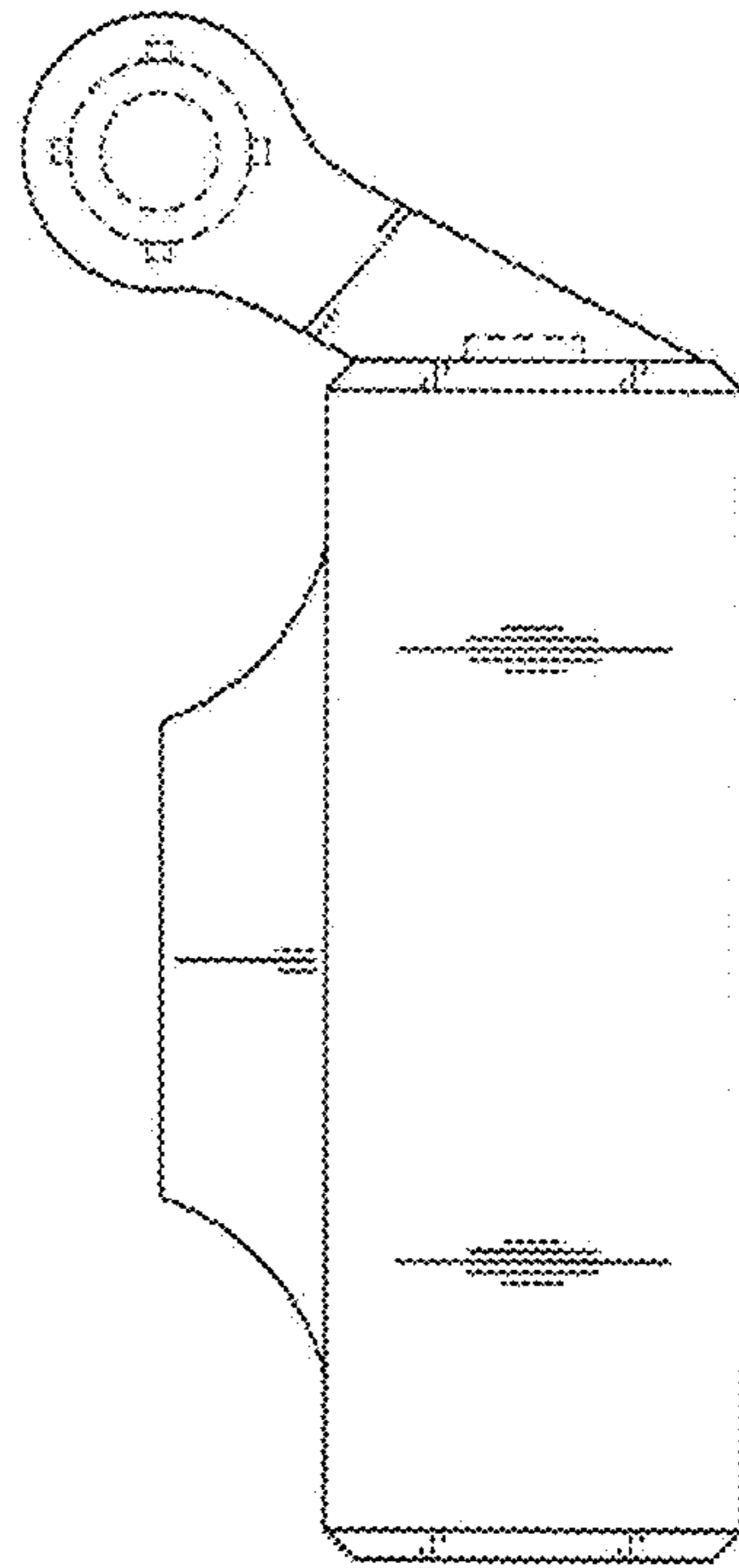


FIG. 6

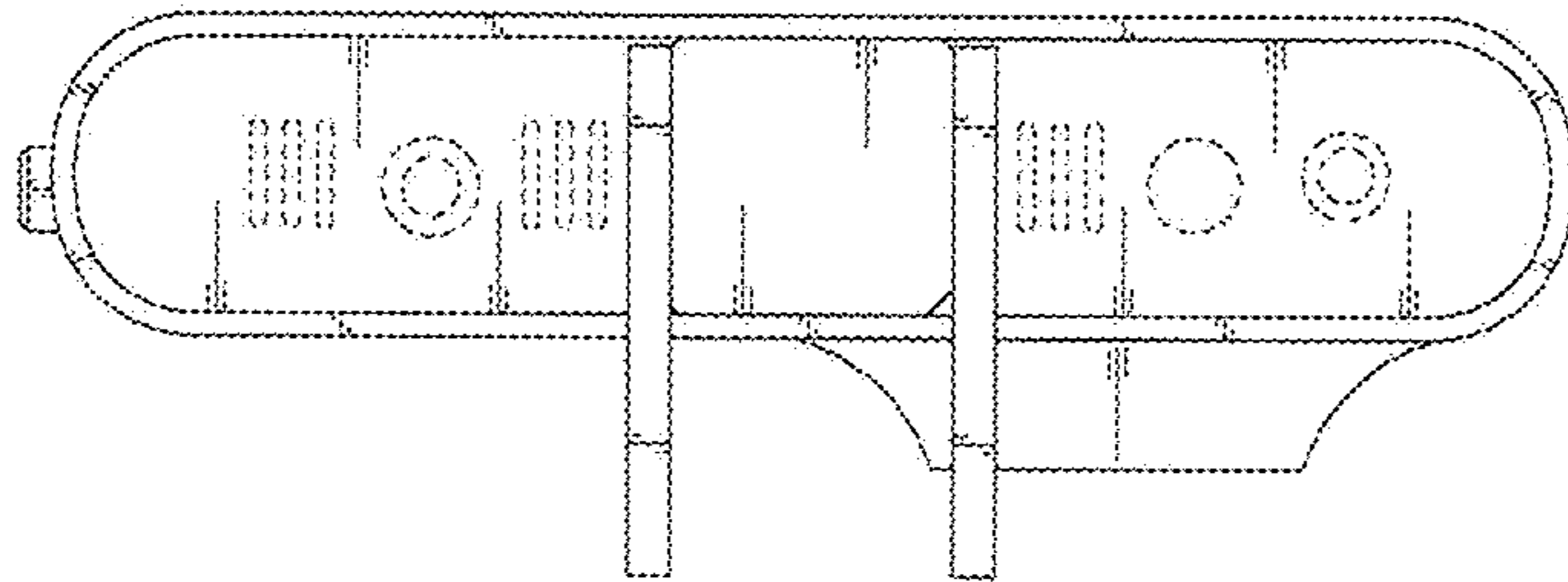


FIG. 7

