



US00D803917S

(12) **United States Design Patent**
Harada et al.

(10) **Patent No.:** **US D803,917 S**

(45) **Date of Patent:** **** Nov. 28, 2017**

(54) **HEAT REFLECTOR FOR SUBSTRATE
PROCESSING APPARATUS**

5,533,924 A * 7/1996 Stroupe B24B 37/32
451/286
D380,527 S * 7/1997 Velez D23/261
D470,050 S * 2/2003 Renz D7/396.2

(71) Applicant: **Hitachi Kokusai Electric Inc.**,
Chiyoda-ku, Tokyo (JP)

(Continued)

(72) Inventors: **Koichiro Harada**, Toyama (JP);
Takeshi Yasui, Toyama (JP)

Primary Examiner — Sheryl Lane

Assistant Examiner — Calvin E Vansant

(74) *Attorney, Agent, or Firm* — Fitch, Even, Tabin &
Flannery, LLP

(73) Assignee: **HITACHI KOKUSAI ELECTRIC,
INC.**, Tokyo (JP)

(57) **CLAIM**

We claim the ornamental design for a heat reflector for
substrate processing apparatus, as shown (and described).

(**) Term: **15 Years**

DESCRIPTION

(21) Appl. No.: **29/548,574**

(22) Filed: **Dec. 15, 2015**

(30) **Foreign Application Priority Data**

Jun. 16, 2015 (JP) 2015/013299

(51) **LOC (10) Cl.** **15-09**

(52) **U.S. Cl.**
USPC **D15/144.1**

(58) **Field of Classification Search**
USPC D13/182; D15/122, 144.1, 138; D9/454;
D23/269
CPC H01L 21/67115; H05B 3/0047; F27B
17/0025
See application file for complete search history.

FIG. 1 is a front and top perspective view of a heat reflector for
substrate processing apparatus showing my new design;
FIG. 2 is a front and bottom perspective view of a heat
reflector for substrate processing apparatus showing my new
design;

FIG. 3 is a front elevational view thereof;

FIG. 4 is a top plan view thereof;

FIG. 5 is a bottom plan view thereof;

FIG. 6 is a cross sectional view take along line 6-6 in FIG.
5 thereof;

FIG. 7 is a cross sectional view take along line 7-7 in FIG.
5 thereof;

FIG. 8 is an enlarged portion view of the area outlined by the
dash-dot-dot-dash lines in FIG. 2;

FIG. 9 is an enlarged portion view of the area outlined by the
dash-dot-dot-dash lines in FIG. 6; and,

FIG. 10 is an enlarged portion view of the area outlined by
the dash-dot-dot-dash lines in FIG. 7.

The broken lines shown in the drawings represent portions
of the heat reflector for substrate processing apparatus that
form no part of the claimed design.

The dash-dot-dot-dash lines outline areas shown enlarged in
other figures and form no part of the claim.

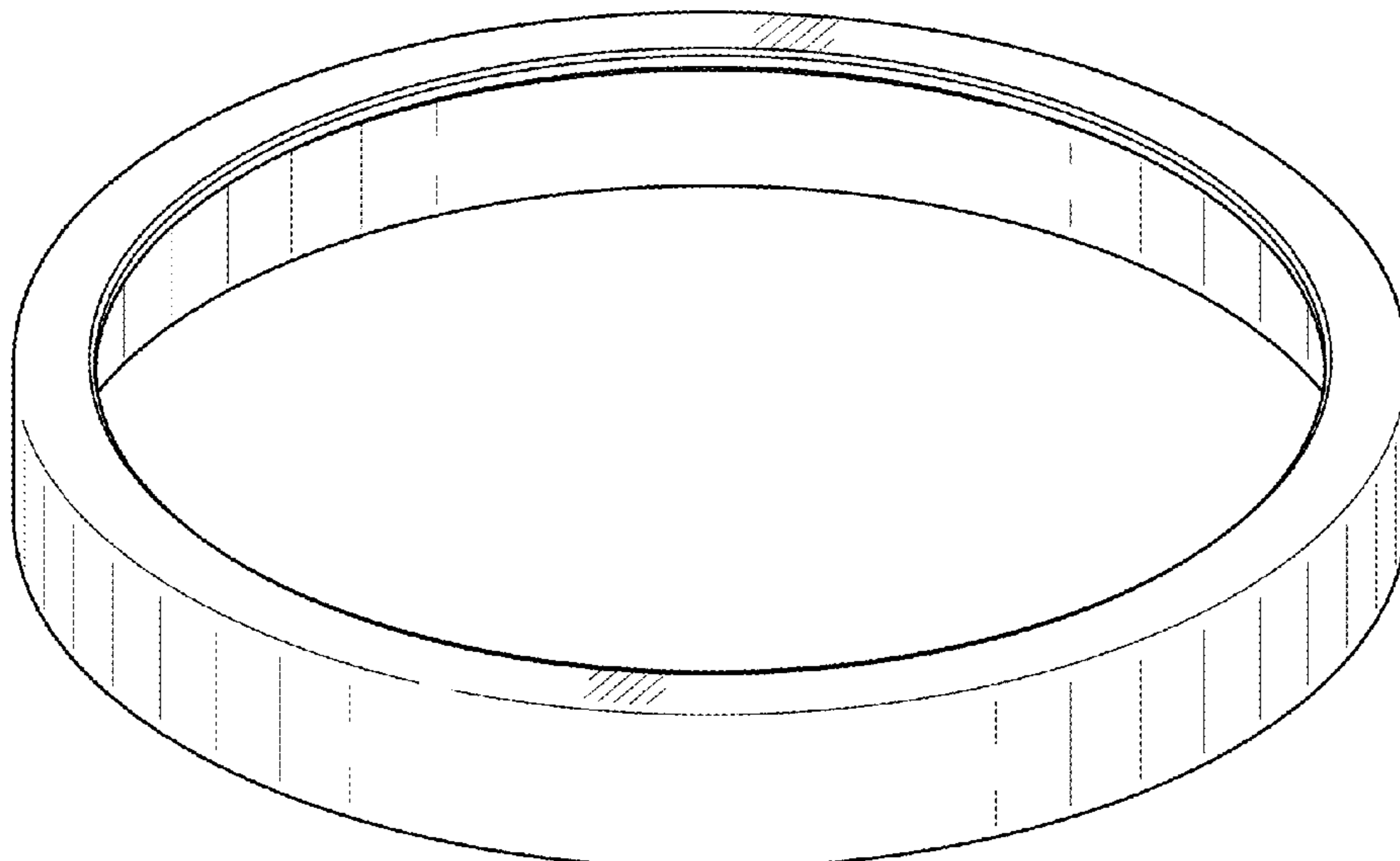
As the rear view, right side view and left side view is
identical to the front view, it is omitted.

(56) **References Cited**

U.S. PATENT DOCUMENTS

1,798,246 A * 3/1931 Braner F16J 15/128
277/598
3,414,183 A * 12/1968 Wilcox B65D 21/0233
206/515
D243,664 S * 3/1977 Lyon D10/74
D348,836 S * 7/1994 McCallum D7/397

1 Claim, 8 Drawing Sheets



(56)

References Cited

U.S. PATENT DOCUMENTS

D525,127 S *	7/2006	Cogley	D9/456
7,160,493 B2 *	1/2007	Willis	B24B 37/32 264/162
D559,994 S *	1/2008	Nagakubo	D24/232
D588,078 S *	3/2009	Okada	D13/182
D665,491 S *	8/2012	Goel	D15/144
D684,551 S *	6/2013	Nguyen	D13/182
D698,939 S *	2/2014	Wainwright	D24/224
D709,538 S *	7/2014	Mizukami	D15/138
D730,734 S *	6/2015	Rapparini	D9/454
D741,823 S *	10/2015	Tateno	D13/182
D751,398 S *	3/2016	Miceli	D9/454
D770,992 S *	11/2016	Tauchi	D13/182

* cited by examiner

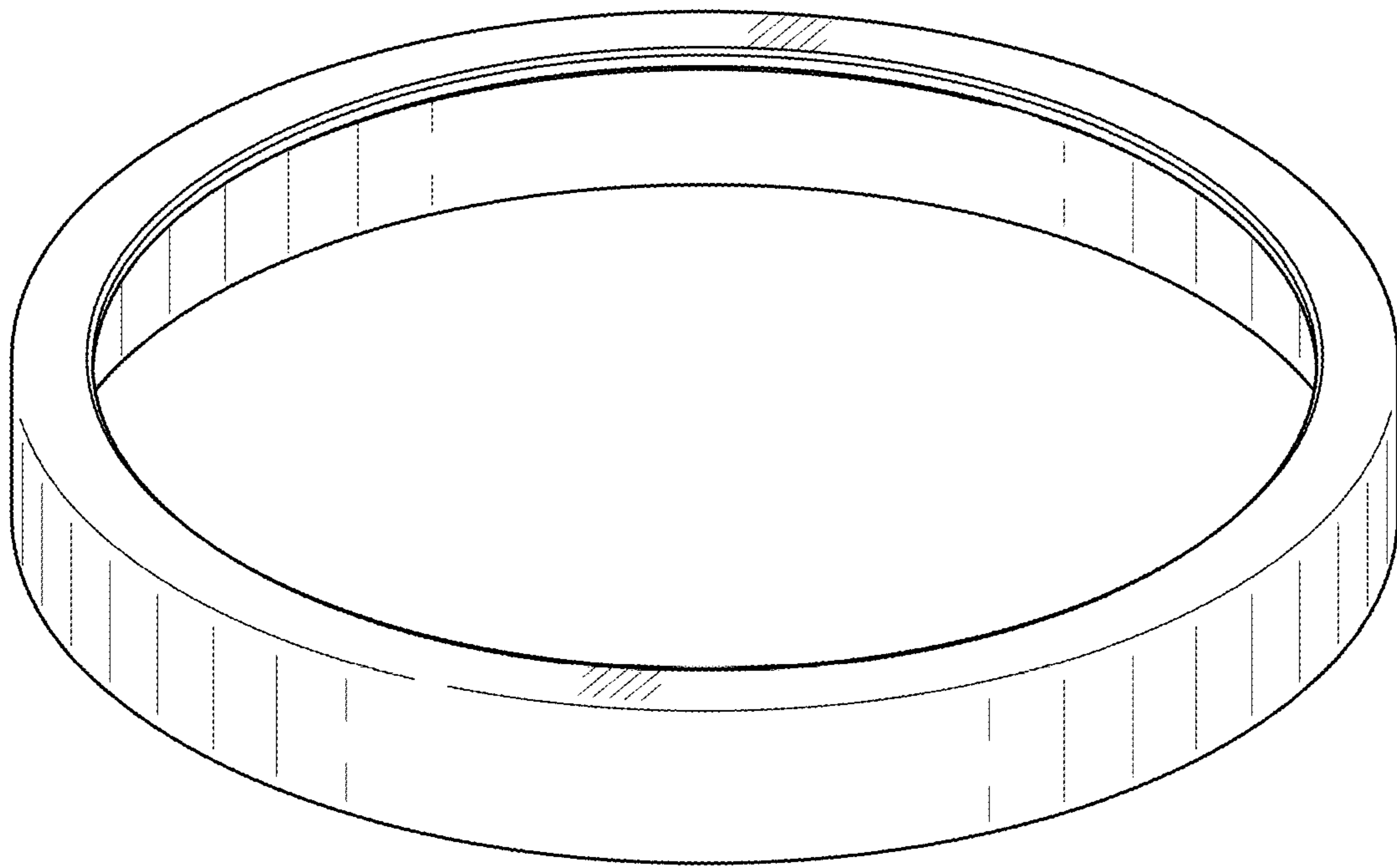


FIG. 1

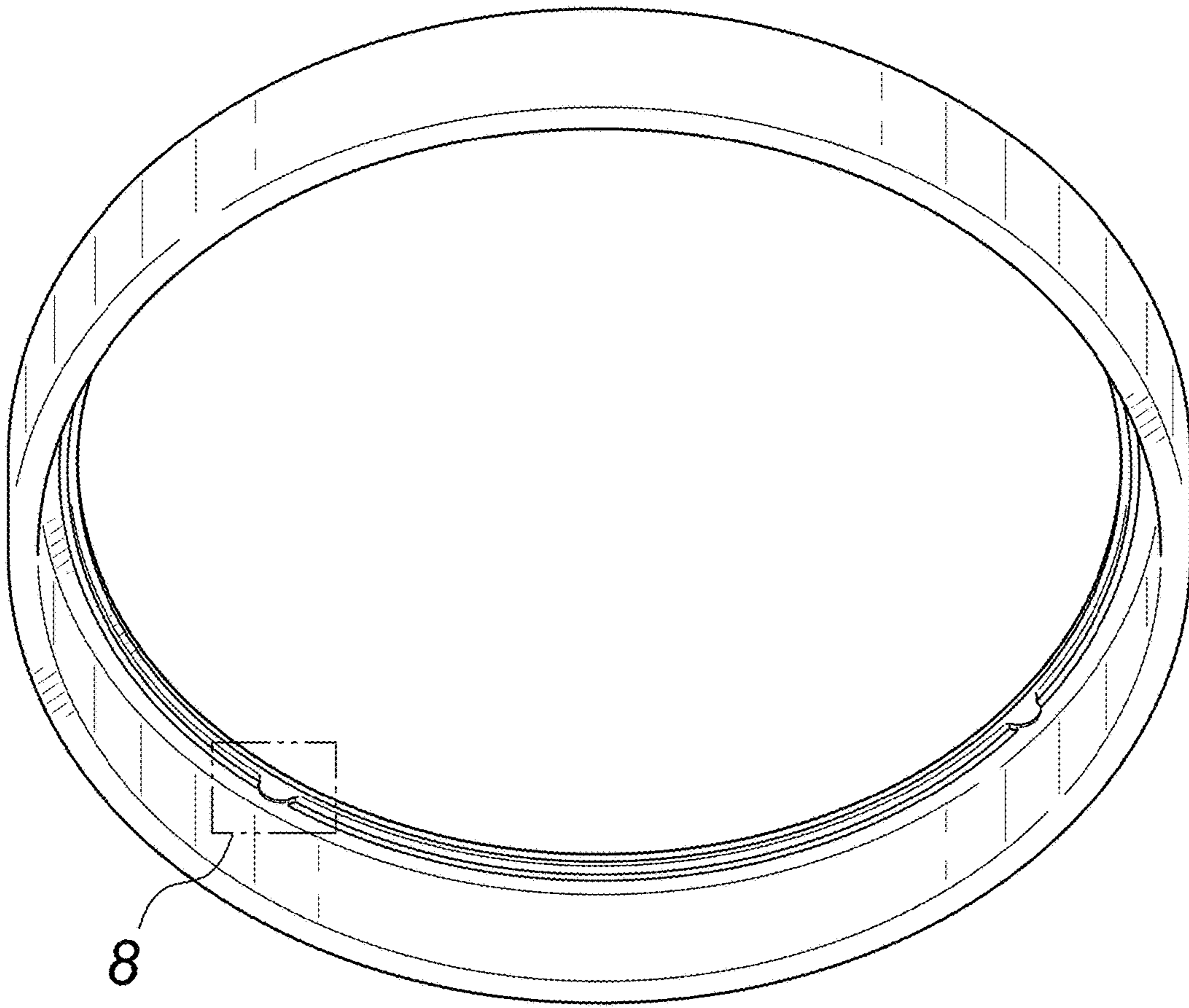


FIG. 2



FIG. 3

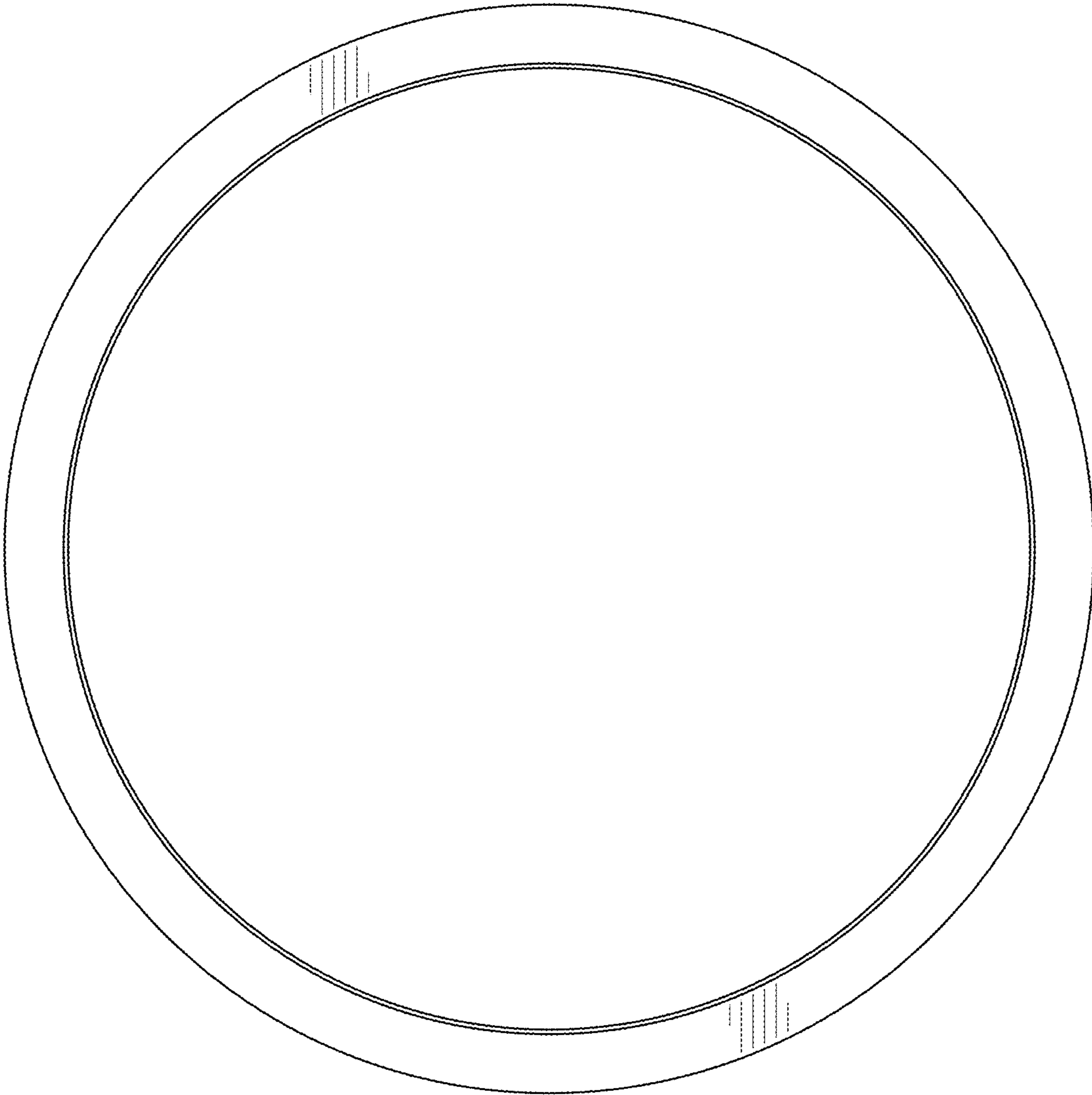


FIG. 4

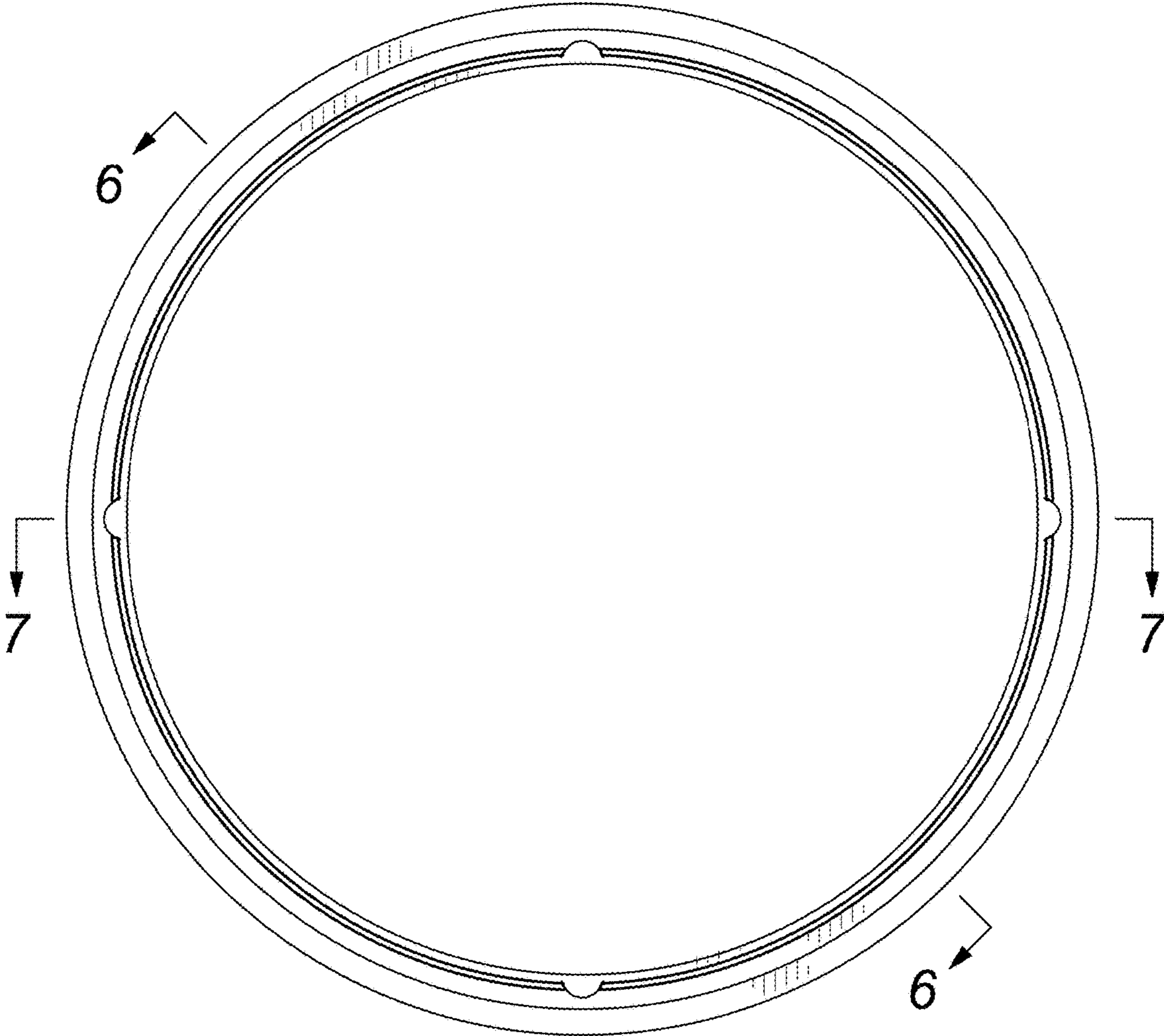


FIG. 5

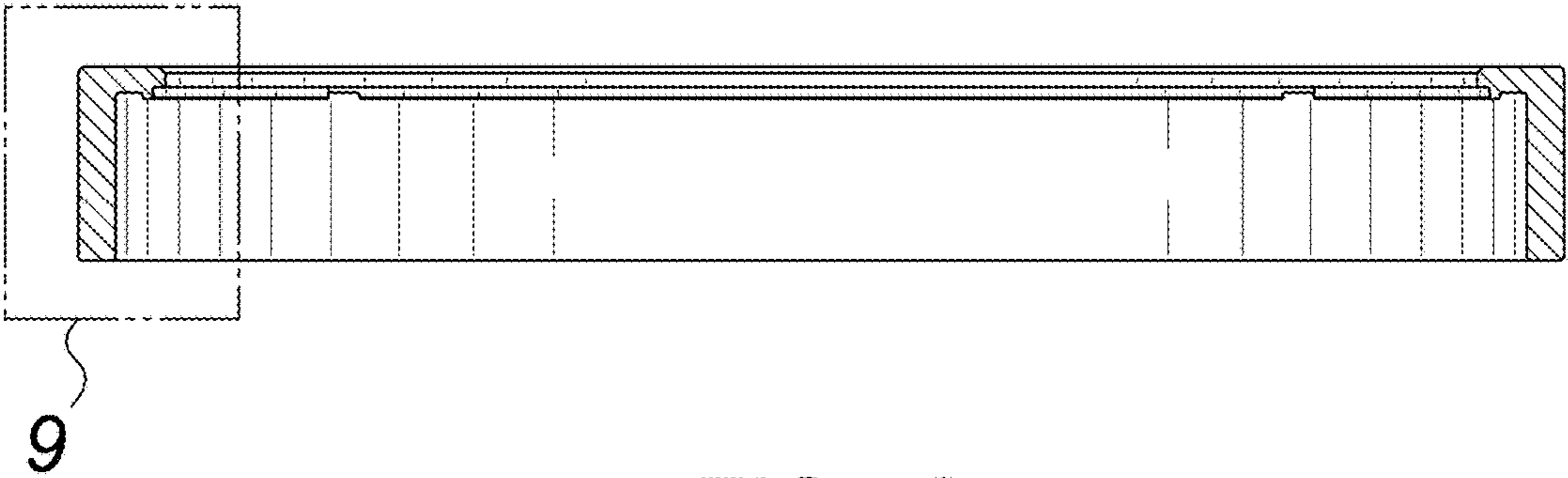


FIG. 6

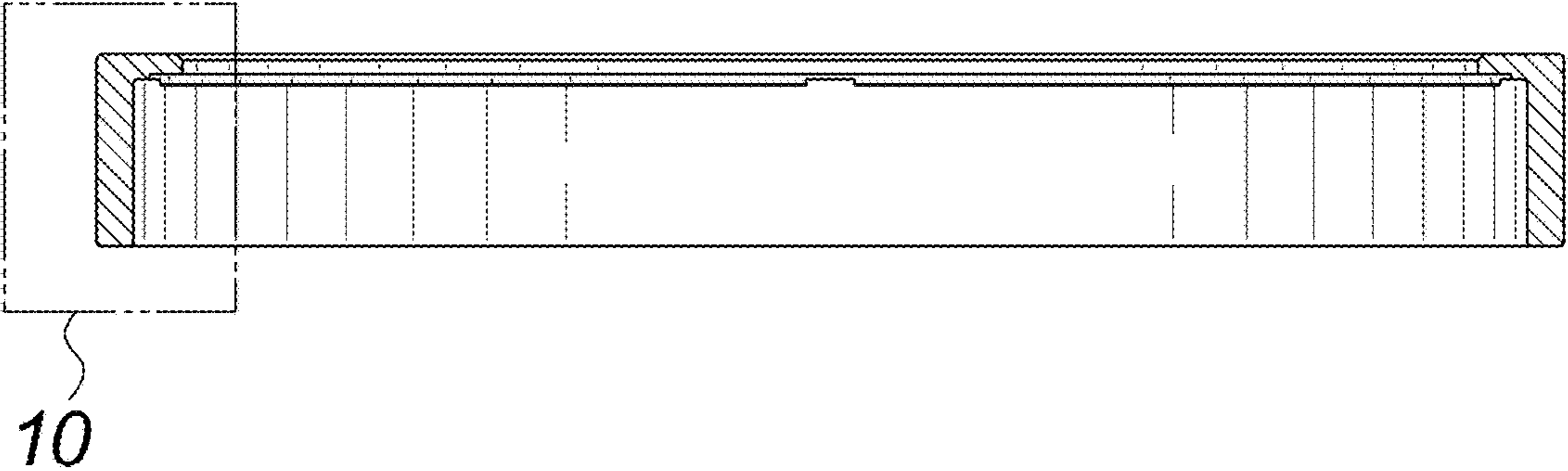


FIG. 7

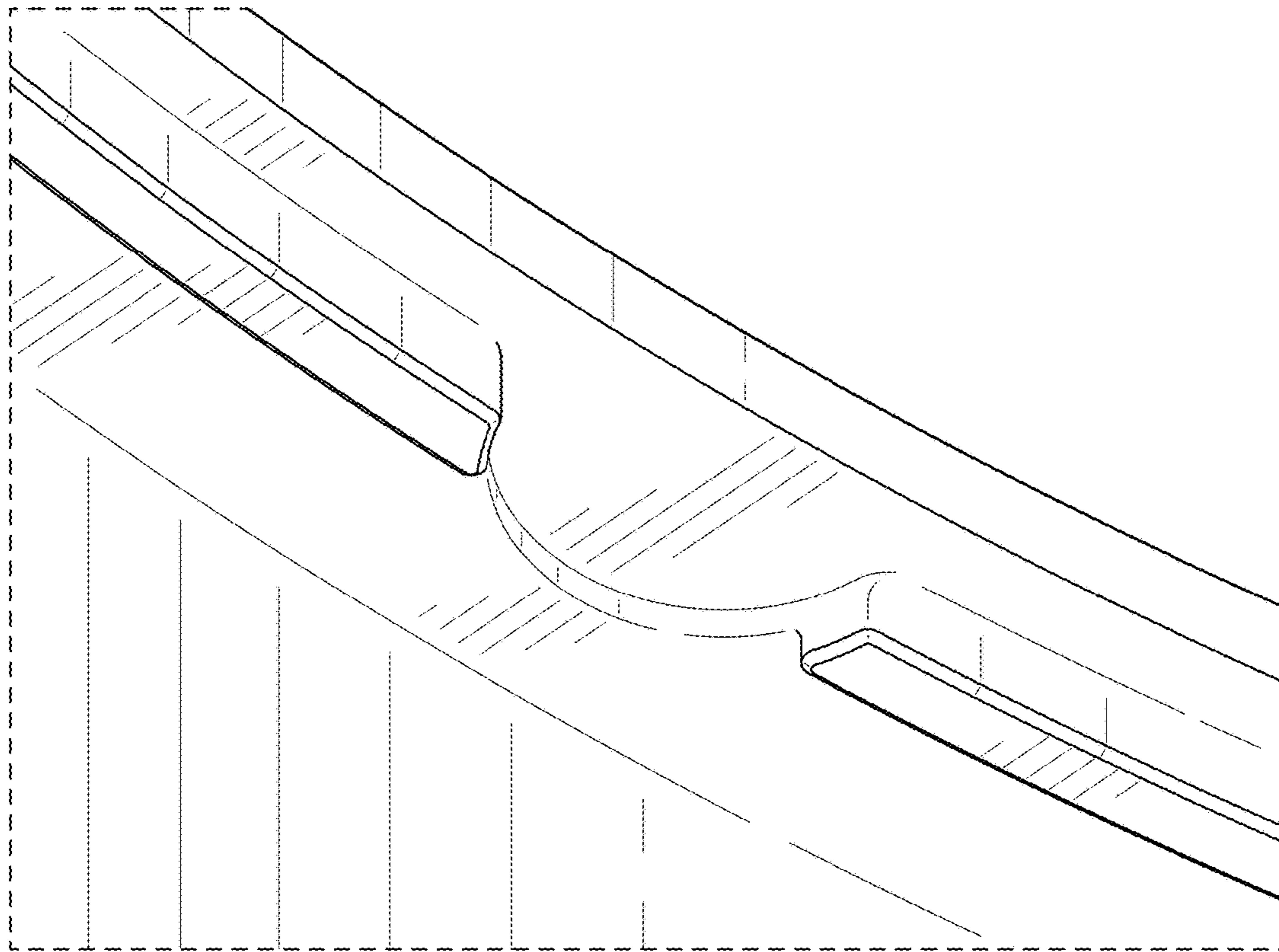


FIG. 8

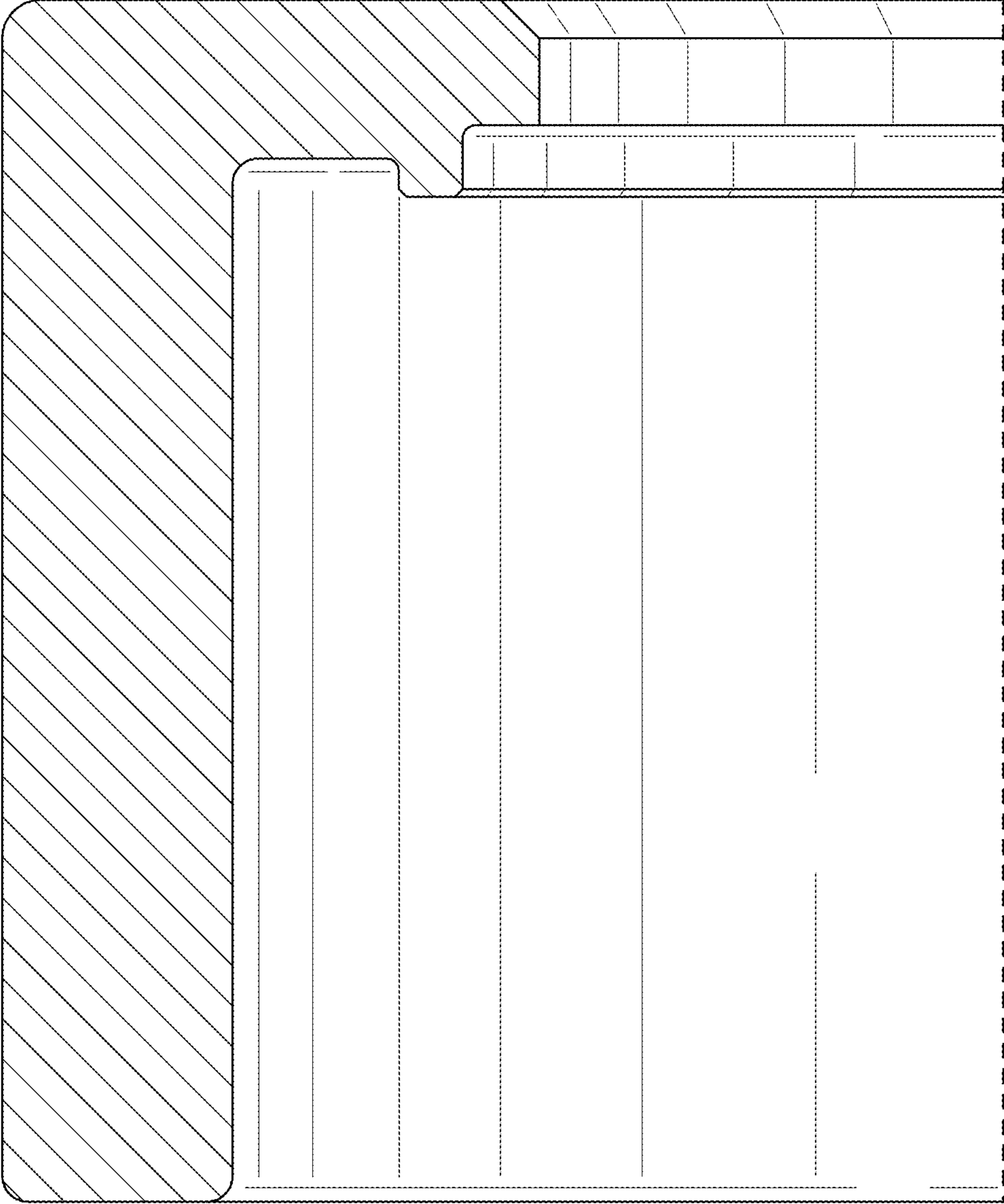


FIG. 9

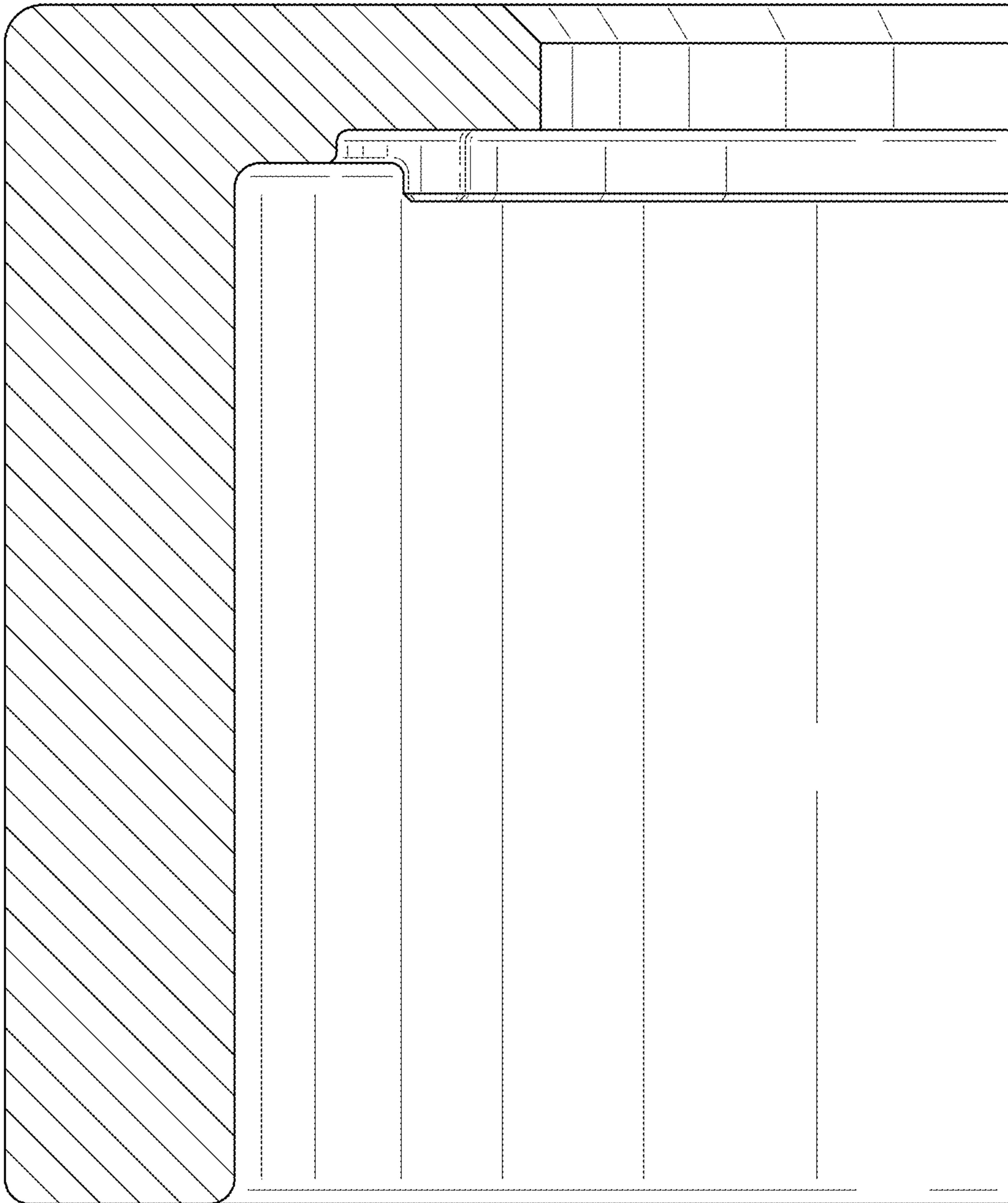


FIG. 10