



US00D803915S

(12) **United States Design Patent**
Malmberg et al.

(10) **Patent No.:** **US D803,915 S**
(45) **Date of Patent:** **** Nov. 28, 2017**

(54) **TELESCOPIC CHUTE CONE**
(71) Applicant: **SANDVIK INTELLECTUAL PROPERTY AB**, Sandviken (SE)
(72) Inventors: **Mats Malmberg**, Rydsgard (SE);
Adrien Henssien, Malmö (SE)
(73) Assignee: **SANDVIK INTELLECTUAL PROPERTY AB**, Sandviken (SE)

(**) Term: **15 Years**
(21) Appl. No.: **29/566,737**
(22) Filed: **Jun. 2, 2016**

(30) **Foreign Application Priority Data**

Dec. 4, 2015 (EP) 002889709.001

(51) **LOC (10) Cl.** **15-09**
(52) **U.S. Cl.**
USPC **D15/138**
(58) **Field of Classification Search**
USPC D10/113.2; D15/28, 138, 145
CPC B28C 5/00; B28C 5/42; B28C 5/4251;
B65G 11/00; B65G 11/10; B65G 11/14;
B65G 11/083; B65G 11/146; B65G
11/186

See application file for complete search history.

(56) **References Cited**

U.S. PATENT DOCUMENTS

1,567,369 A * 12/1925 Holst B65G 11/083
138/120
1,981,413 A * 11/1934 Goodfellow B65G 11/083
138/120

3,168,946 A * 2/1965 Gay B65G 11/146
193/6
D320,172 S * 9/1991 Thurston D10/113.2
D345,039 S * 3/1994 Doyle D34/28
D400,814 S * 11/1998 Sheng D10/113.2
D435,724 S * 1/2001 Huang D10/113.1
7,036,647 B2 * 5/2006 Malmberg B65G 11/146
193/25 C
D579,369 S * 10/2008 Spataro D10/113.2
D620,964 S * 8/2010 Yuyama D15/145
7,971,698 B2 * 7/2011 Burstrom B65G 11/083
193/25 C
8,051,970 B2 * 11/2011 Shaber B28C 5/4251
193/10
D710,912 S * 8/2014 Wehmeier D15/28
D743,459 S * 11/2015 Malmberg D15/138

* cited by examiner

Primary Examiner — Patricia Palasik

(74) *Attorney, Agent, or Firm* — Corinne R. Gorski

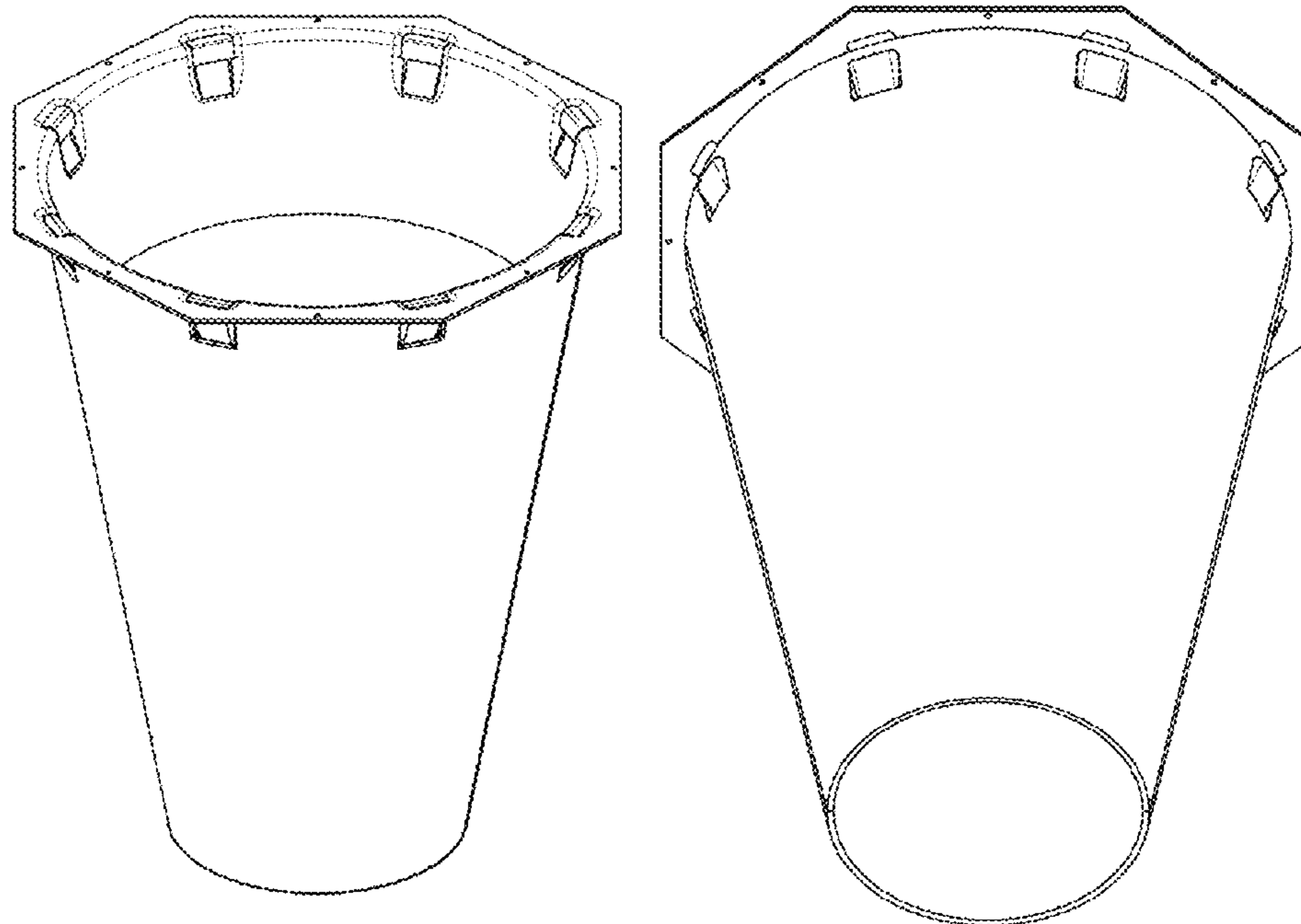
(57) **CLAIM**

The ornamental design for a telescopic chute cone, as shown and described.

DESCRIPTION

FIG. 1 is a top perspective view of a telescopic chute cone; FIG. 2 is a bottom perspective view thereof; FIG. 3 is a side view thereof, the opposite side view being a mirror image thereof; FIG. 4 is a front view, the opposite rear view being a mirror image thereof; FIG. 5 is a top view thereof; and, FIG. 6 is a bottom view thereof.

1 Claim, 6 Drawing Sheets



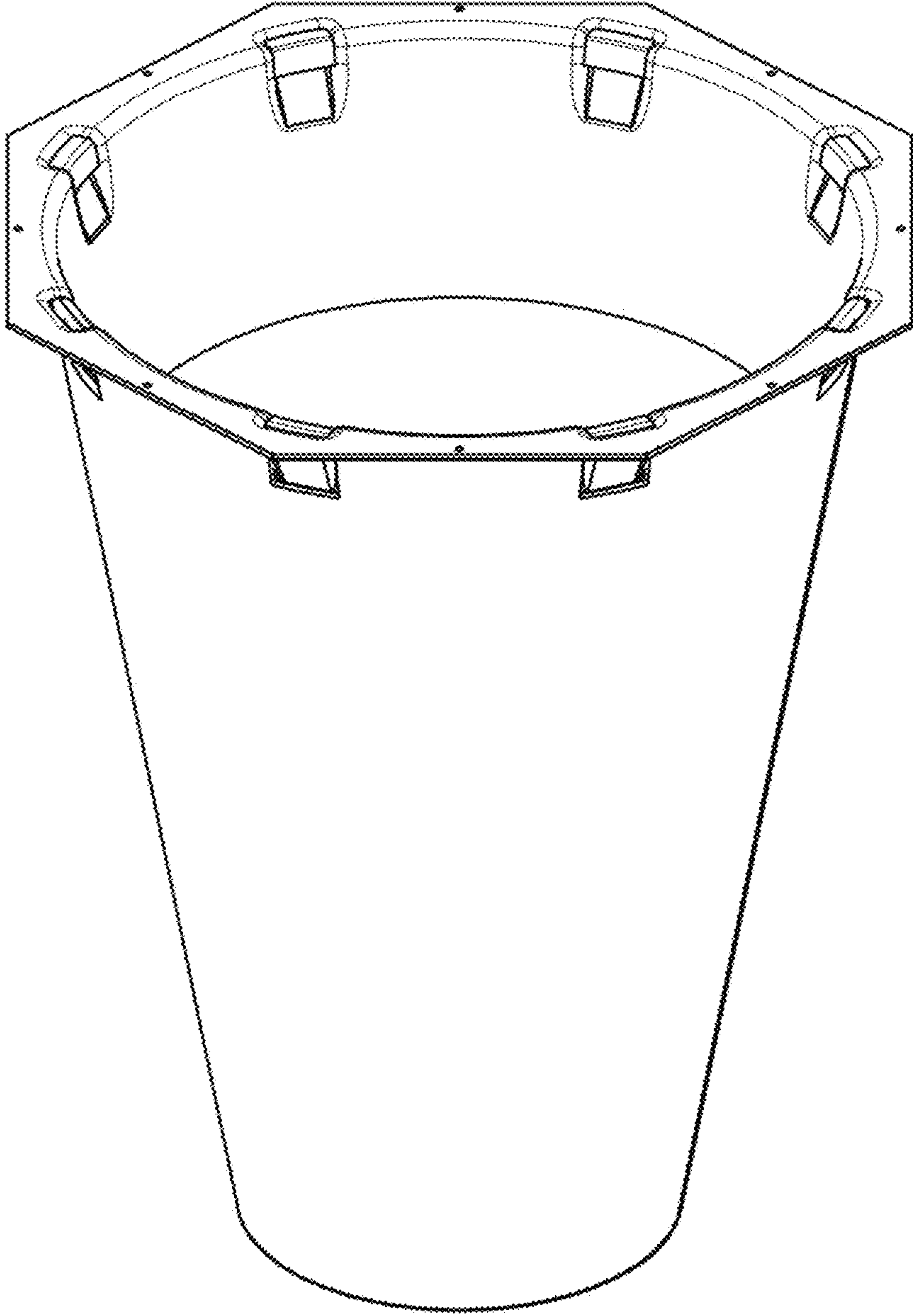


Fig. 1

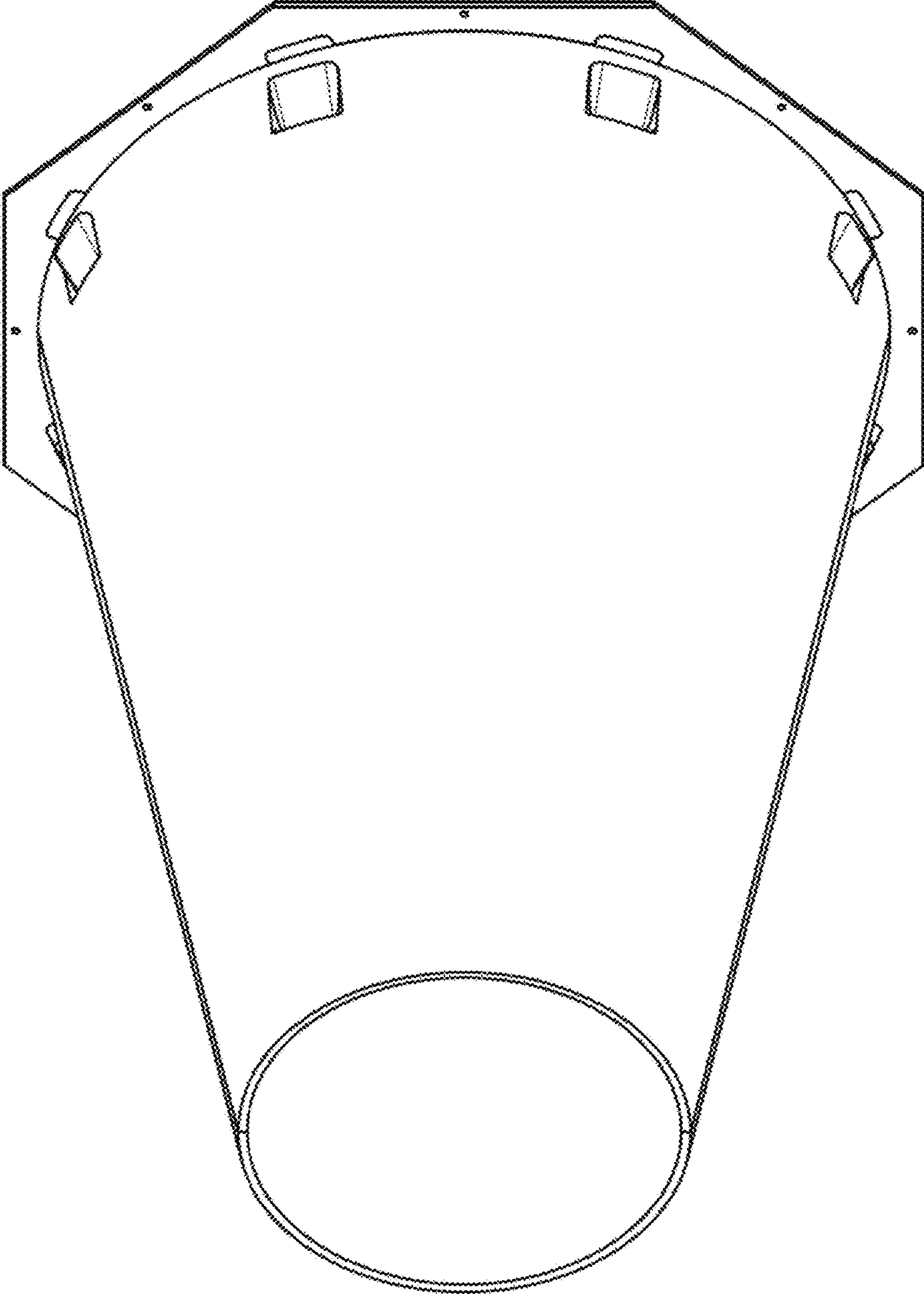


Fig. 2

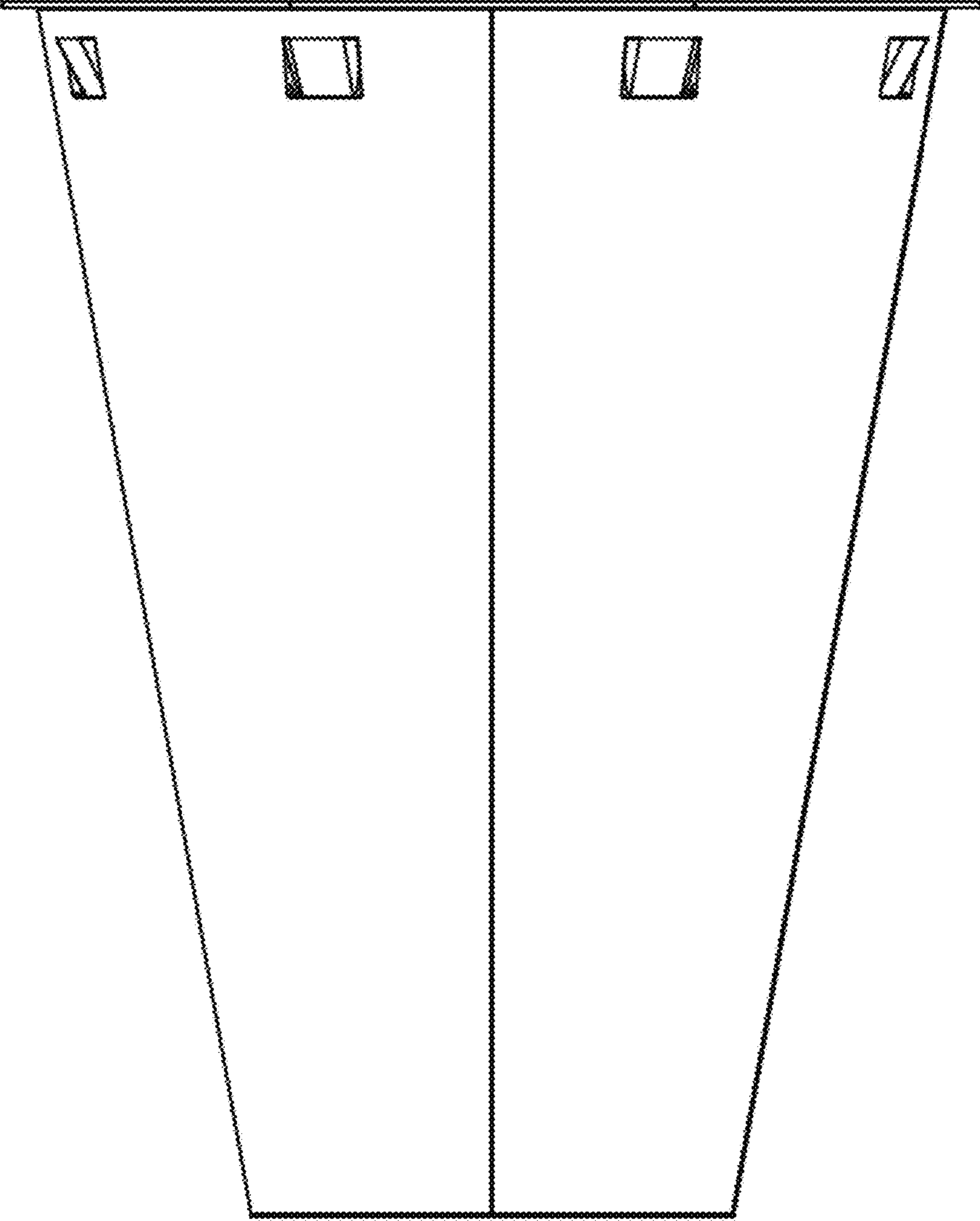


Fig. 3

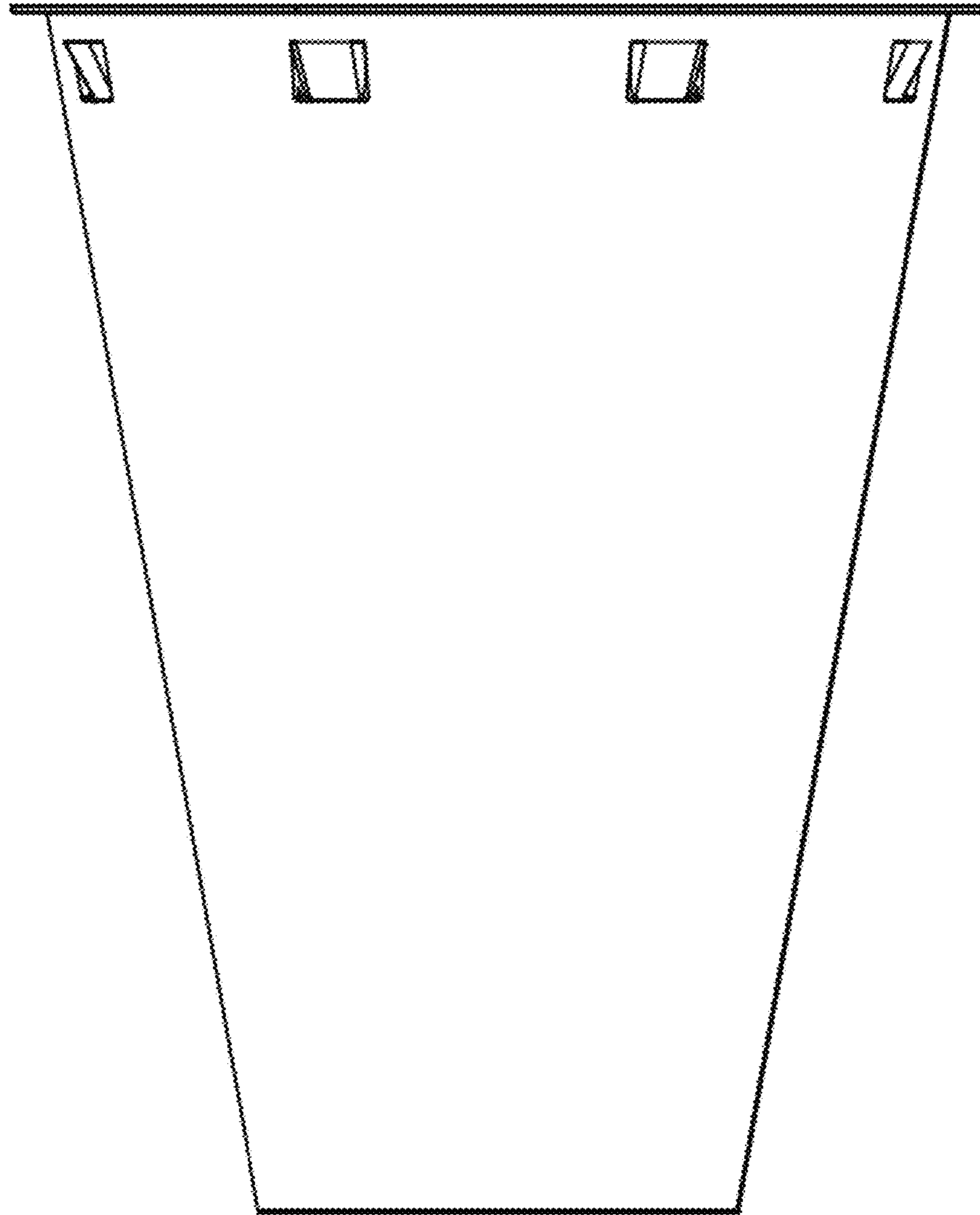


Fig. 4

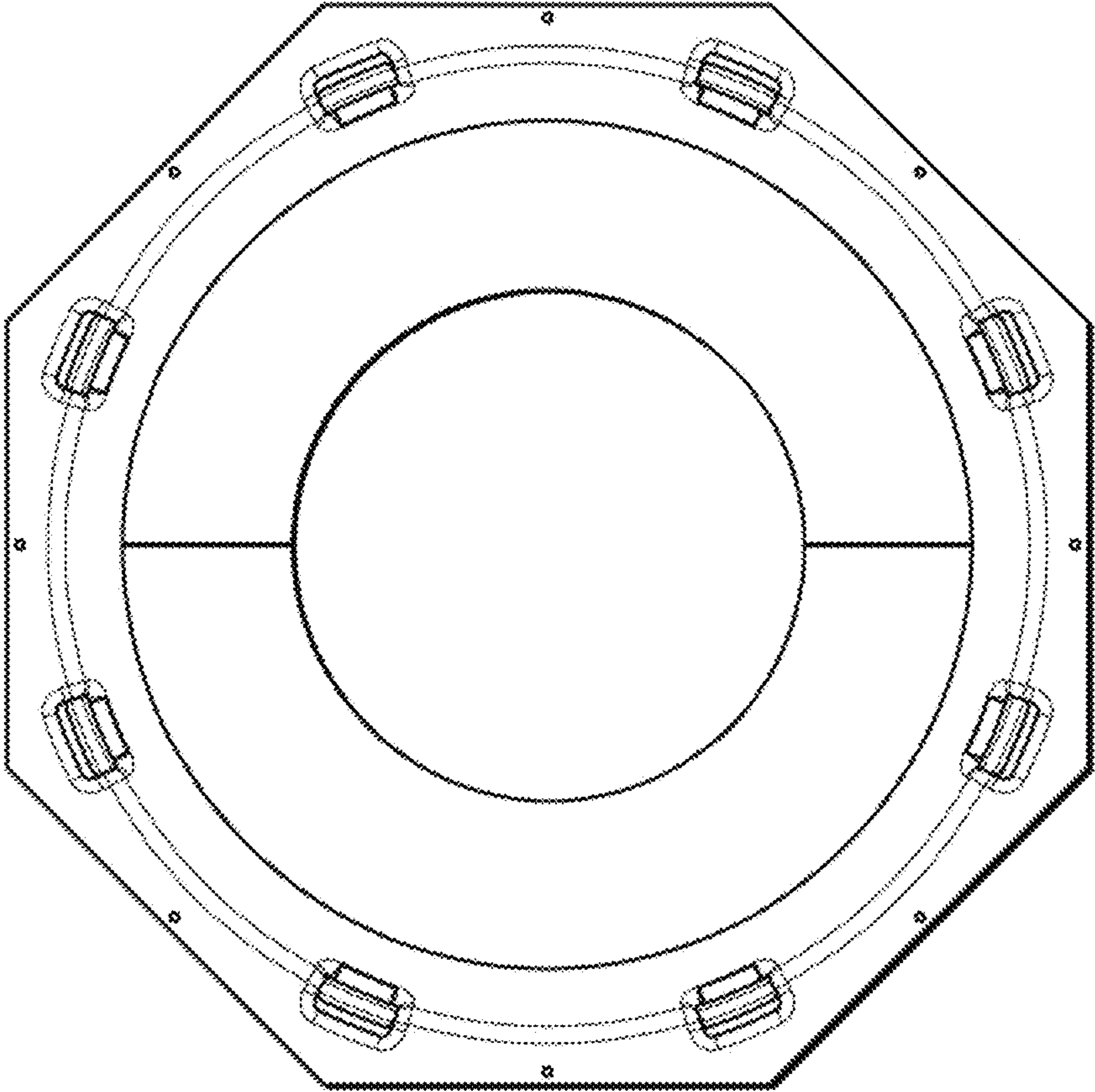


Fig. 5

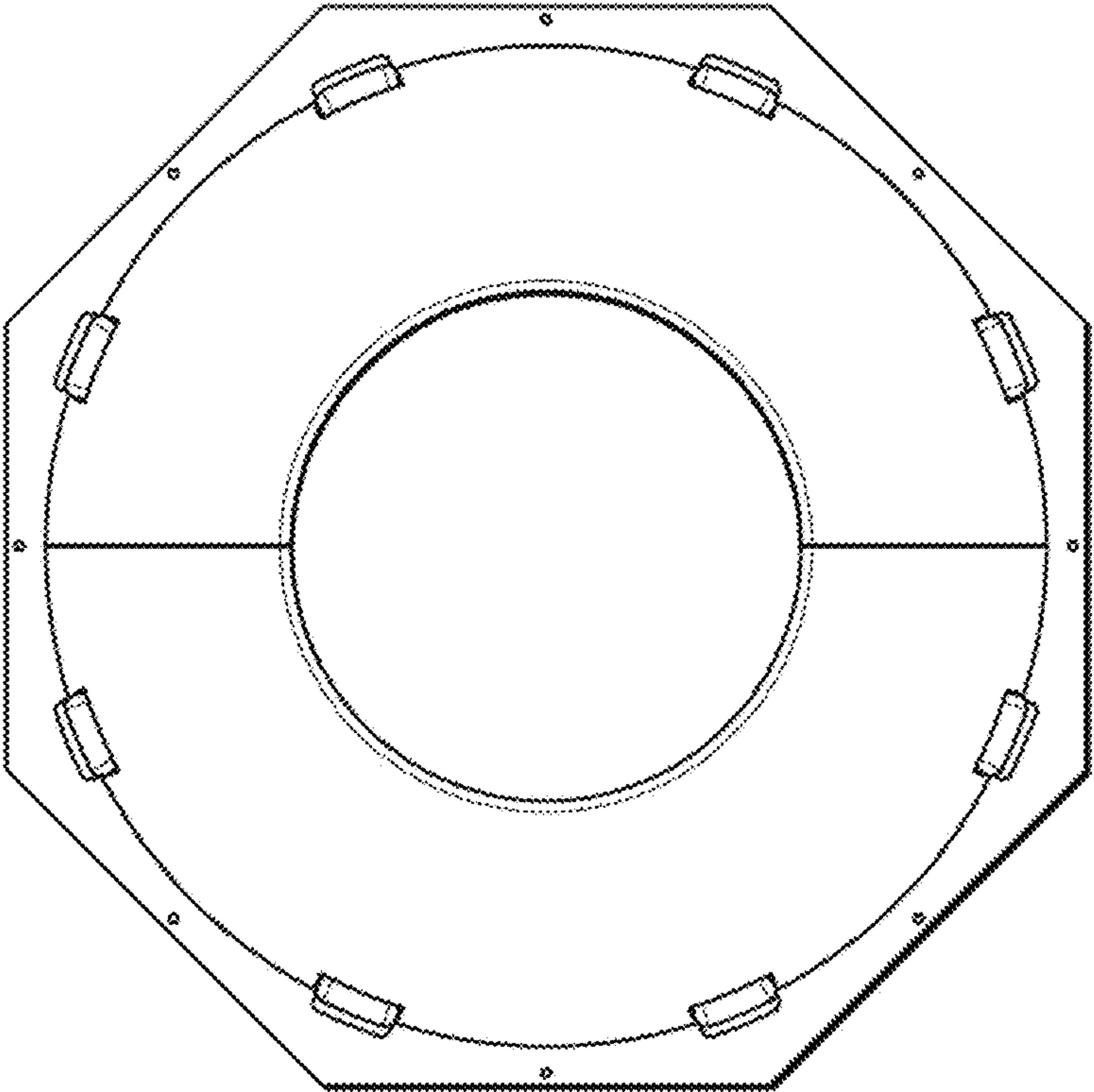


Fig. 6