



US00D803907S

(12) **United States Design Patent**
Carstens et al.

(10) **Patent No.:** **US D803,907 S**

(45) **Date of Patent:** **** Nov. 28, 2017**

- (54) **SET OF LOCATING FINGERS**
- (71) Applicant: **Stolle Machinery Company, LLC**,
Centennial, CO (US)
- (72) Inventors: **Aaron Emmanuel Carstens**,
Centerville, OH (US); **James Ardel McClung**,
Canton, OH (US); **Paul L. Ripple**,
Canton, OH (US); **Edward E. Donaldson**,
North Canton, OH (US)
- (73) Assignee: **Stolle Machinery Company, LLC**,
Centennial, CO (US)
- (**) Term: **15 Years**
- (21) Appl. No.: **29/556,489**
- (22) Filed: **Mar. 1, 2016**
- (51) **LOC (10) Cl.** **15-09**
- (52) **U.S. Cl.**
USPC **D15/128**
- (58) **Field of Classification Search**
USPC D15/128, 138; D19/65, 72
CPC B25B 15/005; B23C 3/35; B23C 2235/28;
B23C 2235/41; B21D 22/02; B21D
28/34; B21D 28/005; B21D 28/346;
B21D 37/04; B21D 37/205
See application file for complete search history.

(56) **References Cited**

U.S. PATENT DOCUMENTS

D185,589	S	*	6/1959	Allan, Jr.	D15/123
D218,910	S	*	10/1970	Gargrave	D15/140
D240,497	S	*	7/1976	Riba	D8/18
4,903,521	A		2/1990	Bulso, Jr. et al.		
D351,395	S	*	10/1994	Moellering	D15/140
D377,029	S	*	12/1996	McLeod	D15/139
D384,962	S	*	10/1997	McLeod	D15/139
5,690,203	A	*	11/1997	Link	F16D 13/757 192/111.3

5,934,429	A	*	8/1999	Jennings	F16D 13/757 192/111.3
6,109,412	A	*	8/2000	Cole	F16D 13/757 192/111.3
D440,138	S	*	4/2001	Campbell	D8/71
D458,308	S	*	6/2002	Hsuan	D19/65
6,931,905	B2		8/2005	Rubalcava et al.		
D592,685	S	*	5/2009	Ferry	D15/128
D599,386	S	*	9/2009	Moellering	D15/140
7,690,130	B1	*	4/2010	Risinger	G01B 3/22 33/549
D690,332	S	*	9/2013	Morehead	B21D 28/34 D15/128

(Continued)

Primary Examiner — Patricia A Palasik

(74) *Attorney, Agent, or Firm* — Eckert Seamans Cherin & Mellott, LLC; David C. Jenkins

(57) **CLAIM**

The ornamental design for set of locating fingers, as shown and described.

DESCRIPTION

This application is related to commonly assigned, and concurrently filed, U.S. Design patent application Ser. No. 29/556 486, filed Mar. 1, 2016, now U.S. Pat. No. D-787, 576, issued May 23, 2017, entitled Punch With Locating fingers, which is incorporated by reference.

FIG. 1 is an isometric view of the set of locating fingers; FIG. 2 is another isometric view of the set of locating fingers;

FIG. 3 is a left side view of the set of locating fingers;

FIG. 4 is a right side view of the set of locating fingers;

FIG. 5 is a front view of the set of locating fingers;

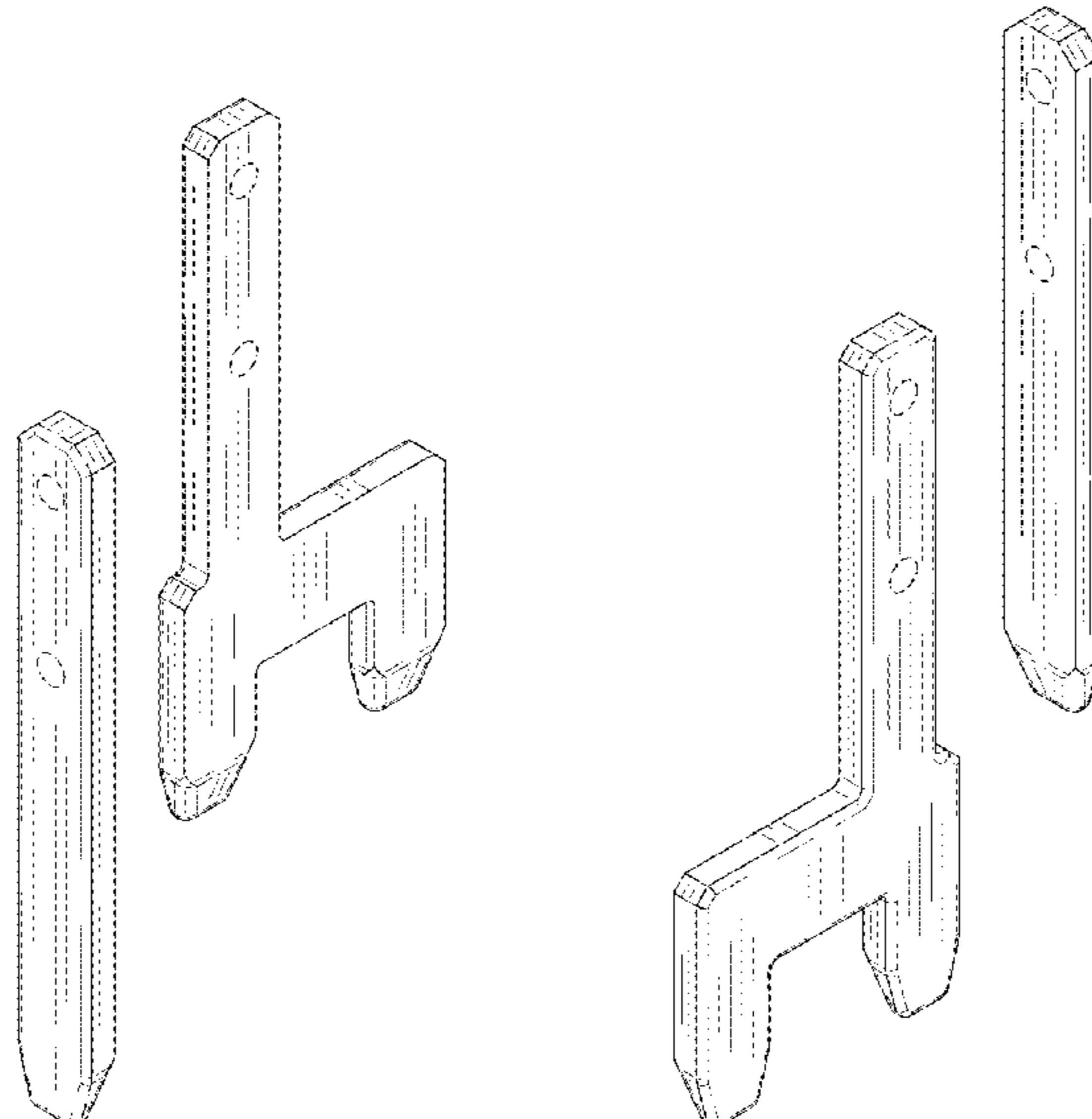
FIG. 6 is a back view of the set of locating fingers;

FIG. 7 is a top view of the set of locating fingers; and,

FIG. 8 is a bottom view of the set of locating fingers.

The broken lines shown represent unclaimed subject matter only and form no part of the claimed subject matter.

1 Claim, 8 Drawing Sheets



(56)

References Cited

U.S. PATENT DOCUMENTS

D719,590 S * 12/2014 Johnston D15/128
2003/0027699 A1 * 2/2003 Brodie B21D 37/04
483/28
2004/0045424 A1 * 3/2004 Ikeda B21D 28/12
83/684
2006/0229133 A1 * 10/2006 Lin B25B 15/005
470/63
2007/0005072 A1 * 1/2007 Castillo A61B 17/1671
606/79
2007/0068352 A1 * 3/2007 Morgan B21D 28/34
83/140
2007/0180723 A1 * 8/2007 Morgan B21D 28/125
33/645
2008/0295562 A1 * 12/2008 Straka B21D 22/02
72/333
2008/0314220 A1 * 12/2008 Ferry B44B 5/0057
83/684
2010/0139470 A1 * 6/2010 Buettner B21D 28/12
83/681
2011/0086122 A1 * 4/2011 Cai B21D 28/34
425/195
2014/0109742 A1 * 4/2014 Elsmore B21D 28/346
83/138
2015/0050094 A1 2/2015 Gerlings
2016/0375479 A1 * 12/2016 Ishikawa B21D 37/205
72/329

* cited by examiner

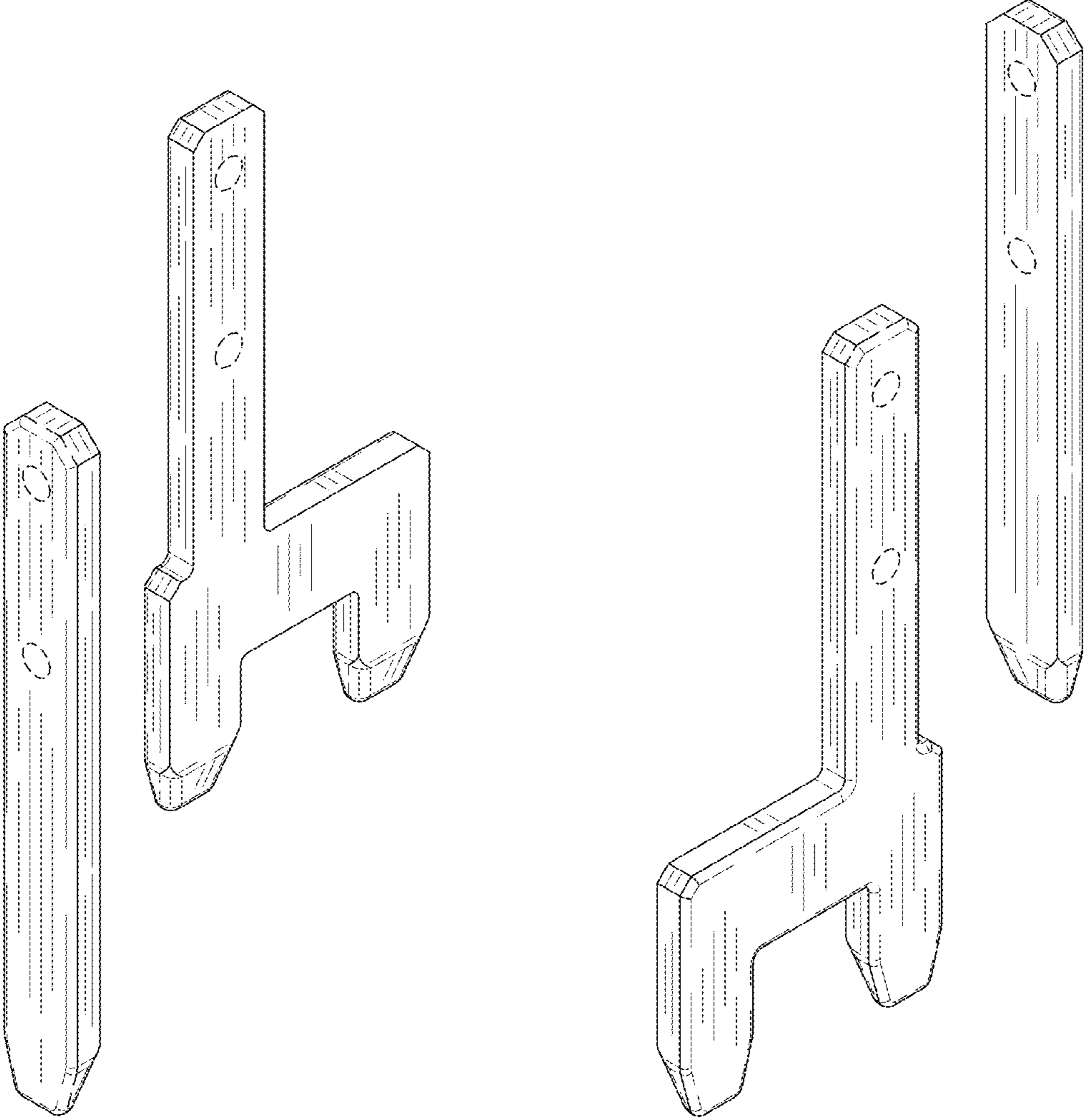


FIG.1

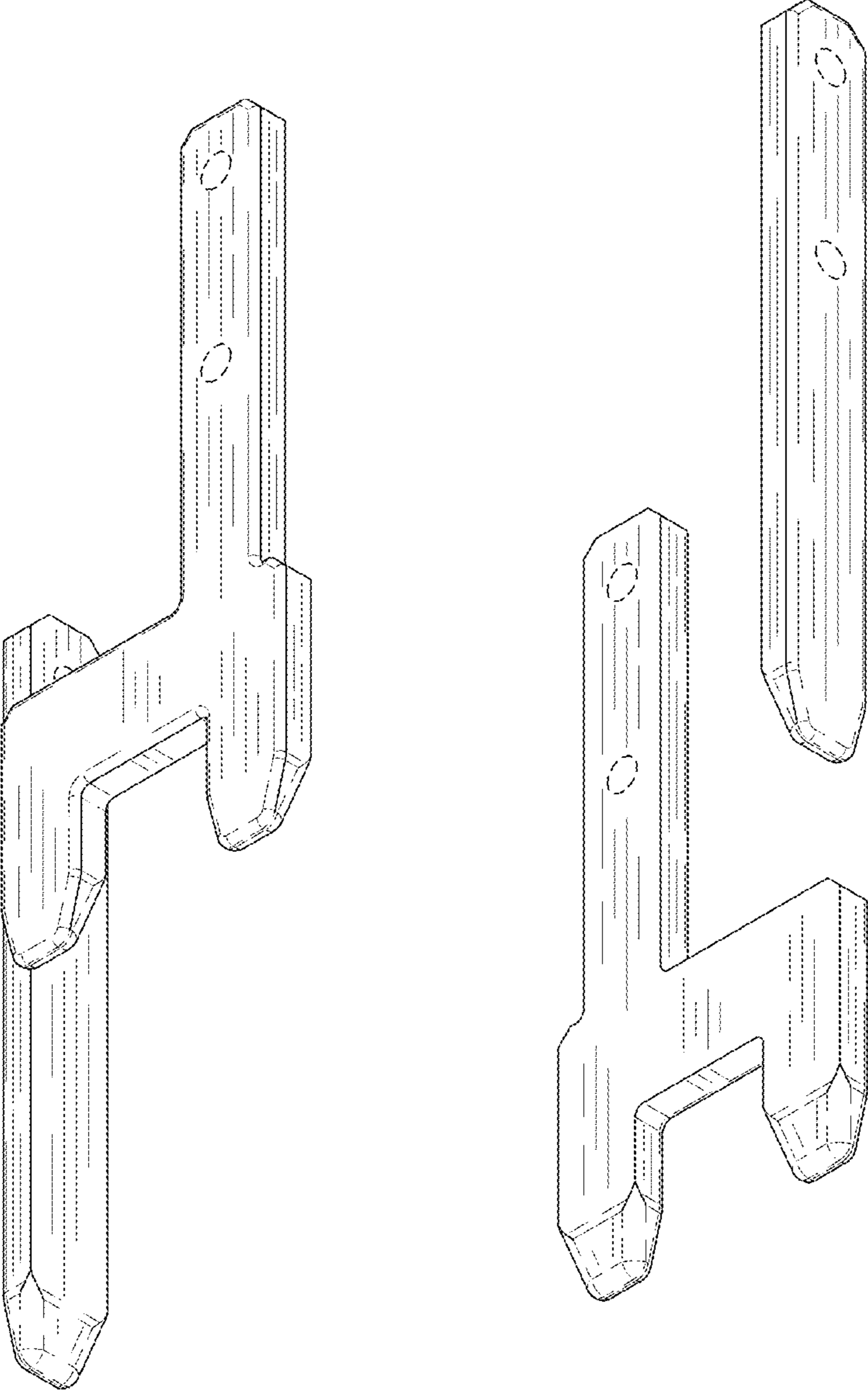


FIG. 2

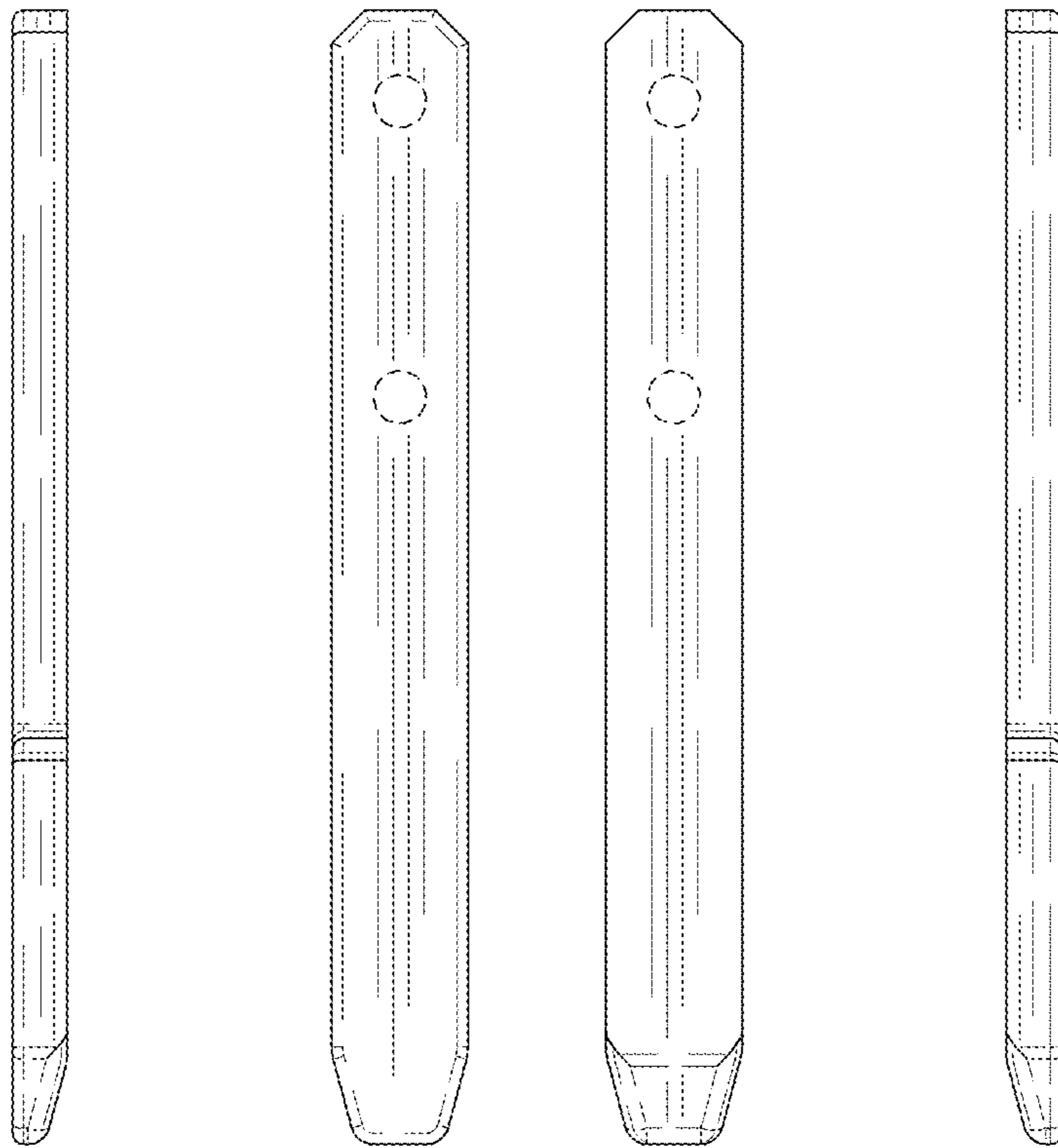


FIG. 3

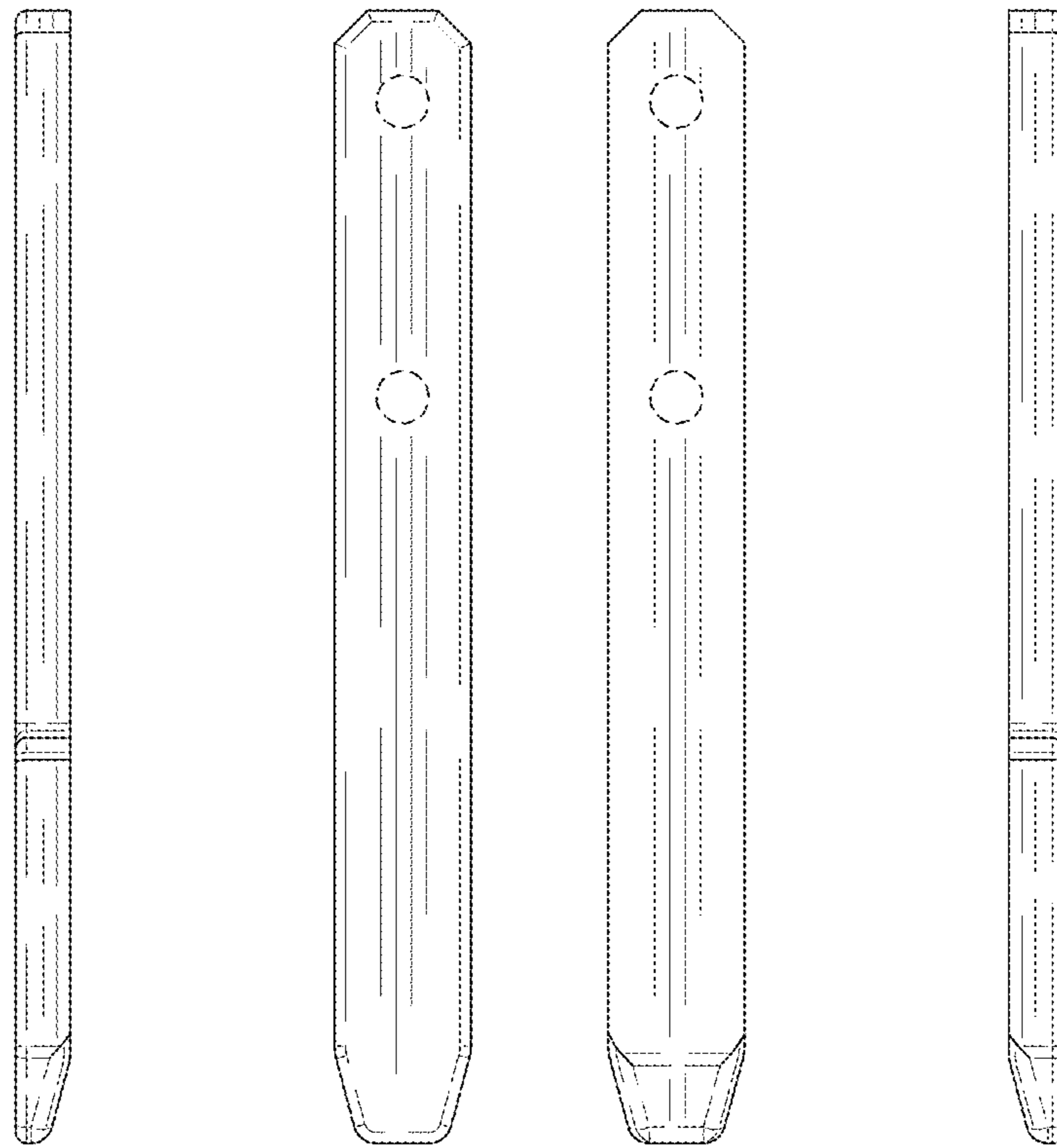


FIG. 4

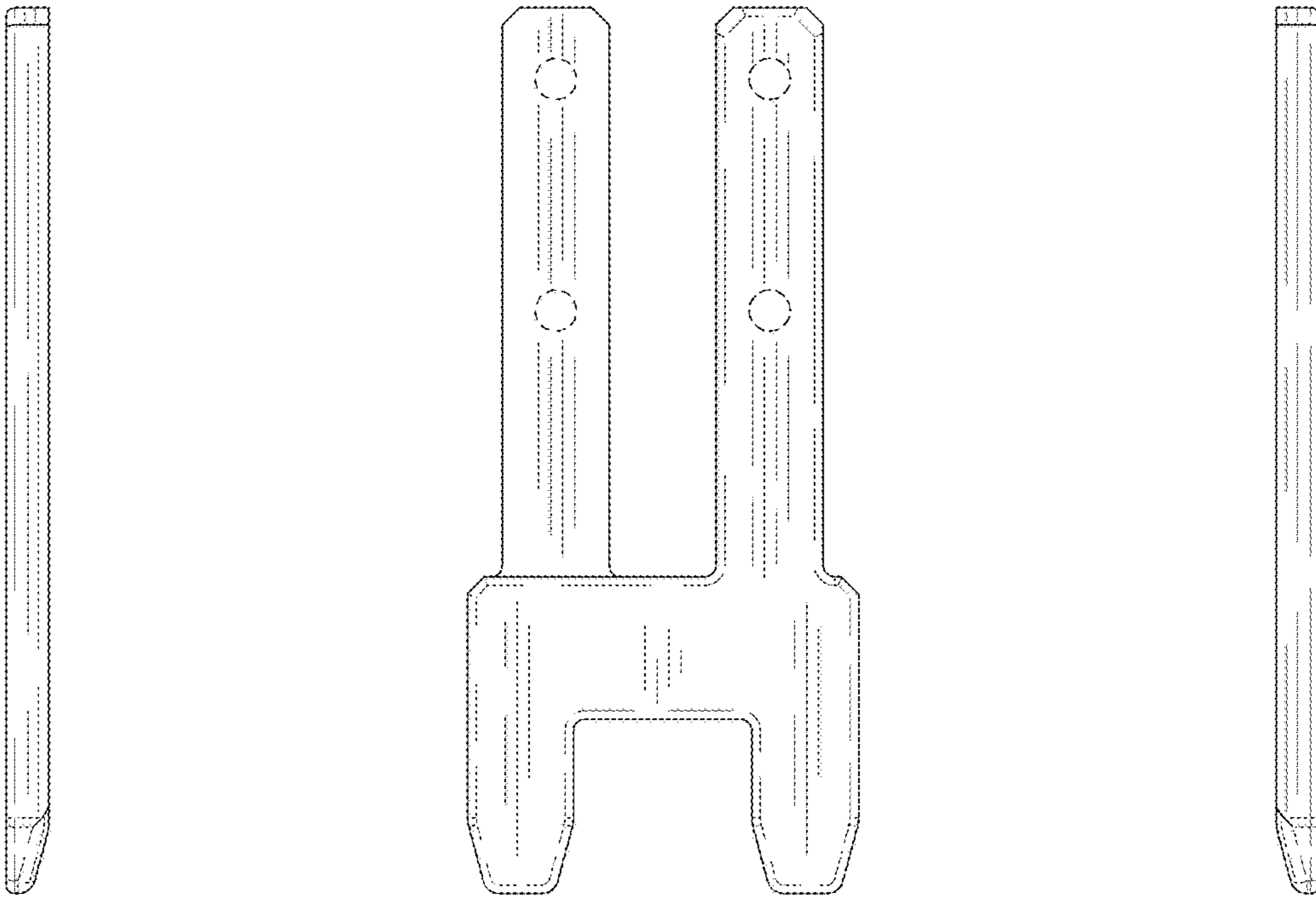


FIG. 5

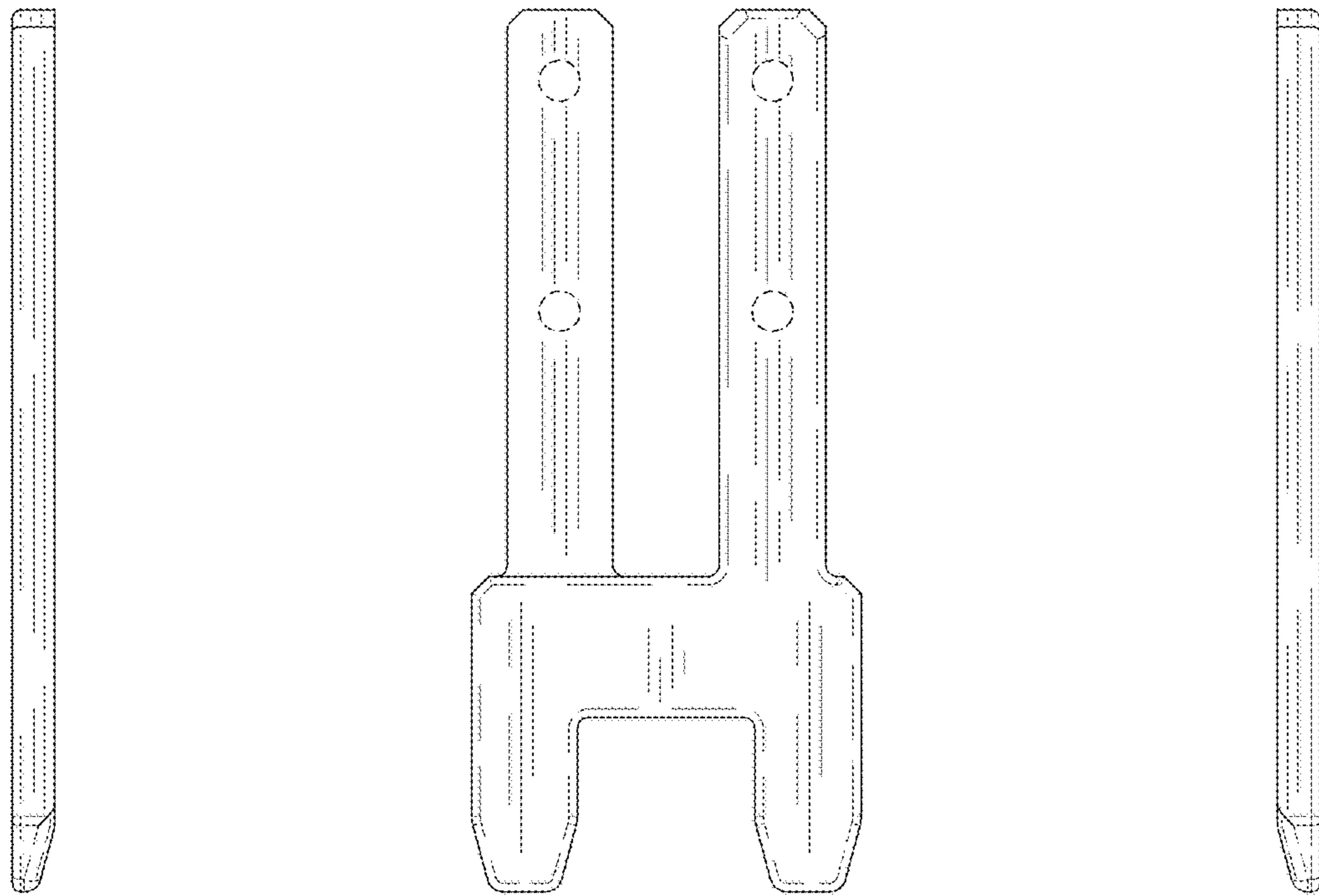


FIG. 6

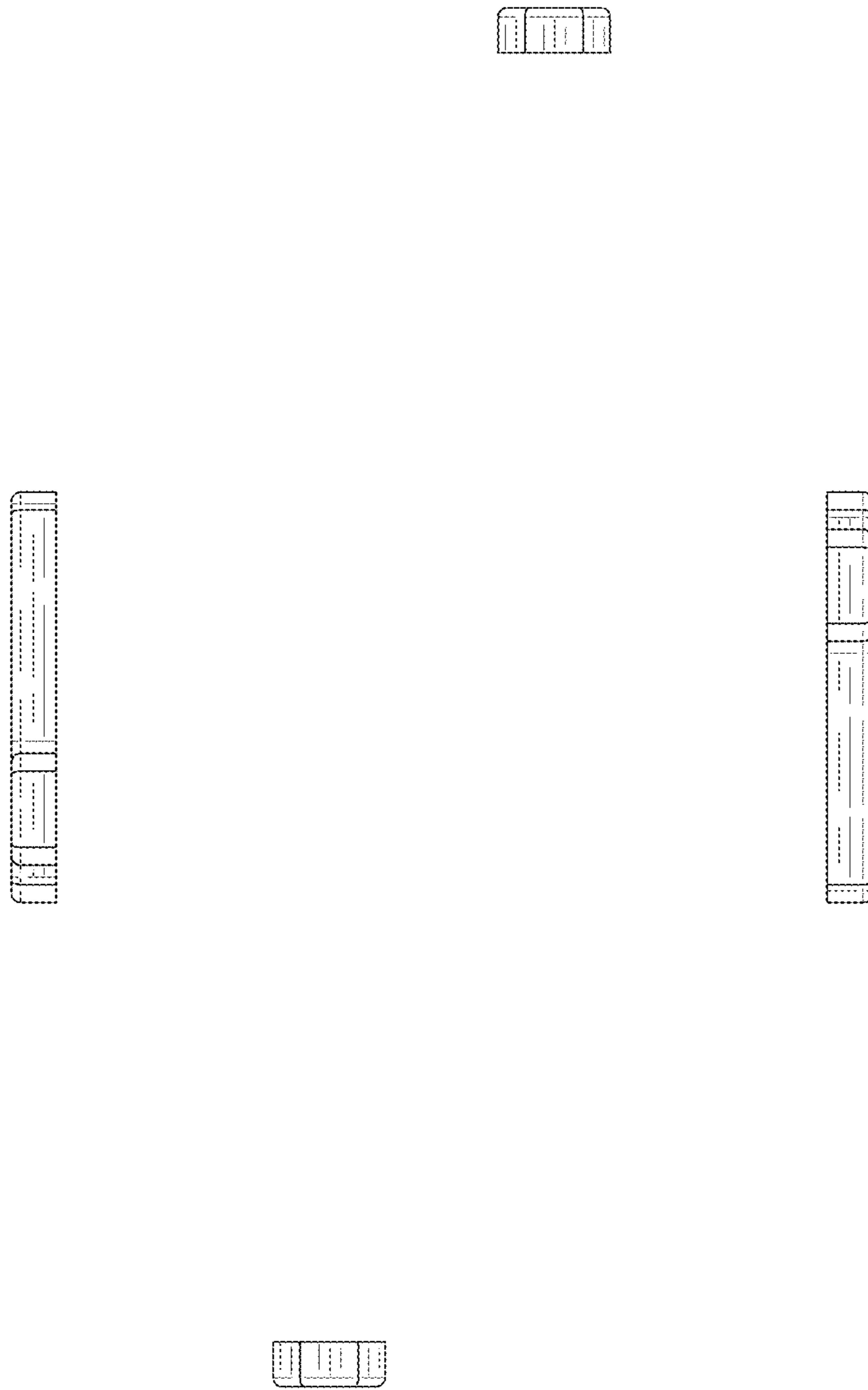


FIG. 7

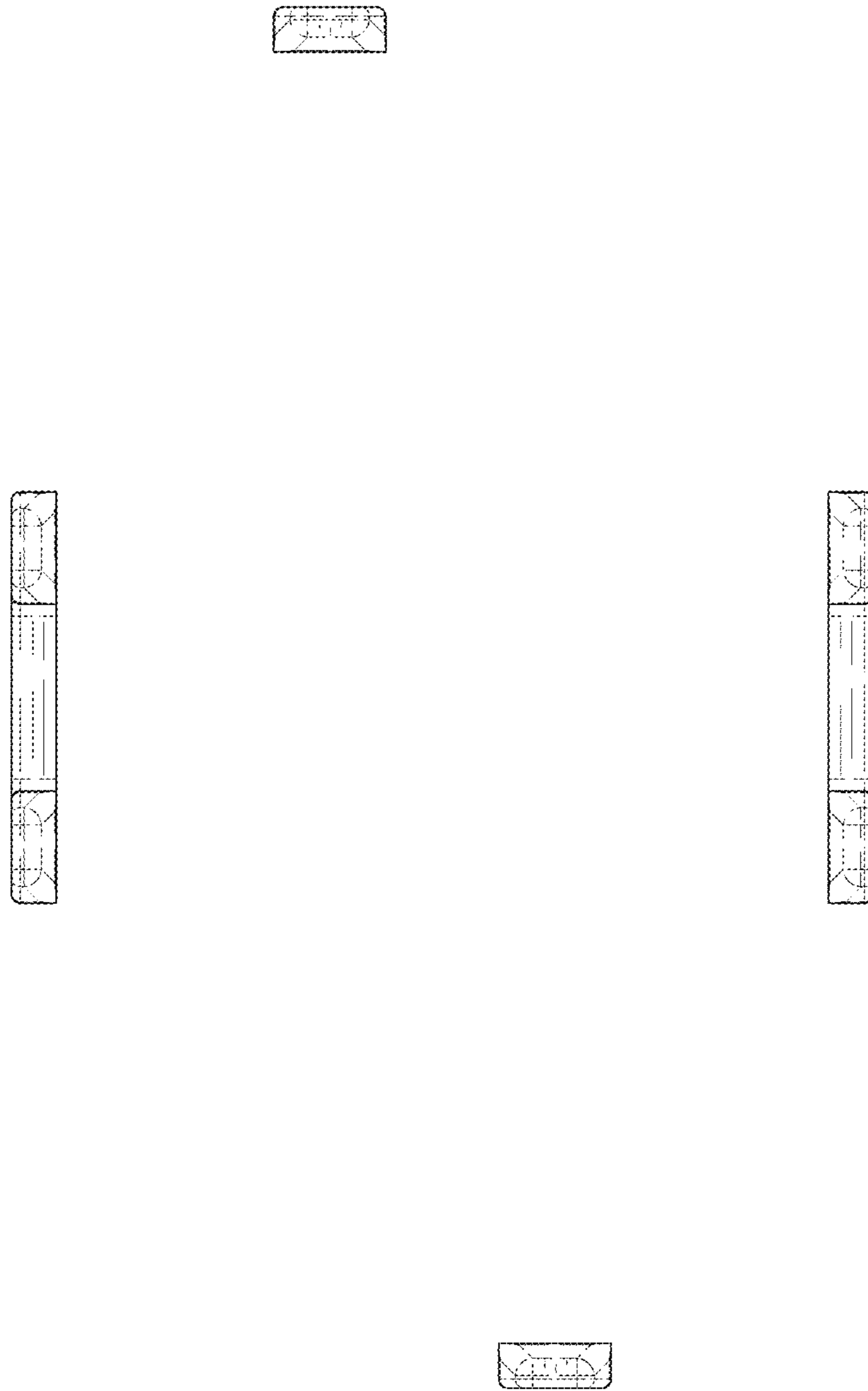


FIG. 8