

US00D803905S

(12) **United States Design Patent**
Zhang

(10) **Patent No.:** **US D803,905 S**

(45) **Date of Patent:** **** Nov. 28, 2017**

(54) **MACHINE HOUSING**

(71) Applicant: **Guangzhou Balancer Machinery Co., Ltd.**, Guangzhou, Guangdong (CN)

(72) Inventor: **Shaoyu Zhang**, Guangzhou (CN)

(73) Assignee: **Guangzhou Balancer Machinery Co., Ltd.**, Guangzhou, Guangdong (CN)

(**) Term: **15 Years**

(21) Appl. No.: **29/596,784**

(22) Filed: **Mar. 10, 2017**

Related U.S. Application Data

(62) Division of application No. 29/537,613, filed on Aug. 27, 2015.

(30) **Foreign Application Priority Data**

May 26, 2015 (CN) 2015 3 0162973

(51) **LOC (10) Cl.** **15-09**

(52) **U.S. Cl.**
USPC **D15/122**

(58) **Field of Classification Search**

USPC D15/122-143; 219/121.6, 121.67, 121.78
CPC B23K 26/38; B23K 26/087
See application file for complete search history.

(56) **References Cited**

U.S. PATENT DOCUMENTS

D479,086 S * 9/2003 Rivard D7/306
D604,342 S * 11/2009 Lodridge D15/122

D632,709 S * 2/2011 Schade B01D 21/0012
D15/122
D635,595 S * 4/2011 Hiroshima D15/122
D685,825 S * 7/2013 Hoelbl D15/122
D694,298 S * 11/2013 Hoelbl D15/122
D695,324 S * 12/2013 Ballweg D15/122
D718,795 S * 12/2014 Schonherr D15/122
D729,290 S * 5/2015 Yamada D15/122
D759,736 S * 6/2016 Huang D15/122
D759,737 S * 6/2016 Gramlich D15/122
D762,748 S * 8/2016 Schonherr D15/122
D767,652 S * 9/2016 Schonherr D15/122

* cited by examiner

Primary Examiner — Patricia Palasik

(74) *Attorney, Agent, or Firm* — The Dobrusin Law Firm, P.C.

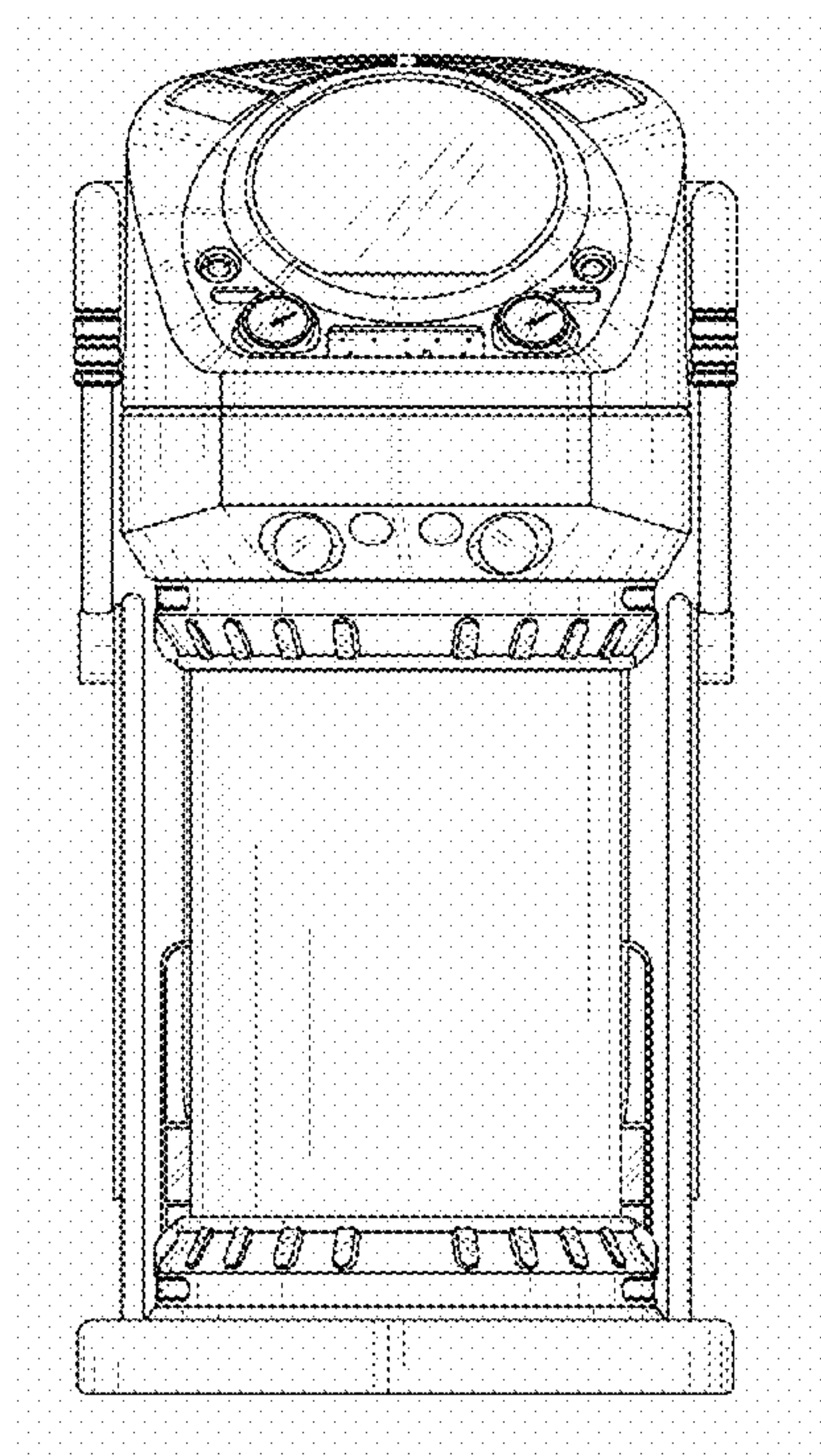
(57) **CLAIM**

The ornamental design for a machine housing, as shown and described.

DESCRIPTION

FIG. 1 is a front view of a machine housing;
FIG. 2 is a rear view of the machine housing;
FIG. 3 is a left view of the machine housing;
FIG. 4 is a right view of the machine housing; and,
FIG. 5 is a top view of the machine housing.
The broken lines in the drawings depict unclaimed environmental subject matter.

1 Claim, 5 Drawing Sheets



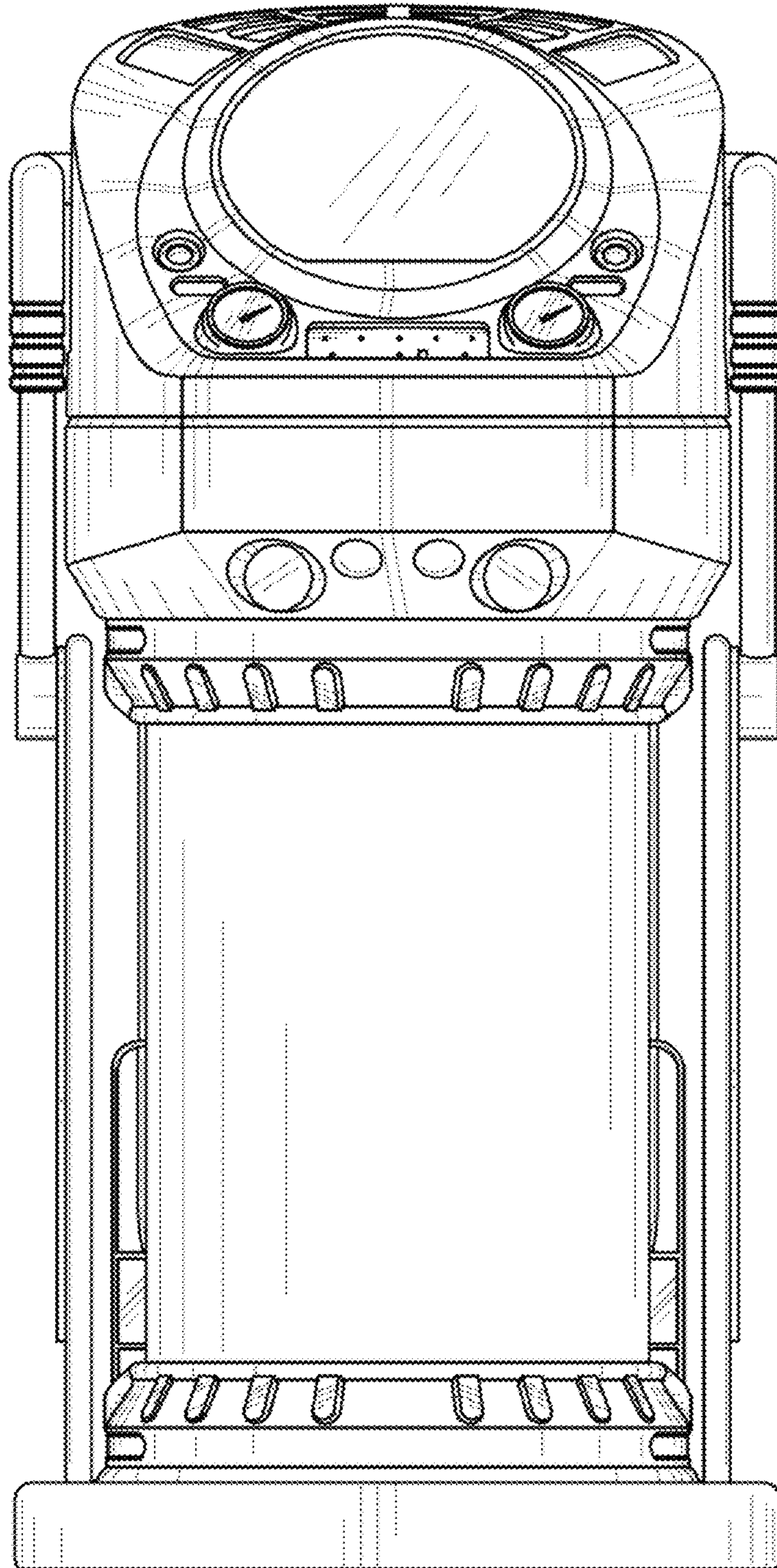


Fig. 1

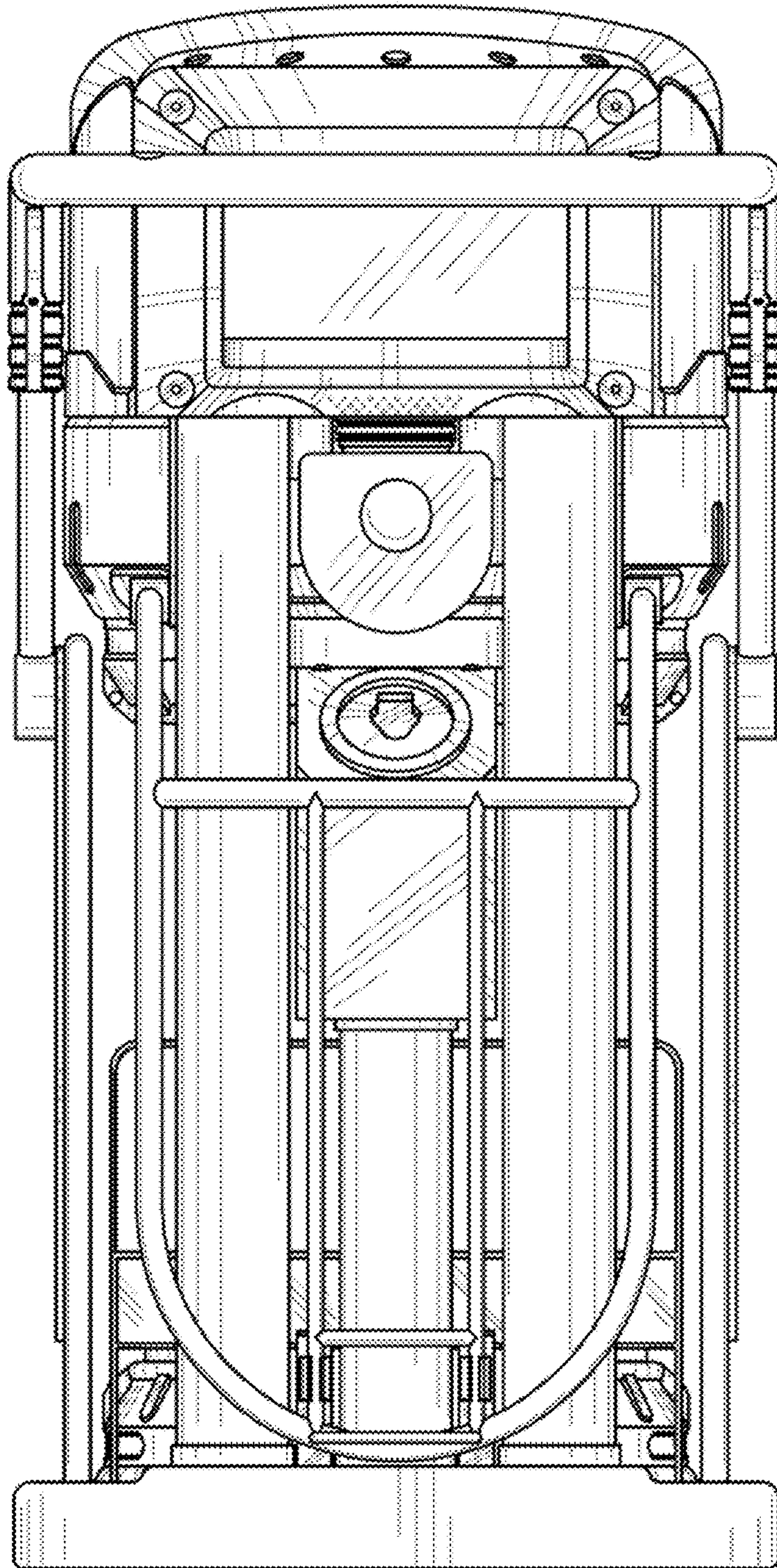


Fig.2

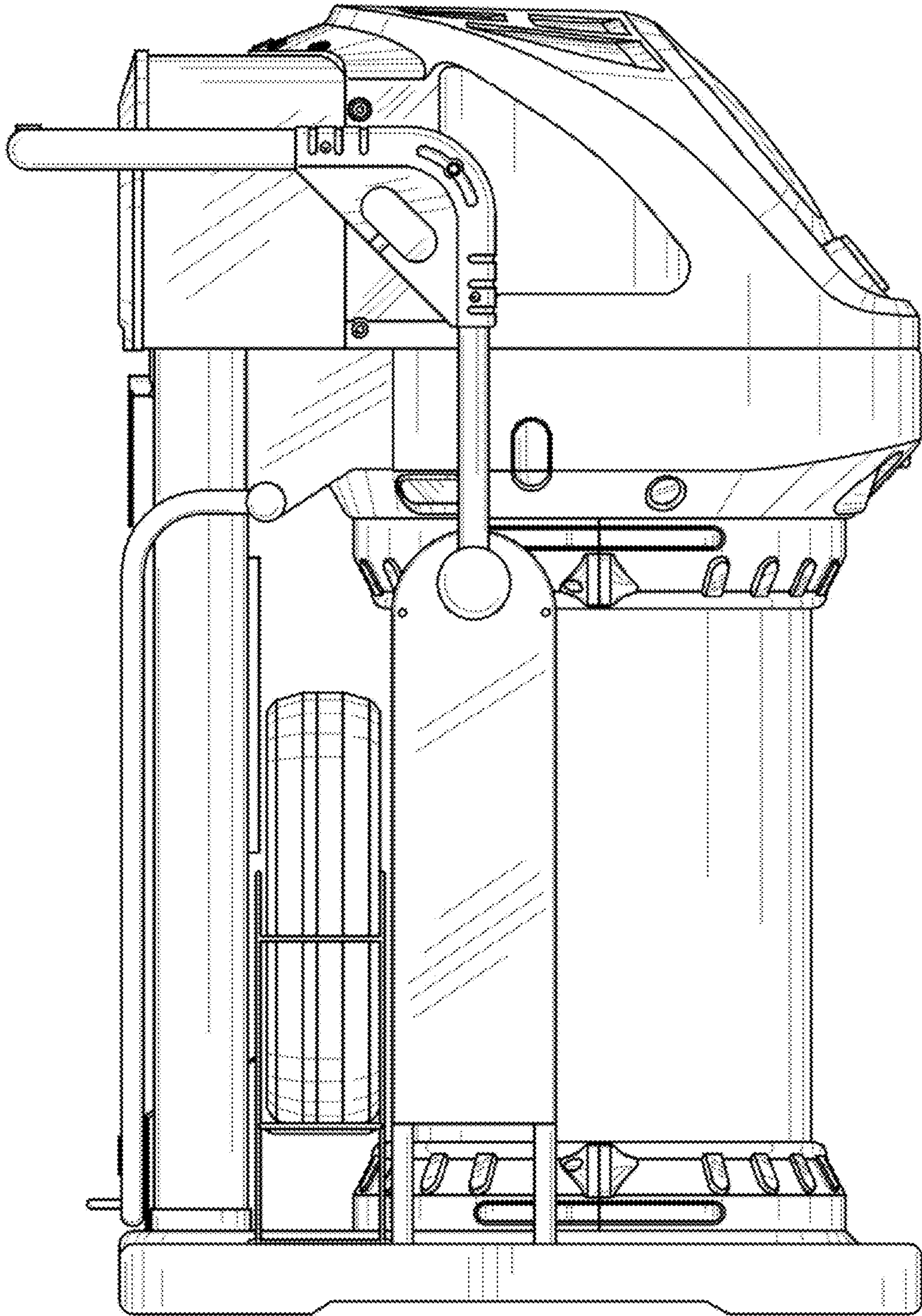


Fig.3

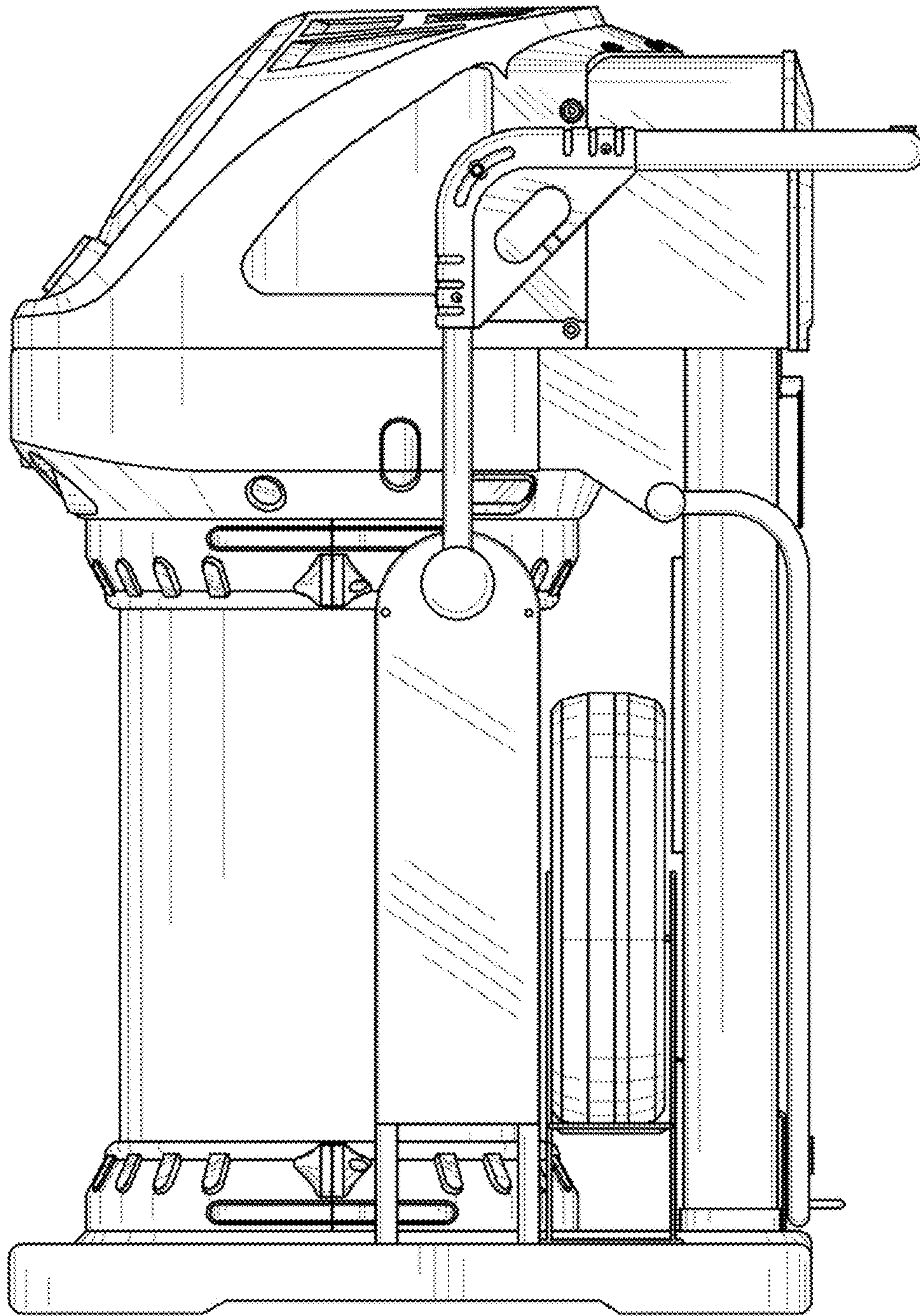


Fig.4

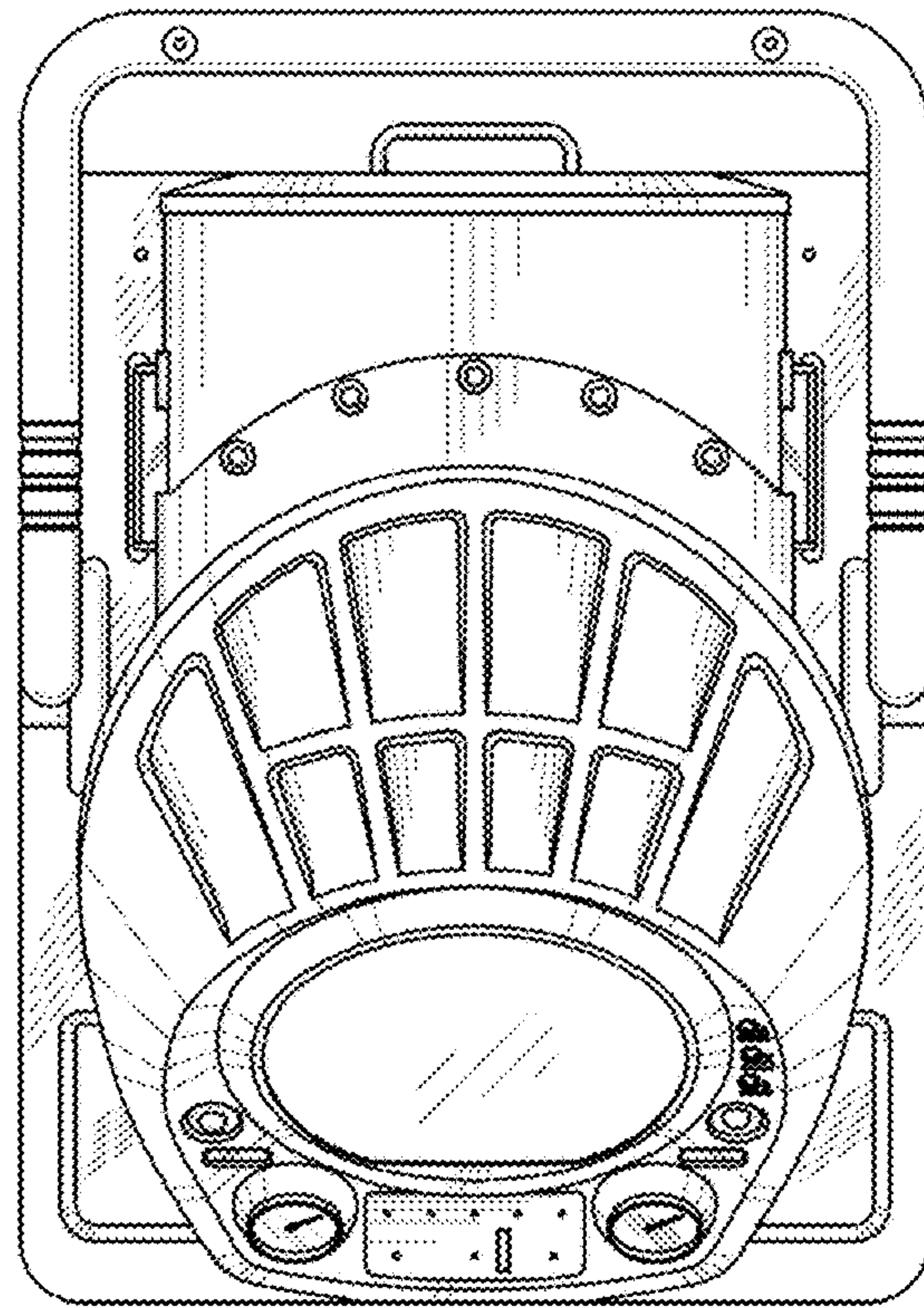


Fig.5