



US00D803904S

(12) **United States Design Patent**  
**Frank et al.**

(10) **Patent No.:** **US D803,904 S**

(45) **Date of Patent:** **\*\* Nov. 28, 2017**

(54) **MOLD**

(71) Applicant: **ICI USA, LLC**, Seattle, WA (US)

(72) Inventors: **Matthew Frank**, Seattle, WA (US);  
**Jonathan Ostojic**, Seattle, WA (US)

(73) Assignee: **ICI USA, LLC**, Seattle, WA (US)

(\*\*) Term: **15 Years**

(21) Appl. No.: **29/575,262**

(22) Filed: **Aug. 23, 2016**

(51) **LOC (10) Cl.** ..... **15-07**

(52) **U.S. Cl.**  
USPC ..... **D15/90**; D7/672

(58) **Field of Classification Search**  
USPC .... D7/672-677, 354, 357, 414; D15/90, 80;  
30/316  
CPC ..... F25C 1/04; F25C 1/22; F25C 1/24; F25C  
5/005; A21B 3/13; B23G 9/26; B23G  
9/503; B23G 9/221; B23G 9/083; A23P  
30/20; A23P 30/10; A22C 7/003; A47J  
43/20

See application file for complete search history.

(56) **References Cited**

U.S. PATENT DOCUMENTS

D292,802 S *	11/1987	Fails	.....	D15/90
5,618,463 A *	4/1997	Rindler	.....	A23G 9/221 249/91
D517,103 S *	3/2006	Ribeiro	.....	D15/90
7,905,466 B2 *	3/2011	Lee	.....	F25C 1/22 220/23.87
D674,419 S *	1/2013	Cunnington	.....	D15/90
D684,019 S *	6/2013	Facey	.....	D7/354
D734,106 S *	7/2015	Frank	.....	D7/672
D757,130 S *	5/2016	Frank	.....	D15/90
D781,932 S *	3/2017	Yoshikawa	.....	D15/80
9,642,393 B2 *	5/2017	Mele	.....	A23P 30/10

2007/0164192 A1 *	7/2007	Holden	.....	F25C 1/243 249/98
2010/0183789 A1 *	7/2010	Zorovich	.....	A23G 9/221 426/421
2015/0021458 A1 *	1/2015	Zorovich	.....	F25C 1/22 249/134

\* cited by examiner

*Primary Examiner* — Susan Bennett Hattan

*Assistant Examiner* — Brett Miller

(74) *Attorney, Agent, or Firm* — Cloutier Ortega

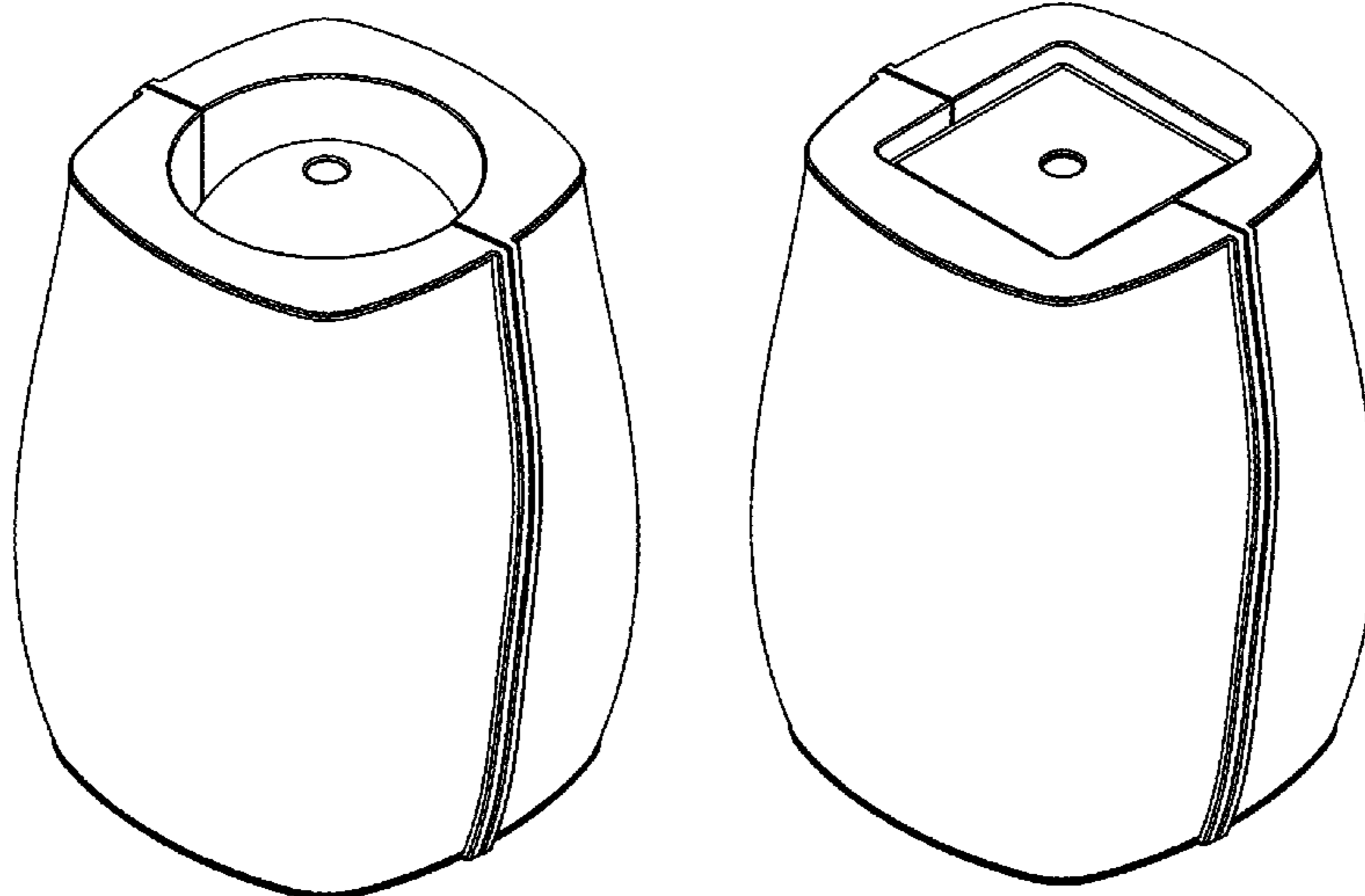
(57) **CLAIM**

We claim as our invention the ornamental design for a mold, as shown and described herein.

**DESCRIPTION**

FIG. 1 is a perspective view of a mold of a first embodiment in a closed position;  
 FIG. 2 is a front view of the mold of a first embodiment in a closed position;  
 FIG. 3 is a side view of the mold of a first embodiment in a closed position;  
 FIG. 4 is a top view of the mold of a first embodiment in a closed position;  
 FIG. 5 is a bottom view of the mold of a first embodiment in a closed position;  
 FIG. 6 is an exploded, perspective view of the mold of a first embodiment.  
 FIG. 7 is a perspective view of a mold of a second embodiment in a closed position;  
 FIG. 8 is a front view of the mold of a second embodiment in a closed position;  
 FIG. 9 is a side view of the mold of a second embodiment in a closed position;  
 FIG. 10 is a top view of the mold of a second embodiment in a closed position;  
 FIG. 11 is a bottom view of the mold of a second embodiment in a closed position; and,  
 FIG. 12 is an exploded, perspective view of the mold of a second embodiment.

**1 Claim, 12 Drawing Sheets**



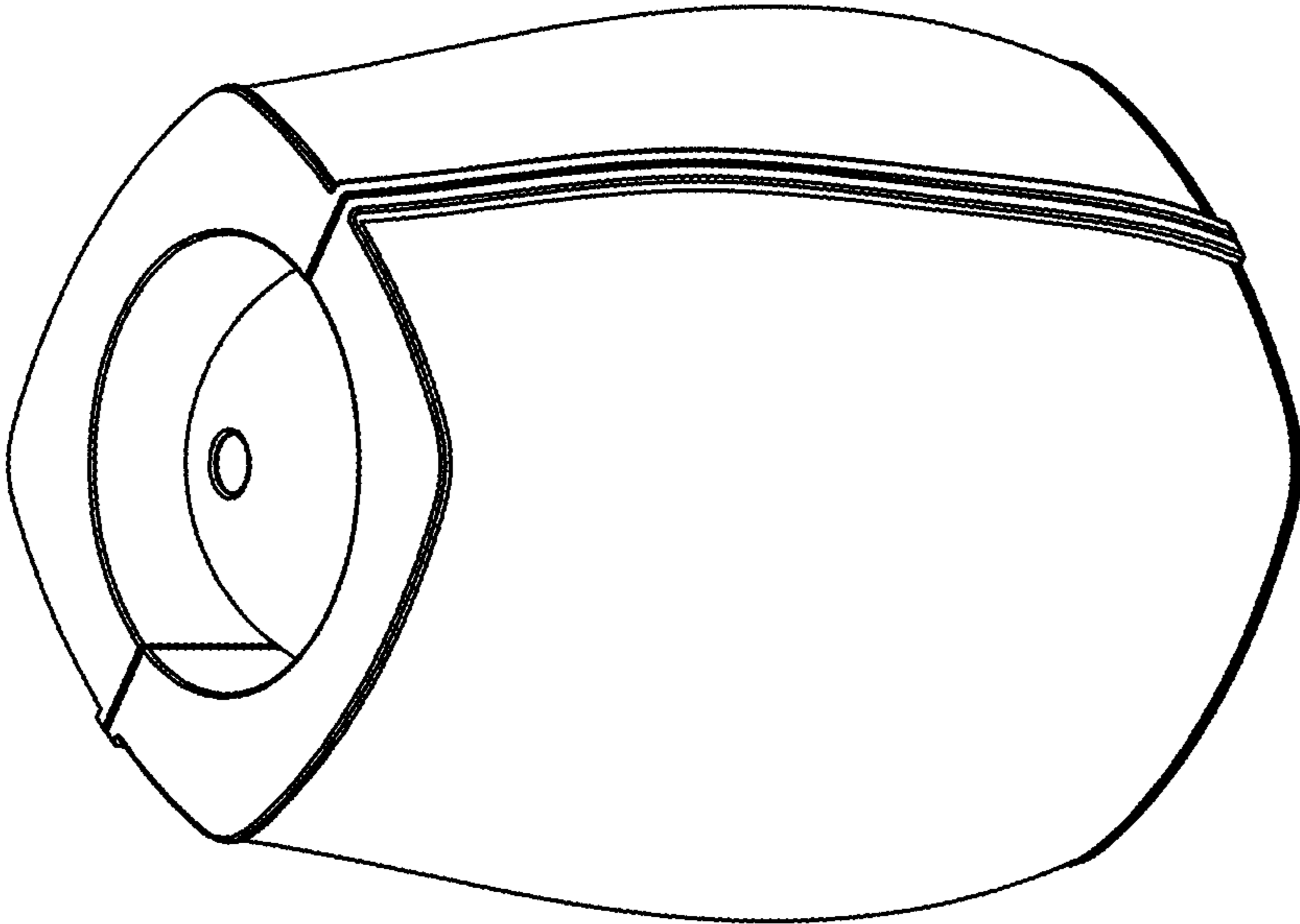


Fig. 1

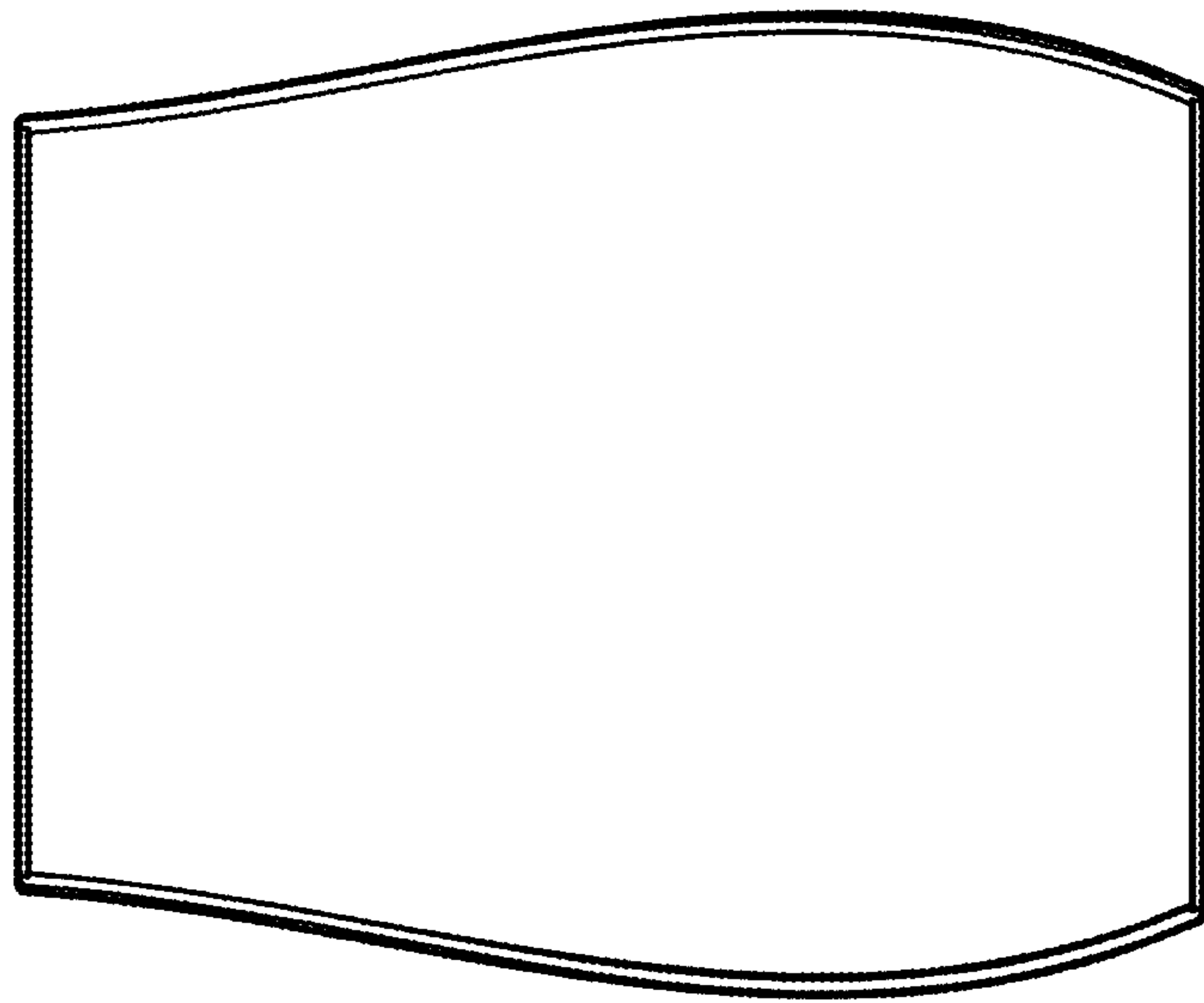


Fig. 2

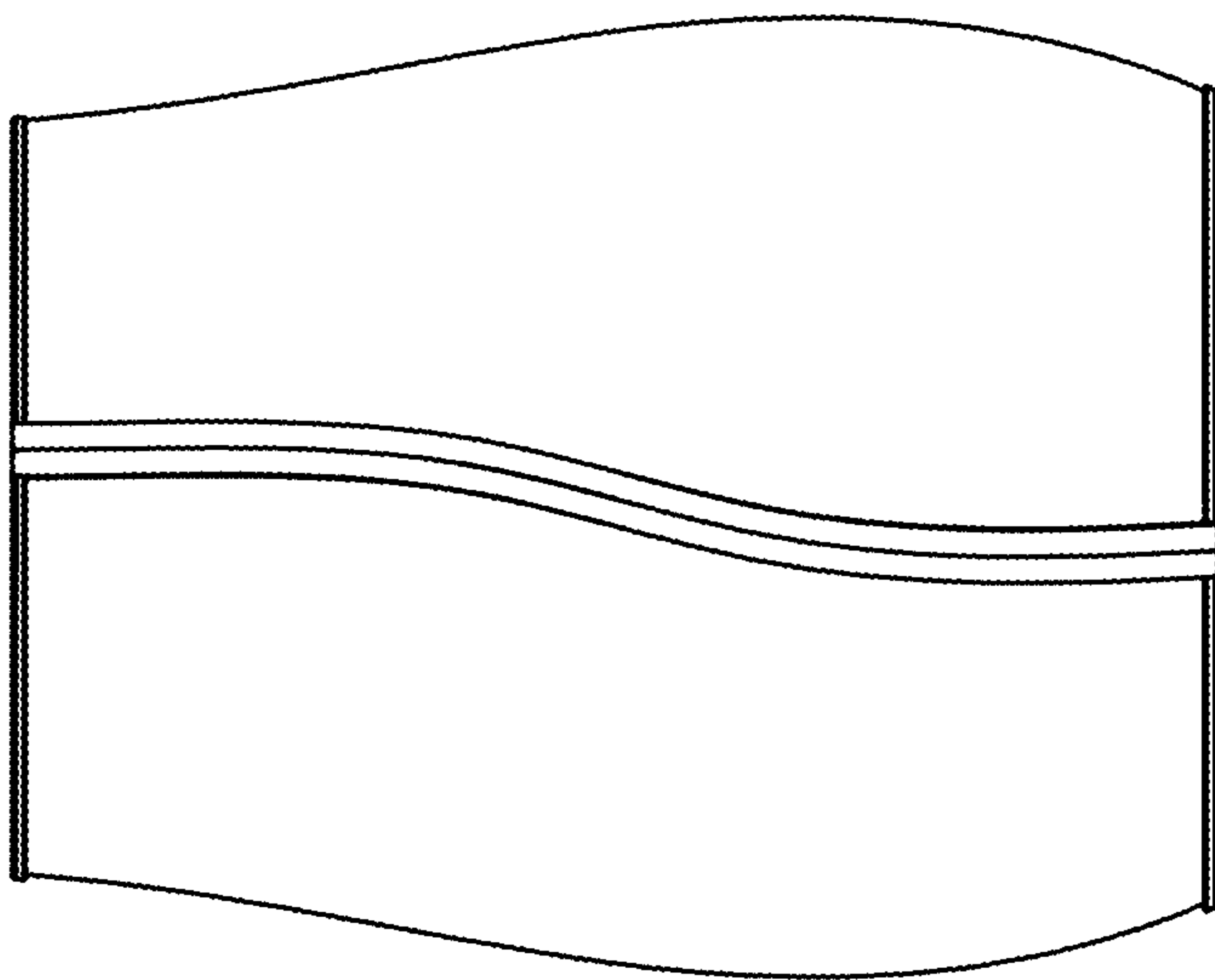


Fig. 3

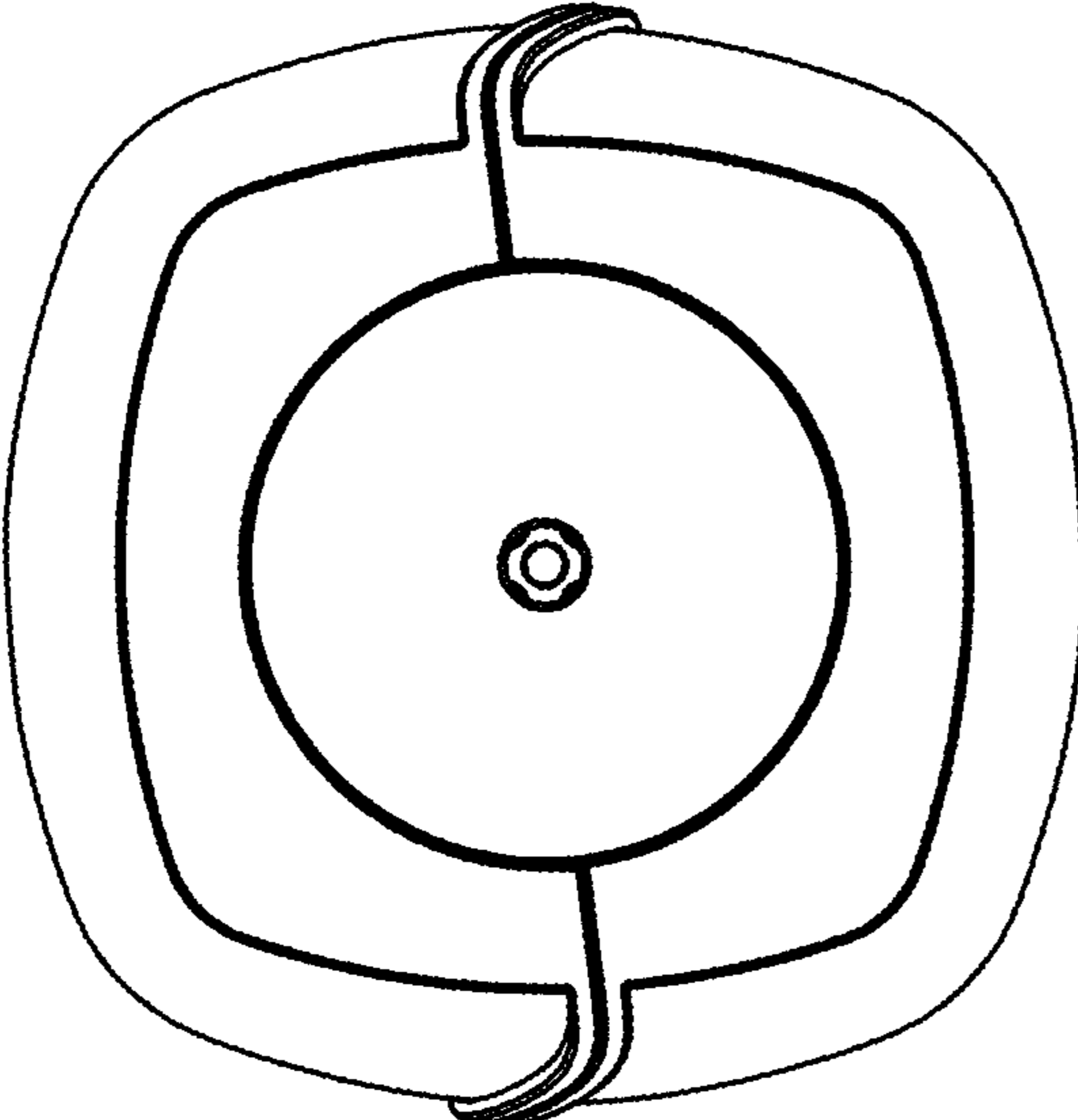


Fig. 4

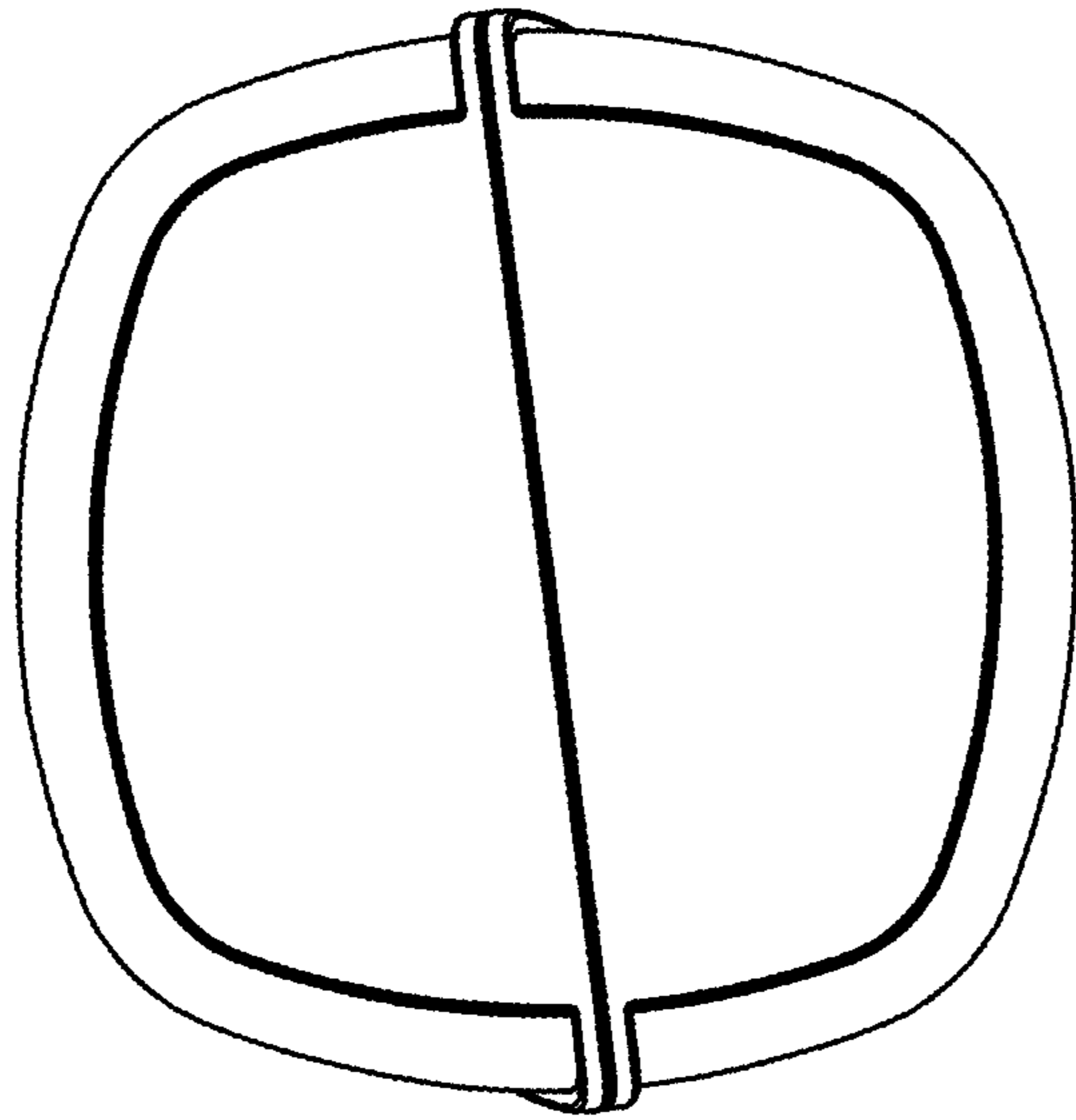


Fig. 5

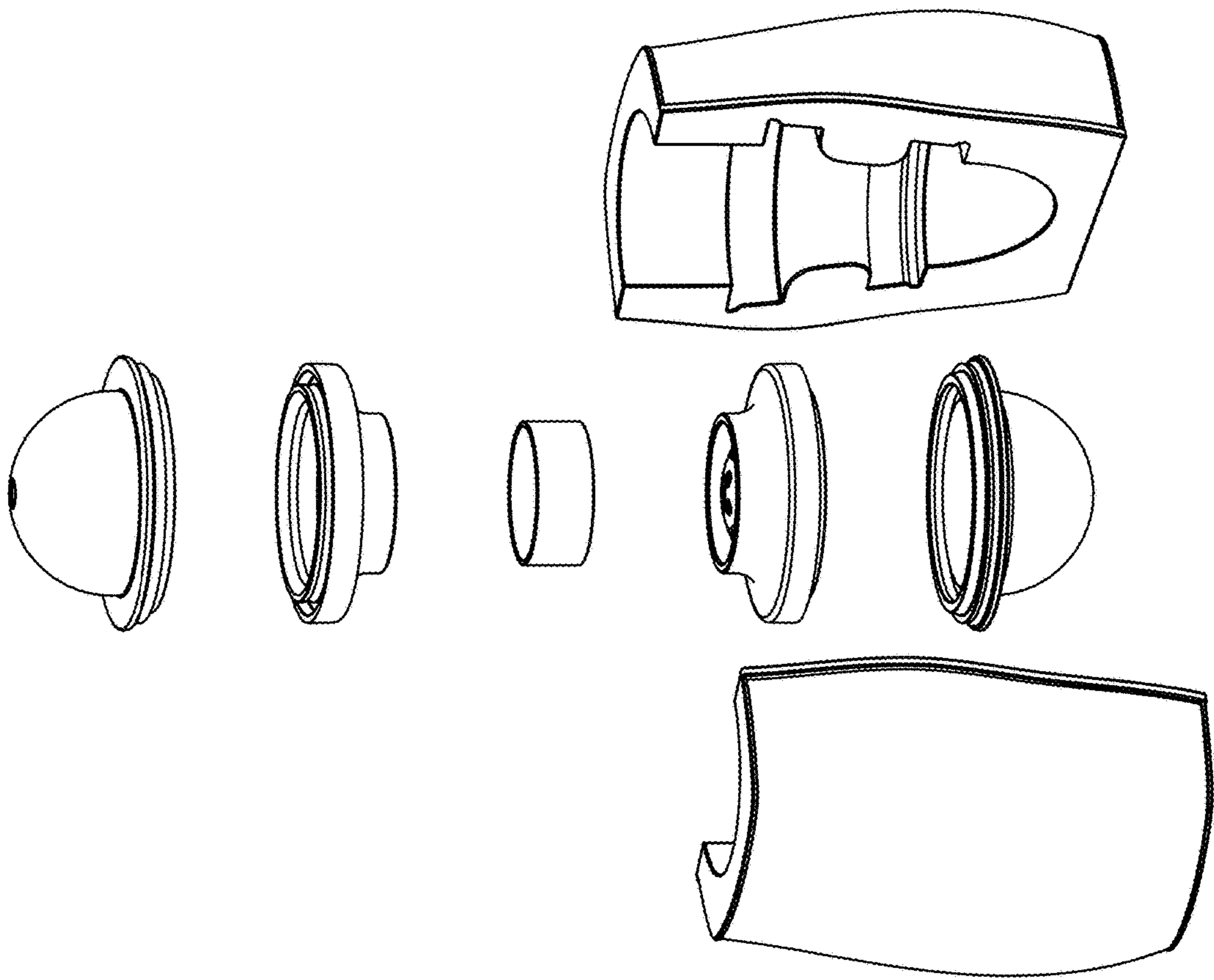


Fig. 6

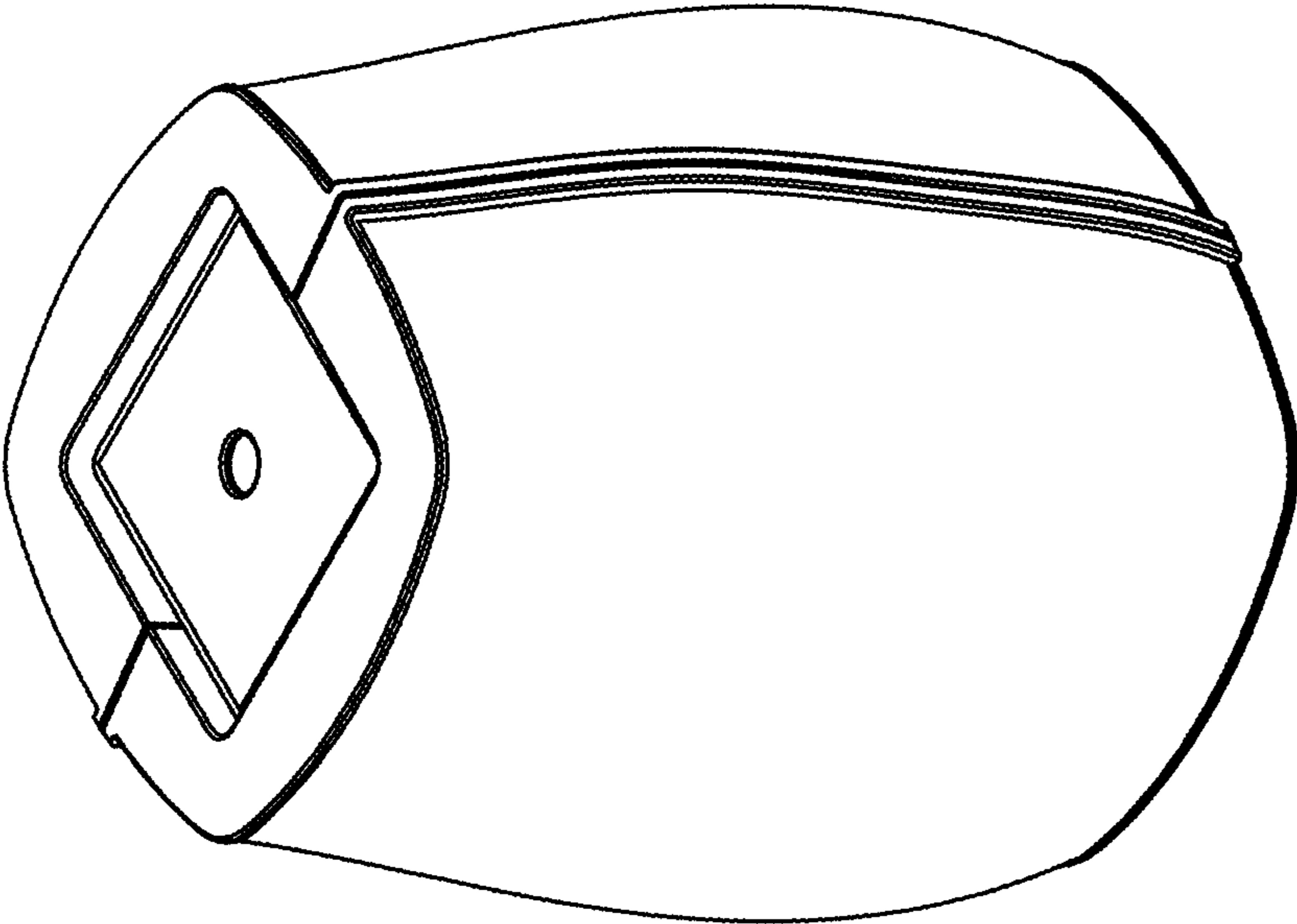


Fig. 7



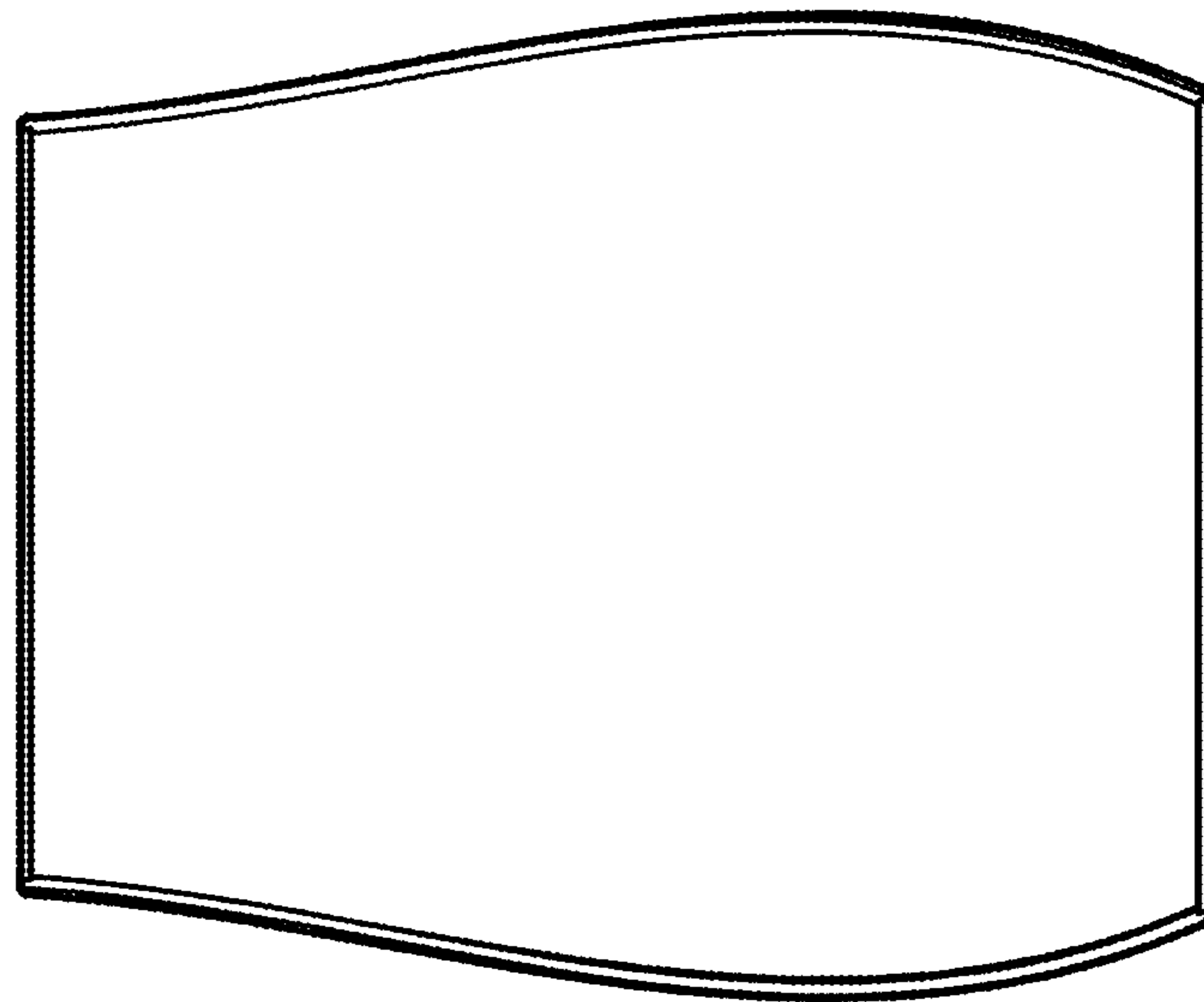


Fig. 8

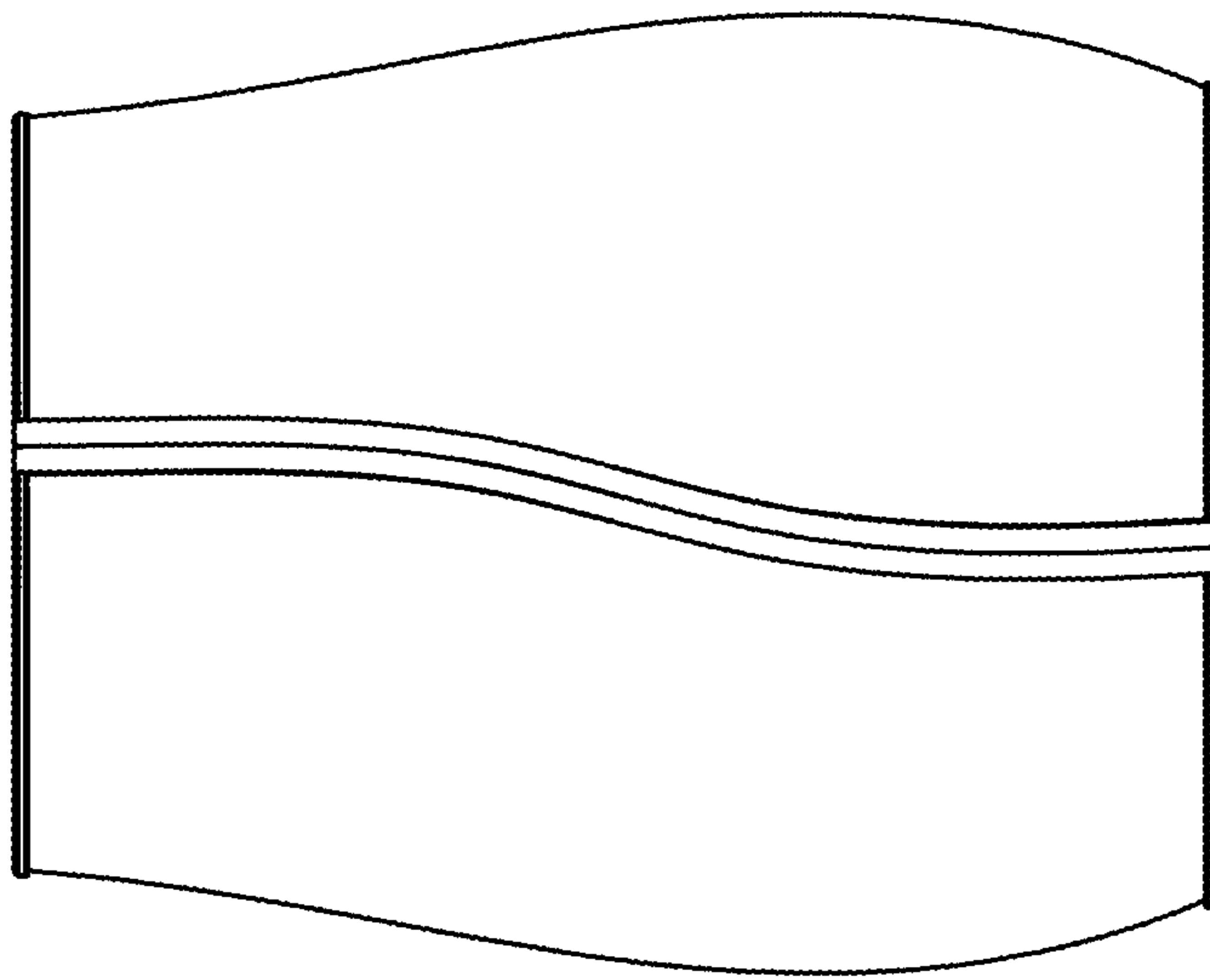


Fig. 9

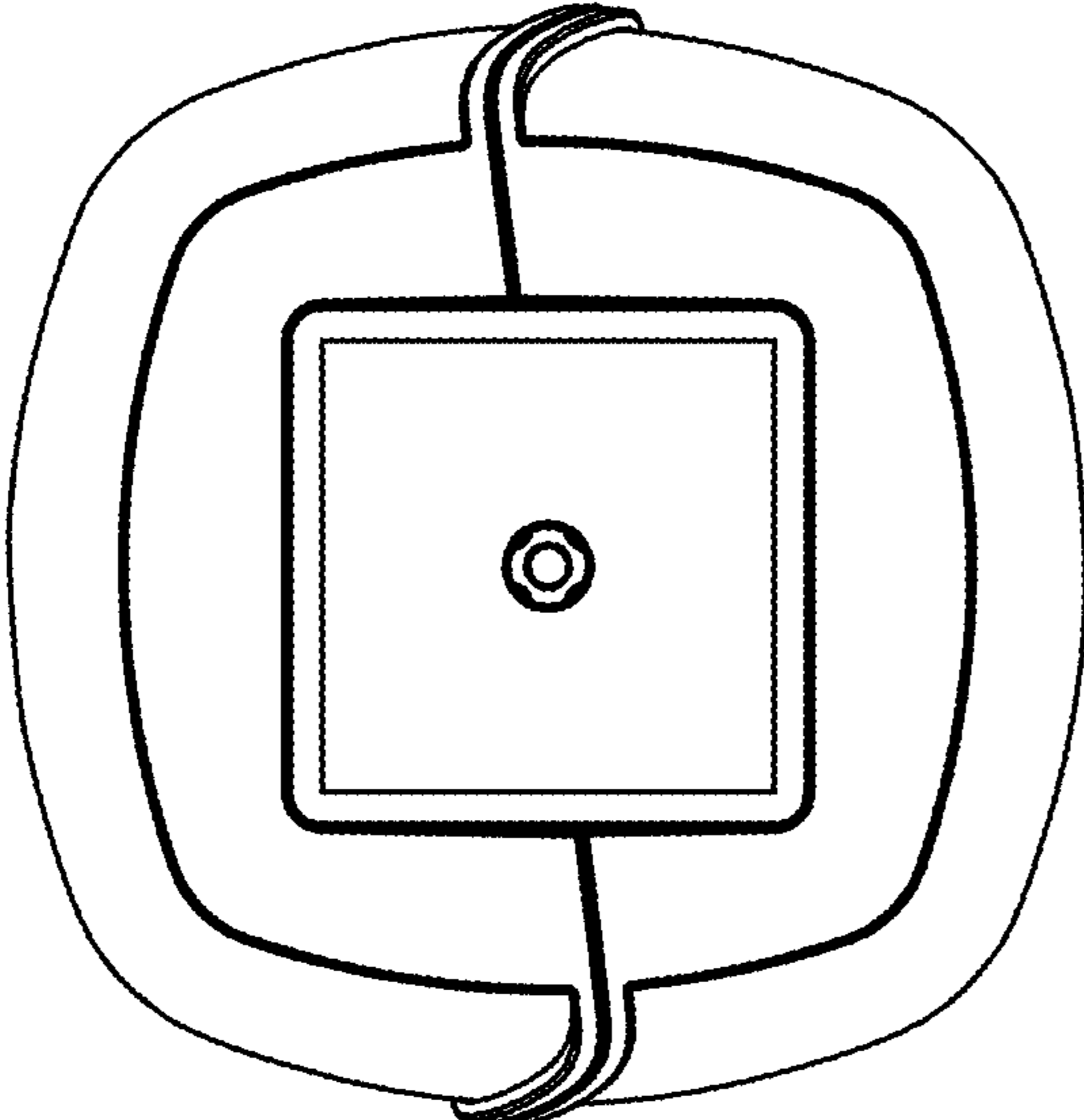


Fig. 10

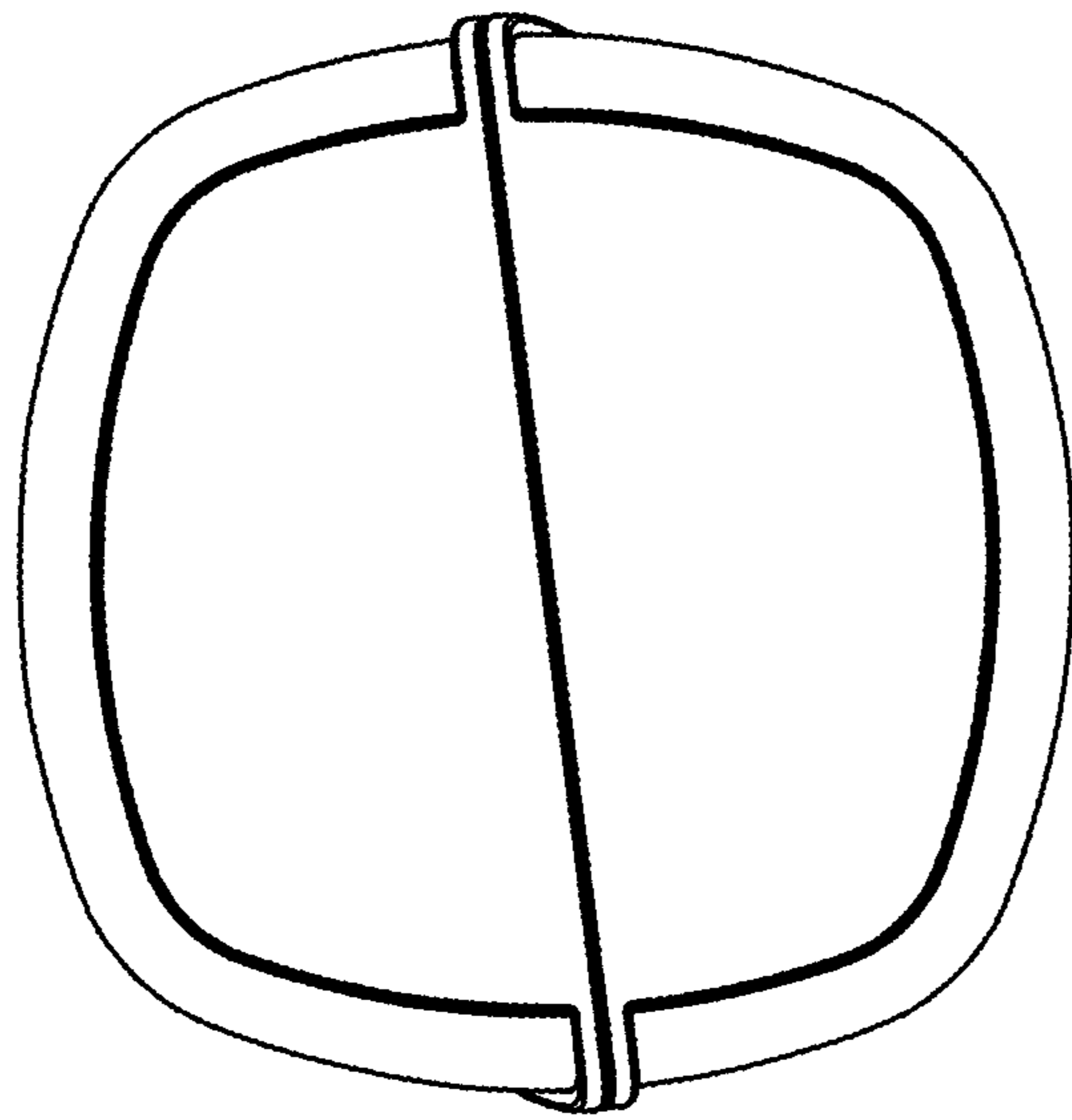


Fig. 11

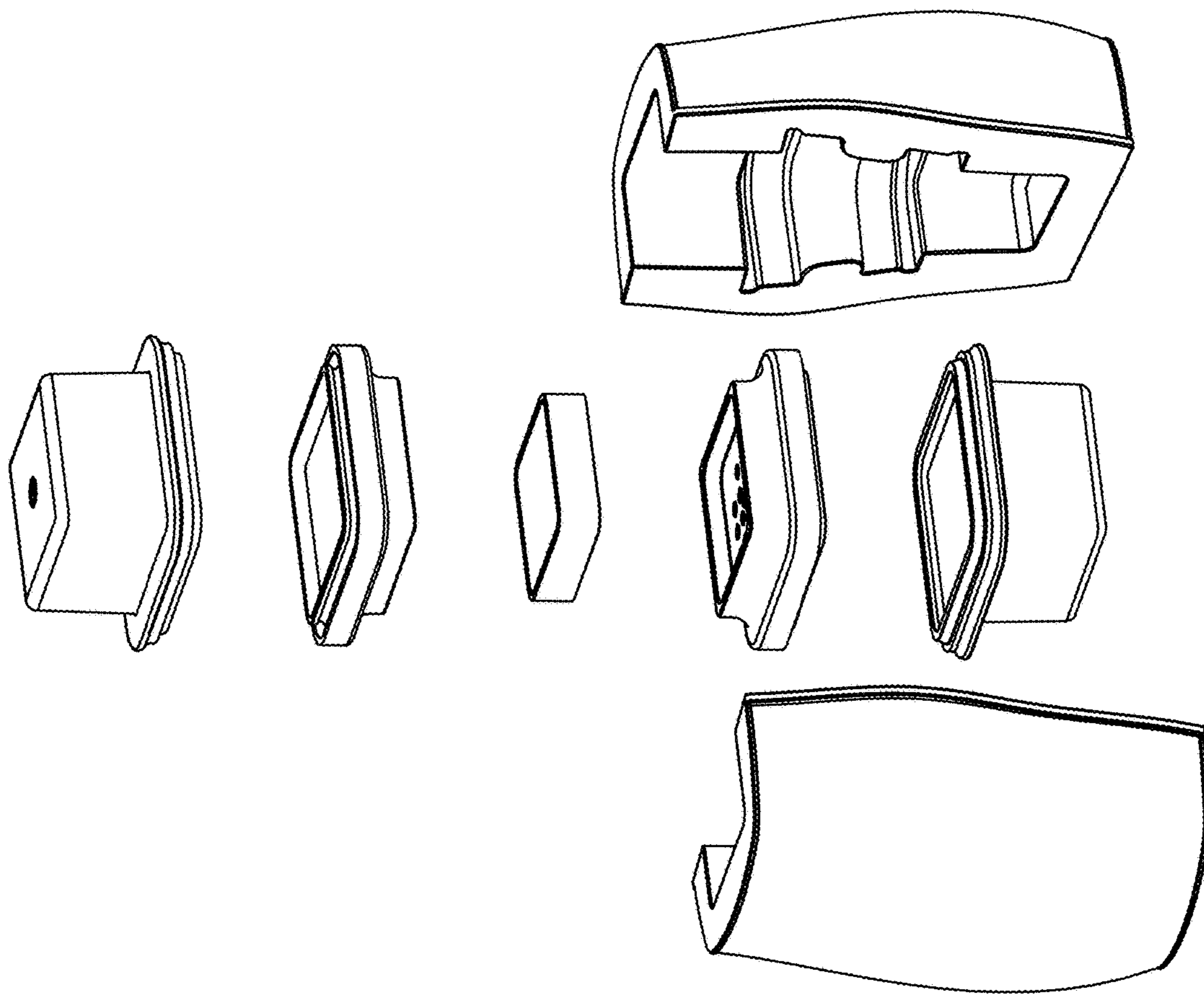


Fig. 12