



US00D803896S

(12) **United States Design Patent** (10) **Patent No.:** **US D803,896 S**  
**Jilbert et al.** (45) **Date of Patent:** **\*\* Nov. 28, 2017**

(54) **STEERING COLUMN**

(71) Applicant: **J.C. BAMFORD EXCAVATORS LIMITED**, Uttoxeter (GB)

(72) Inventors: **Samuel John Jilbert**, Uttoxeter (GB); **Thomas Edward Underhill**, Rocester (GB); **Samuel Payne**, Uttoxeter (GB)

(73) Assignee: **J.C. BAMFORD EXCAVATORS LIMITED**, Uttoxeter (GB)

(\*\*) Term: **15 Years**

(21) Appl. No.: **29/541,935**

(22) Filed: **Oct. 9, 2015**

(30) **Foreign Application Priority Data**

Apr. 10, 2015 (EM) ..... 001433304

(51) **LOC (10) Cl.** ..... **15-03**

(52) **U.S. Cl.**  
USPC ..... **D15/28; D12/177**

(58) **Field of Classification Search**  
USPC ..... D12/96, 99, 177, 415, 192, 174, 175;  
D15/14-17, 28; 296/70  
CPC ..... B60K 37/00; B60Y 2200/15; B60Y  
2200/22-2200/23; B60Y  
2200/221-2200/223  
See application file for complete search history.

(56) **References Cited**

**U.S. PATENT DOCUMENTS**

D378,584 S \* 3/1997 Sturges ..... D12/192  
D379,610 S \* 6/1997 Hellhake ..... D12/174

D389,491 S \* 1/1998 Wolf ..... D12/175  
D581,344 S \* 11/2008 Richter ..... D12/415  
D706,309 S \* 6/2014 Klein ..... D15/28  
D710,785 S \* 8/2014 Jacobsthal ..... D12/415  
D754,211 S \* 4/2016 Moore ..... D15/28  
D758,284 S \* 6/2016 Ringer ..... D12/415  
2013/0062904 A1 \* 3/2013 Elhardt ..... B60K 37/00  
296/70  
2016/0288819 A1 \* 10/2016 Uesaka ..... B62D 1/184

\* cited by examiner

*Primary Examiner* — Cynthia Ramirez

*Assistant Examiner* — Andrew Kerr

(74) *Attorney, Agent, or Firm* — Marshall, Gerstein & Borun LLP

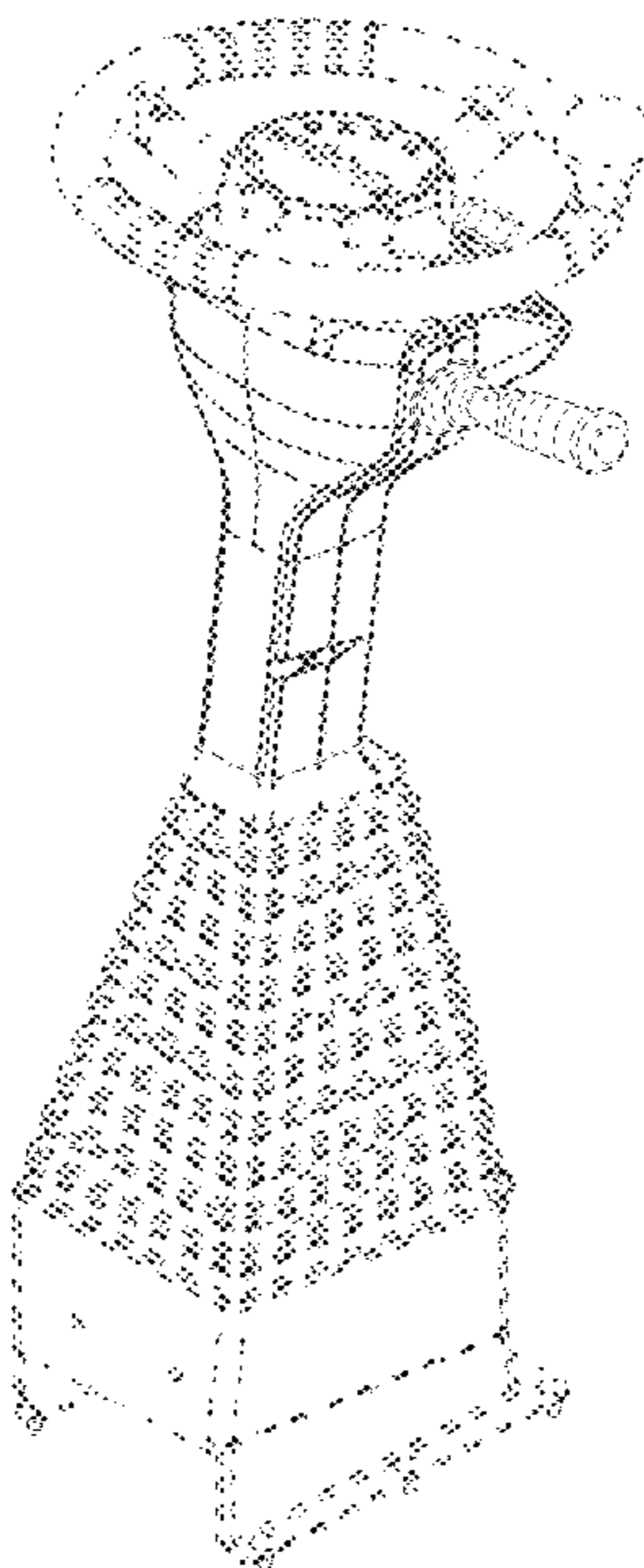
(57) **CLAIM**

The ornamental design for a steering column, as shown and described.

**DESCRIPTION**

FIG. 1 is a front, top, and right-side view of a steering column showing the new design.  
FIG. 2 is a front elevation view.  
FIG. 3 is a right-side elevation view.  
FIG. 4 is a left-side elevation view.  
FIG. 5 is a rear elevation view.  
FIG. 6 is a top plan view; and,  
FIG. 7 is a rear, left-side, and top view.  
The broken lines show environmental structure that forms no part of the claimed design.

**1 Claim, 7 Drawing Sheets**



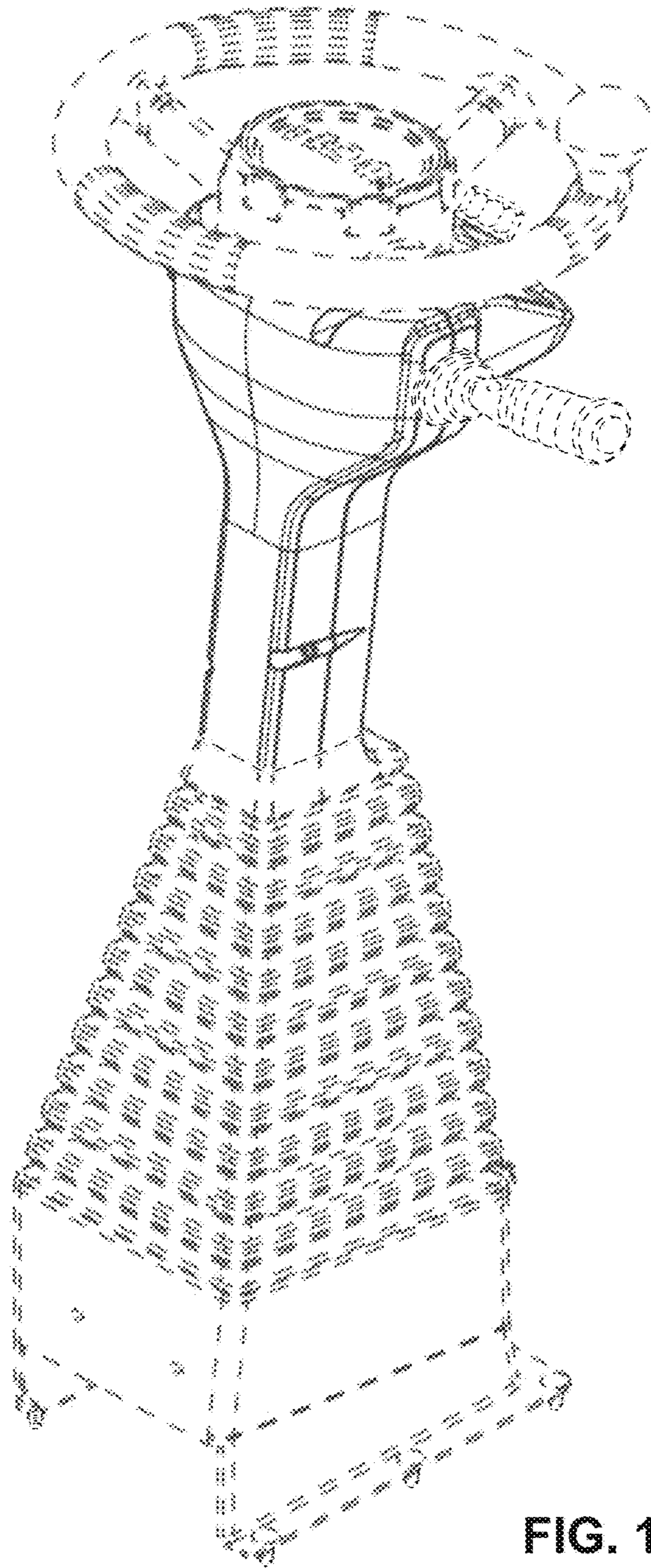


FIG. 1

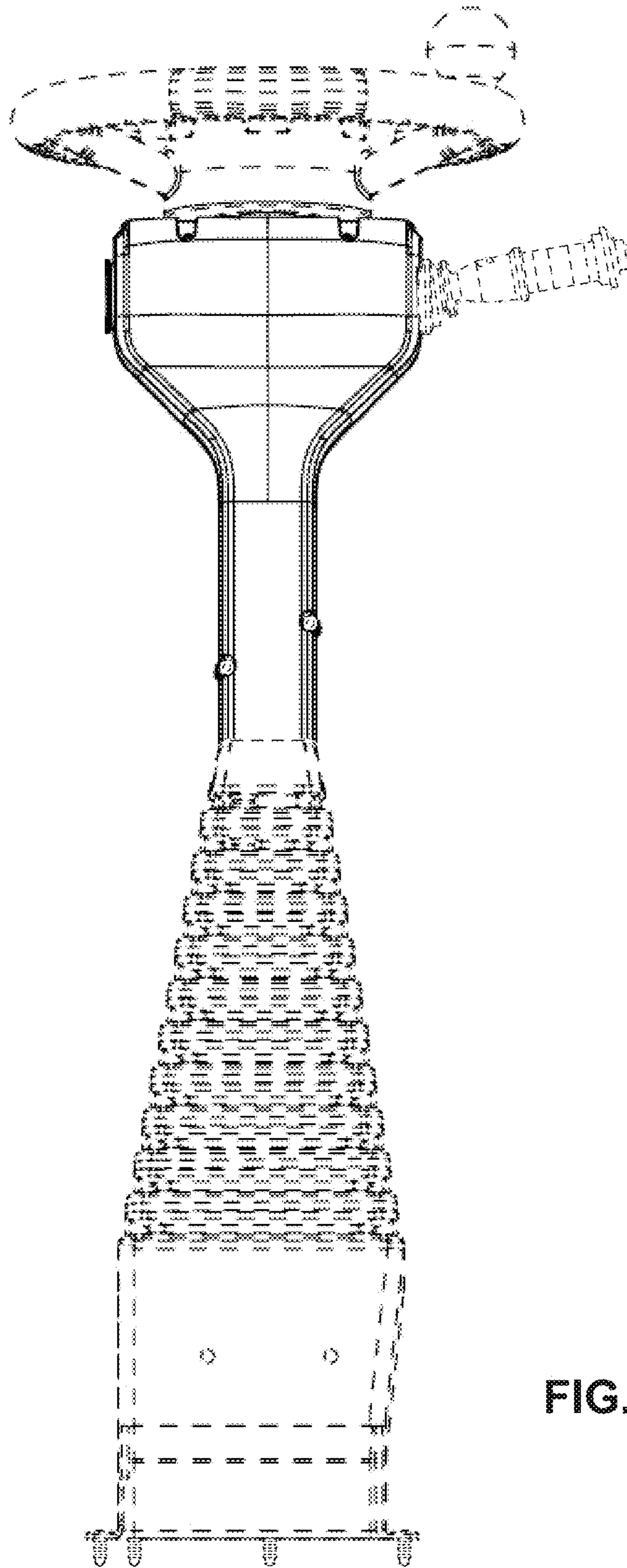


FIG. 2

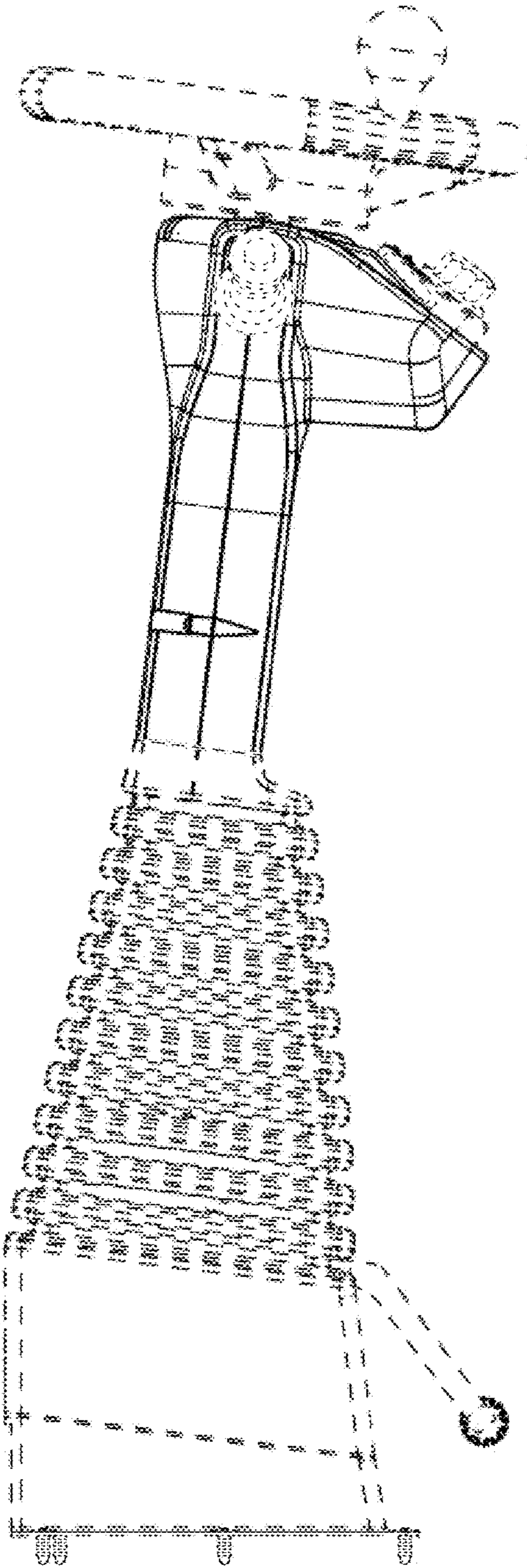


FIG. 3

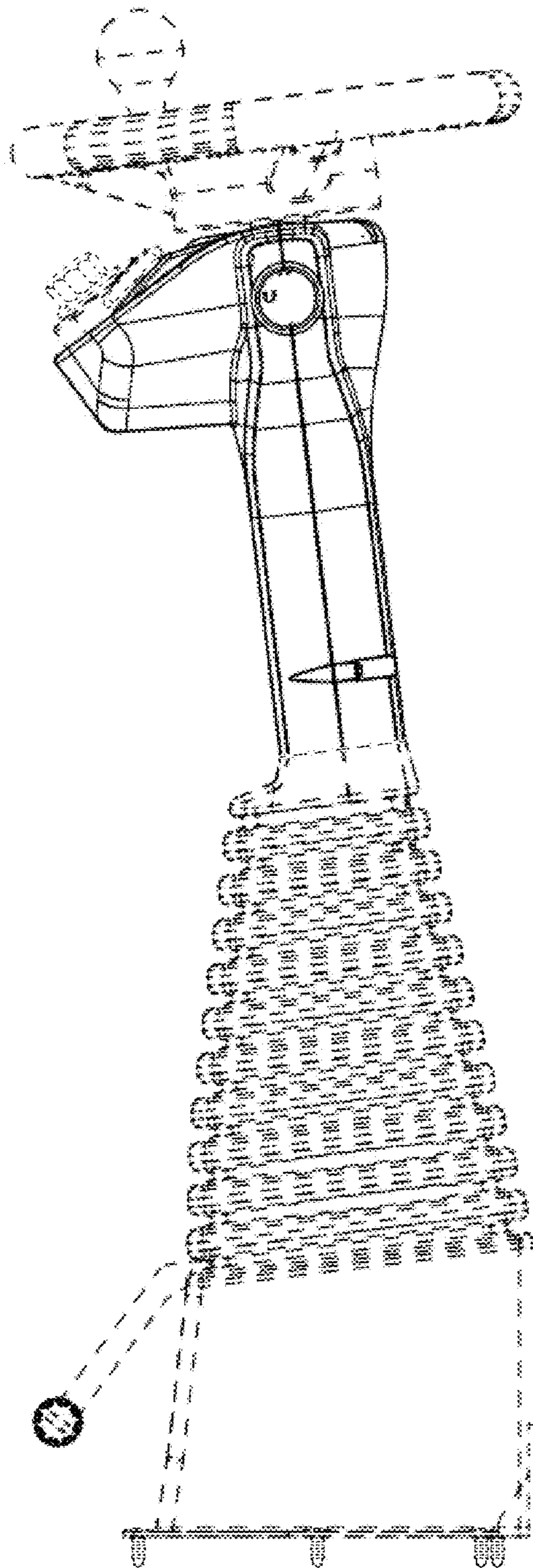


FIG. 4

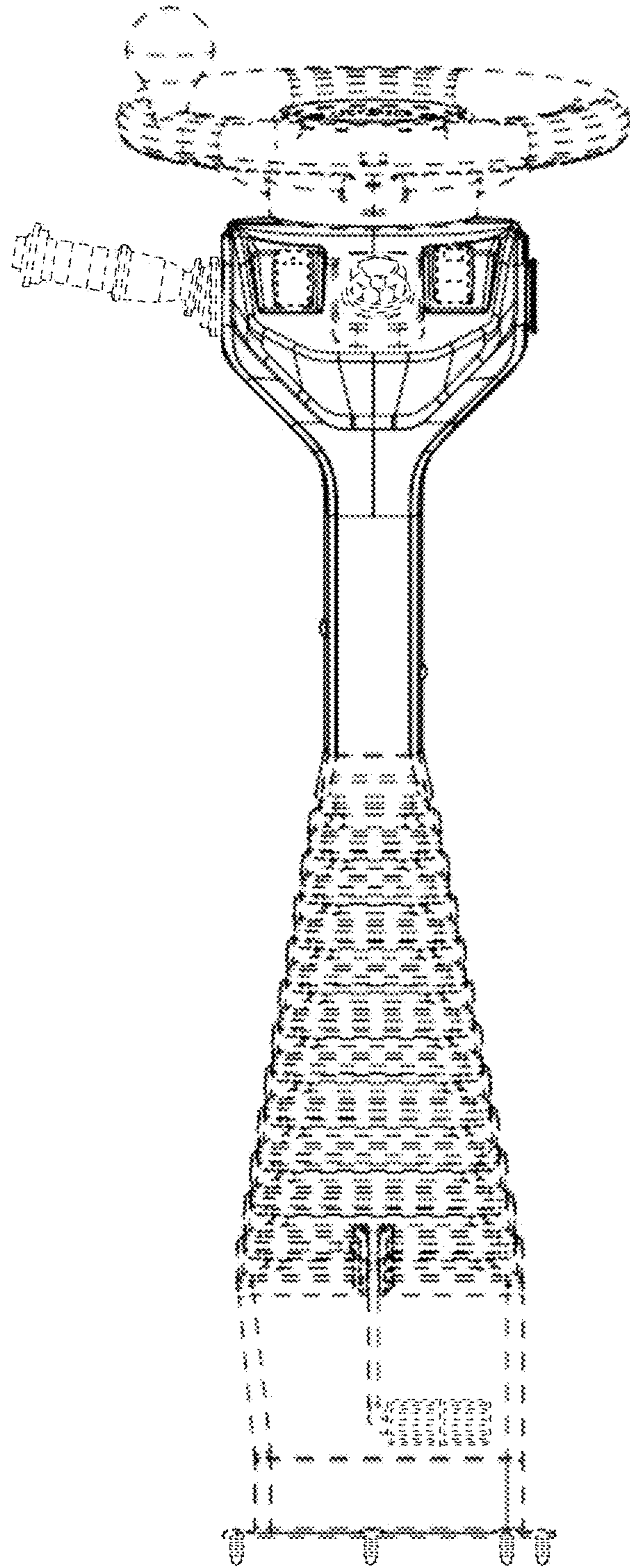


FIG. 5

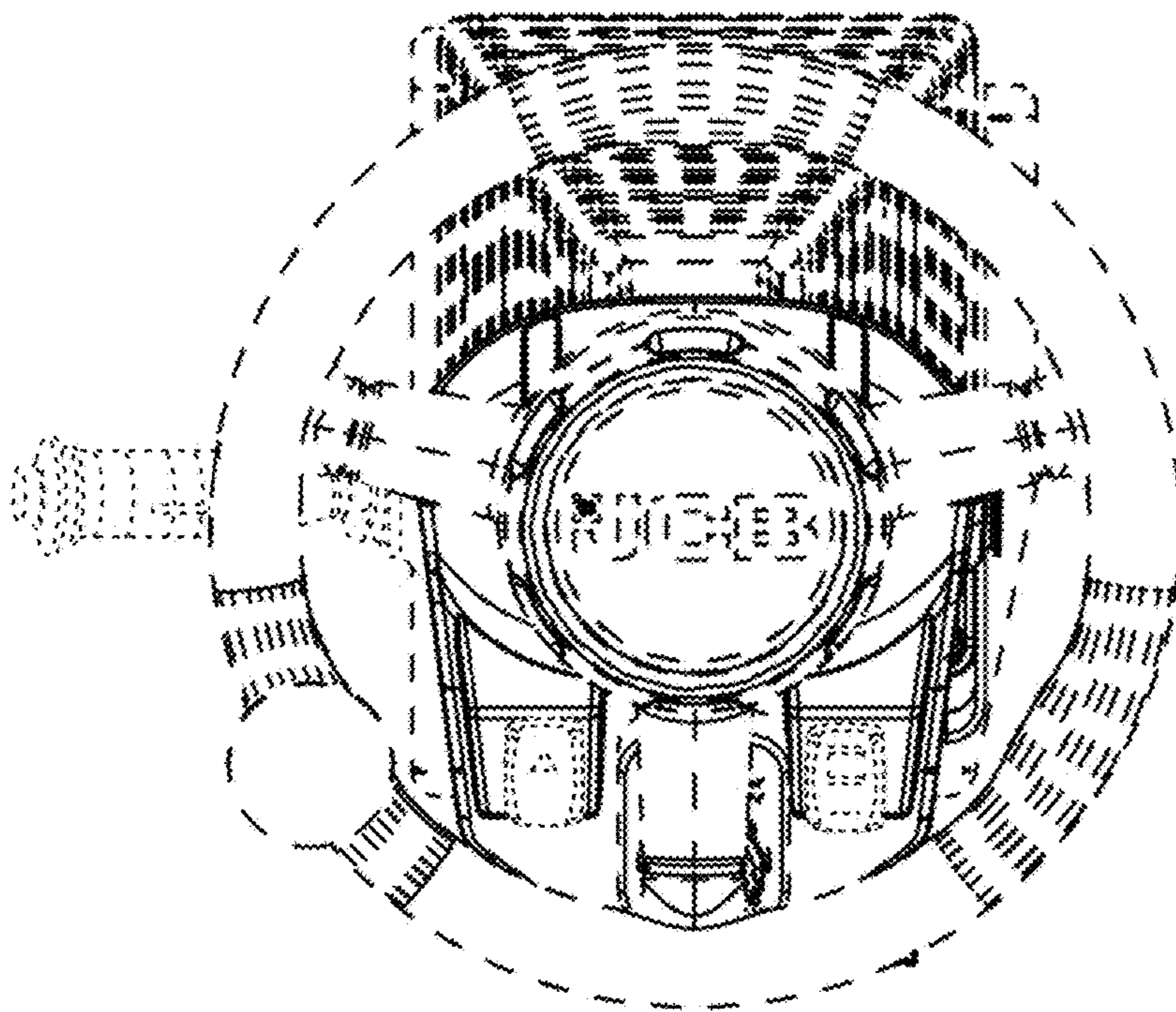


FIG. 6

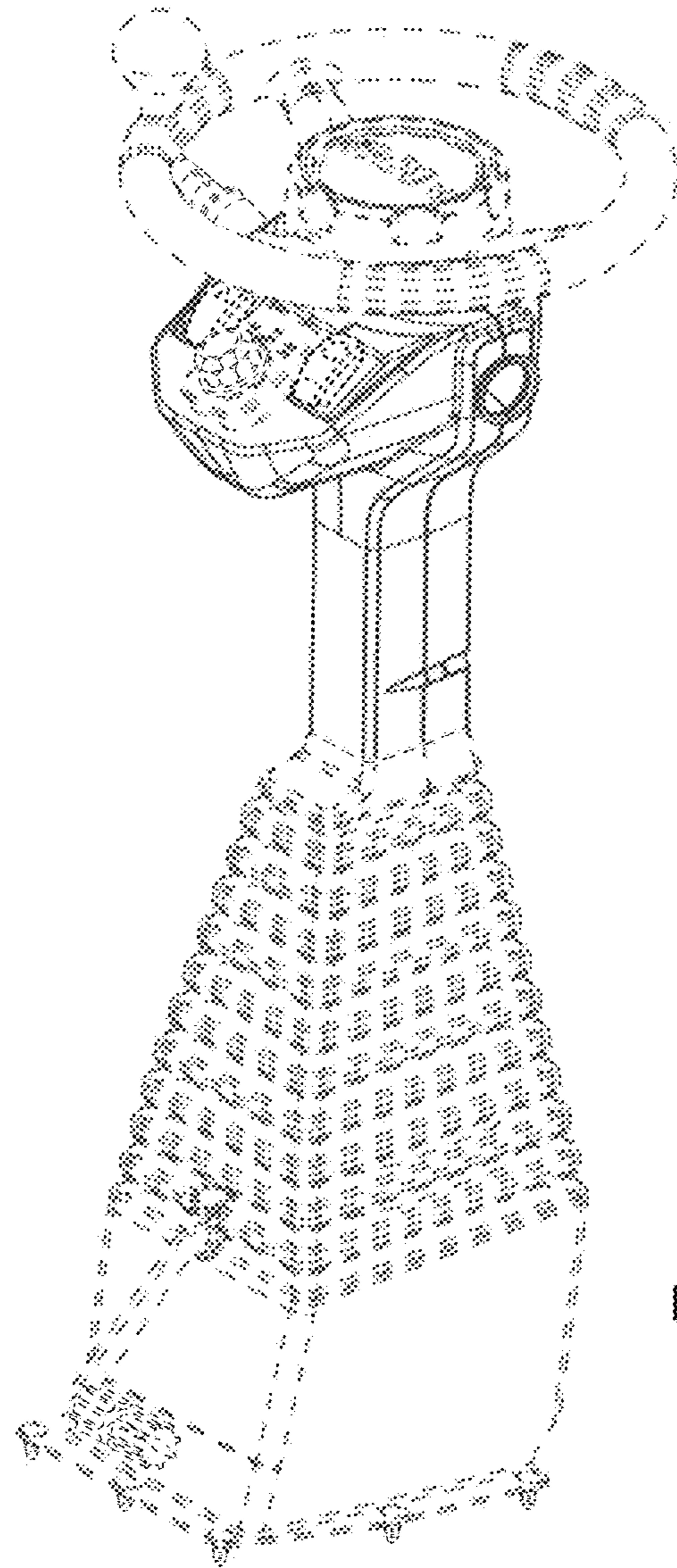


FIG. 7