



US00D803895S

(12) **United States Design Patent** (10) **Patent No.:** **US D803,895 S**
Sigwarth et al. (45) **Date of Patent:** **** Nov. 28, 2017**

(54) **ROTARY SCREW COMPRESSOR**

(71) Applicant: **Mi-T-M Corporation**, Peosta, IA (US)

(72) Inventors: **Jerry Sigwarth**, Holy Cross, IA (US);
Rich Zurcher, Scales Mound, IL (US)

(73) Assignee: **Mi-T-M Corporation**, Peosta, IA (US)

(**) Term: **15 Years**

(21) Appl. No.: **29/549,116**

(22) Filed: **Dec. 18, 2015**

(51) **LOC (10) Cl.** **15-02**

(52) **U.S. Cl.**
USPC **D15/9**

(58) **Field of Classification Search**
USPC D15/7-9; D23/231, 232, 225; 417/60,
417/235, 265, 321, 355, 358, 363, 359,
417/410.1, 415-416, 405, 900, 269, 539;
60/408, 412; 184/26-37; 415/140-147;
123/495, 509; 137/565.34
CPC F02M 37/04; F02M 37/14; F04B 53/92;
F04B 1/005; F04B 35/06; F04C 28/125;
F04C 15/0061; F04C 2/086
See application file for complete search history.

6,406,281 B1 * 6/2002 Aggradi F04C 15/0061
418/201.1

D565,602 S * 4/2008 Van Bosstraeten D15/9

D574,859 S * 8/2008 Hernandez D15/9

D589,059 S * 3/2009 Pagotto D15/7

7,862,315 B2 * 1/2011 Rohlfig F04C 2/086
418/201.1

D657,393 S * 4/2012 Pauwels D15/9

D657,799 S * 4/2012 Jung D15/7

D658,209 S * 4/2012 Pauwels D15/9

D658,210 S * 4/2012 Pauwels D15/9

D662,516 S * 6/2012 Pellin D15/7

D662,517 S * 6/2012 Hawkins D15/9

D691,639 S * 10/2013 Hirai D15/7

D733,189 S * 6/2015 Irick D15/7

D749,138 S * 2/2016 Martinez Sanudo D15/7

* cited by examiner

Primary Examiner — Ralf Seifert
(74) *Attorney, Agent, or Firm* — McKee, Voorhees & Sease, PLC

(57) **CLAIM**
The ornamental design for a rotary screw compressor.

DESCRIPTION

FIG. 1 is a perspective view of the embodiment thereof;
FIG. 2 is a back view of the embodiment thereof;
FIG. 3 is a front view of the embodiment thereof,
FIG. 4 is a right side view of the embodiment thereof,
FIG. 5 is a left side view of the embodiment thereof,
FIG. 6 is a top view of the embodiment thereof; and,
FIG. 7 is a bottom view of the embodiment thereof.
The broken line showing of elements shown throughout the drawings is included for the purpose of illustrating non-claimed environmental matter and forms no part of the claimed design.

1 Claim, 7 Drawing Sheets

(56) **References Cited**
U.S. PATENT DOCUMENTS

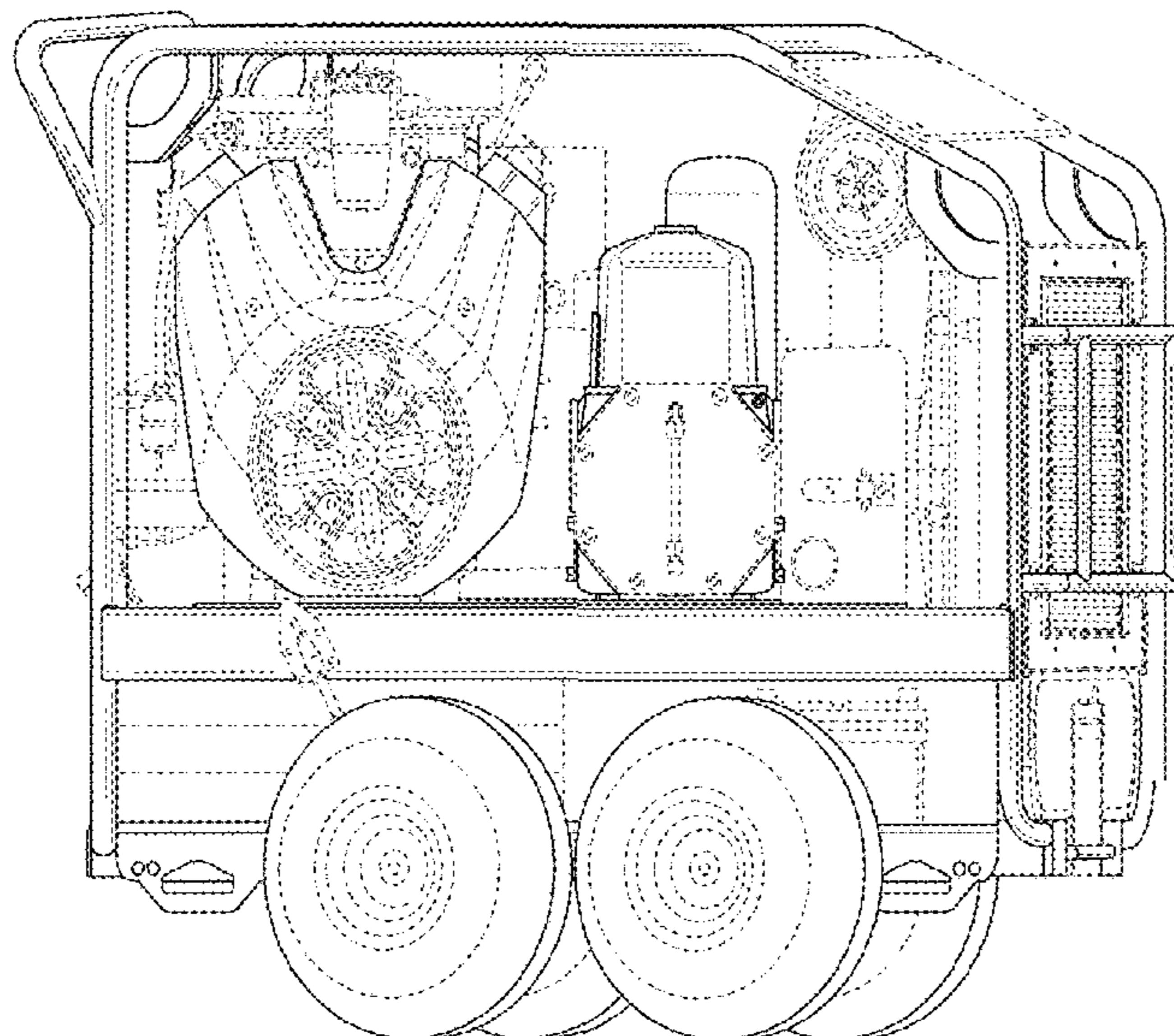
3,869,227 A * 3/1975 Kocher F04C 28/125
418/15

4,077,747 A * 3/1978 Burenga F04B 35/06
417/234

D249,265 S * 9/1978 Nanjo D15/9

D387,778 S * 12/1997 Goodman D15/9

D450,061 S * 11/2001 Graber D15/9



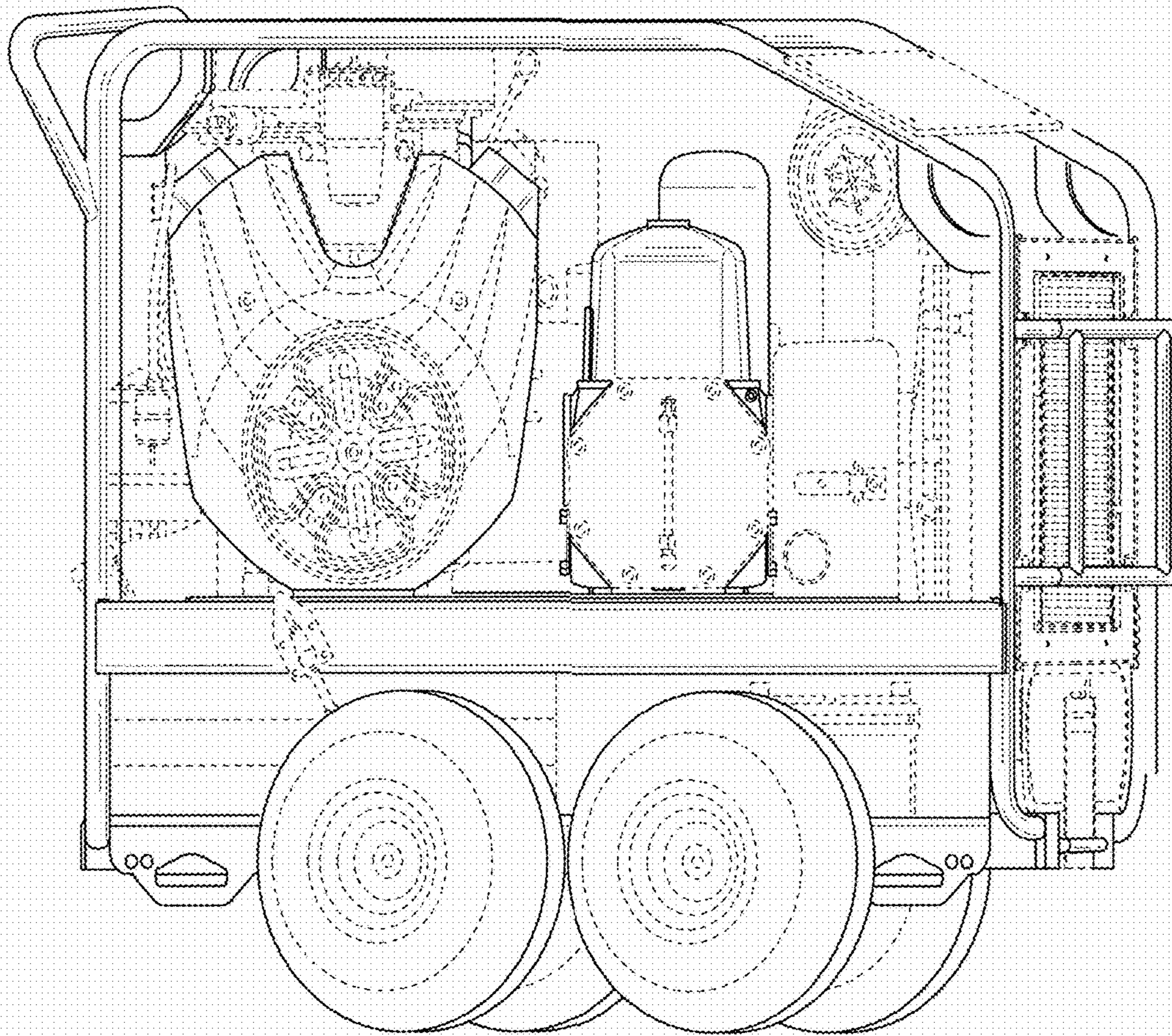


FIG. 1

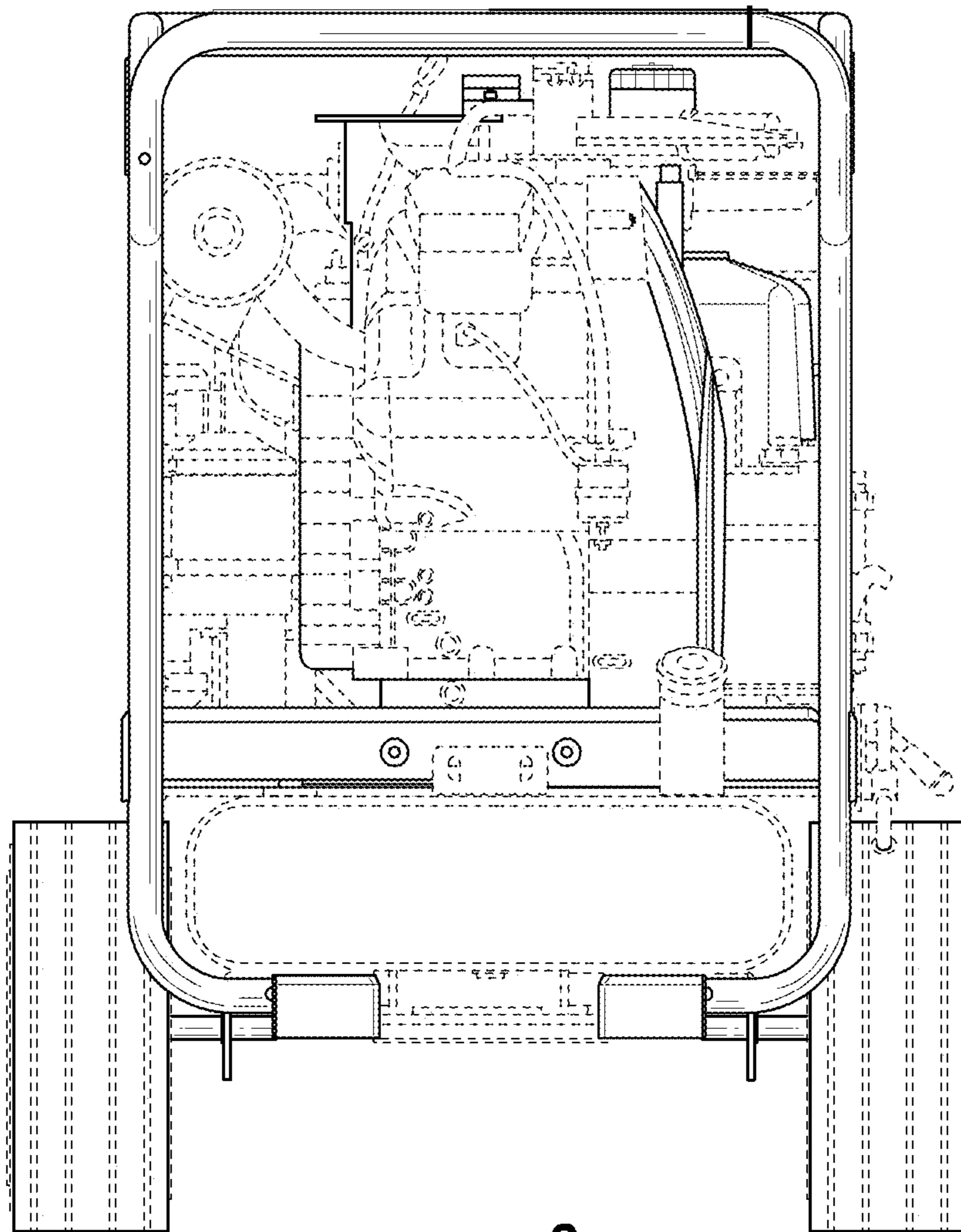


FIG. 2

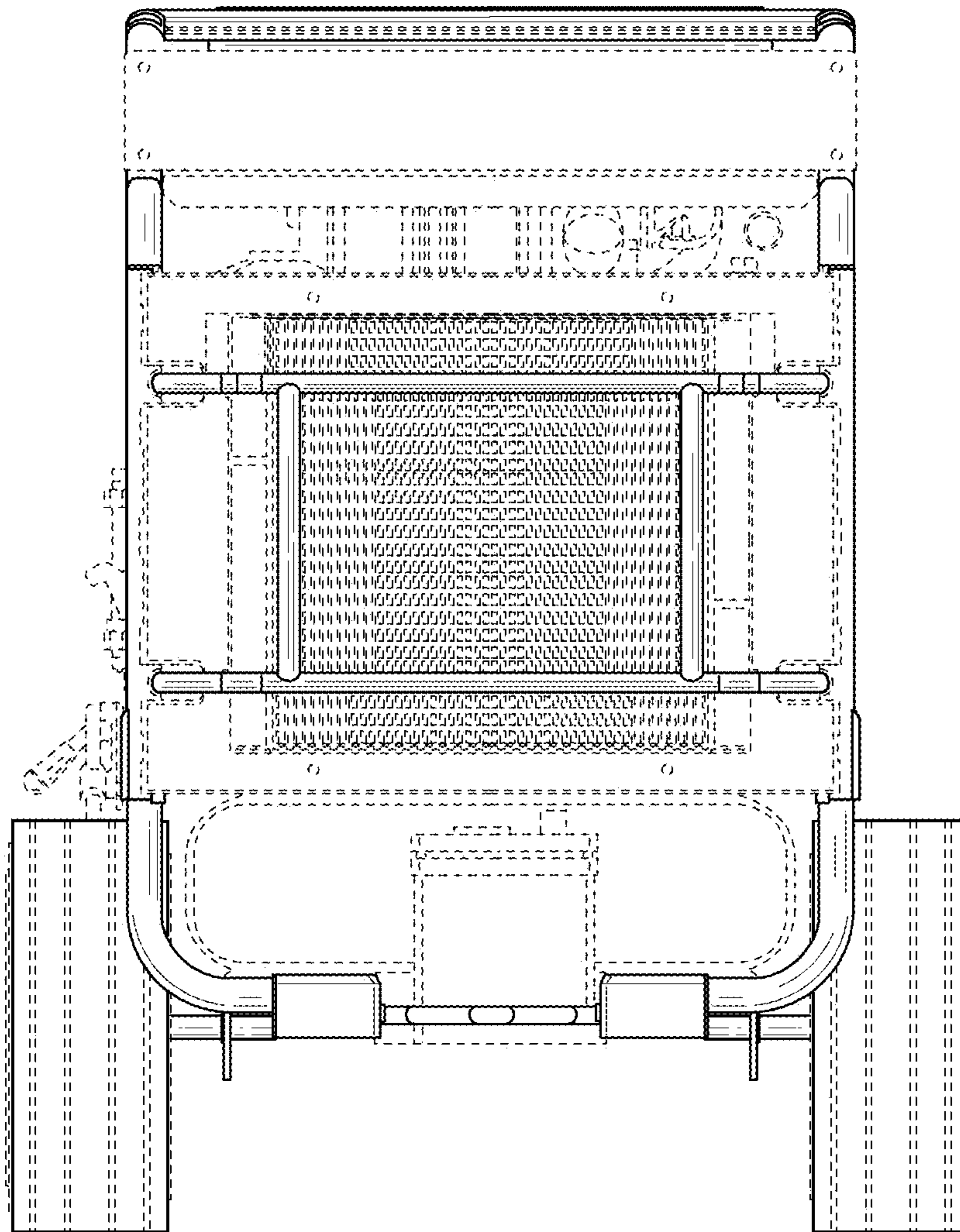


FIG. 3

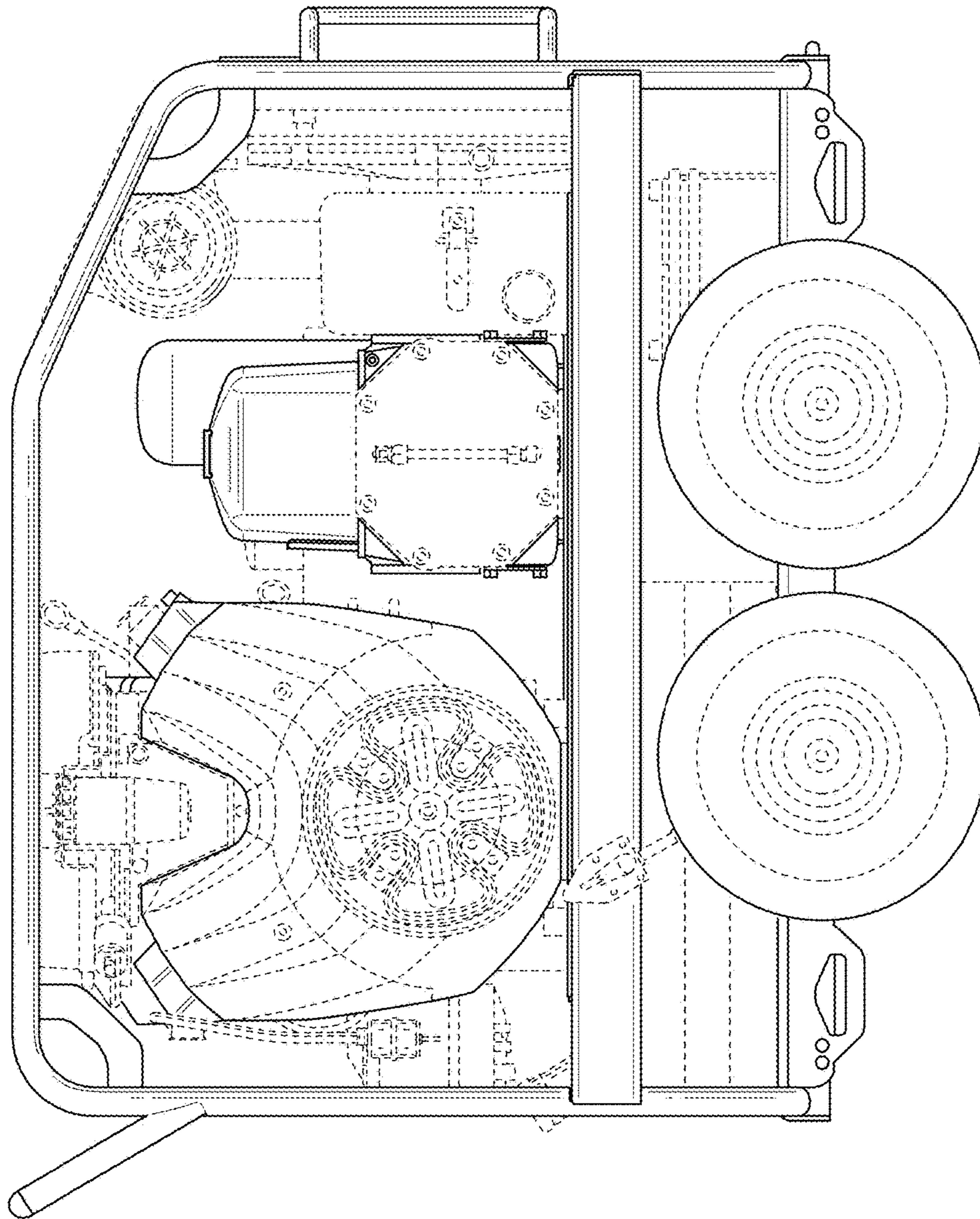


FIG. 4

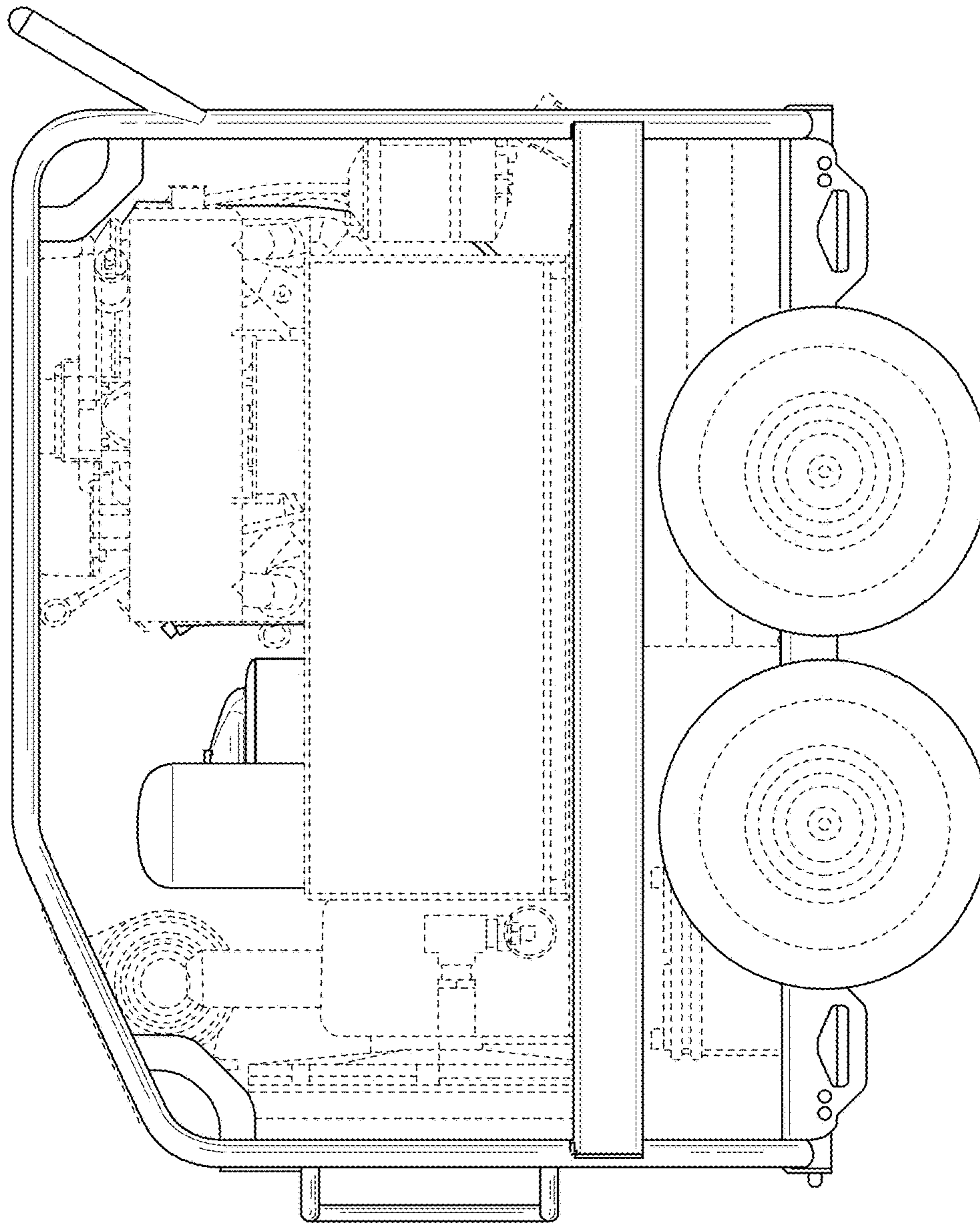


FIG. 5

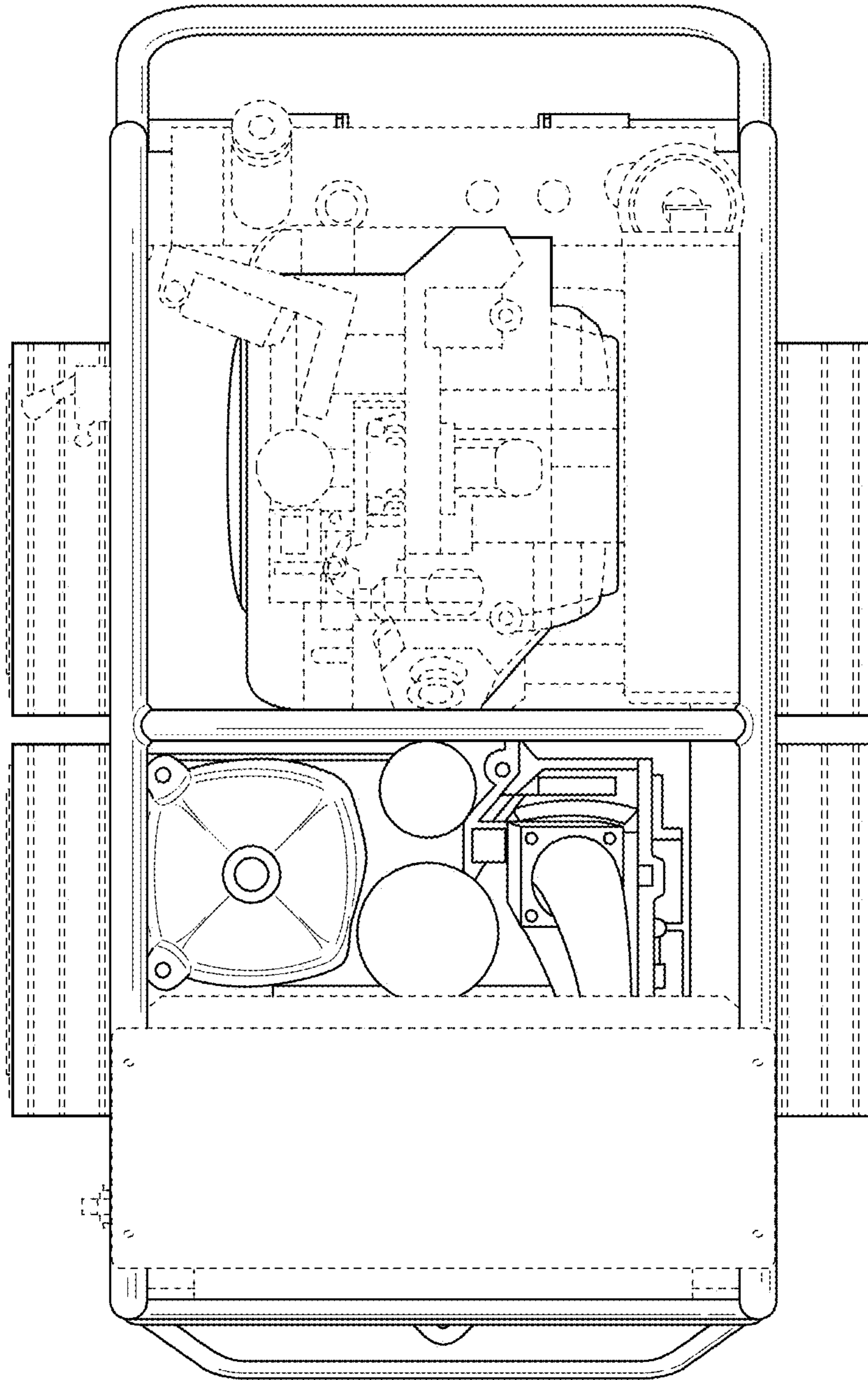


FIG. 6

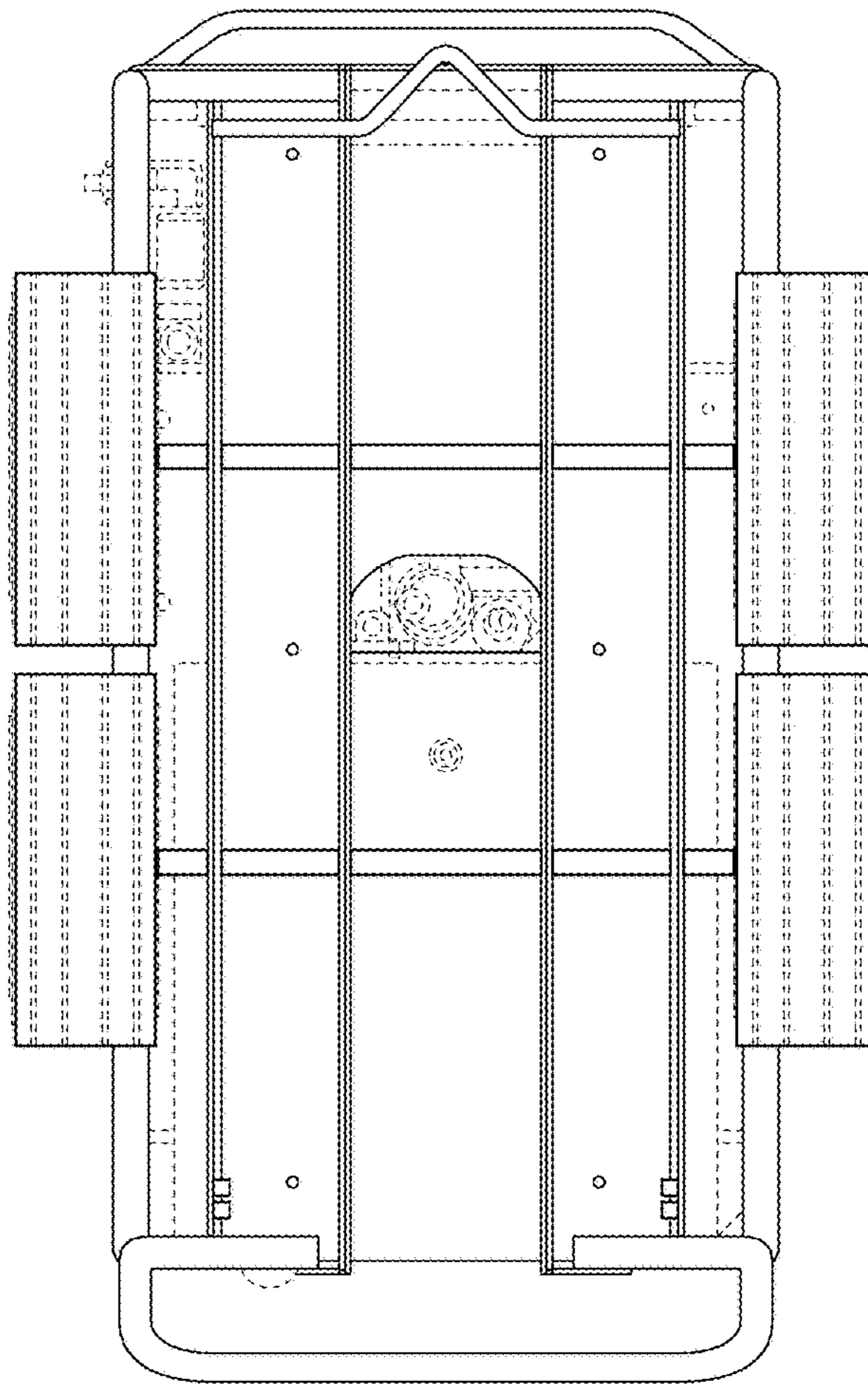


FIG. 7