

US00D803894S

(12) **United States Design Patent** (10) **Patent No.:** **US D803,894 S**
Kennedy et al. (45) **Date of Patent:** **** Nov. 28, 2017**

(54) **PUMP**

(71) Applicant: **SAGE PRODUCTS, LLC**, Cary, IL (US)
(72) Inventors: **Jeffrey A. Kennedy**, Algonquin, IL (US); **Ryan A. Alvarez**, Crystal Lake, IL (US)

6,467,106 B1 10/2002 Heimbrock
6,698,041 B2 3/2004 VanSteenburg et al.
6,701,544 B2 3/2004 Heimbrock
6,820,292 B2 11/2004 Heimbrock
6,898,809 B2 5/2005 Davis
7,028,350 B1 4/2006 Davis

(Continued)

(73) Assignee: **Sage Products, LLC**, Cary, IL (US)

(**) Term: **15 Years**

(21) Appl. No.: **29/572,144**

(22) Filed: **Jul. 25, 2016**

(51) **LOC (10) Cl.** **15-02**

(52) **U.S. Cl.**
USPC **D15/7**

(58) **Field of Classification Search**
USPC D15/7-9; D23/231, 232, 225; 417/60, 417/235, 265, 321, 355, 358, 363, 359, 417/410.1, 415-416, 405, 900, 269, 539; 60/408, 412; 184/26-37; 415/140-147; 123/495, 509; 137/565.34
CPC F02M 37/04; F02M 37/14; F04B 53/92; F04B 1/005

See application file for complete search history.

(56) **References Cited**

U.S. PATENT DOCUMENTS

4,627,426 A 12/1986 Wegener et al.
5,067,189 A 11/1991 Weedling et al.
D328,602 S * 8/1992 Peterson D15/7
D339,143 S * 9/1993 Whitley, II D15/7
5,561,873 A 10/1996 Weedling
5,742,958 A 4/1998 Solazzo
D395,317 S * 6/1998 Karlsson D15/7
D420,011 S * 2/2000 Tsai D15/7
6,073,291 A 6/2000 Davis
D445,804 S * 7/2001 Tsai D15/7
6,374,435 B1 4/2002 Leininger et al.

FOREIGN PATENT DOCUMENTS

WO WO-2015/081271 6/2015

Primary Examiner — Ralf Seifert

(74) *Attorney, Agent, or Firm* — Foley & Lardner LLP

(57) **CLAIM**

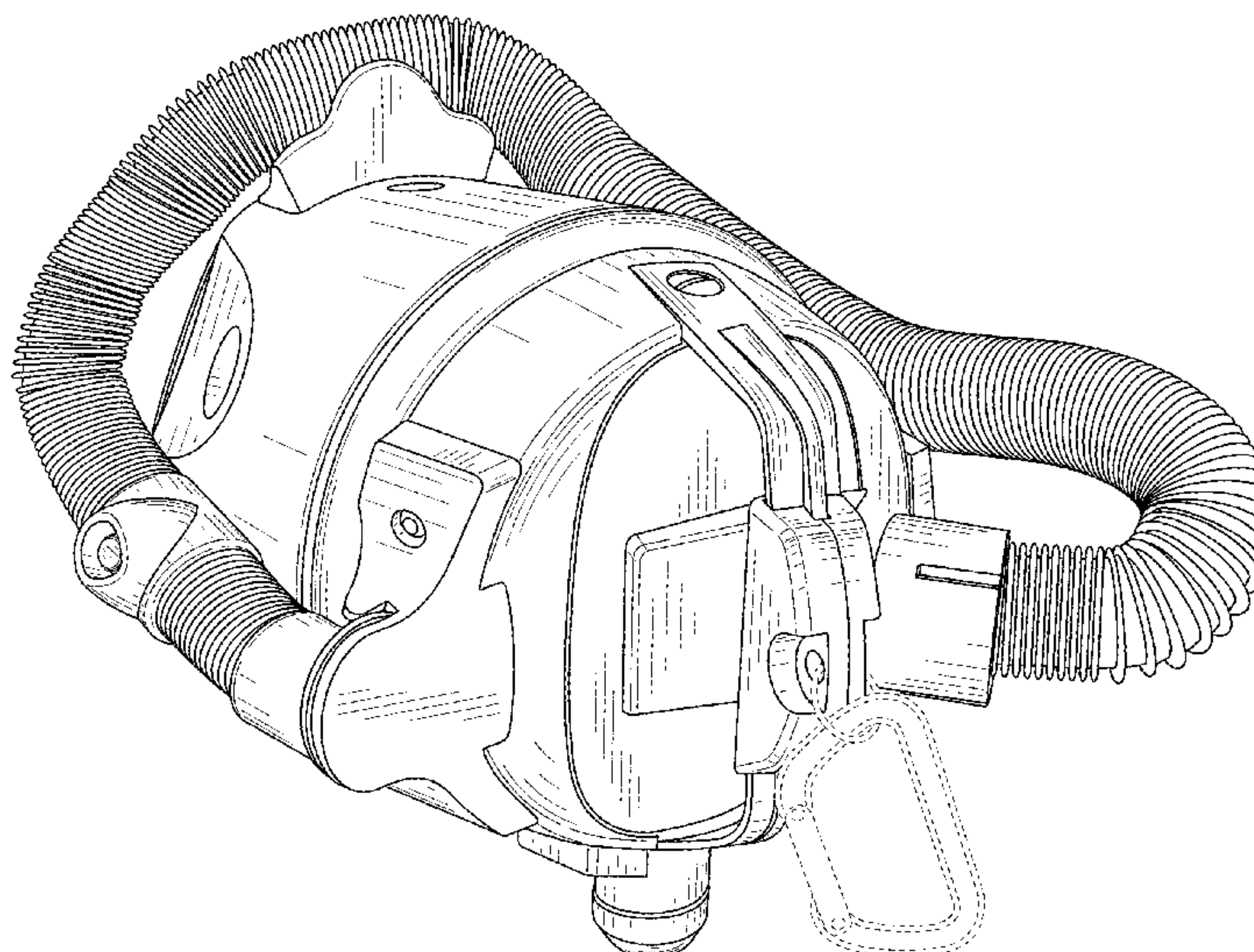
The ornamental design for a pump, as shown and described.

DESCRIPTION

FIG. 1 is a top, front, left perspective view of a pump showing our new design;
FIG. 2 is a front view thereof;
FIG. 3 is a rear view thereof;
FIG. 4 is a left side view thereof;
FIG. 5 is a right side view thereof;
FIG. 6 is a top view thereof;
FIG. 7 is a bottom view thereof;
FIG. 8 is an enlarged top, front, left perspective view of a portion of the pump in FIGS. 1-7, shown in isolation;
FIG. 9 is front view of FIG. 8;
FIG. 10 is a rear view of FIG. 8;
FIG. 11 is a top view of FIG. 8;
FIG. 12 is a bottom view of FIG. 8;
FIG. 13 is a left view of FIG. 8; and,
FIG. 14 is a right view of FIG. 8.

The broken lines immediately adjacent to the shaded area represent unclaimed boundaries of the design. The broken lines showing the remainder of the pump represent unclaimed subject matter and form no part of the claimed design.

1 Claim, 11 Drawing Sheets



(56)

References Cited

U.S. PATENT DOCUMENTS

7,032,261	B2	4/2006	Heimbrock	
7,107,641	B2	9/2006	Davis	
7,114,204	B2	10/2006	Patrick	
7,131,154	B2	11/2006	Davis et al.	
7,168,115	B2	1/2007	Davis	
7,210,176	B2	5/2007	Weedling et al.	
7,243,382	B2	7/2007	Weedling et al.	
7,266,852	B2	9/2007	Davis	
7,340,785	B2	3/2008	Weedling et al.	
7,373,680	B2	5/2008	Davis	
7,376,995	B2	5/2008	Davis	
7,406,723	B2	8/2008	Davis	
7,415,738	B2	8/2008	Weedling et al.	
7,467,431	B2	12/2008	Weedling et al.	
7,565,709	B2	7/2009	Davis	
7,574,761	B2	8/2009	Davis	
7,591,029	B2	9/2009	Weedling et al.	
7,627,910	B2	12/2009	Davis	
7,681,262	B2	3/2010	Weedling et al.	
7,712,170	B2	5/2010	Davis	
7,735,164	B1	6/2010	Patrick	
7,739,758	B2	6/2010	Weedling et al.	
7,900,299	B2	3/2011	Weedling et al.	
D649,164	S *	11/2011	Cook	D15/7
8,234,727	B2	8/2012	Schreiber et al.	
8,276,222	B1	10/2012	Patrick	
8,387,177	B2	3/2013	Davis	
8,413,277	B2	4/2013	Davis et al.	
8,566,977	B2	10/2013	Davis	
D708,648	S *	7/2014	Orsini	D15/7
2012/0124752	A1	5/2012	Patrick	
2014/0082836	A1	3/2014	Patrick et al.	

* cited by examiner

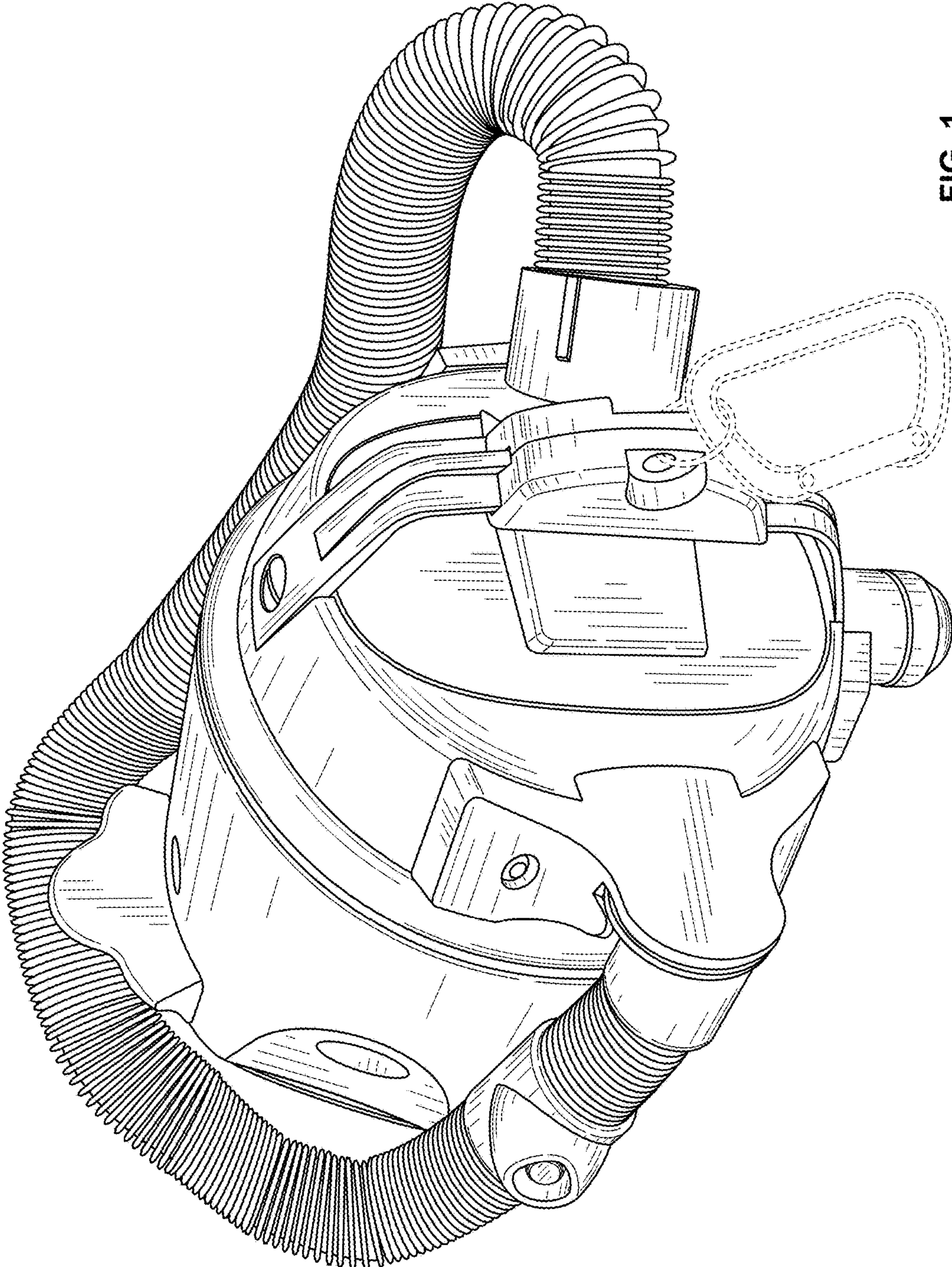


FIG. 1

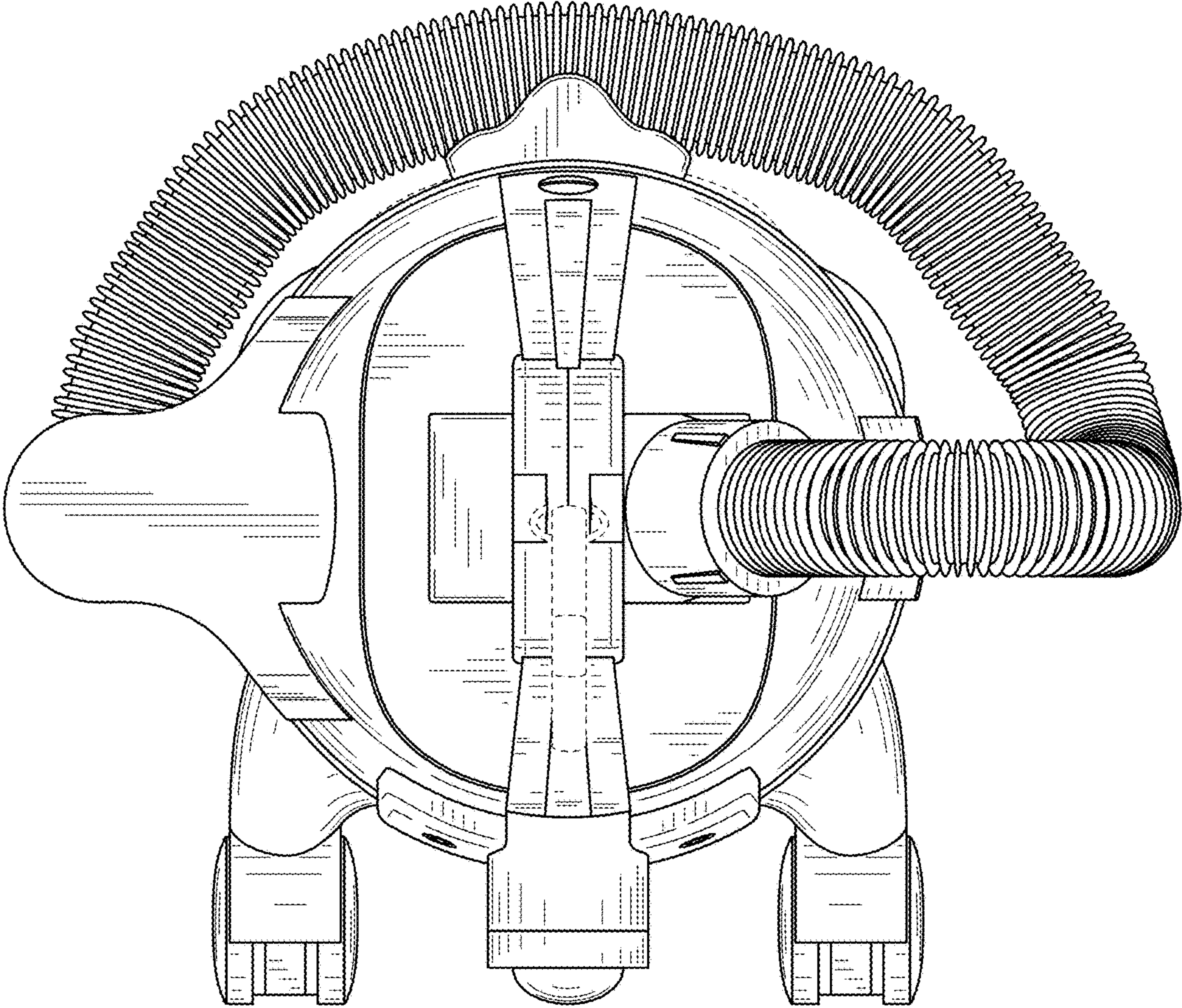


FIG. 2

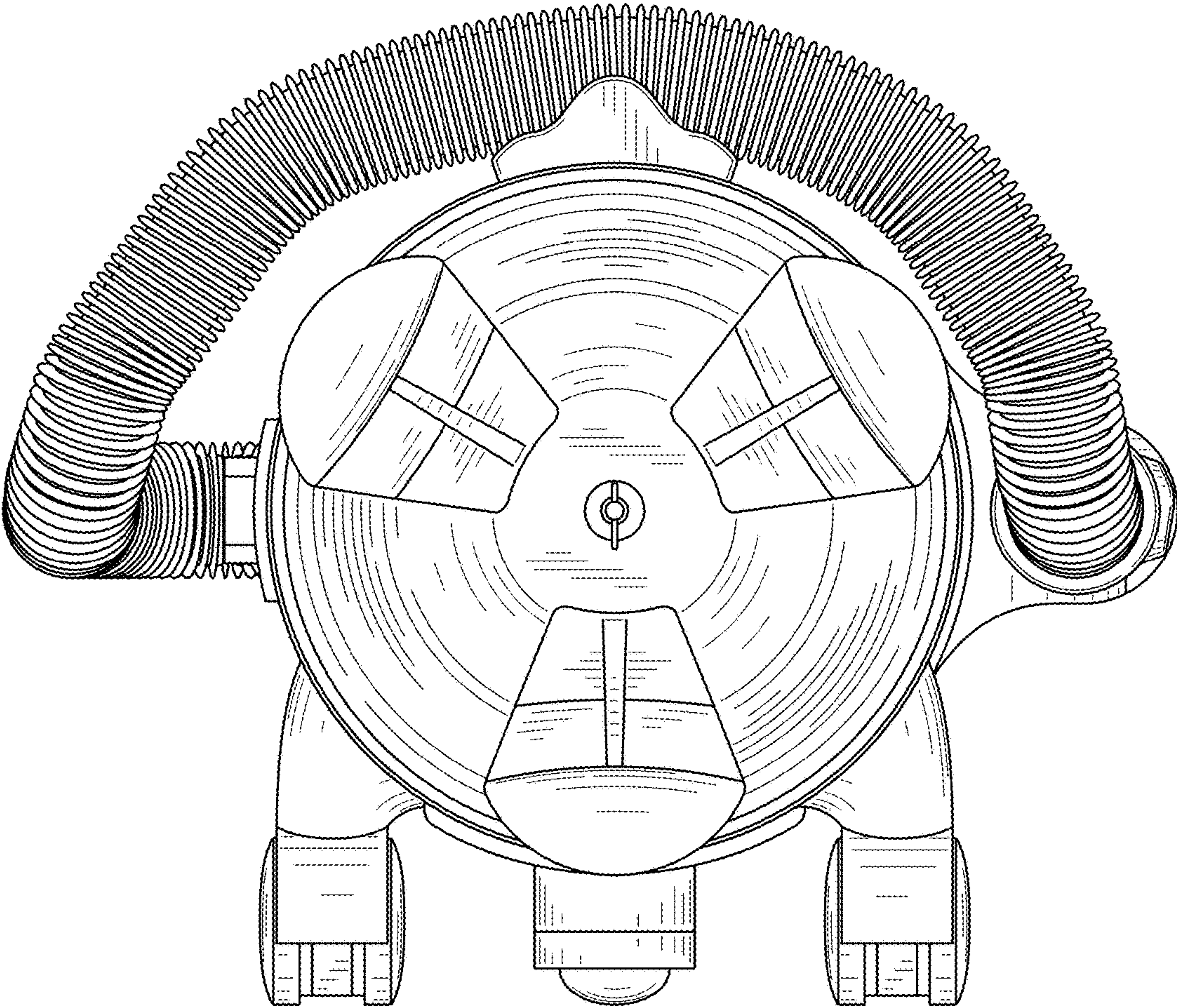


FIG. 3

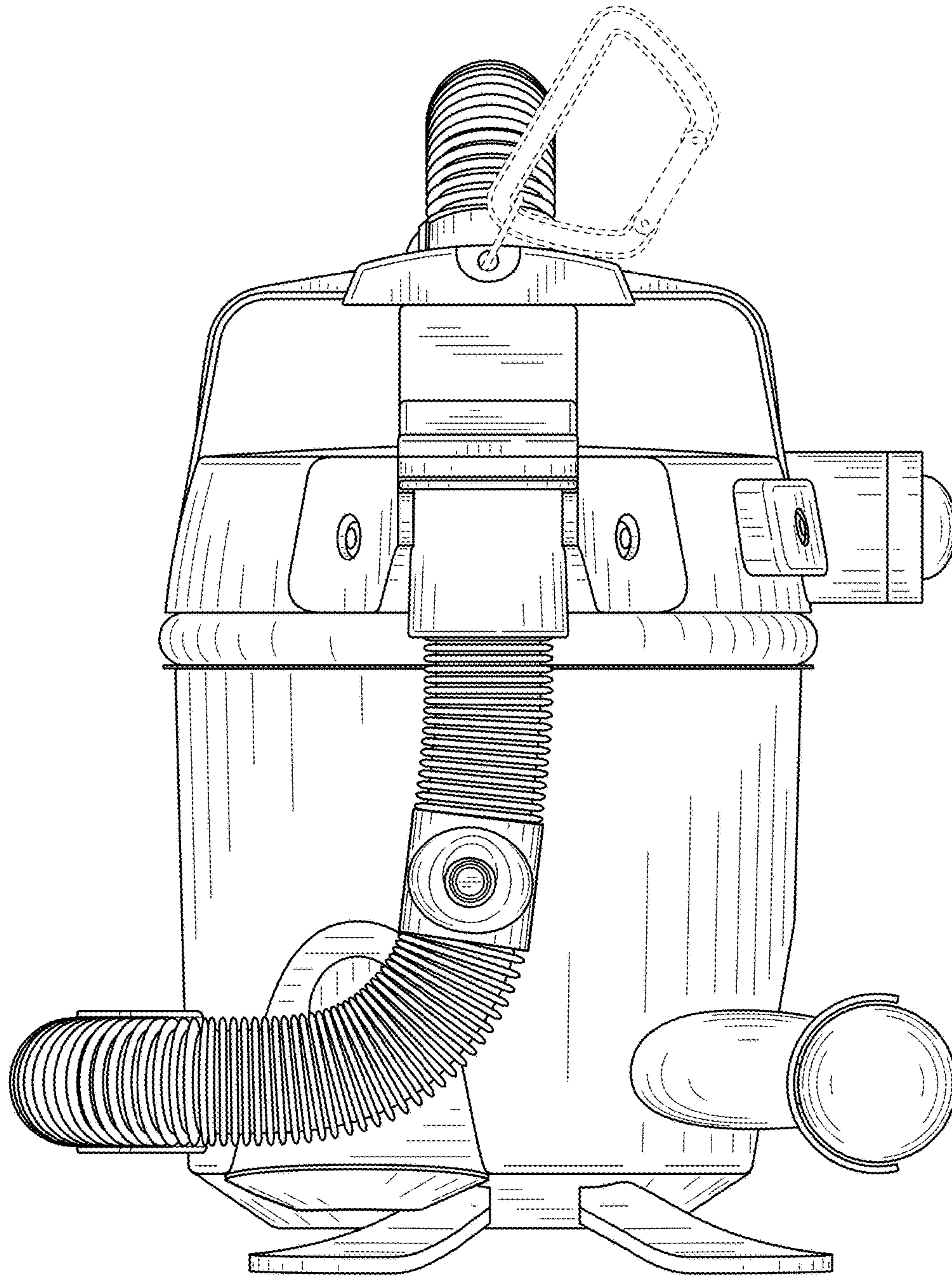


FIG. 4

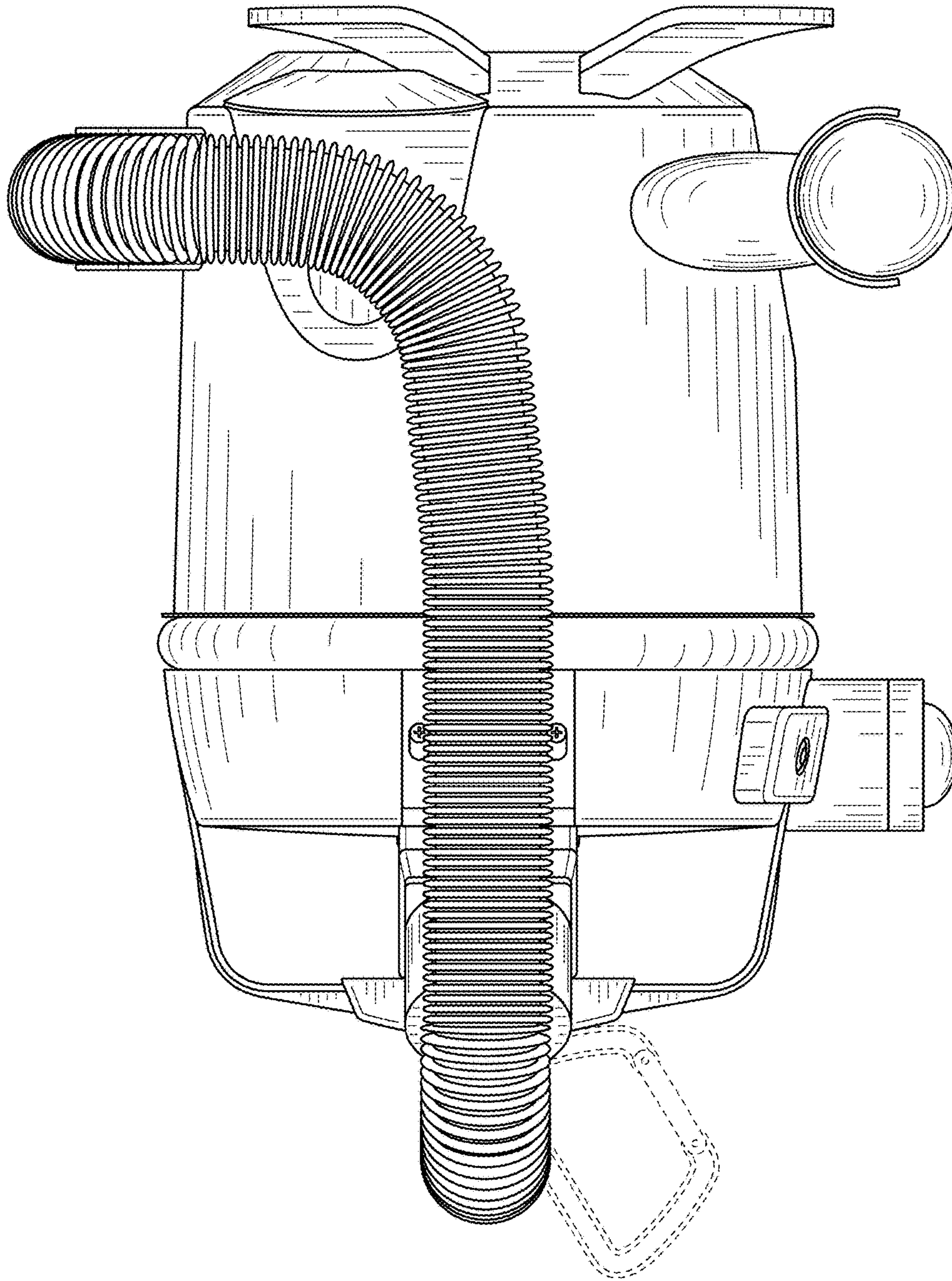


FIG. 5

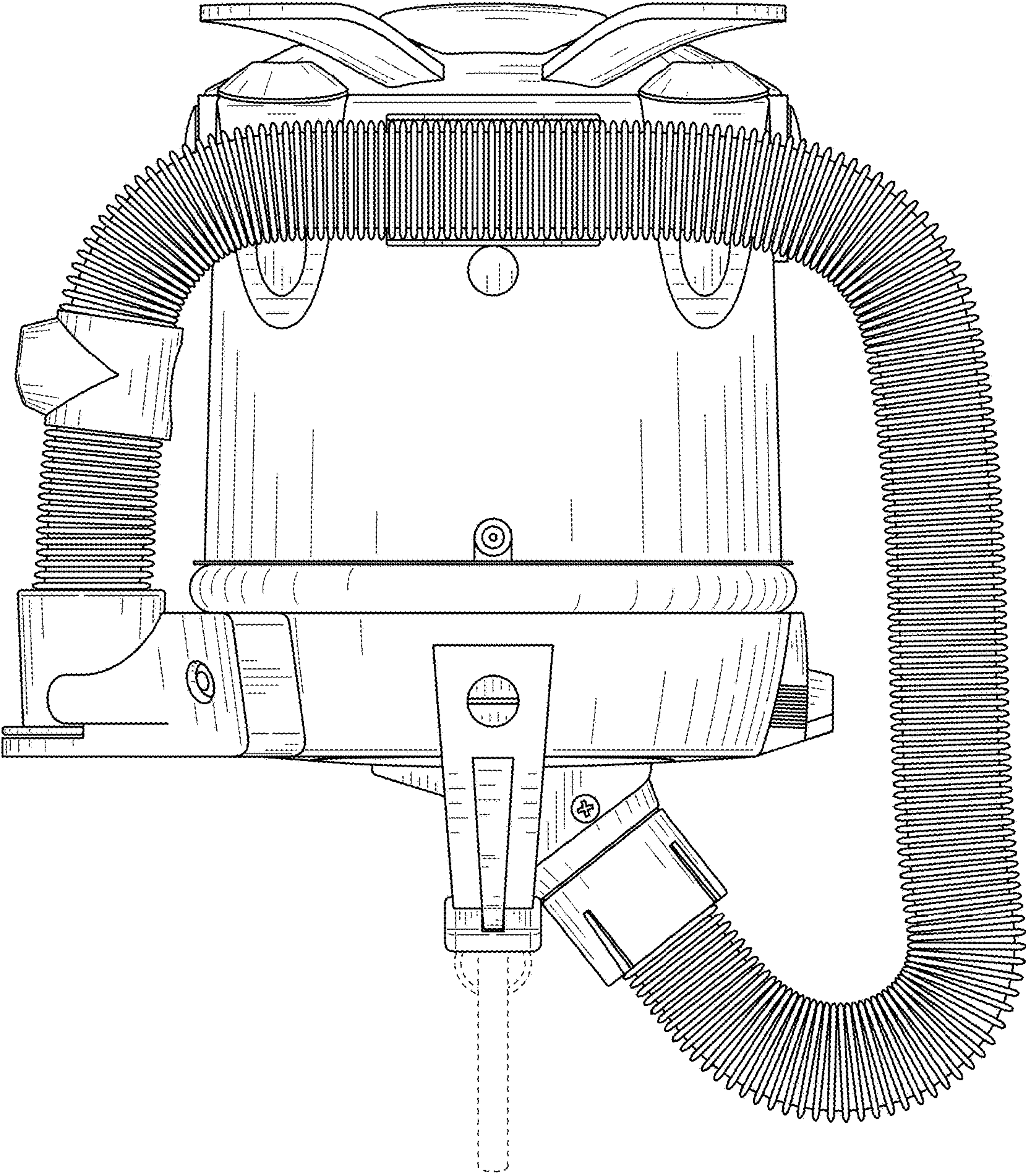


FIG. 6

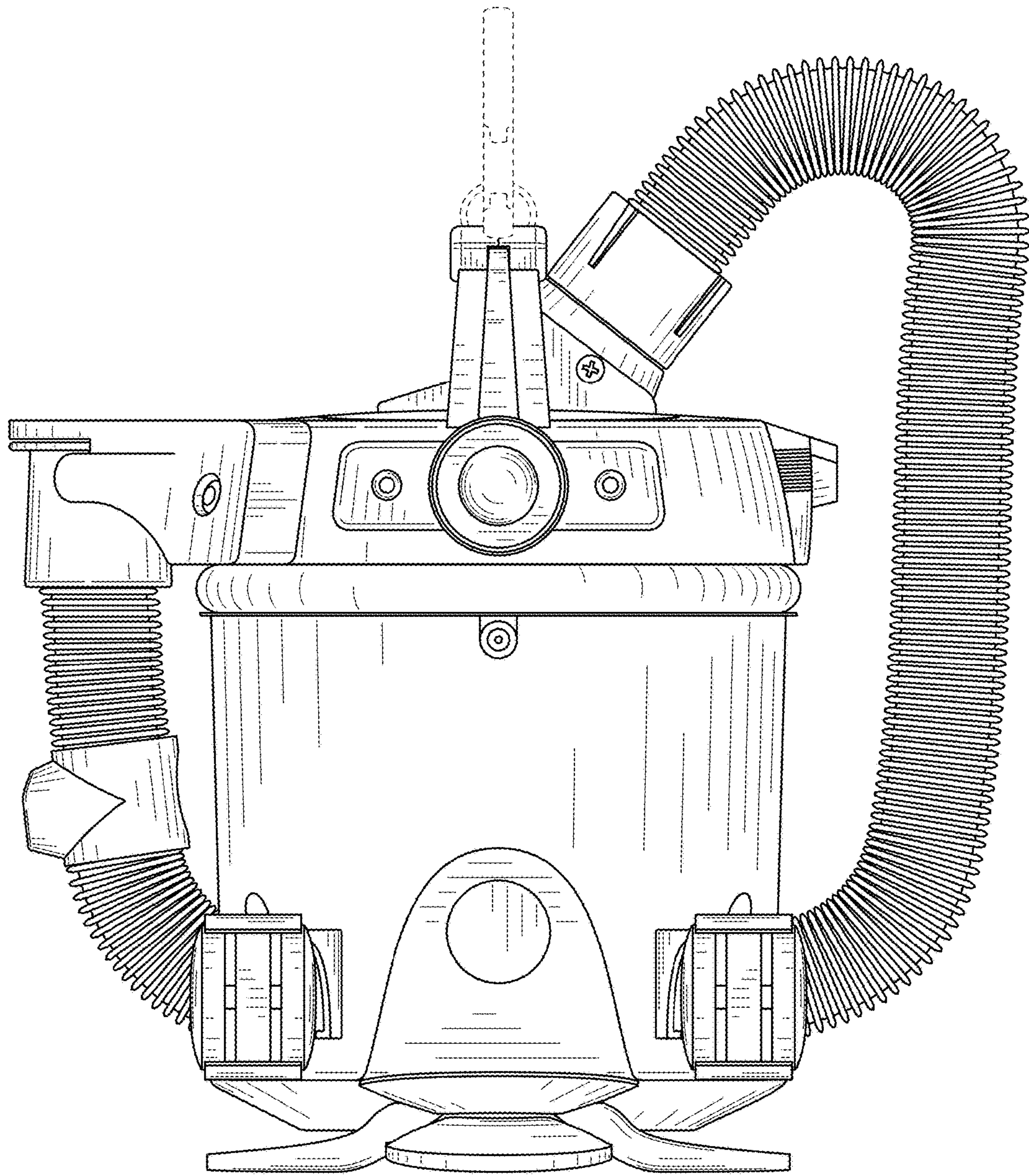


FIG. 7

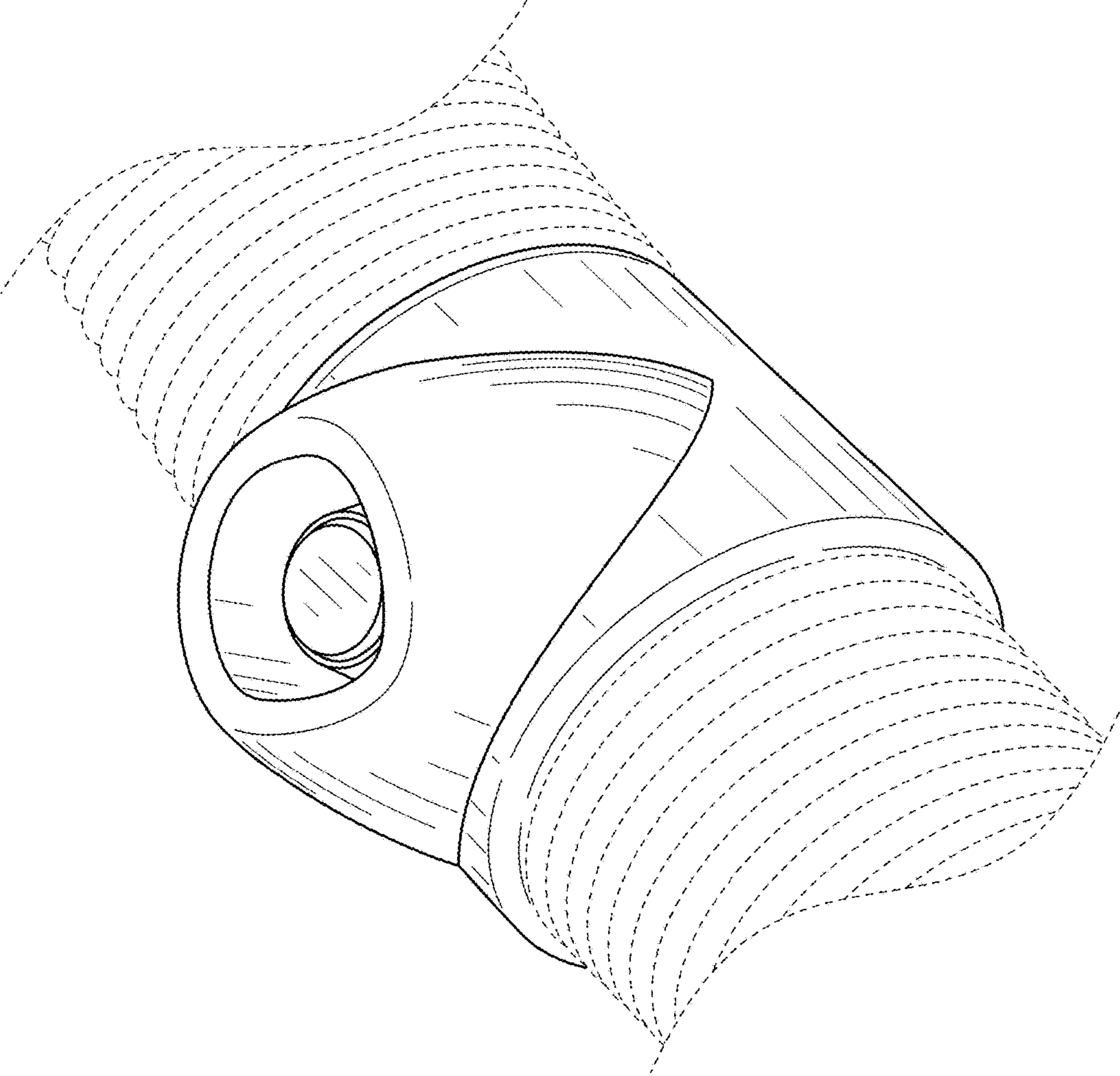


FIG. 8

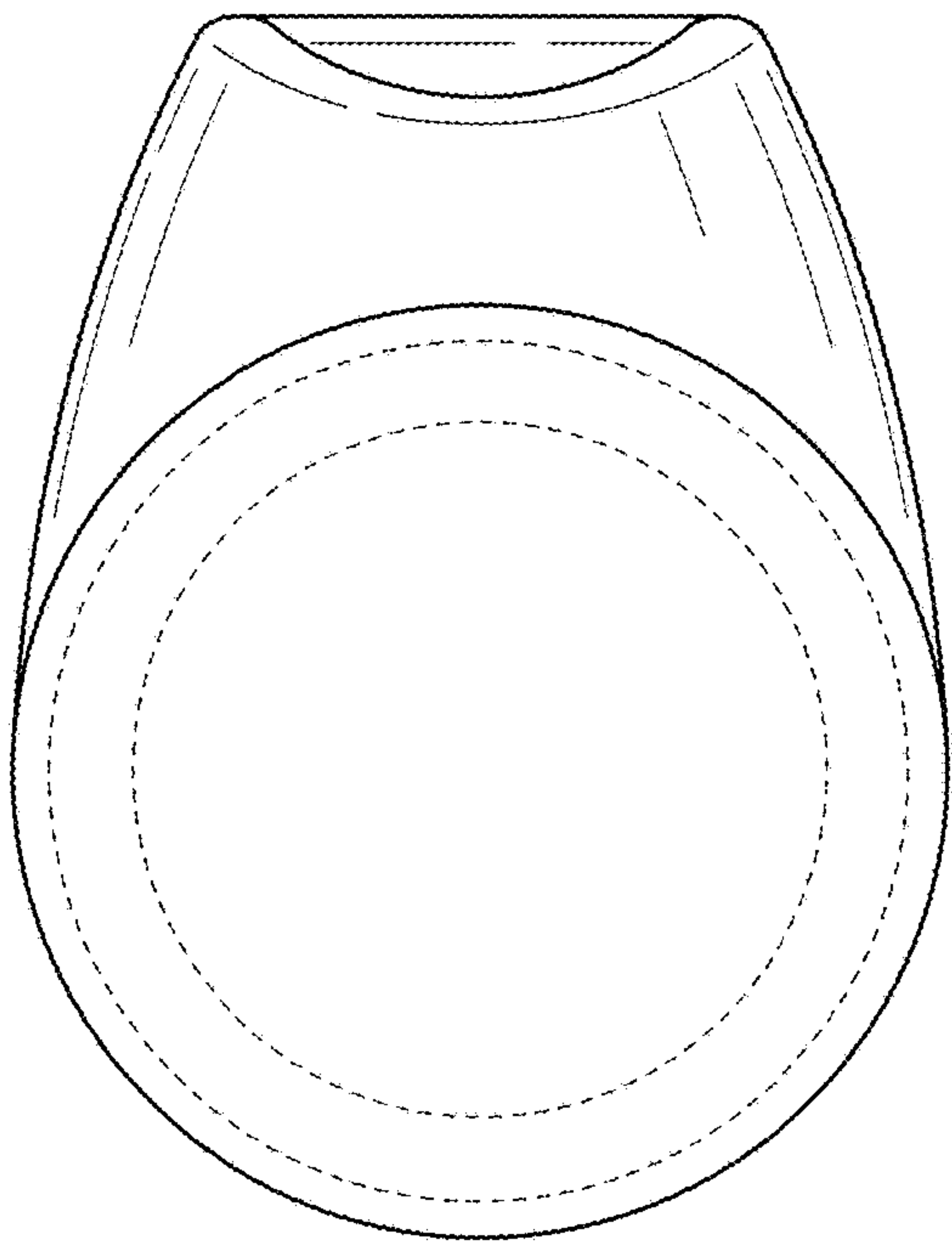


FIG. 9

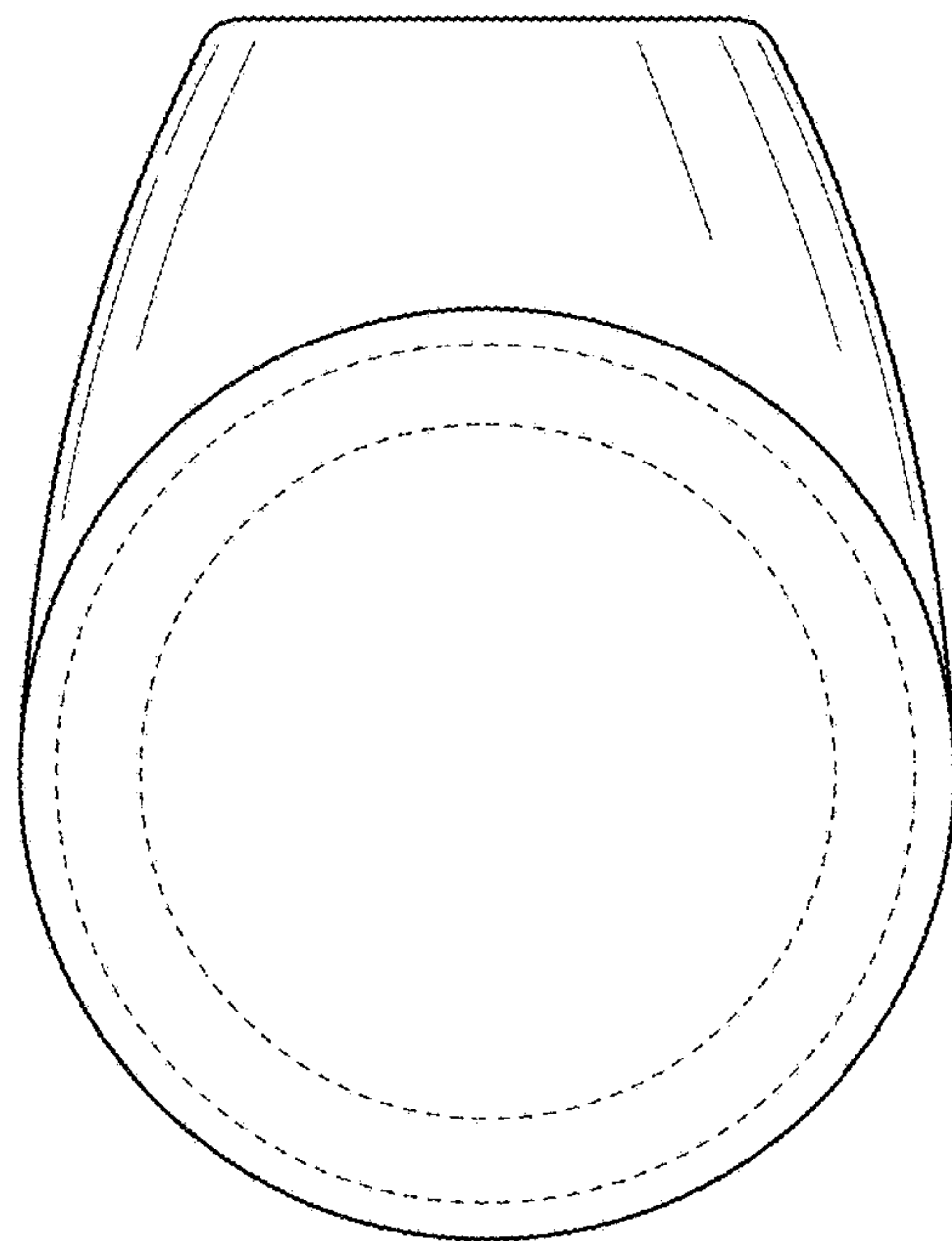


FIG. 10

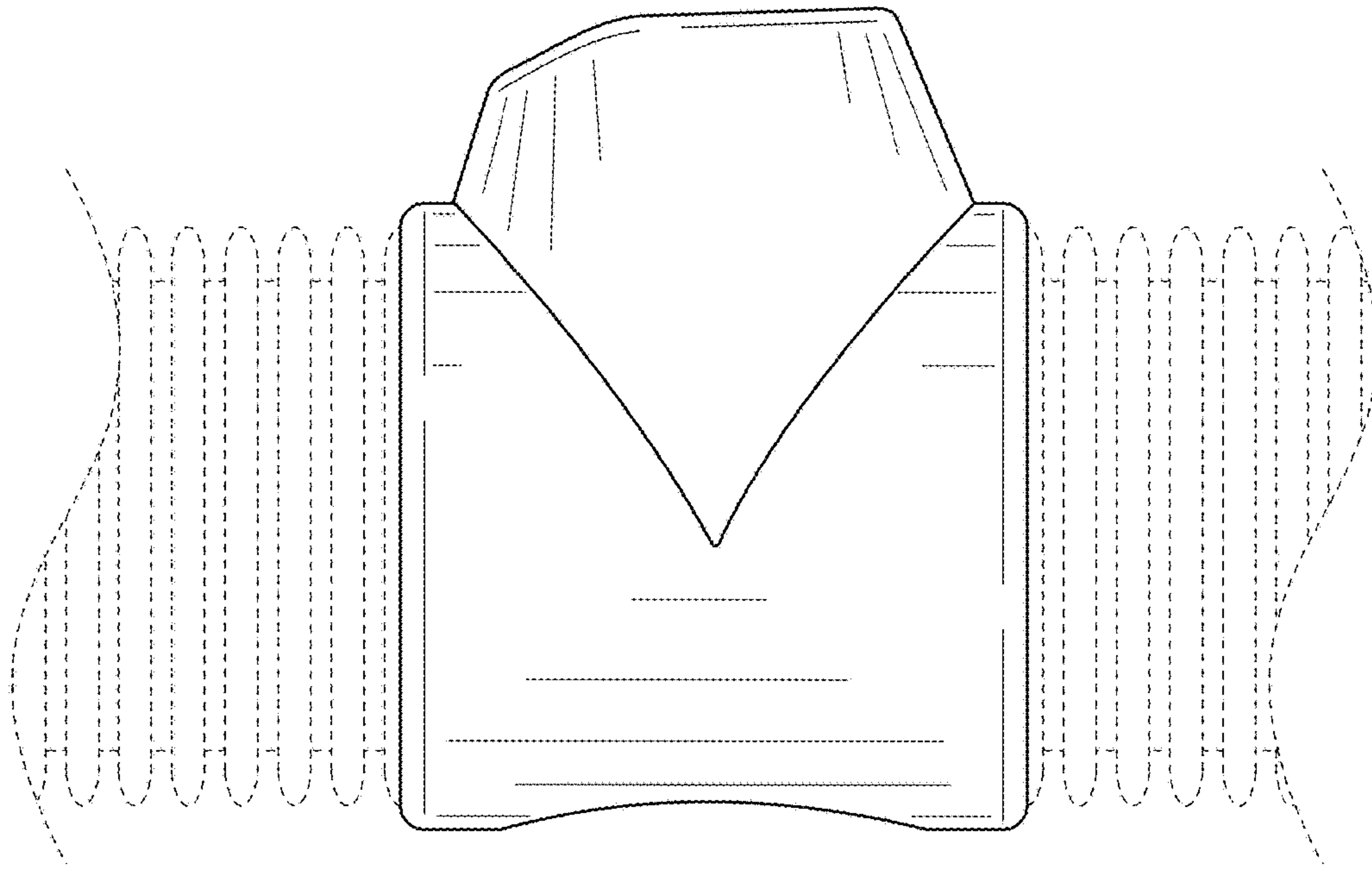


FIG. 11

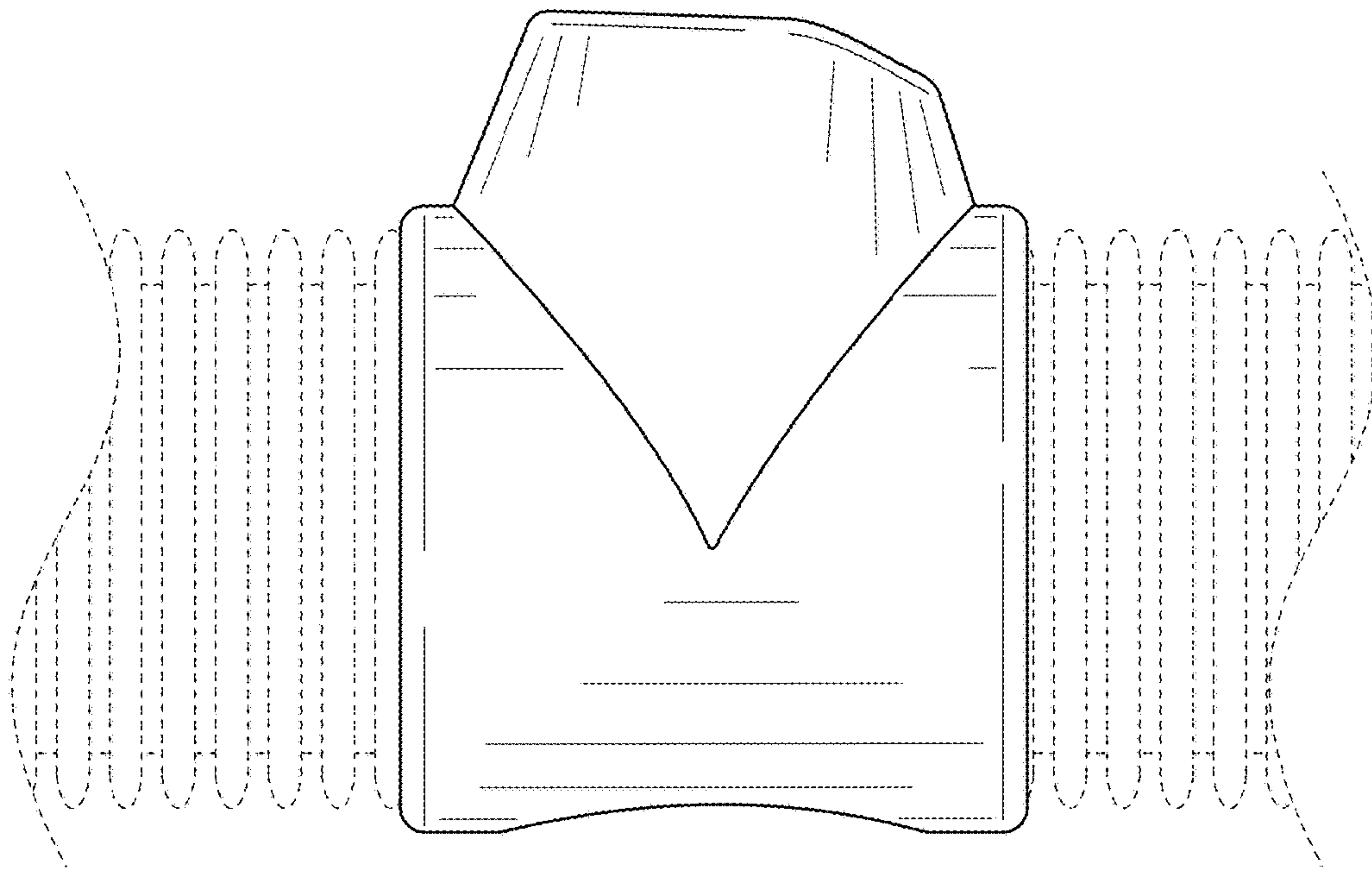


FIG. 12

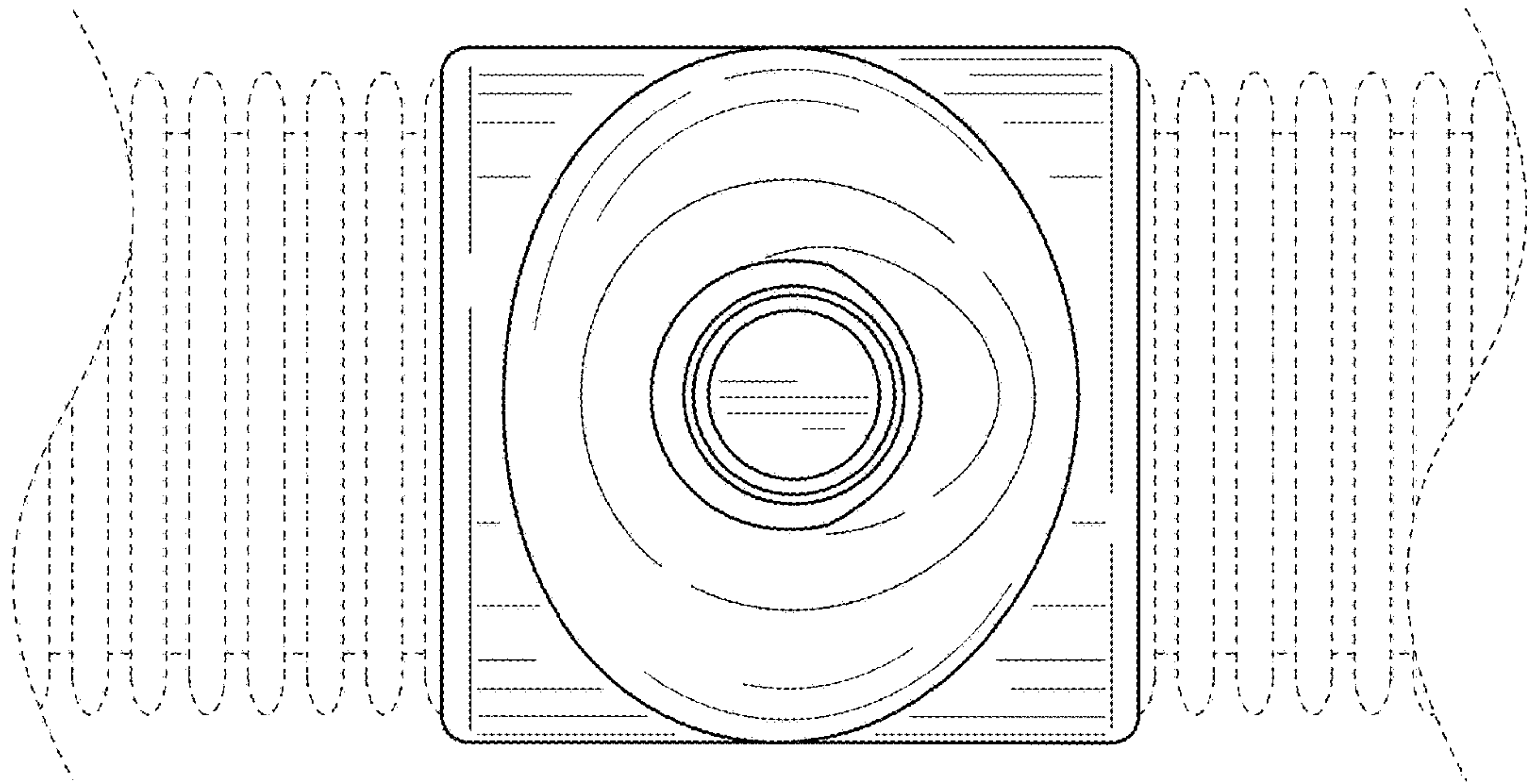


FIG. 13

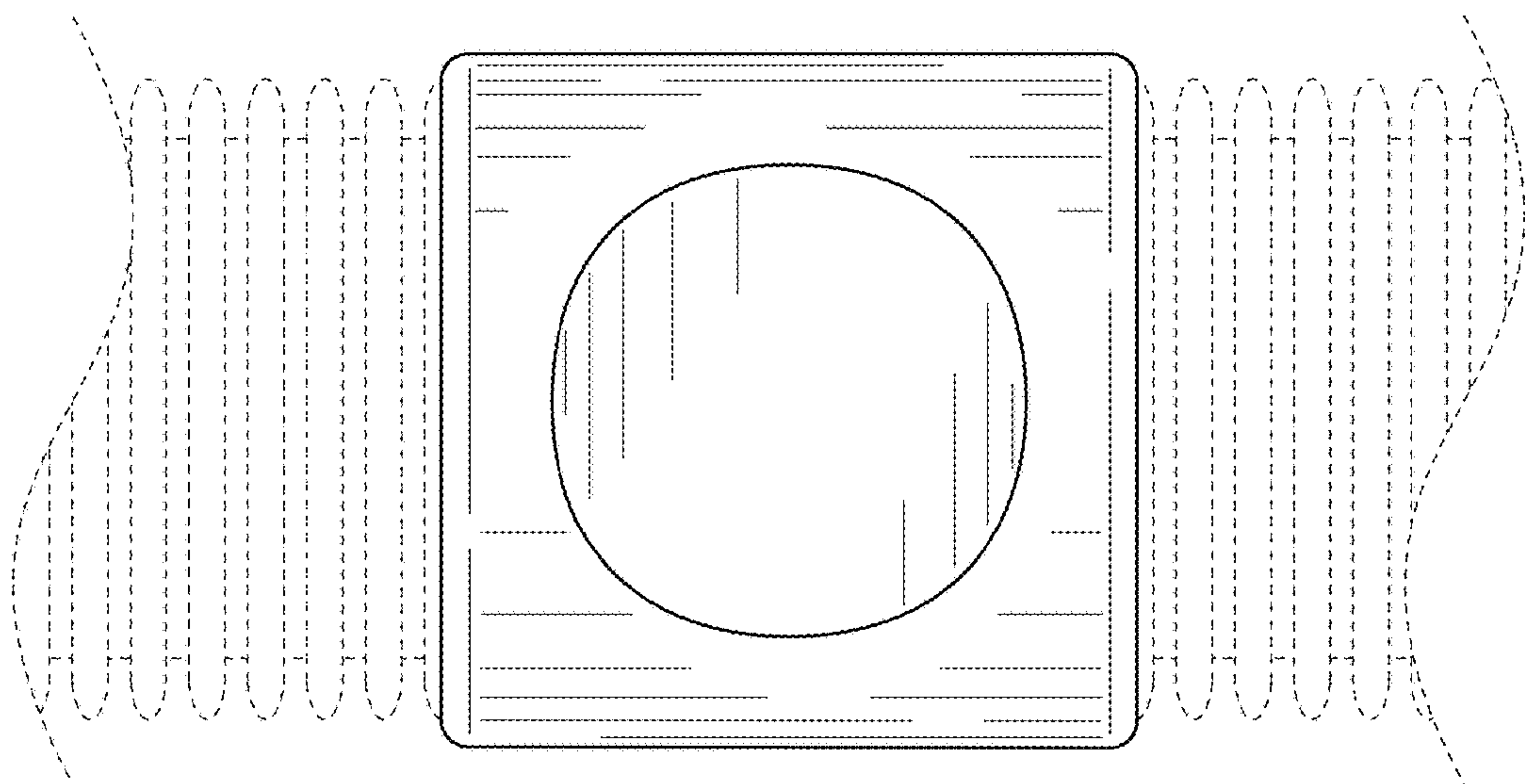


FIG. 14