



US00D803893S

(12) **United States Design Patent** (10) **Patent No.:** **US D803,893 S**  
**Daeger et al.** (45) **Date of Patent:** **\*\* Nov. 28, 2017**

(54) <b>ELECTRIC PUMP</b>	5,217,238 A * 6/1993 Cyphers ..... B05B 9/0403 280/47.18
(71) Applicant: <b>Graco Minnesota Inc.</b> , Minneapolis, MN (US)	D398,614 S * 9/1998 Kartinen ..... D15/7 D560,271 S * 1/2008 Kesti ..... D23/225 D580,518 S * 11/2008 Johnson ..... D23/225 D605,664 S * 12/2009 Walter ..... D15/7 D639,311 S * 6/2011 Peterson ..... D15/7 8,083,497 B2 * 12/2011 Gilpatrick ..... B08B 3/026 248/163.1
(72) Inventors: <b>Alexander J. Daeger</b> , Roseville, MN (US); <b>Justin J. Weldon</b> , Belle Plaine, MN (US)	D726,770 S * 4/2015 Winiger ..... D15/19 D733,840 S * 7/2015 Butler et al. D771,714 S * 11/2016 Hines ..... D15/7
(73) Assignee: <b>Graco Minnesota Inc.</b> , Minneapolis, MN (US)	

(\*\*) Term: **15 Years**

(21) Appl. No.: **29/565,994**

(22) Filed: **May 26, 2016**

(51) **LOC (10) Cl.** ..... **15-02**

(52) **U.S. Cl.**  
USPC ..... **D15/7**

(58) **Field of Classification Search**  
USPC ..... D15/7-9; D23/231, 232, 225; 417/60,  
417/235, 265, 321, 355, 358, 363, 359,  
417/410.1, 415-416, 405, 900, 269, 539,  
417/234; 60/408, 412; 184/26-37;  
415/140-147; 123/495, 509; 137/565.34  
CPC ..... F02M 37/04; F02M 37/14; F04B 53/92;  
F04B 1/005  
See application file for complete search history.

(56) **References Cited**

**U.S. PATENT DOCUMENTS**

D185,000 S \* 4/1959 Hoover ..... D15/9  
D258,436 S \* 3/1981 McGilberry ..... D15/7

**OTHER PUBLICATIONS**

Graco's E-Flo DC Brochure, Form No. 345005C-EN, Published Mar. 2015.

\* cited by examiner

*Primary Examiner* — Ralf Seifert  
(74) *Attorney, Agent, or Firm* — Douglas B. Farrow

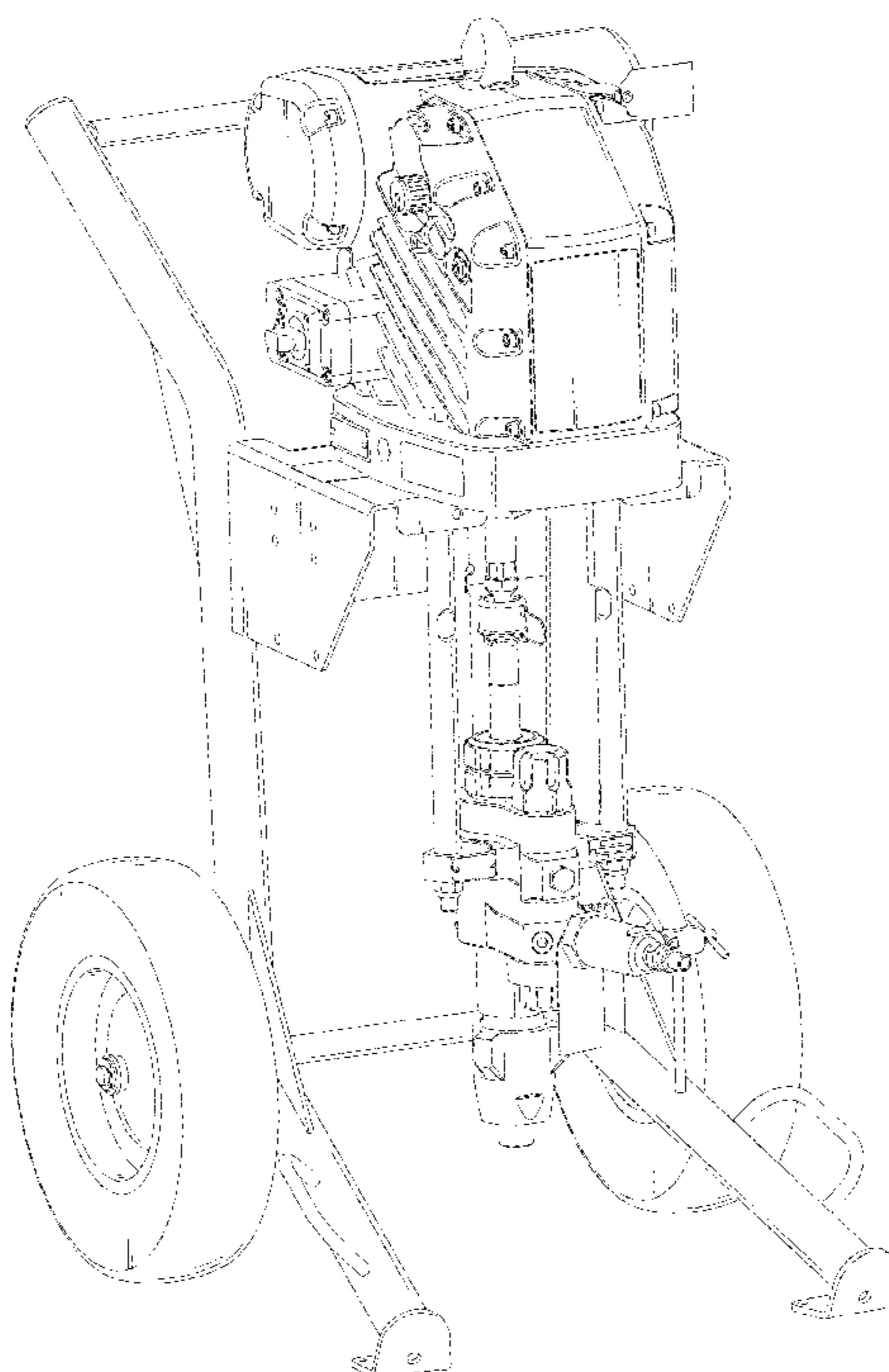
(57) **CLAIM**

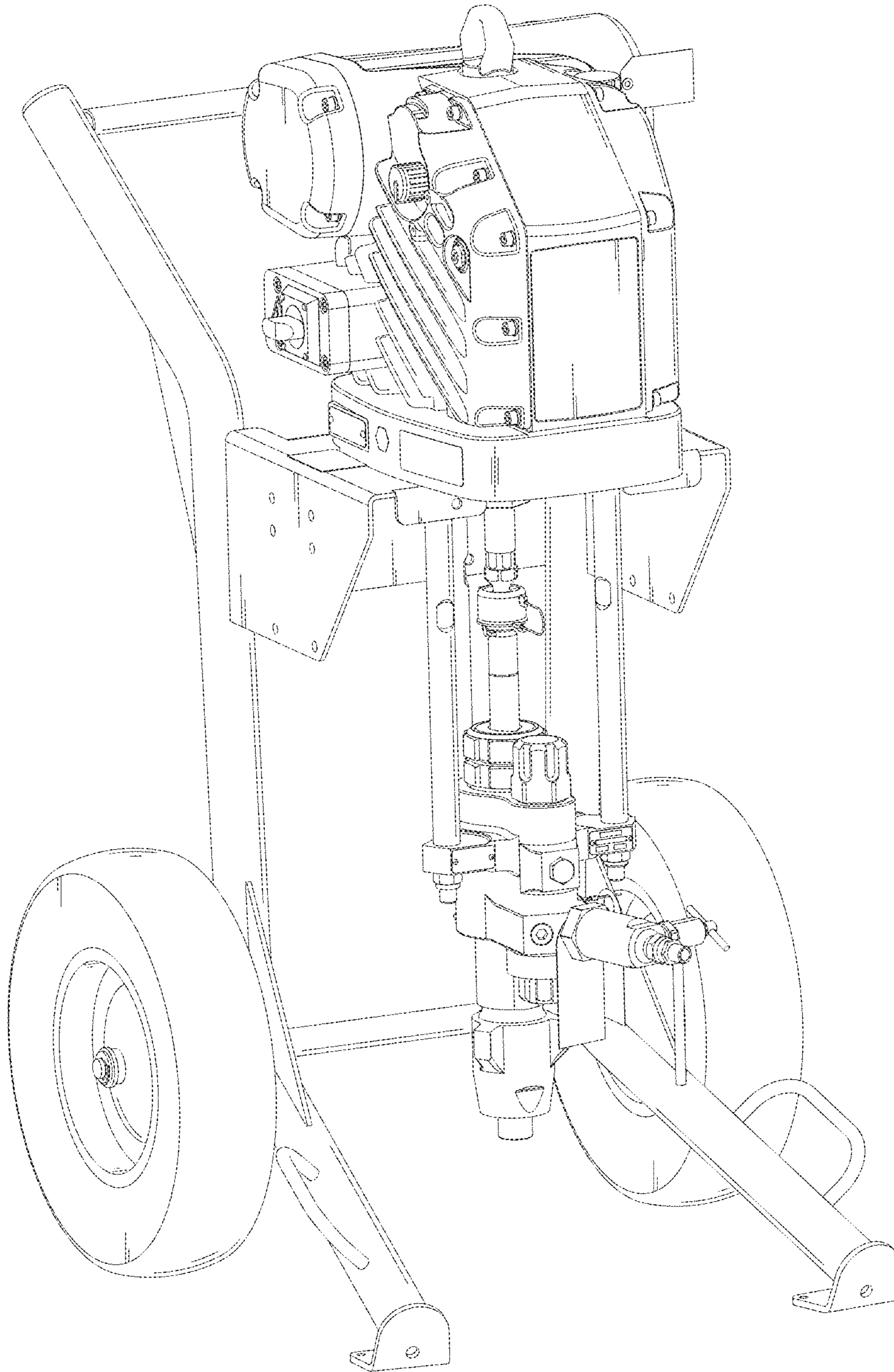
The ornamental design for an electric pump, as shown and described.

**DESCRIPTION**

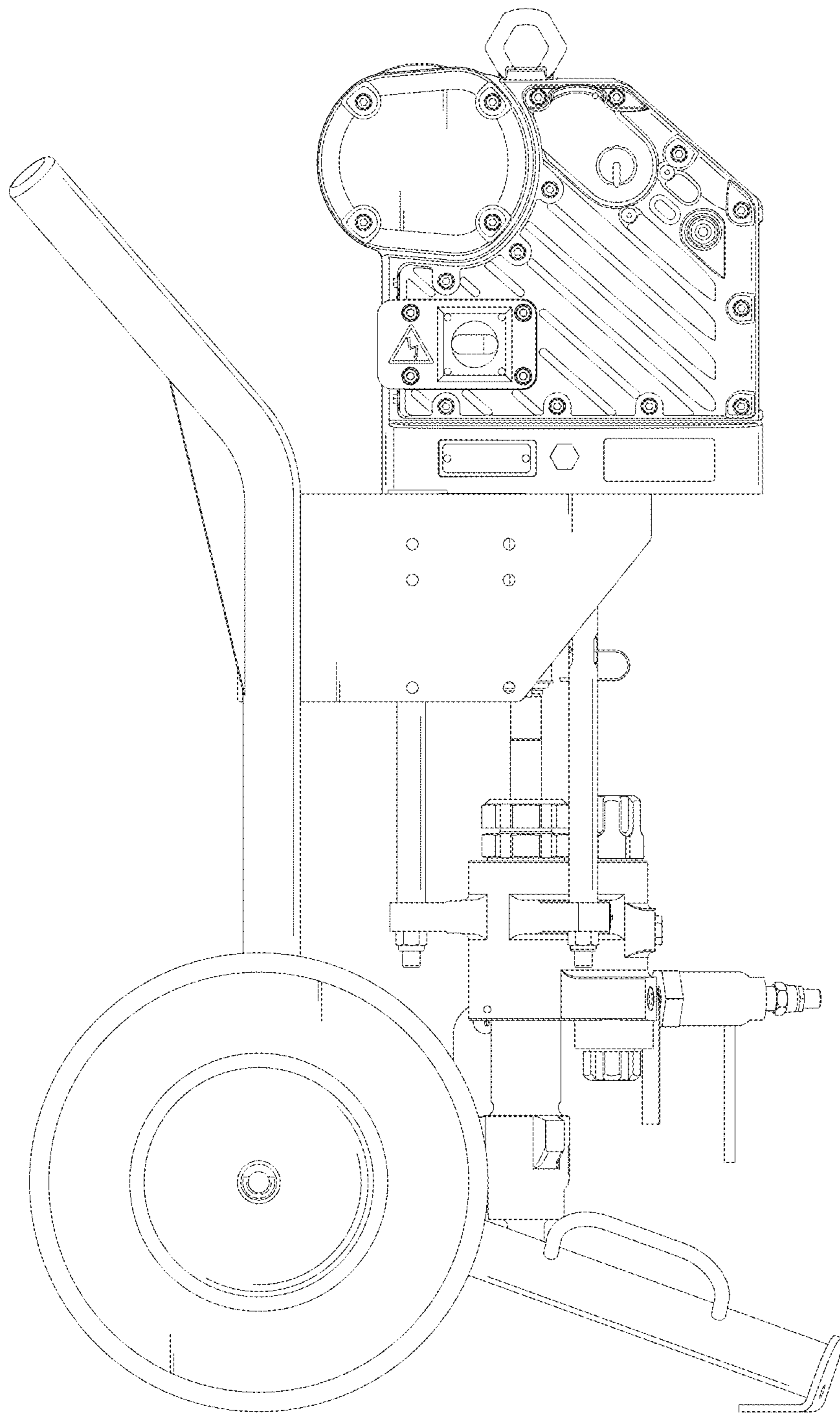
FIG. 1 is a front left isometric view of an electric pump;  
FIG. 2 is a left side view thereof;  
FIG. 3 is a front side view thereof;  
FIG. 4 is a right side view thereof;  
FIG. 5 is a rear view thereof;  
FIG. 6 is a top view thereof; and,  
FIG. 7 is a bottom view of an electric pump.

**1 Claim, 7 Drawing Sheets**

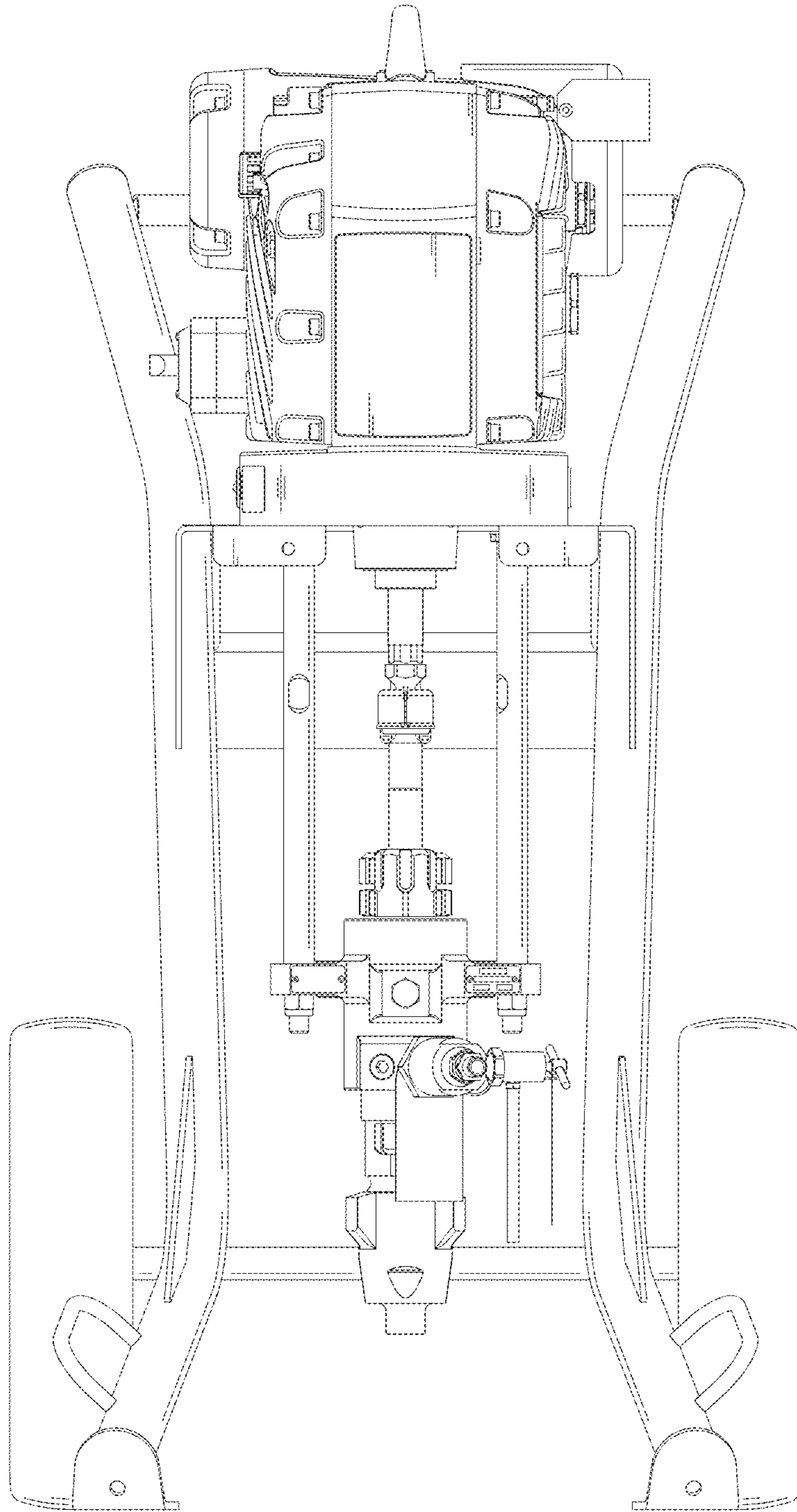




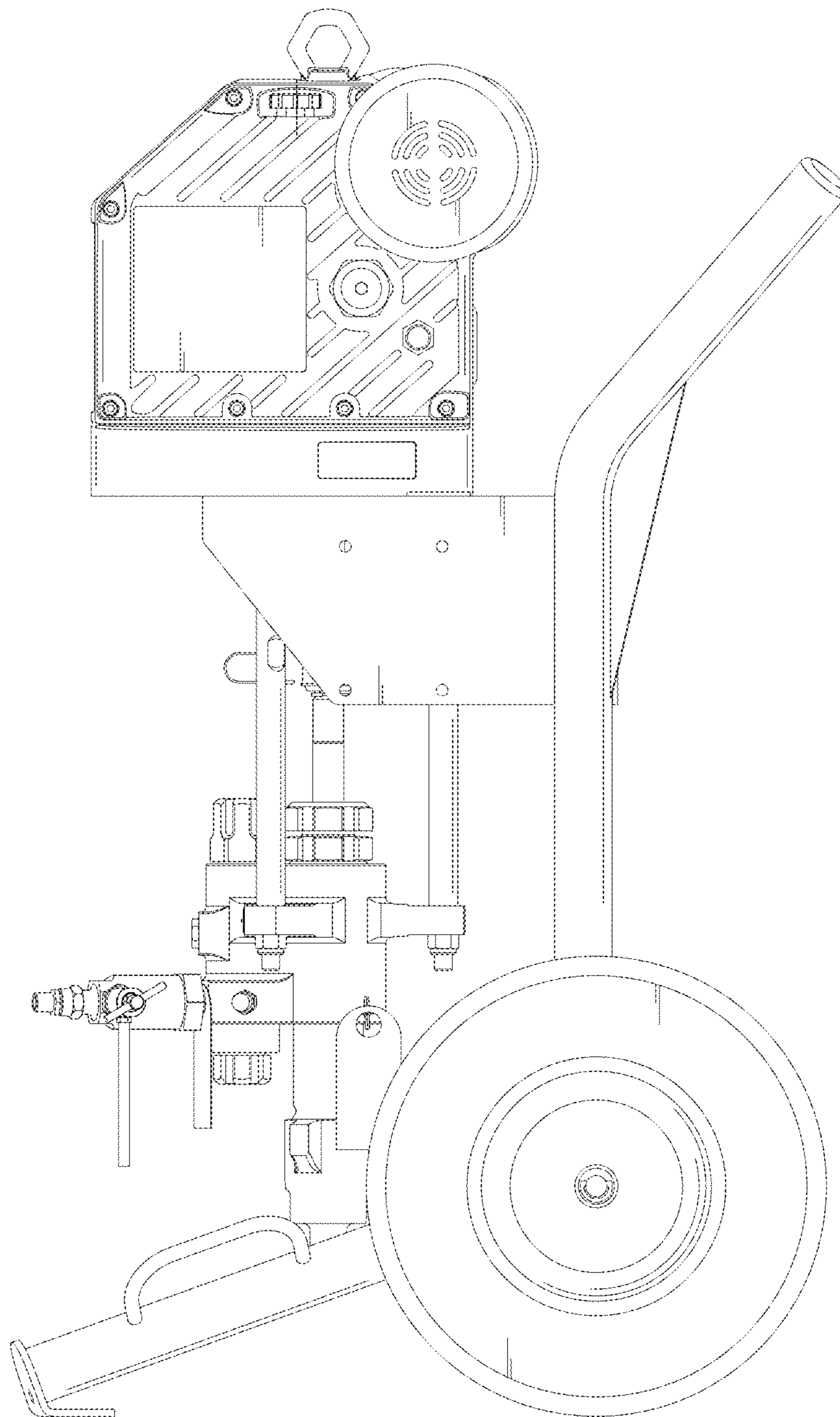
**FIG. 1**



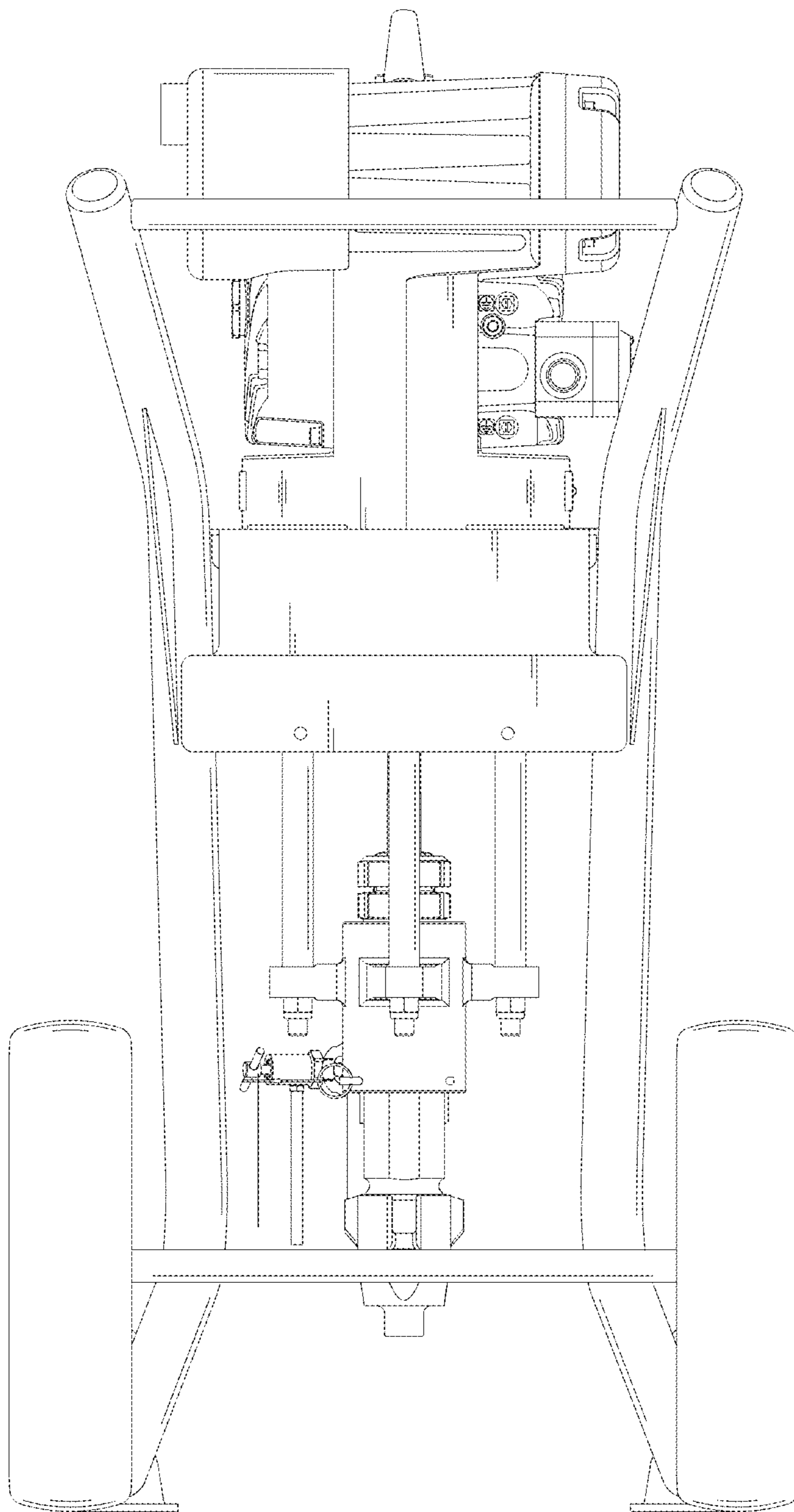
**FIG. 2**



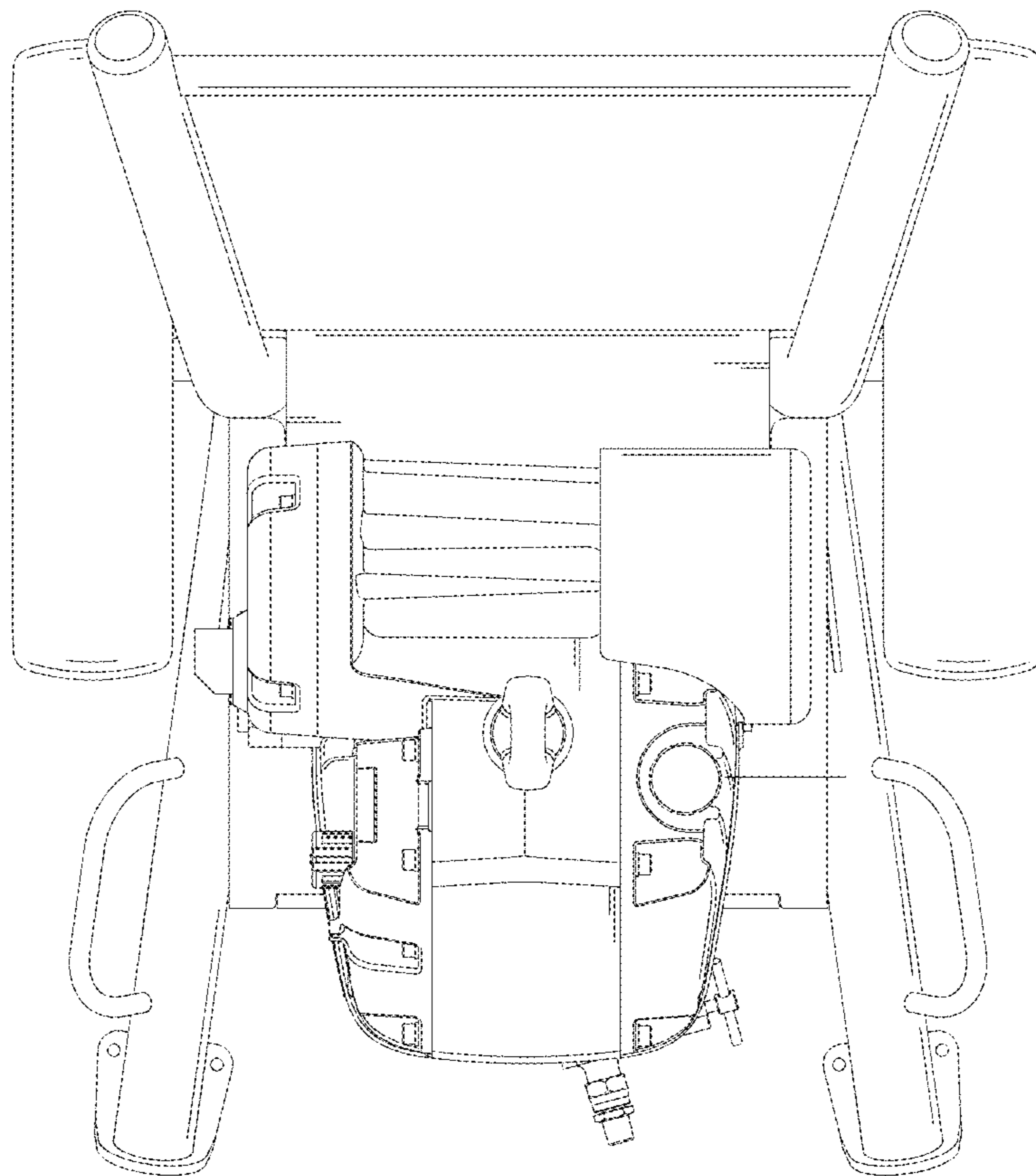
**FIG. 3**



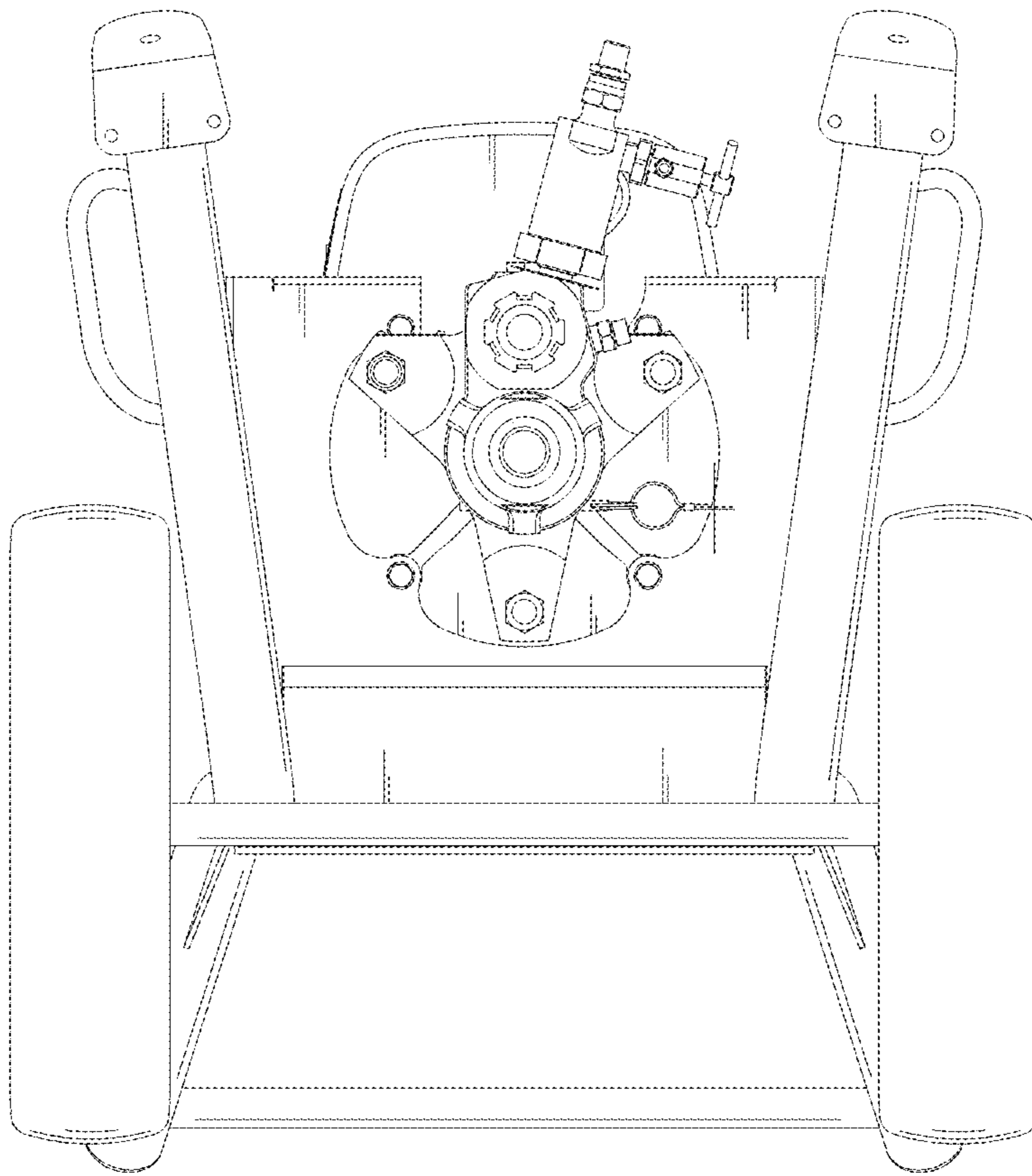
**FIG. 4**



**FIG. 5**



**FIG. 6**



**FIG. 7**