



US00D803892S

(12) **United States Design Patent**
Timmer

(10) **Patent No.:** **US D803,892 S**

(45) **Date of Patent:** **** Nov. 28, 2017**

(54) **PUMP**

(71) Applicant: **Timmer GmbH**, Neuenkirchen (DE)

(72) Inventor: **Herbert Timmer**, Neuenkirchen (DE)

(73) Assignee: **Timmer GmbH**, Neuenkirchen (DE)

(**) Term: **15 Years**

(21) Appl. No.: **29/551,115**

(22) Filed: **Jan. 11, 2016**

(51) **LOC (10) Cl.** **15-02**

(52) **U.S. Cl.**
USPC **D15/7**

(58) **Field of Classification Search**
USPC D15/7-9; D23/231, 232, 225; 417/60,
417/235, 265, 321, 355, 358, 363, 359,
417/410.1, 415-416, 405, 900, 269, 539;
60/408, 412; 184/26-37; 415/140-147;
123/495, 509; 137/565.34
CPC F02M 37/04; F02M 37/14; F04B 53/92;
F04B 1/005
See application file for complete search history.

(56) **References Cited**

U.S. PATENT DOCUMENTS

D210,919 S * 4/1968 Danner D15/7
D401,944 S * 12/1998 Campbell D15/7

D471,561 S * 3/2003 Kohsaka D15/7
D649,561 S * 11/2011 Bauck D15/7
D729,848 S * 5/2015 Charriere D15/7
9,303,634 B2 * 4/2016 Furet F04B 9/105
D769,943 S * 10/2016 Charriere D15/7

* cited by examiner

Primary Examiner — Ralf Seifert

(74) *Attorney, Agent, or Firm* — The Law Office of
Michael E. Kondoudis

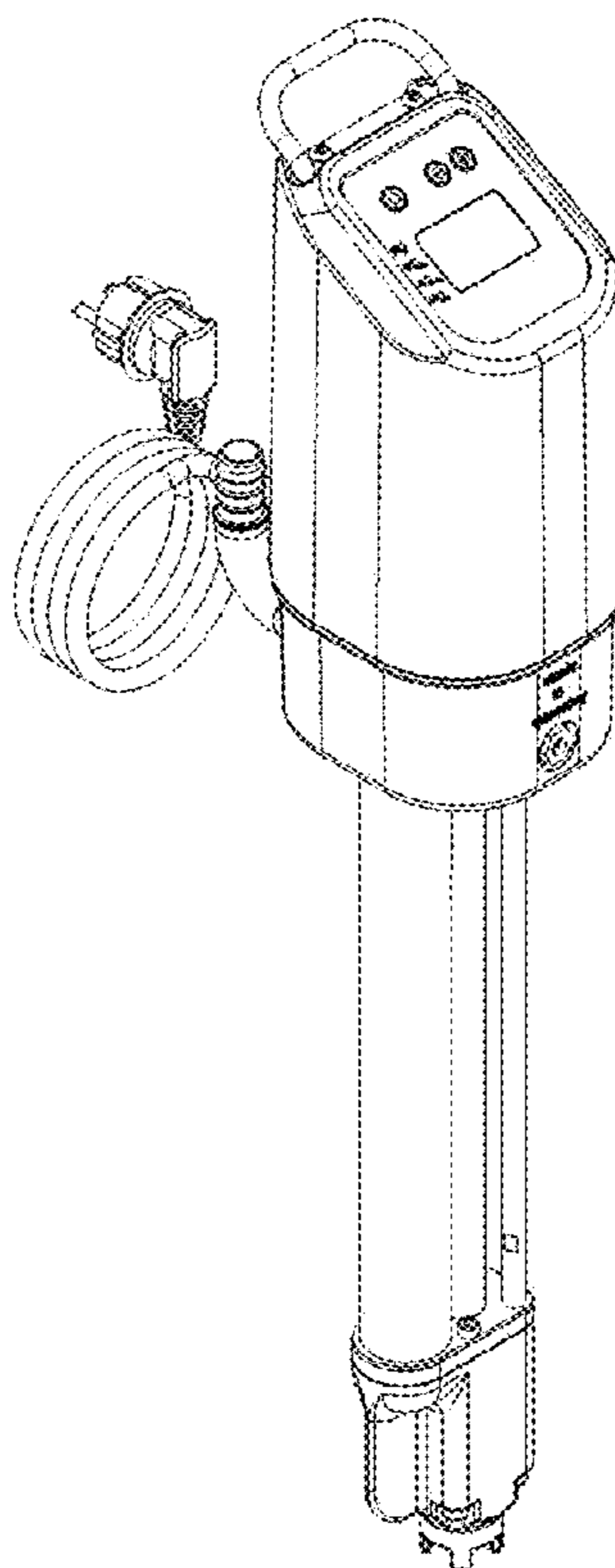
(57) **CLAIM**

The ornamental design for a pump, as shown and described.

DESCRIPTION

FIG. 1 is a perspective elevational view of the pump, in accordance with an embodiment of the present invention; FIG. 2 is a front view of the pump of FIG. 1, in accordance with an embodiment of the present invention; FIG. 3 is a right side view of the pump of FIG. 1; FIG. 4 is a rear view of the pump of FIG. 1; FIG. 5 is a top side view of the pump of FIG. 1; FIG. 6 is a bottom side view of the pump of FIG. 1; and, FIG. 7 is a left view of the pump of FIG. 1. The broken lines are included for the purpose of illustrating portions of the pump that form no part of the claimed design.

1 Claim, 7 Drawing Sheets



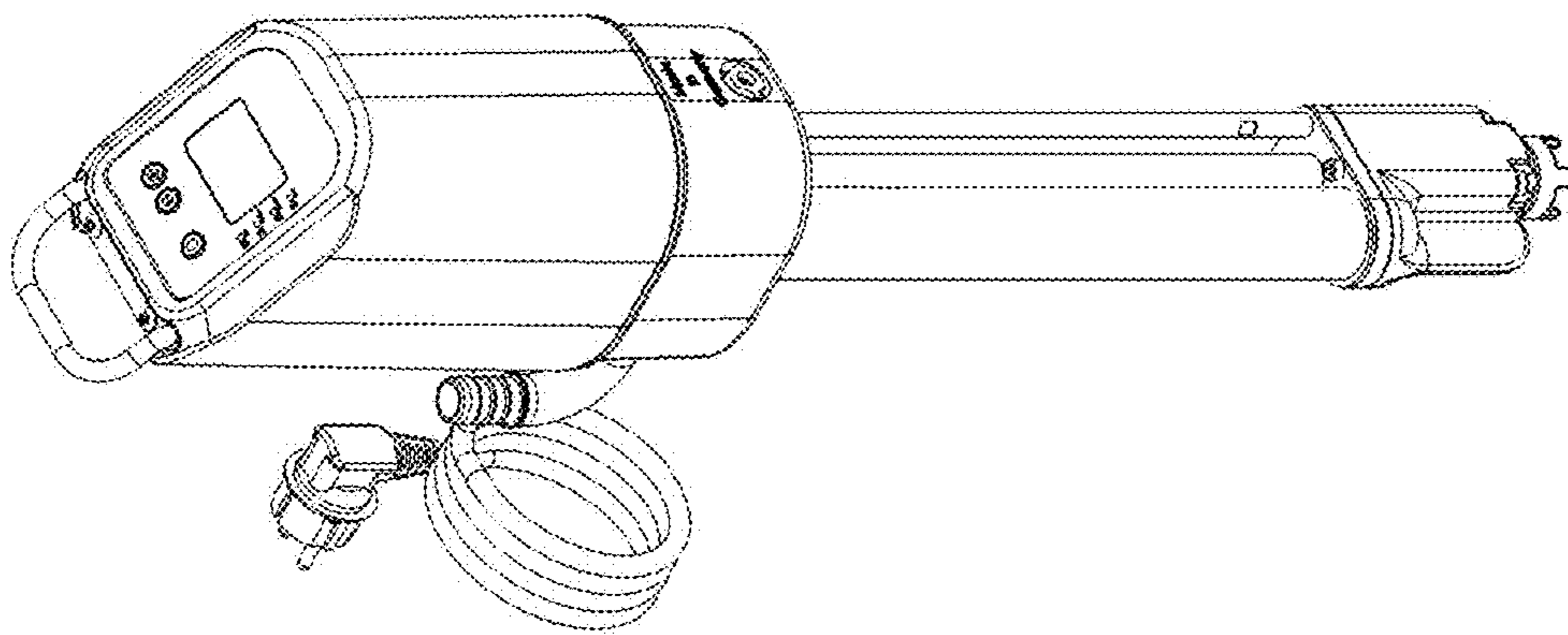


FIG. 1

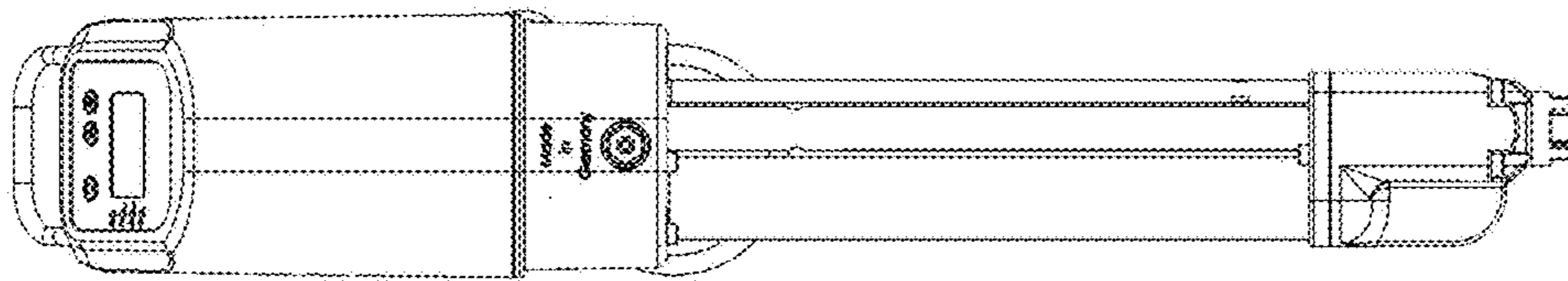


FIG. 2

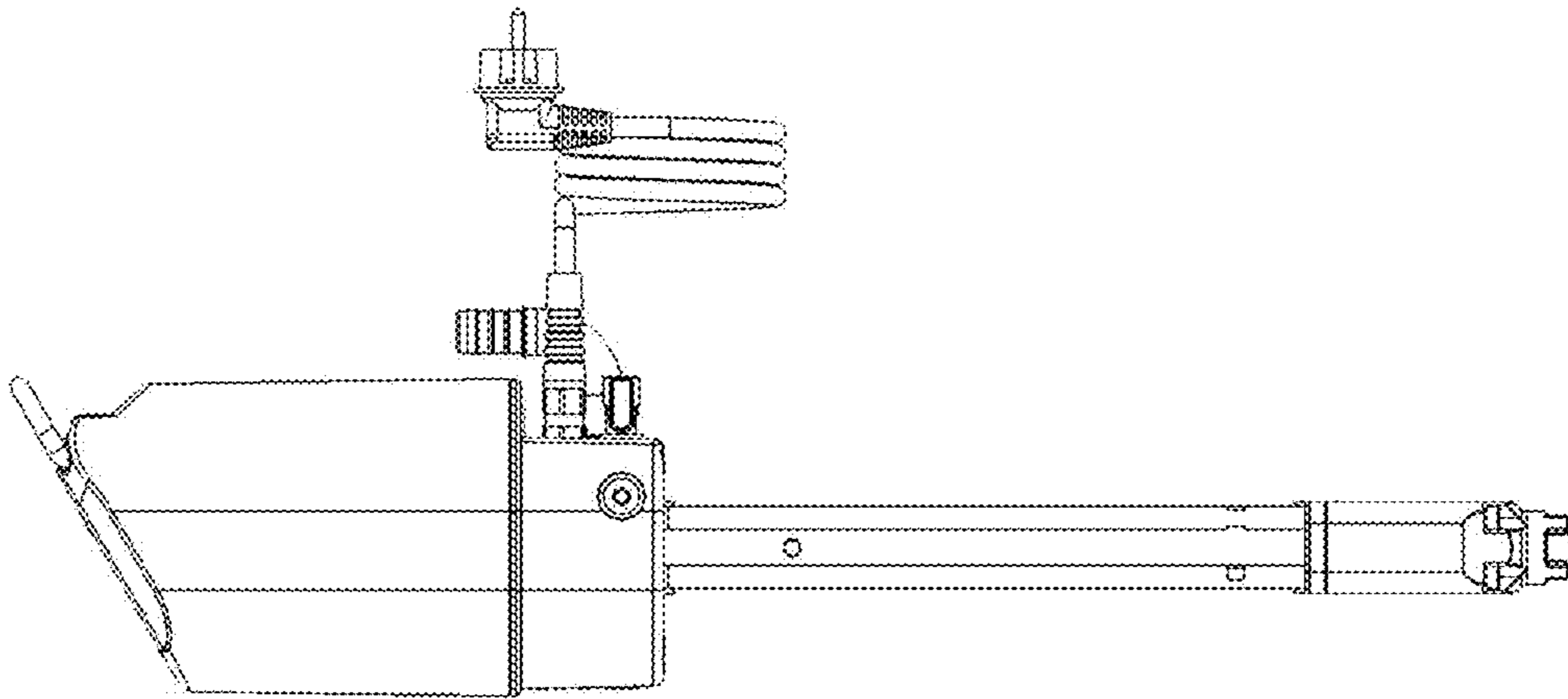


FIG. 3

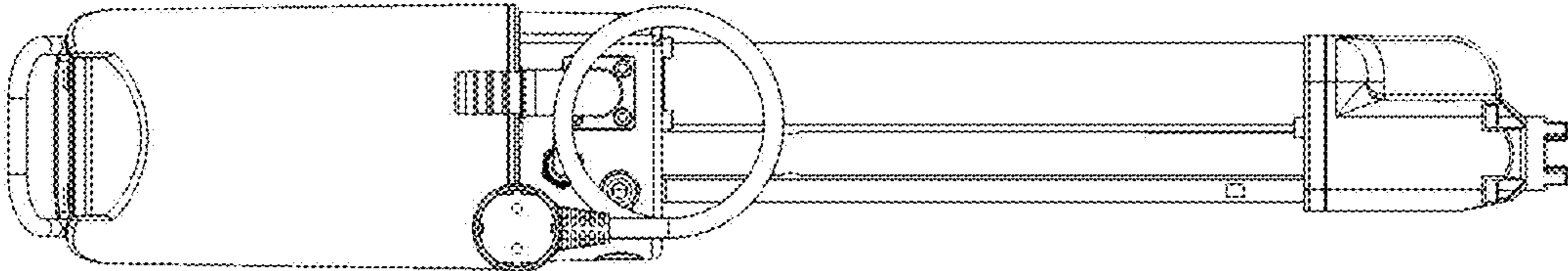


FIG. 4

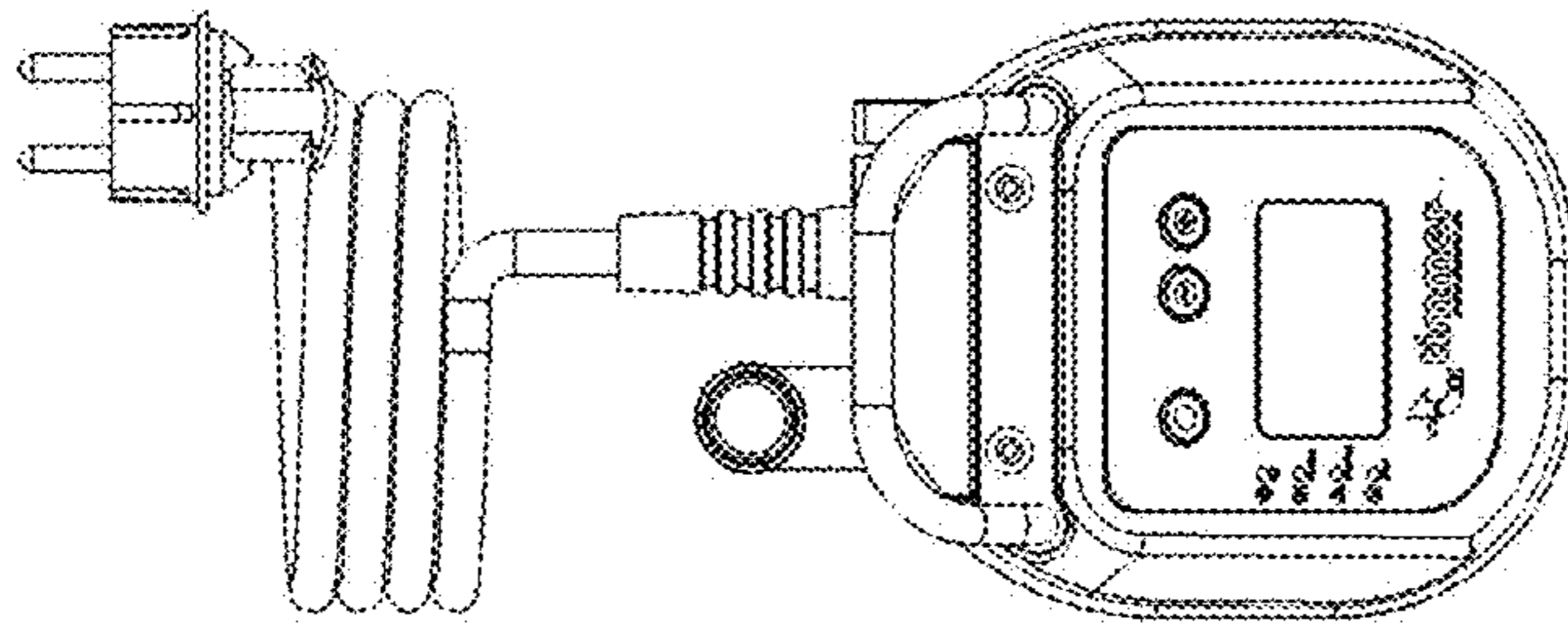


FIG. 5

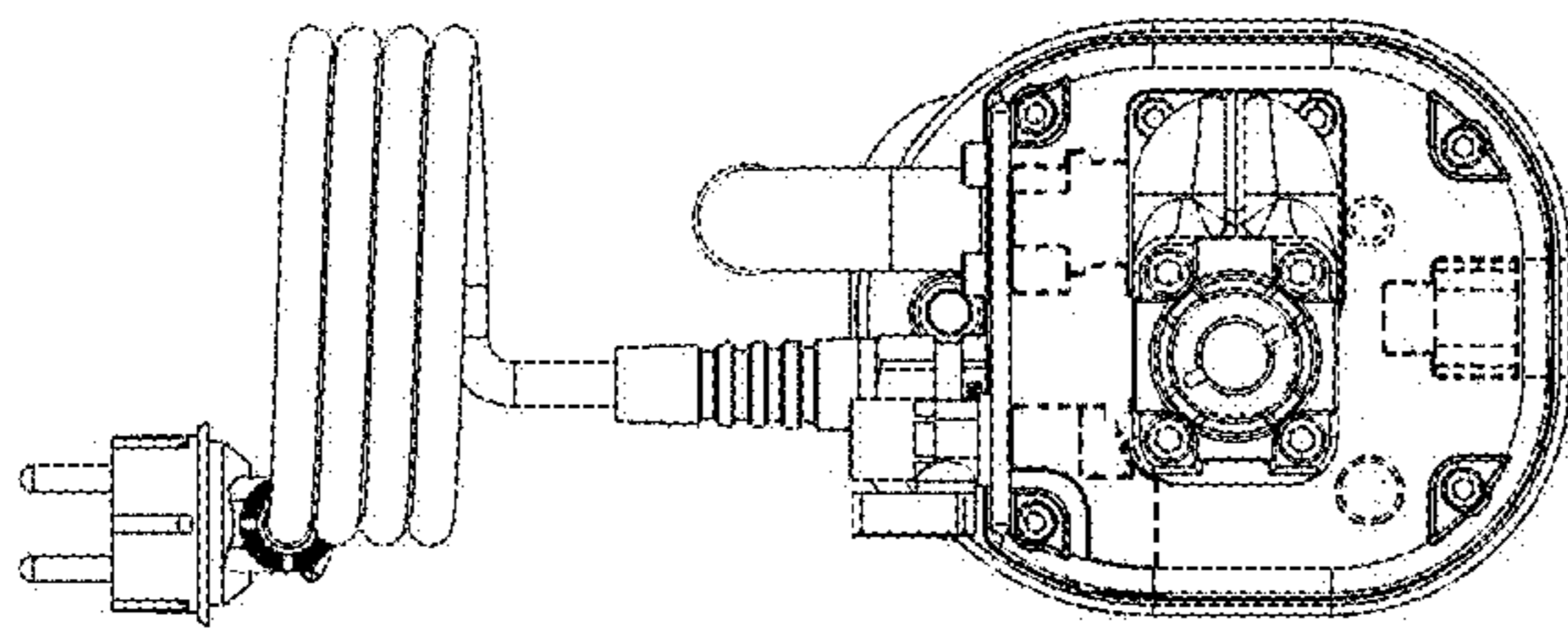


FIG. 6

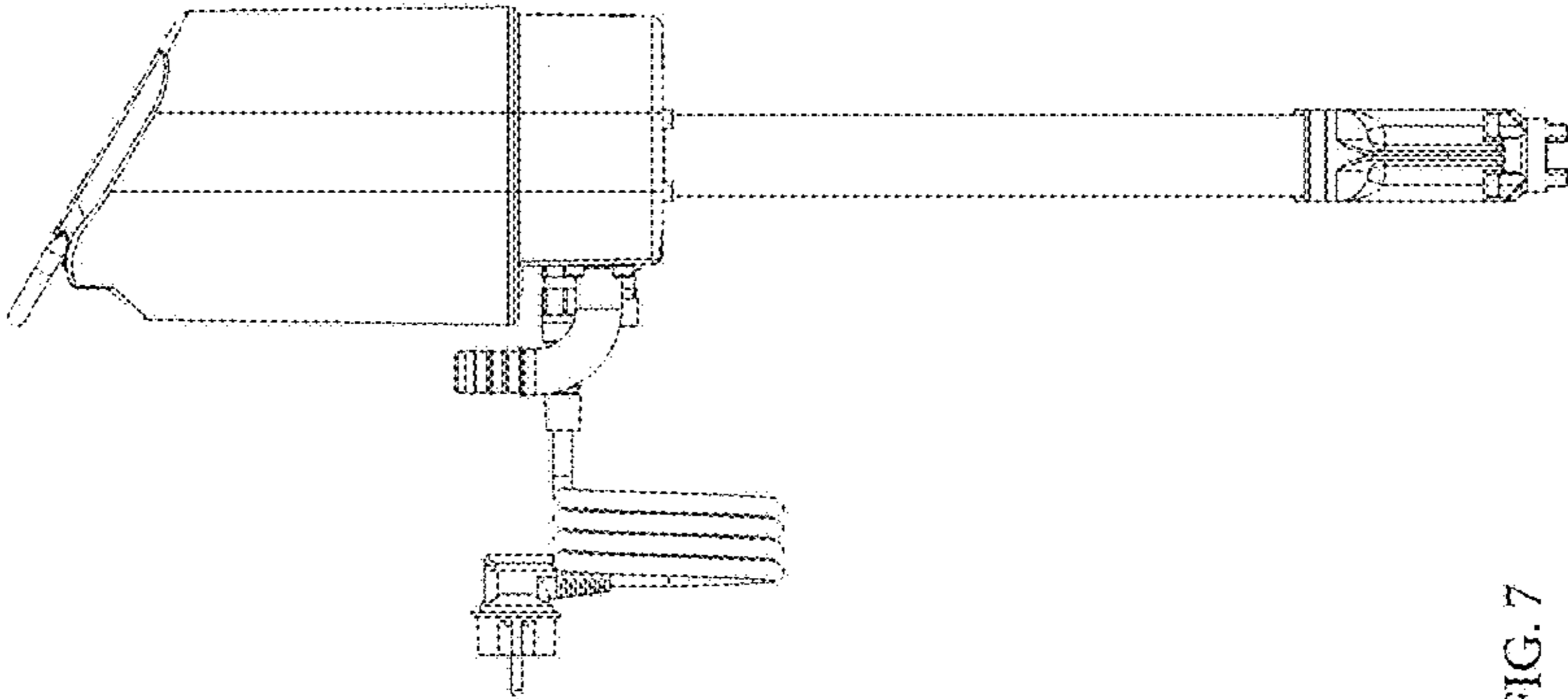


FIG. 7