



US00D803891S

(12) **United States Design Patent**
Timmer

(10) **Patent No.:** **US D803,891 S**

(45) **Date of Patent:** **** Nov. 28, 2017**

(54) **PUMP**

(71) Applicant: **Timmer GmbH**, Neuenkirchen (DE)

(72) Inventor: **Herbert Timmer**, Neuenkirchen (DE)

(73) Assignee: **Timmer GmbH**, Neuenkirchen (DE)

(**) Term: **15 Years**

(21) Appl. No.: **29/551,113**

(22) Filed: **Jan. 11, 2016**

(51) **LOC (10) Cl.** **15-02**

(52) **U.S. Cl.**
USPC **D15/7**

(58) **Field of Classification Search**
USPC D15/7-9; D23/231, 232, 225; 417/60,
417/235, 265, 321, 355, 358, 363, 359,
417/410.1, 415-416, 405, 900, 269, 539;
60/408, 412; 184/26-37; 415/140-147;
123/495, 509; 137/565.34
CPC F02M 37/04; F02M 37/14; F04B 53/92;
F04B 1/005
See application file for complete search history.

(56) **References Cited**

U.S. PATENT DOCUMENTS

D210,706 S * 4/1968 Zalis D15/7
D222,847 S * 1/1972 Kondo D15/9

D263,302 S * 3/1982 Terajima D15/7
D294,361 S * 2/1988 Williams D15/9
D308,385 S * 6/1990 Russold D15/7
D315,739 S * 3/1991 Lannoch D15/7
D328,304 S * 7/1992 Frohn D15/1
D354,495 S * 1/1995 Tojo D15/7
D391,270 S * 2/1998 Chowdhury D15/7
D705,818 S * 5/2014 Chen D15/7
D778,323 S * 2/2017 Hashimoto D15/7

* cited by examiner

Primary Examiner — Ralf Seifert

(74) *Attorney, Agent, or Firm* — The Law Office of
Michael E. Kondoudis

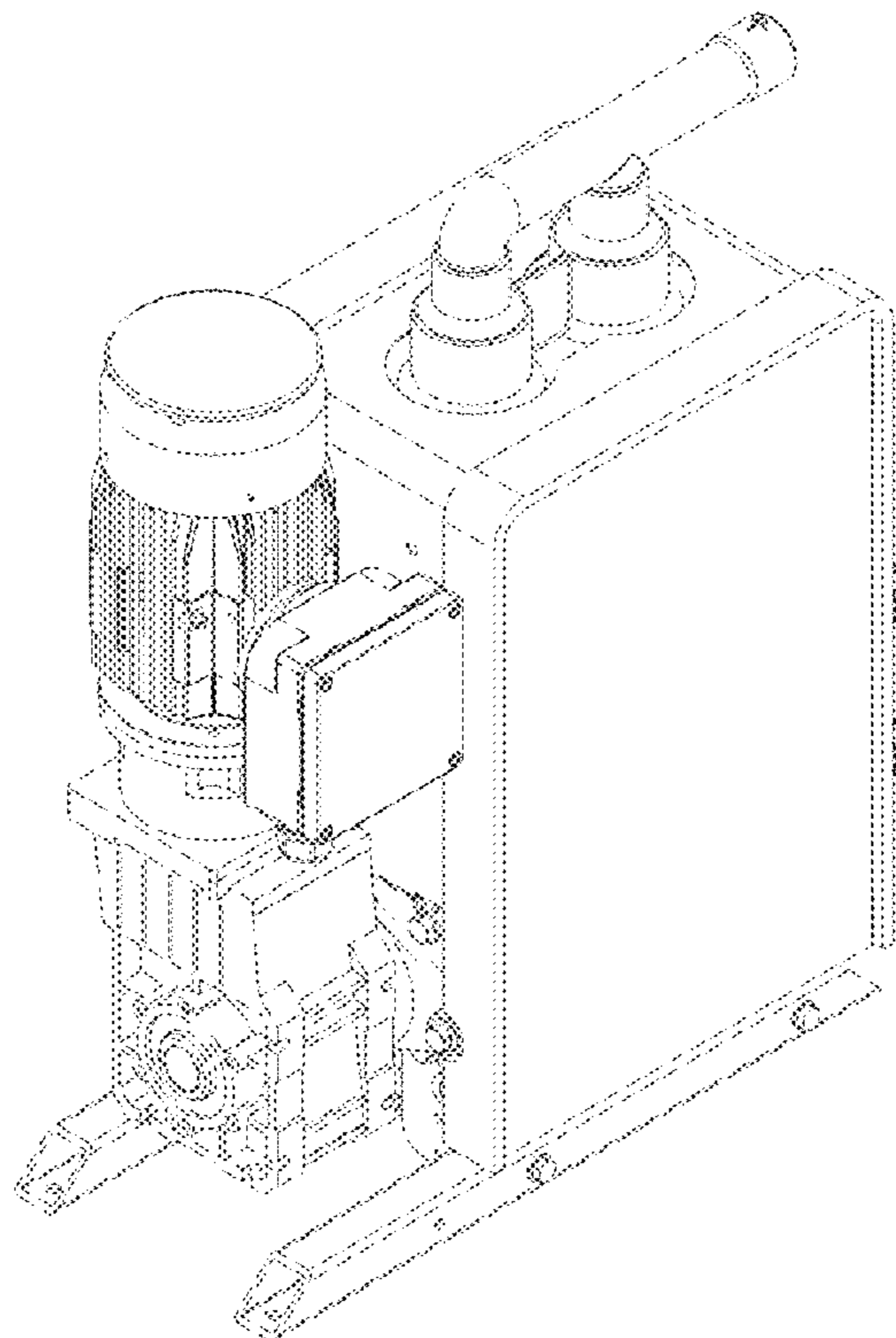
(57) **CLAIM**

The ornamental design for a pump, as shown and described.

DESCRIPTION

FIG. 1 is a perspective elevational view of the pump, in accordance with an embodiment of the present invention; FIG. 2 is a front view of the pump of FIG. 1, in accordance with an embodiment of the present invention; FIG. 3 is a right side view of the pump of FIG. 1; FIG. 4 is a rear view of the pump of FIG. 1; FIG. 5 is a left side view of the pump of FIG. 1; FIG. 6 is a top side view of the pump of FIG. 1; and, FIG. 7 is a bottom side view of the pump of FIG. 1. The broken lines are included for the purpose of illustrating portions of the pump that form no part of the claimed design.

1 Claim, 7 Drawing Sheets



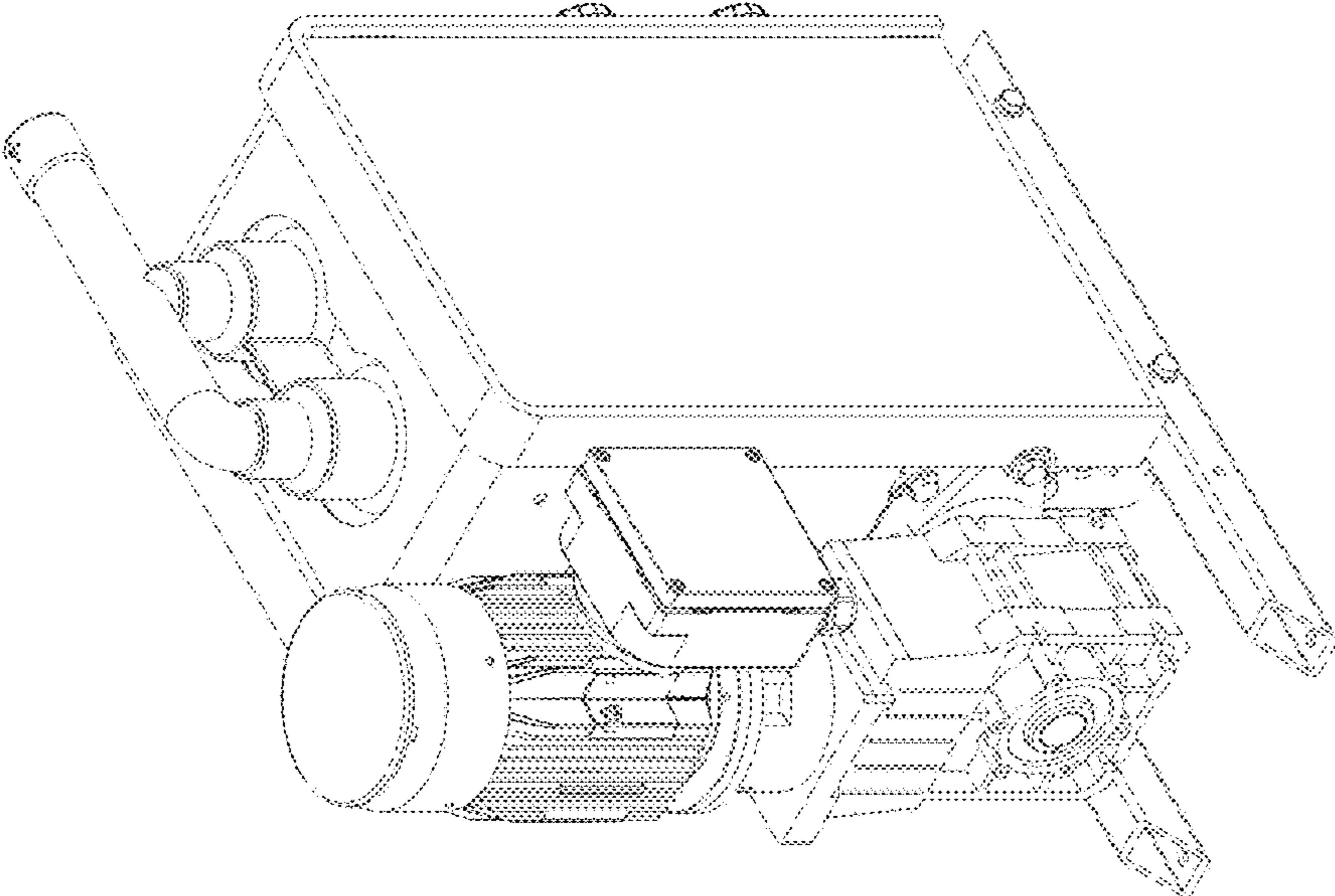


FIG. 1

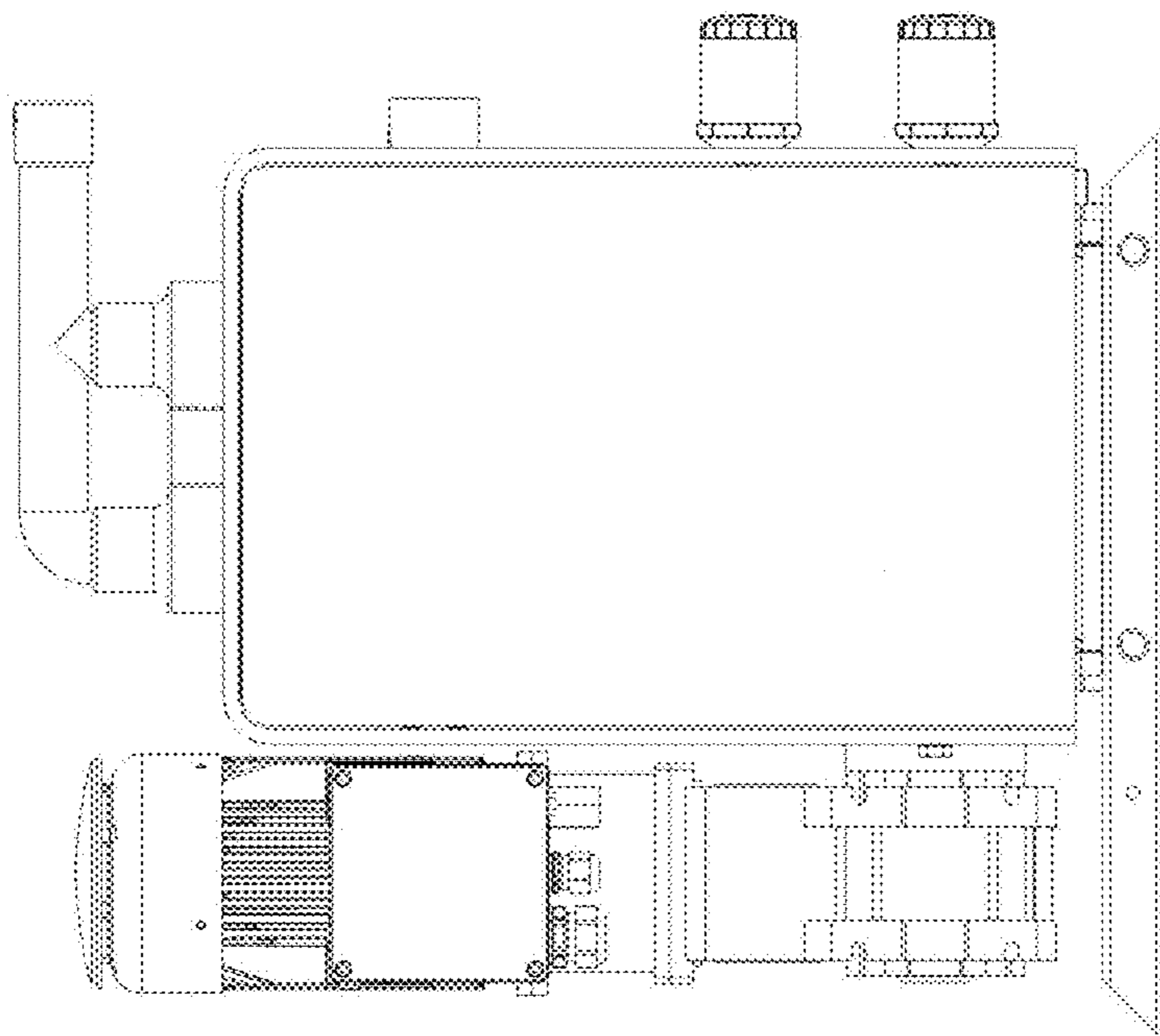


FIG. 2

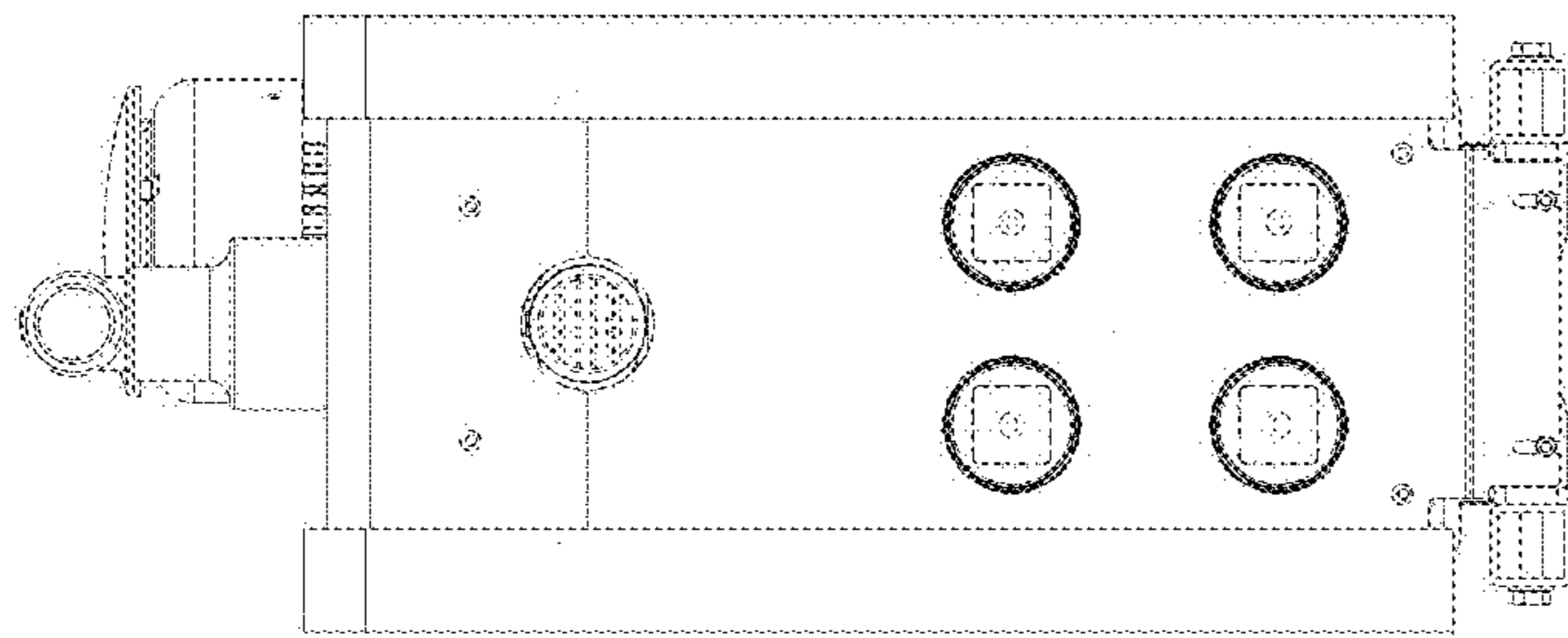


FIG. 3

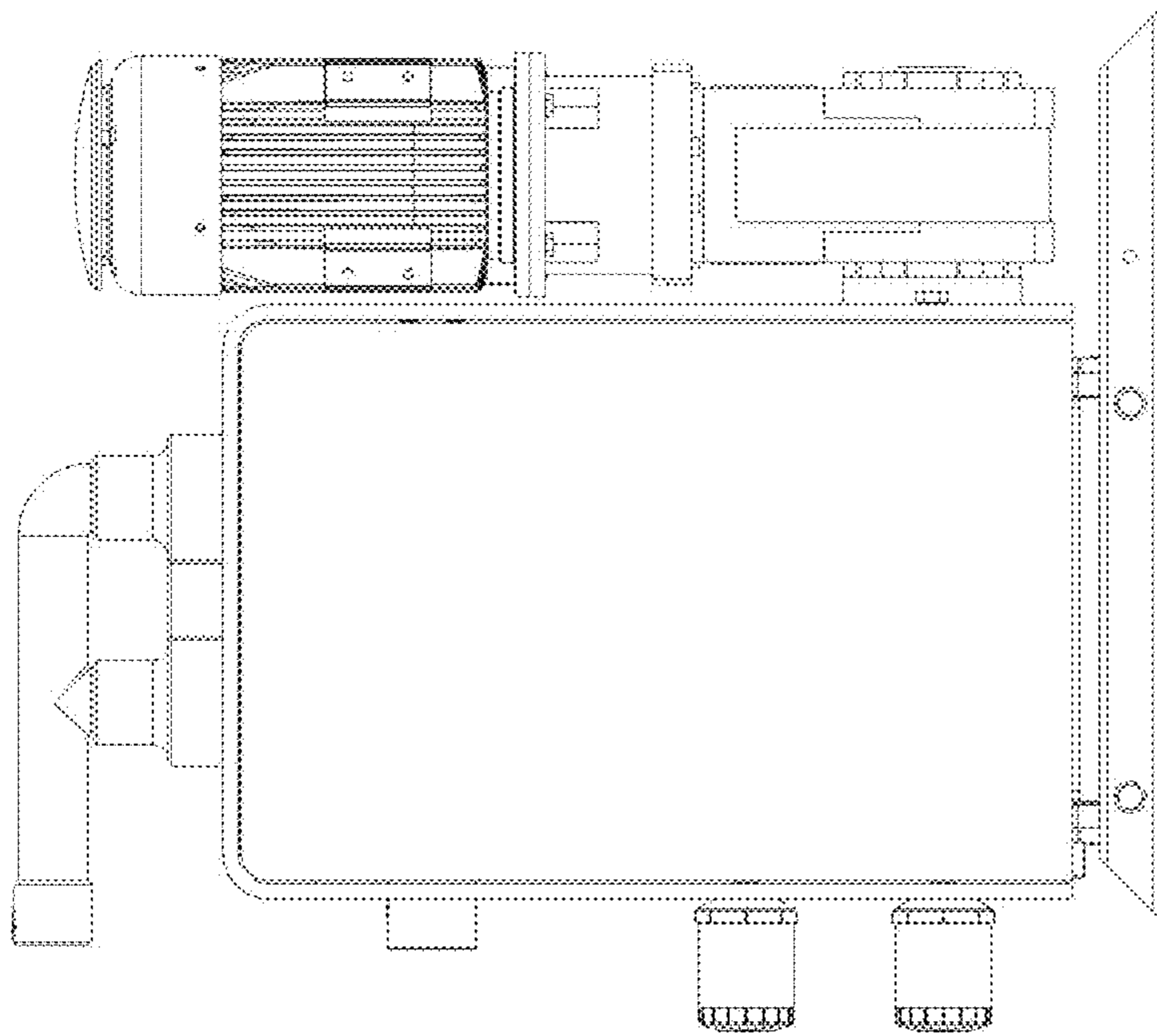


FIG. 4

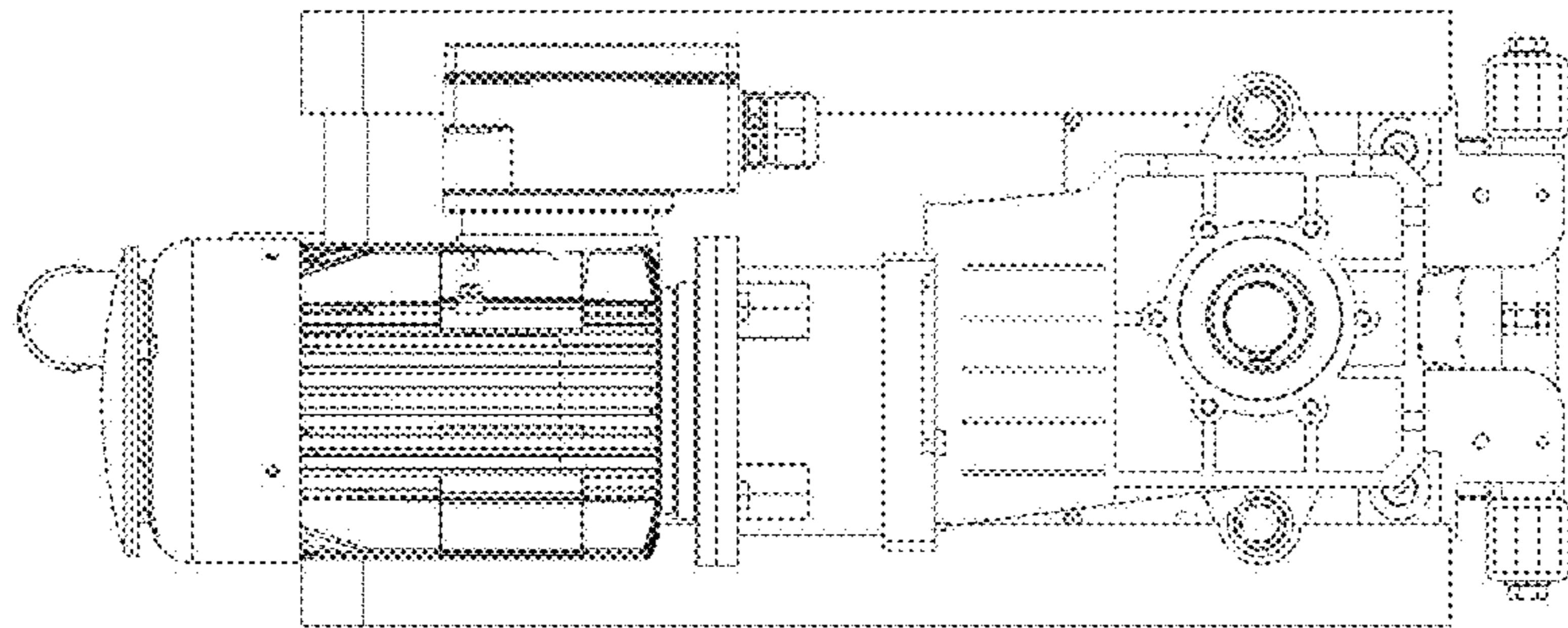


FIG. 5

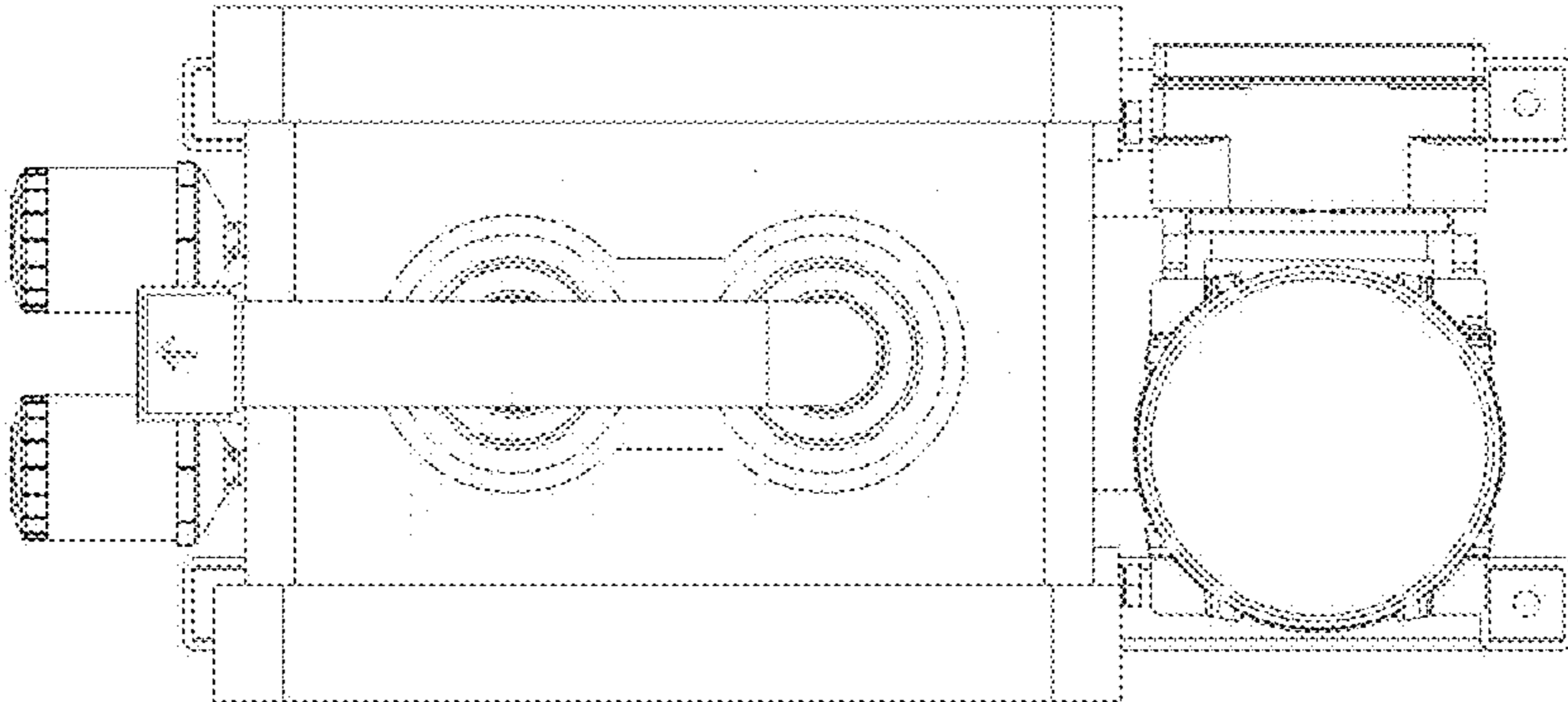


FIG. 6

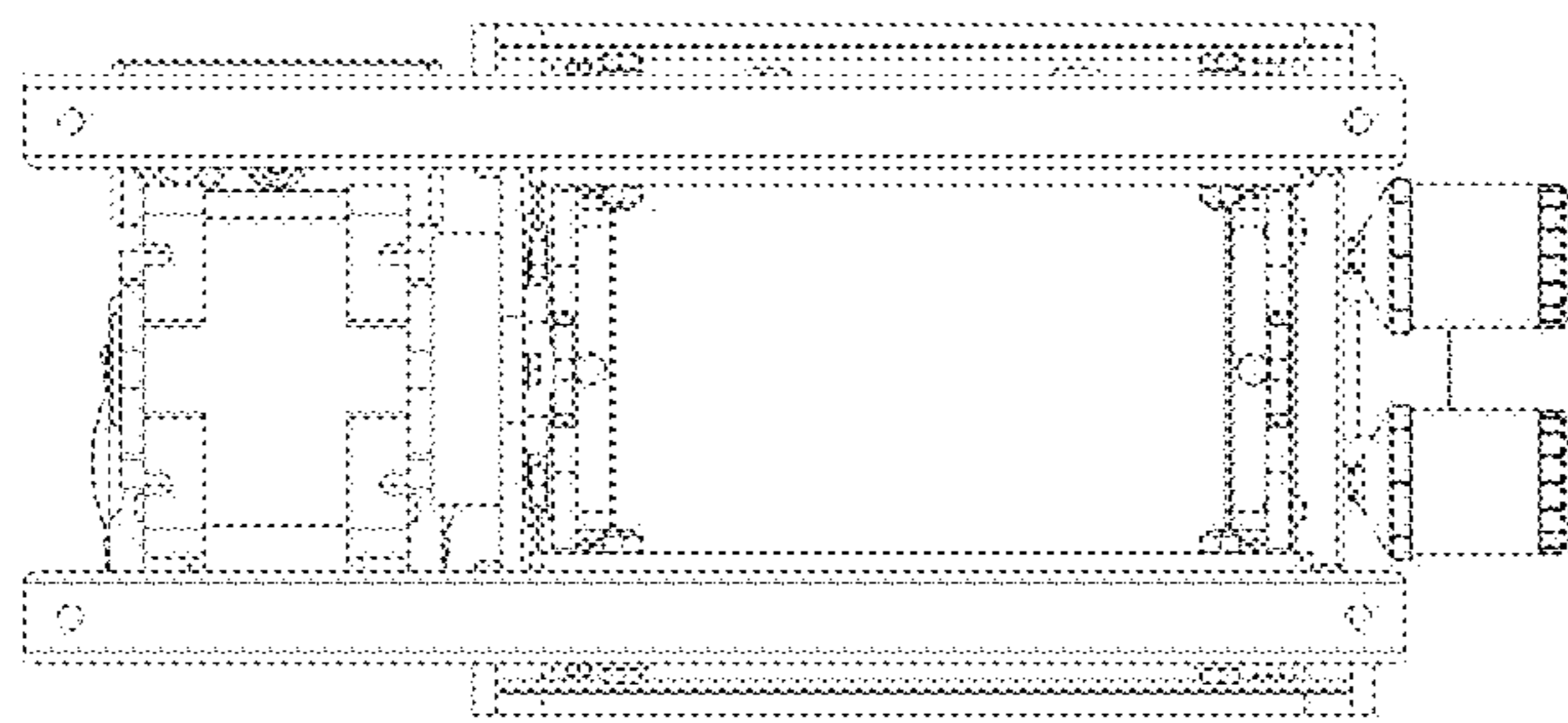


FIG. 7