



US00D803890S

(12) **United States Design Patent** (10) **Patent No.:** **US D803,890 S**  
**Hatesohl et al.** (45) **Date of Patent:** **\*\* Nov. 28, 2017**

(54) **PUMP CHASSIS**

(71) Applicant: **Kyphon SÀRL**, Neuchâtel (CH)  
(72) Inventors: **Brian Hatesohl**, Lawrence, KS (US);  
**Michael Alan Herron**, Overland Park, KS (US);  
**Natalia Burachynsky**, Toronto (CA);  
**Zhifeng Zhou**, Toronto (CA);  
**Nathan Dale**, Bothwell, WA (US);  
**Joseph Hoover**, Kansas City, MO (US)

(73) Assignee: **Kyphon SÀRL**, Neuchâtel (CH)

(\*\*) Term: **15 Years**

(21) Appl. No.: **29/548,256**

(22) Filed: **Dec. 11, 2015**

(51) **LOC (10) Cl.** ..... **15-02**

(52) **U.S. Cl.**  
USPC ..... **D15/7**

(58) **Field of Classification Search**  
USPC ..... D15/7-9; D23/231, 232, 225; 417/60,  
417/235, 265, 321, 355, 358, 363, 359,  
417/410.1, 415-416, 405, 900, 269, 539;  
60/408, 412; 184/26-37; 415/140-147;  
123/495, 509; 137/565.34  
CPC ..... F02M 37/04; F02M 37/14; F04B 53/92;  
F04B 1/005

See application file for complete search history.

(56) **References Cited**

**U.S. PATENT DOCUMENTS**

D374,075 S *	9/1996	Lee	.....	D15/7
D439,341 S *	3/2001	Tumey	.....	D15/7
D725,678 S *	3/2015	Sekula	.....	D15/7
D744,005 S *	11/2015	Anderson	.....	D15/7
D746,871 S *	1/2016	Anderson	.....	D15/7
D777,906 S *	1/2017	Anderson	.....	D24/111

**OTHER PUBLICATIONS**

Halyard. Cooled Radiofrequency Equipment—Peristaltic Pump Unit [Website]. <https://products.halyardhealth.com/pain-management/cooled-rf-radiofrequency/equipment-accessories/cooled-radiofrequency-equipment-peristaltic-pump-unit.html>. Published on Dec. 21, 2014 [Retrieved on Nov. 25, 2015].

RBC Medical Innovations. AdvantageRF [Website]. <http://www.rbccorp.com/advantage-rf/rf-generator>. Published on Dec. 3, 2015 [Retrieved on Dec. 3, 2015].

\* cited by examiner

*Primary Examiner* — Ralf Seifert

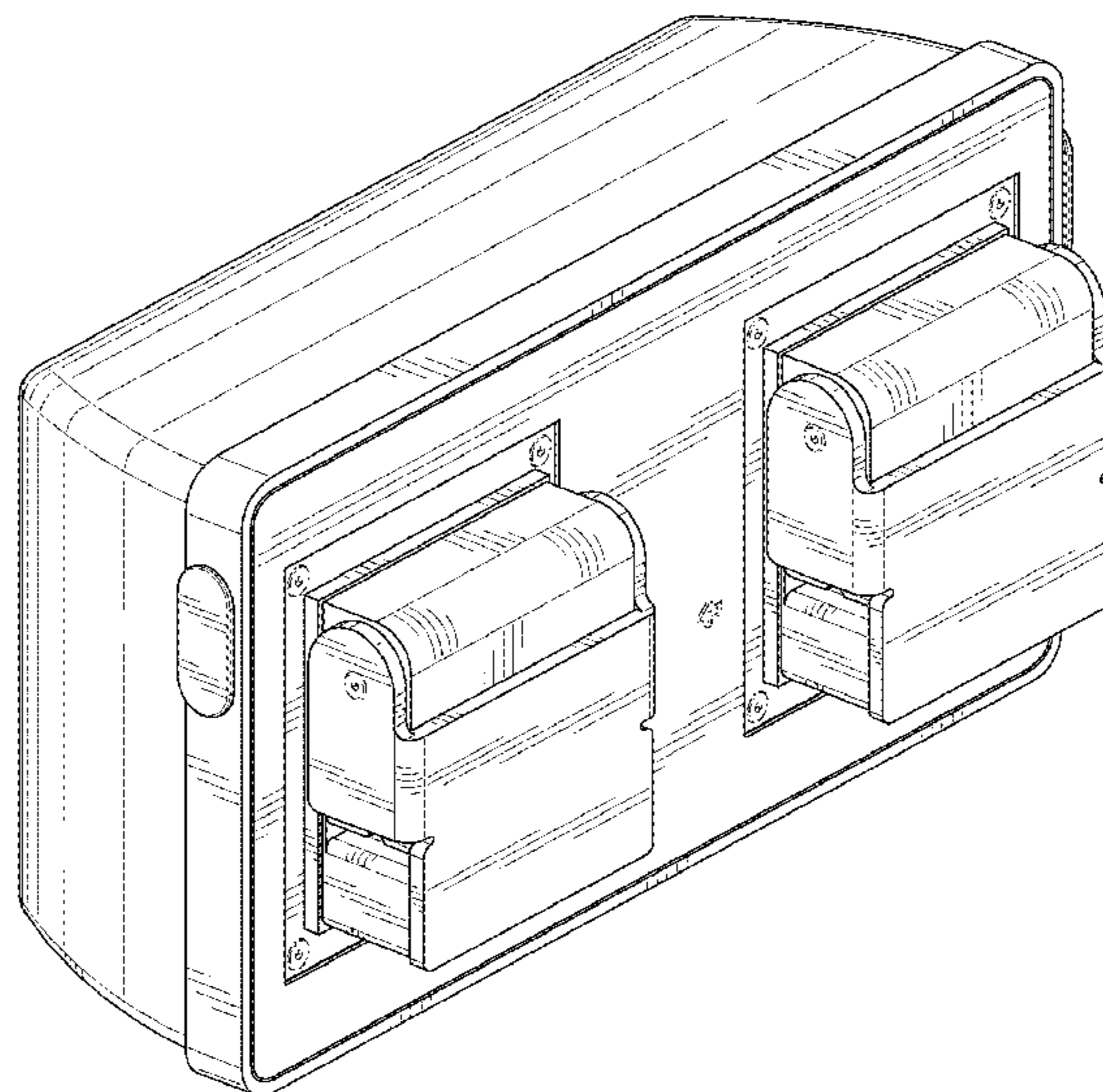
(57) **CLAIM**

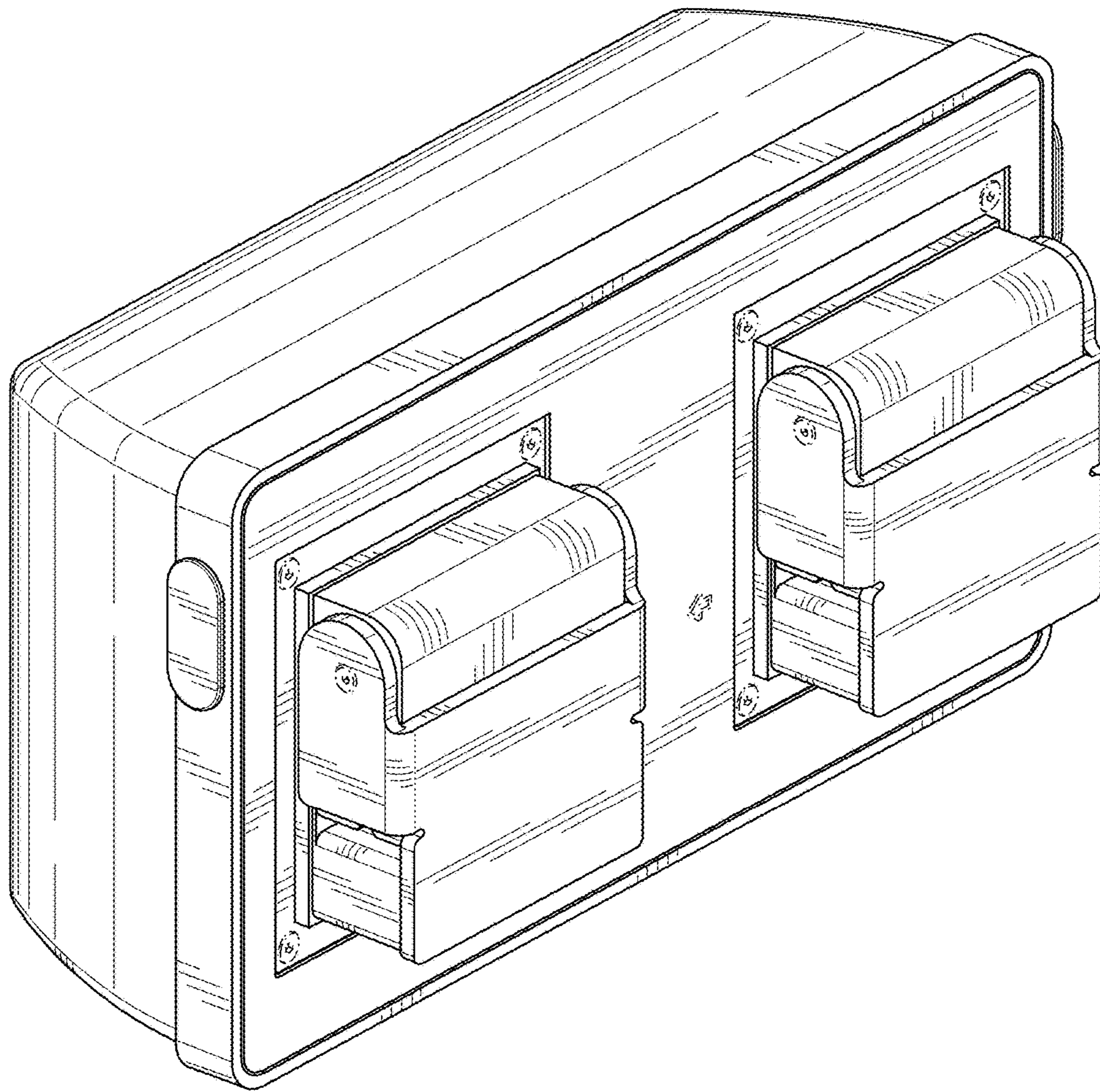
The ornamental design for a pump chassis, as shown and described.

**DESCRIPTION**

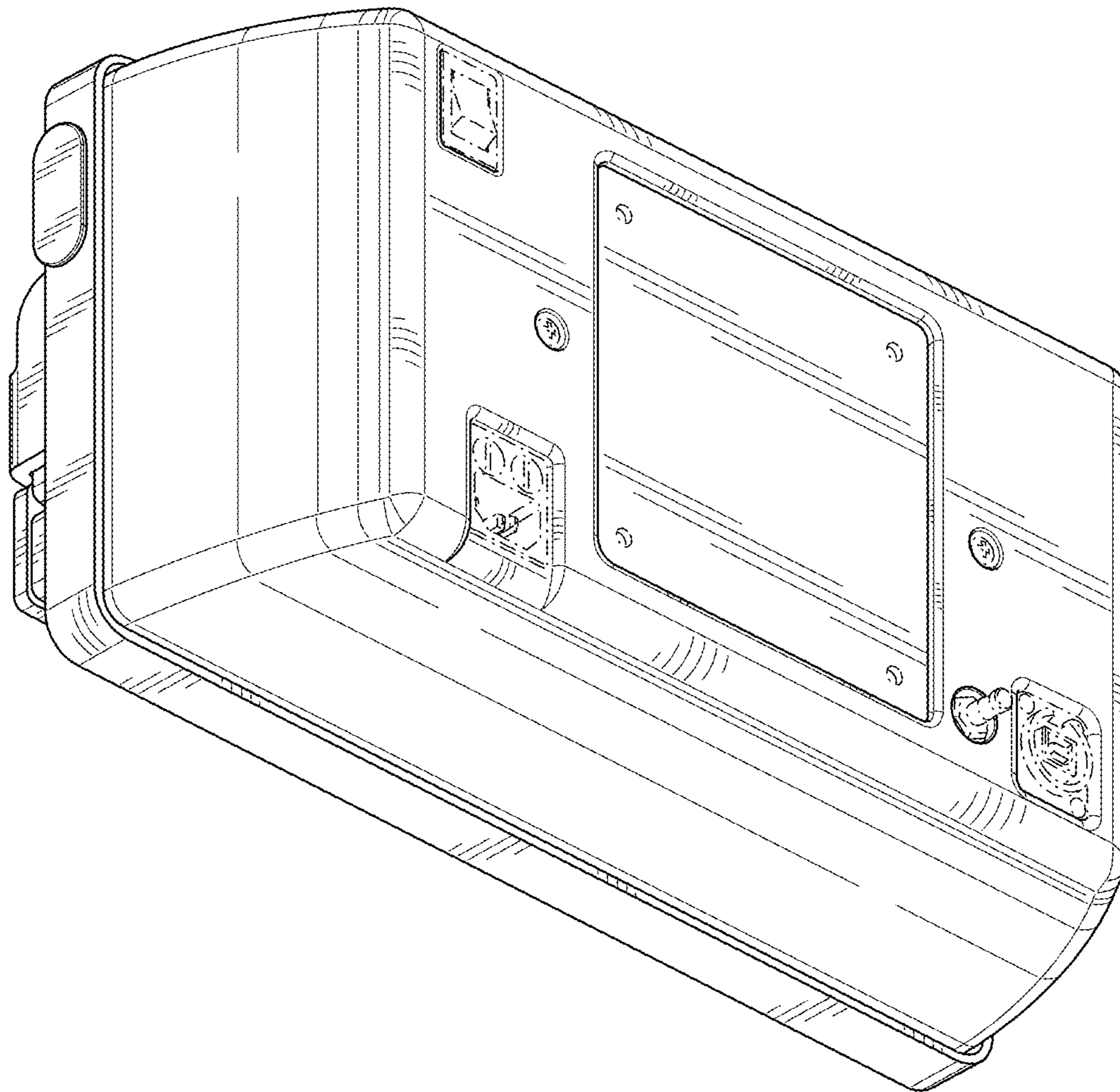
FIG. 1 is a left, front and top perspective view of a pump chassis, showing our new design;  
FIG. 2 is a right, back and bottom perspective view of the pump chassis hub of FIG. 1;  
FIG. 3 is a left side view of the pump chassis of FIG. 1;  
FIG. 4 is a front view of the pump chassis Hub of FIG. 1;  
FIG. 5 is a right side view of the pump chassis of FIG. 1;  
FIG. 6 is a back view of the pump chassis of FIG. 1;  
FIG. 7 is a top view of the pump chassis of FIG. 1; and,  
FIG. 8 is a bottom view of the pump chassis of FIG. 1.  
The broken lines immediately adjacent the shaded areas represent the bounds of the claimed design while all other broken lines are directed to environment and are for illustrative purposes only; the broken lines form no part of the claimed design.

**1 Claim, 5 Drawing Sheets**

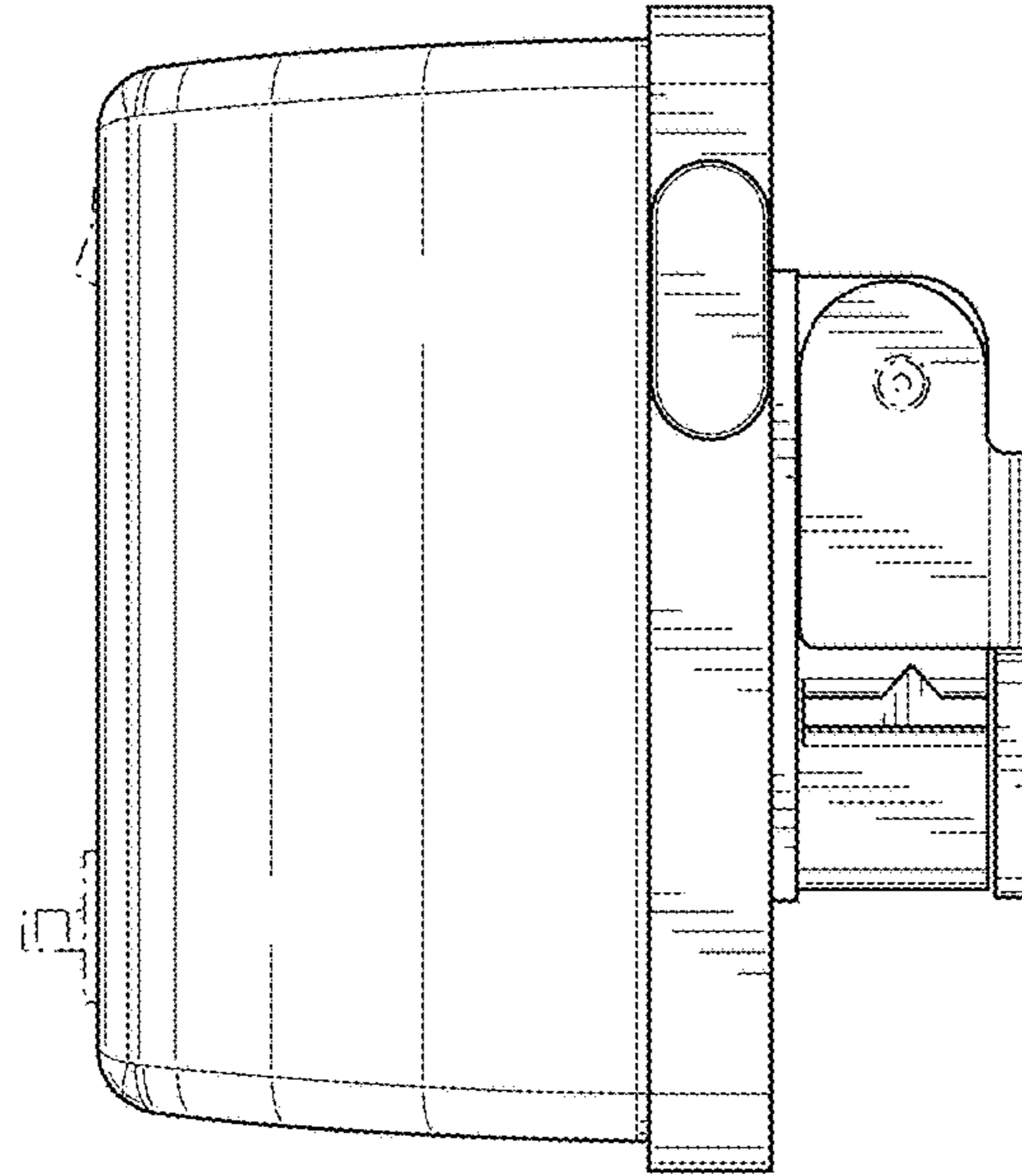




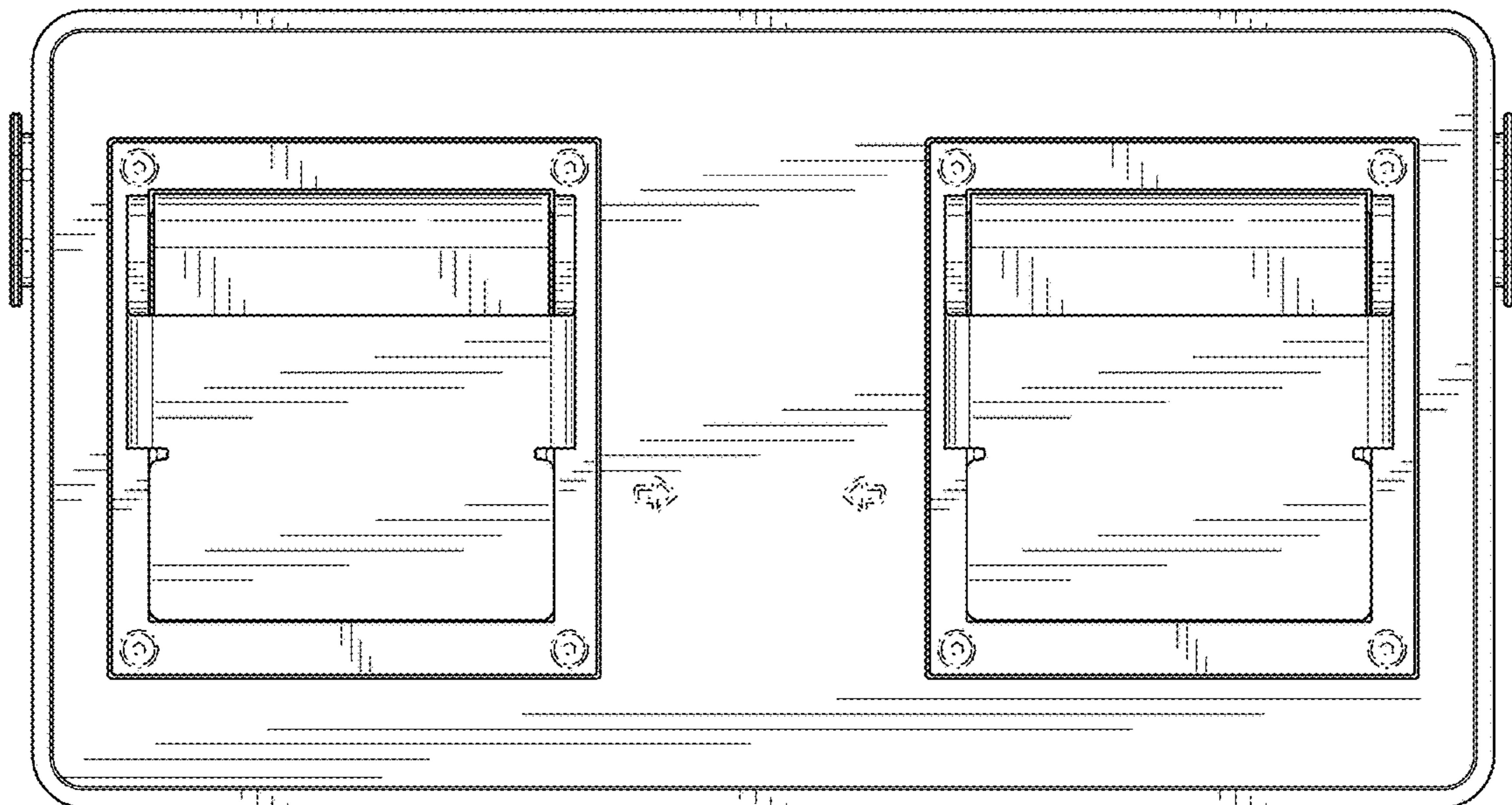
**FIG. 1**



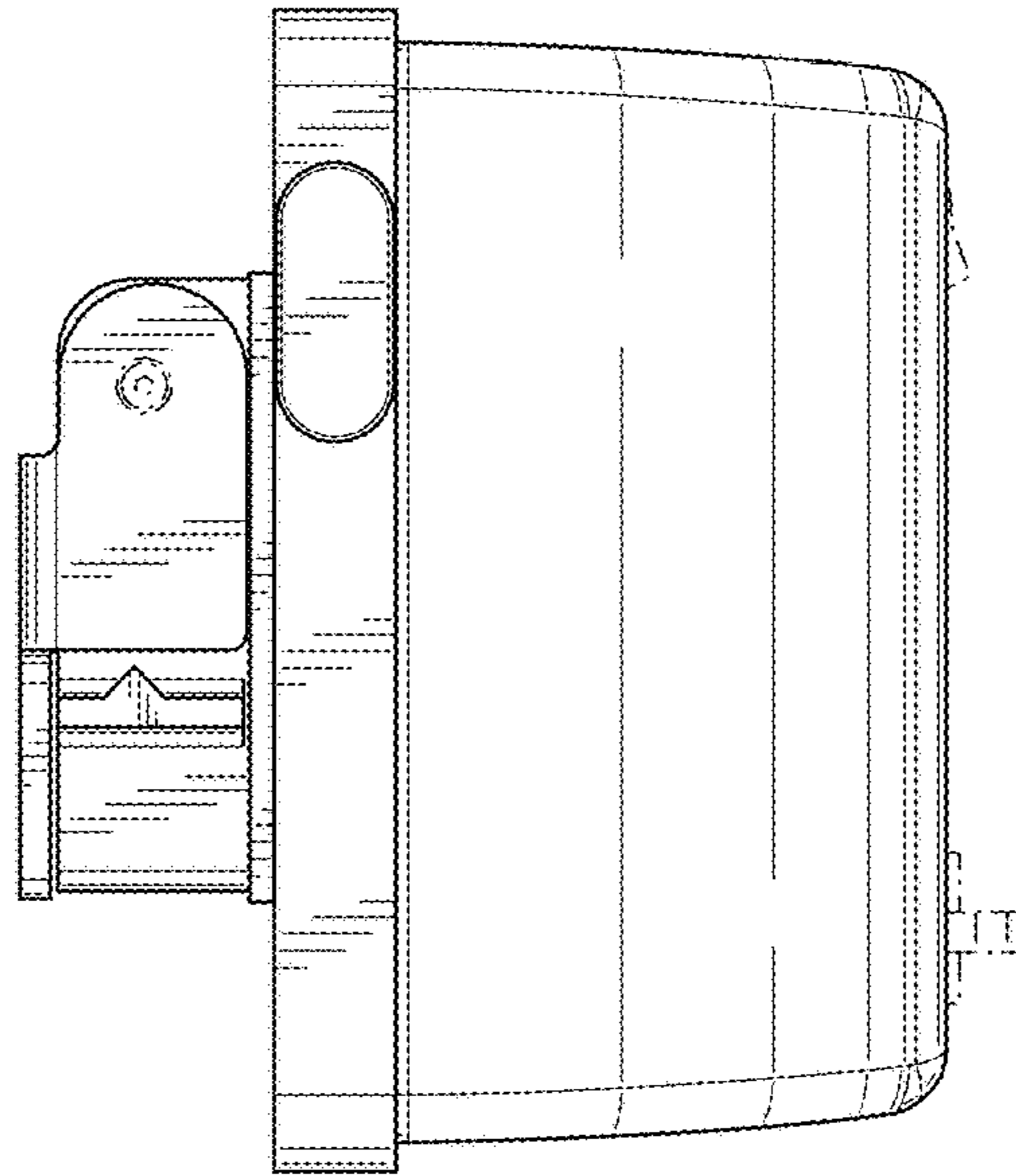
**FIG. 2**



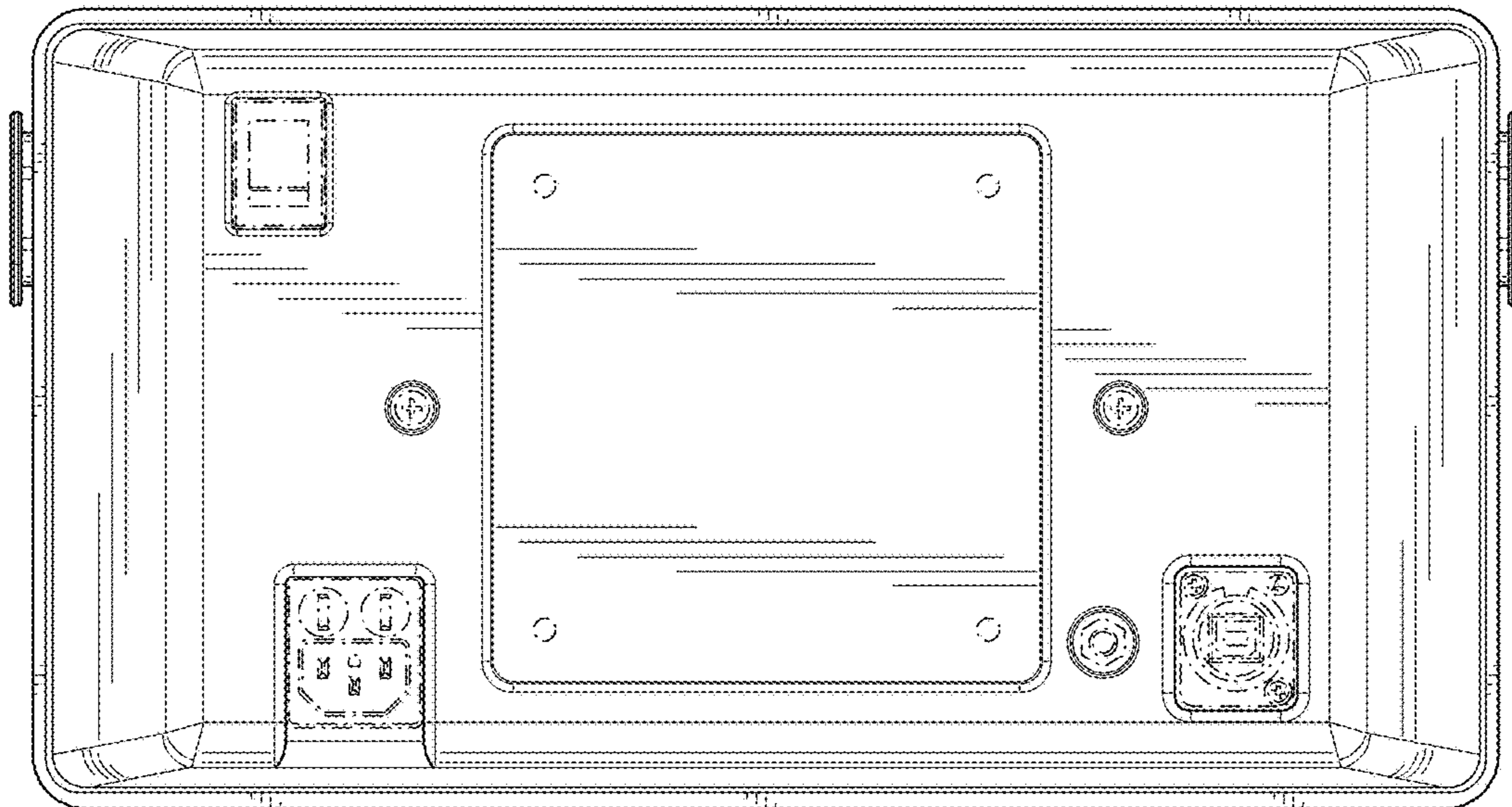
**FIG. 3**



**FIG. 4**



**FIG. 5**



**FIG. 6**

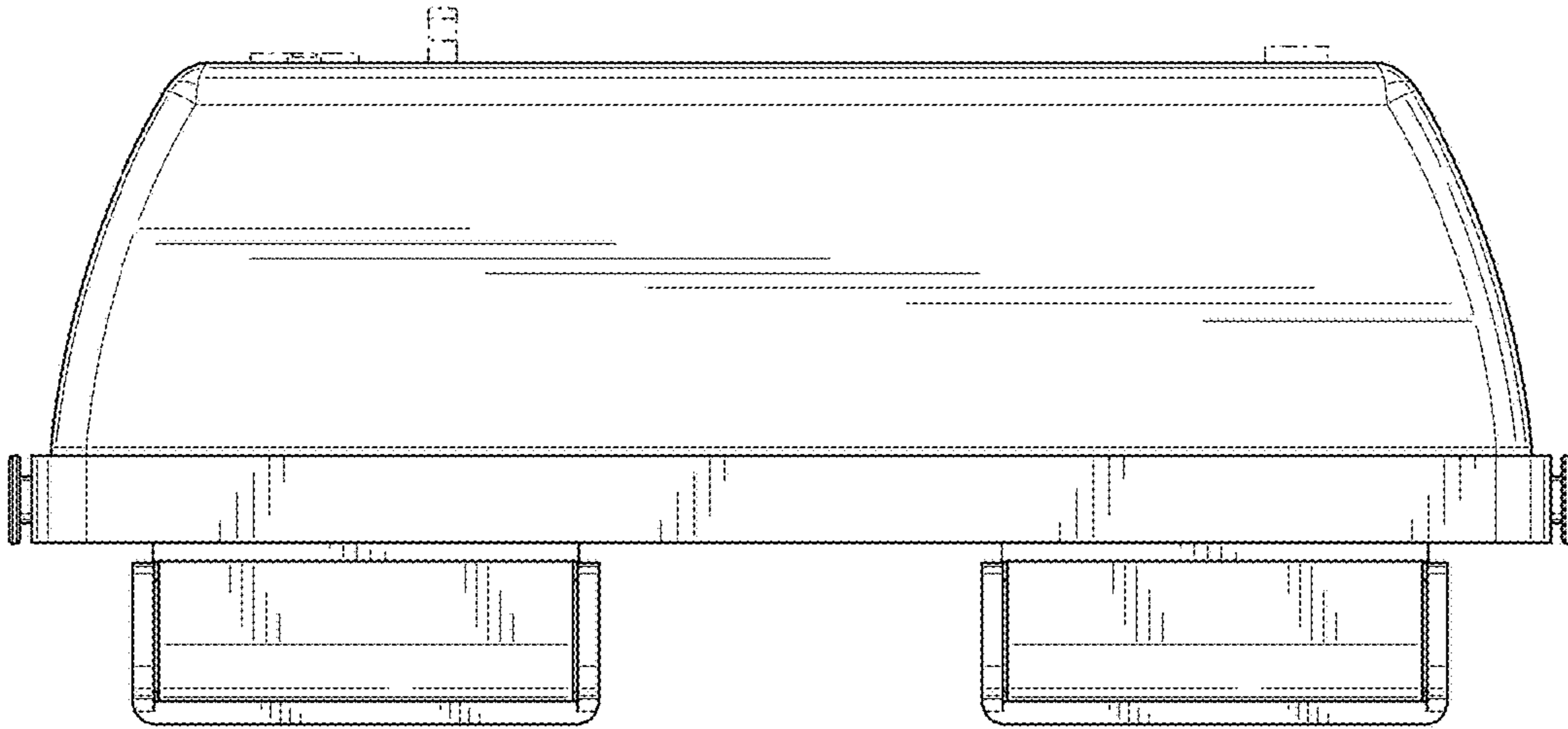


FIG. 7

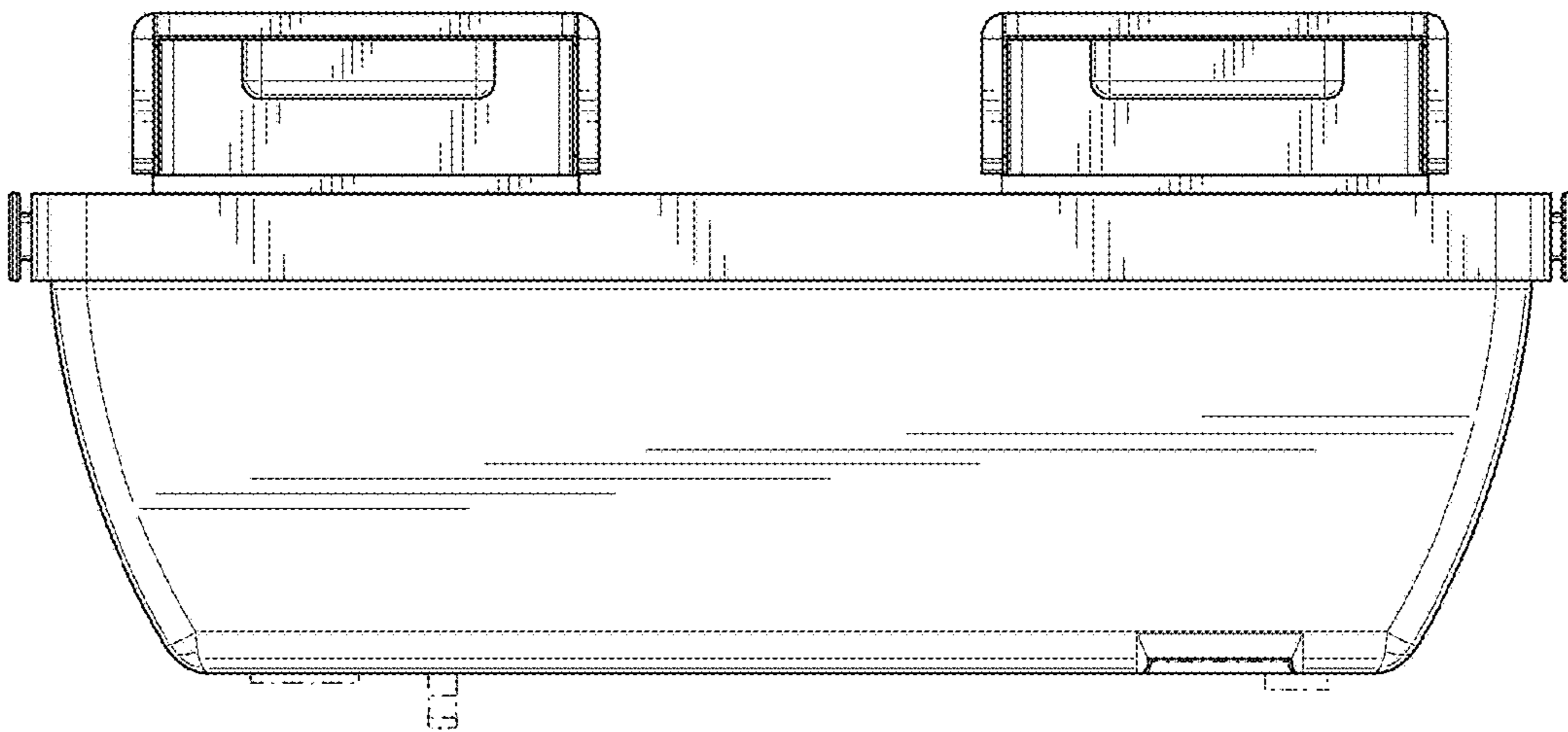


FIG. 8