



US00D803843S

(12) **United States Design Patent**  
**Chang et al.**

(10) **Patent No.:** **US D803,843 S**

(45) **Date of Patent:** **\*\* Nov. 28, 2017**

(54) **LIGHTNING FLASH DRIVE**  
(71) Applicant: **ADAM ELEMENTS INTERNATIONAL CO., LTD.**, Taipei (TW)  
(72) Inventors: **Chung-Ying Chang**, Taipei (TW); **Hung-Yi Lin**, Taipei (TW); **Hao-Ming Chang**, Taipei (TW)  
(73) Assignee: **ADAM ELEMENTS INTERNATIONAL CO., LTD.**, Taipei (TW)

D623,192 S \* 9/2010 Peng ..... D14/480.6  
D624,553 S \* 9/2010 Mamone ..... D14/480.5  
D670,711 S \* 11/2012 Ma ..... D14/480.1  
8,514,560 B2 \* 8/2013 Wu ..... H05K 5/0208  
361/679.31  
D711,891 S \* 8/2014 Emami ..... D14/480.5  
D721,714 S \* 1/2015 Enayati ..... D14/480.6  
D724,600 S \* 3/2015 Hsieh ..... D14/480.1  
D754,139 S \* 4/2016 Billington ..... D14/480.1  
D754,141 S \* 4/2016 Billington ..... D14/480.6  
9,431,747 B1 \* 8/2016 Huang ..... H01R 13/44  
2011/0237099 A1 \* 9/2011 Ni ..... G06K 19/07732  
439/142

\* cited by examiner

(\*\*) Term: **15 Years**

*Primary Examiner* — Angela J Lee

(21) Appl. No.: **29/580,514**

(74) *Attorney, Agent, or Firm* — Leong C. Lei

(22) Filed: **Oct. 11, 2016**

(30) **Foreign Application Priority Data**

May 27, 2016 (TW) ..... 105303029

(51) **LOC (10) Cl.** ..... **14-02**

(52) **U.S. Cl.**  
USPC ..... **D14/480.6**

(58) **Field of Classification Search**  
USPC ..... D14/480.1–480.7, 435.1, 411, 433, 436,  
D14/484.1, 137, 155, 203.1–203.8, 240,  
D14/242; D13/133, 154  
CPC ..... H05K 5/0278; G06K 19/07732  
See application file for complete search history.

(56) **References Cited**

**U.S. PATENT DOCUMENTS**

D581,926 S \* 12/2008 Kim ..... D14/480.6  
D620,015 S \* 7/2010 Nan ..... D14/480.6

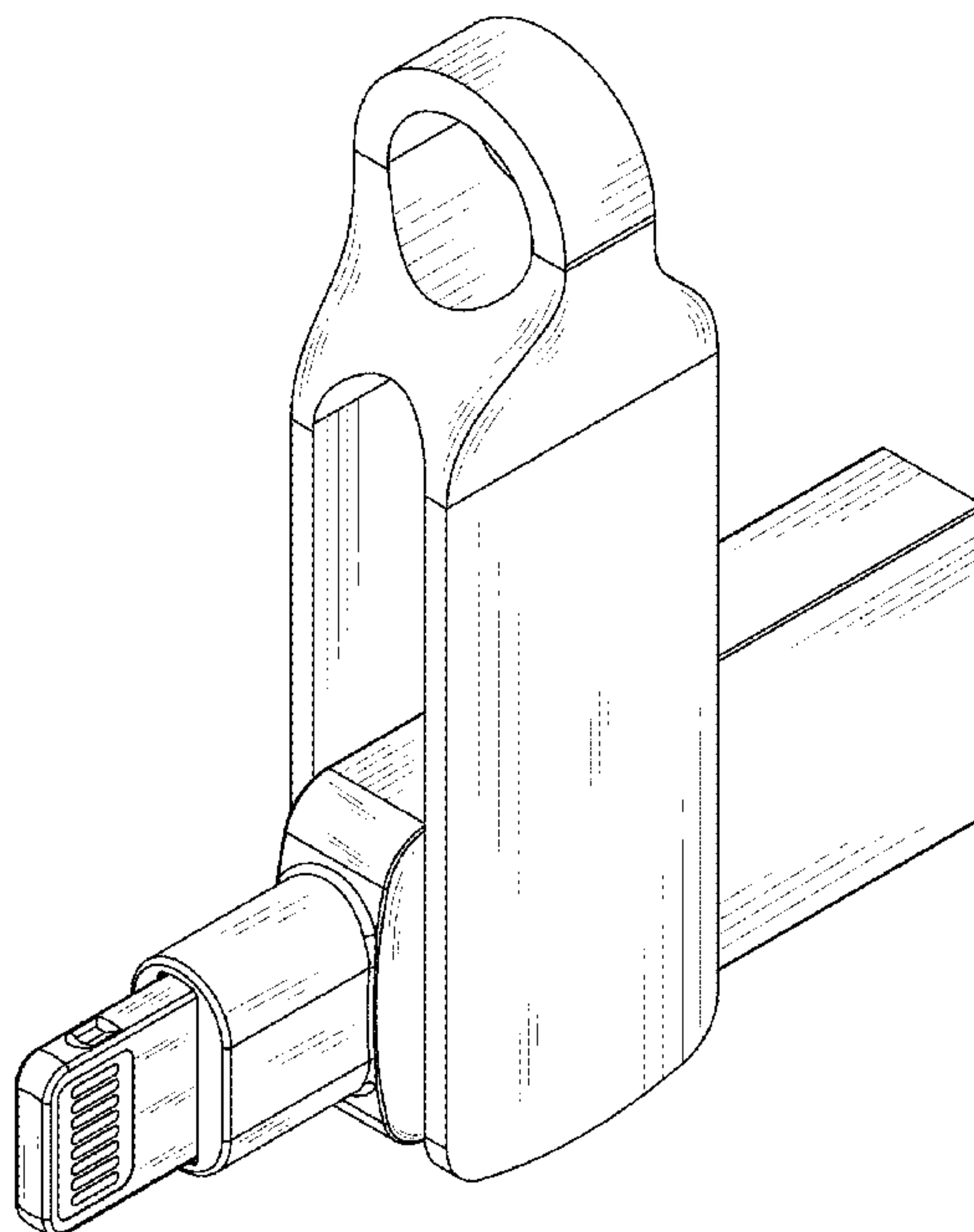
(57) **CLAIM**

The ornamental design for a lightning flash drive, as shown and described.

**DESCRIPTION**

FIG. 1 is a perspective view of a lightning flash drive showing our new design;  
FIG. 2 is a front elevational view thereof;  
FIG. 3 is a rear elevational view thereof;  
FIG. 4 is a left side view thereof;  
FIG. 5 is a right side view thereof;  
FIG. 6 is a top plan view thereof;  
FIG. 7 is a bottom plan view thereof;  
FIG. 8 is another perspective view thereof; and,  
FIG. 9 is another perspective view thereof.

**1 Claim, 6 Drawing Sheets**



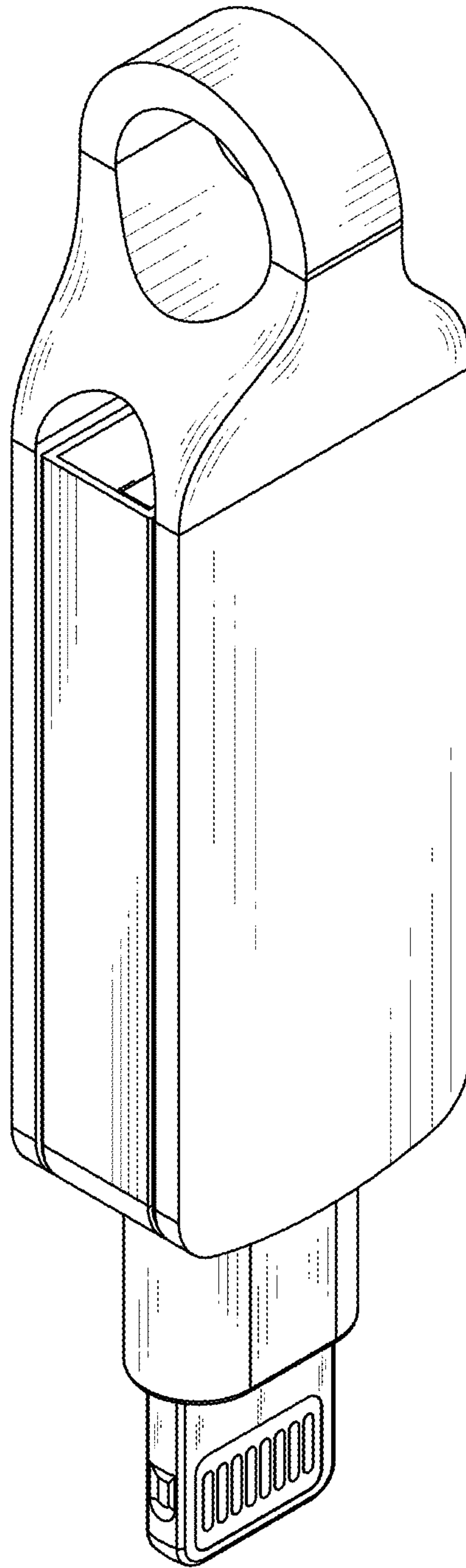


Fig. 1

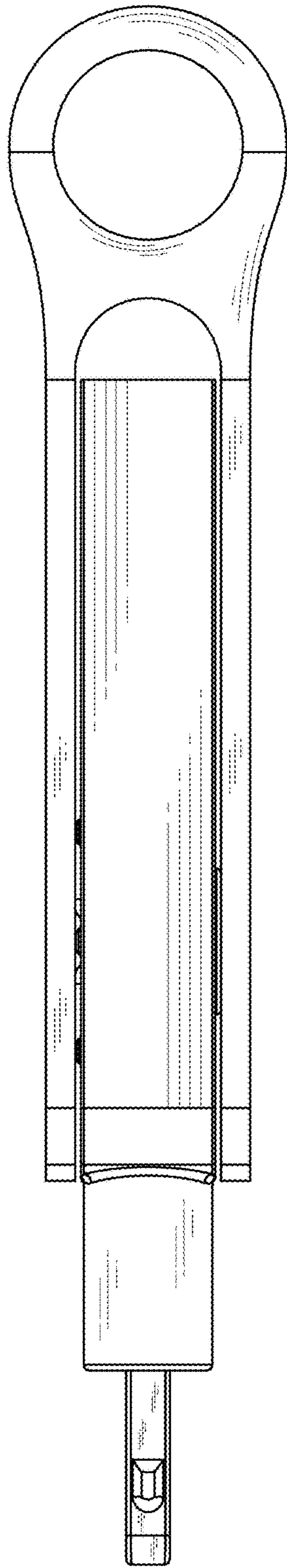


Fig. 2

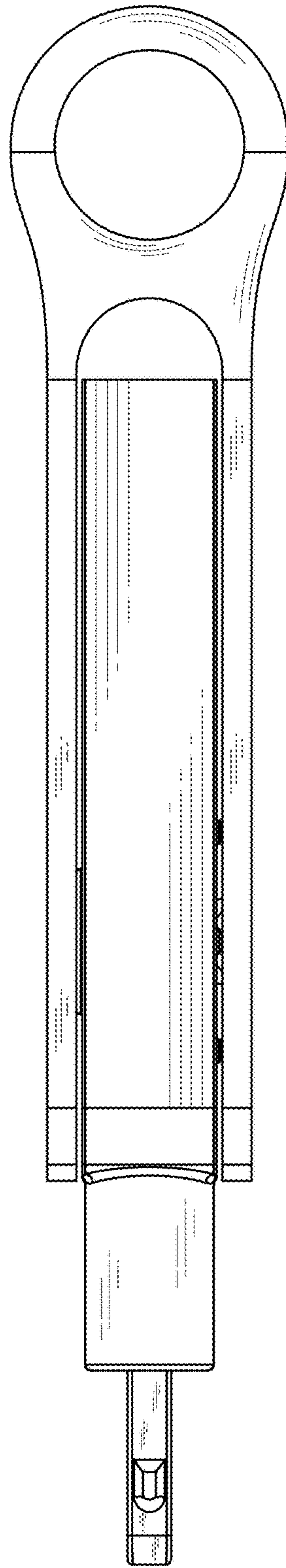


Fig. 3

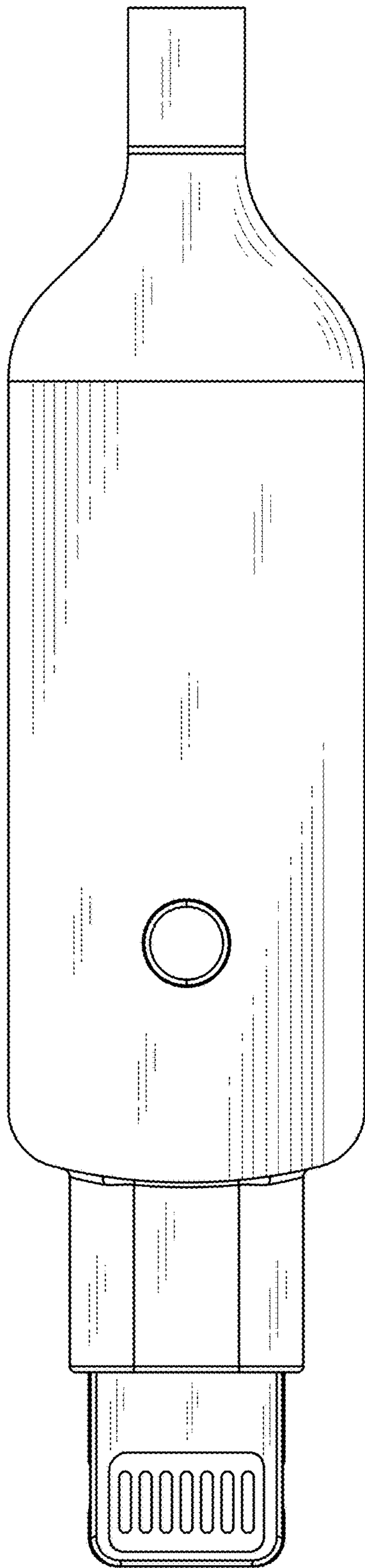


Fig. 4

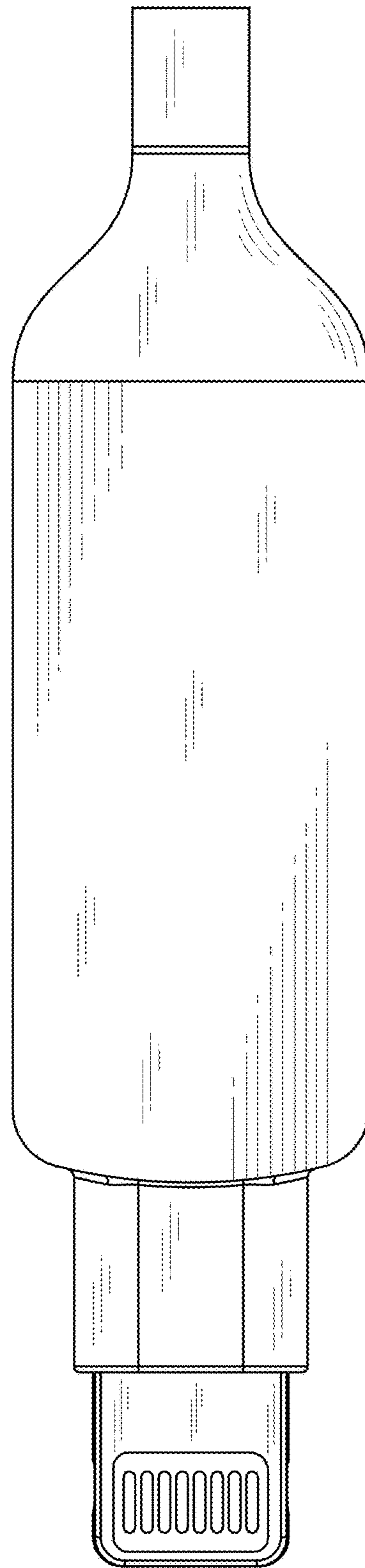


Fig. 5

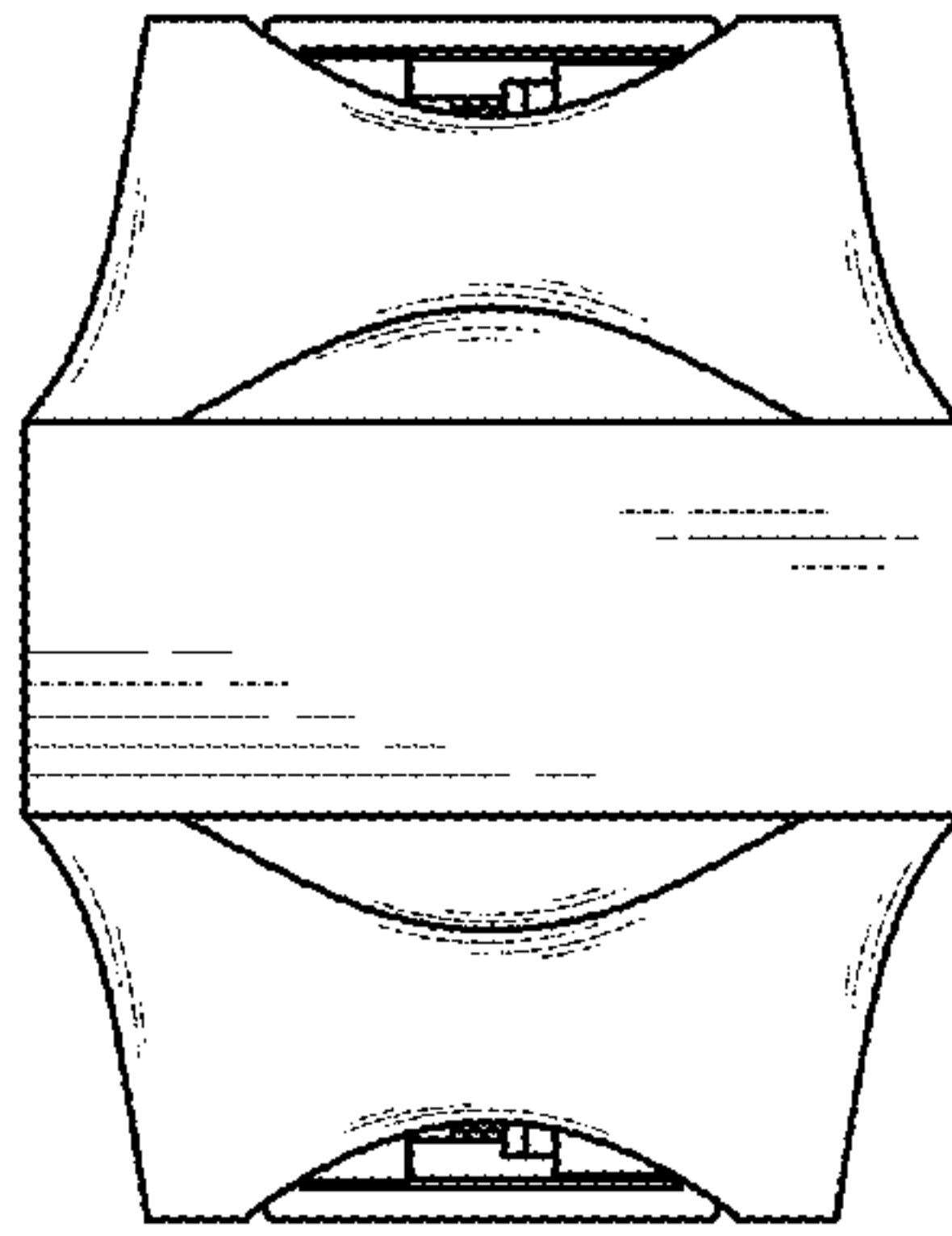


Fig. 6

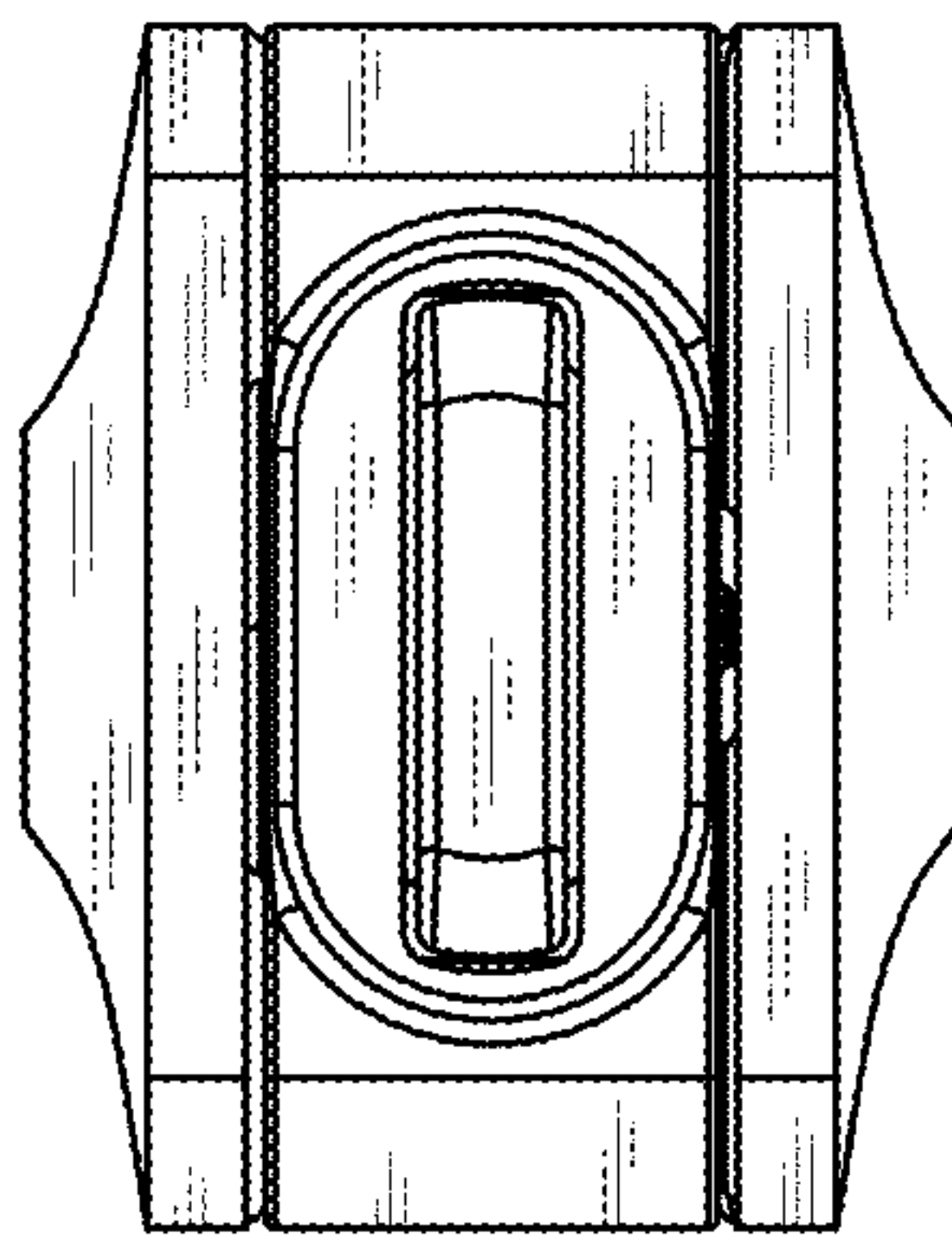


Fig. 7



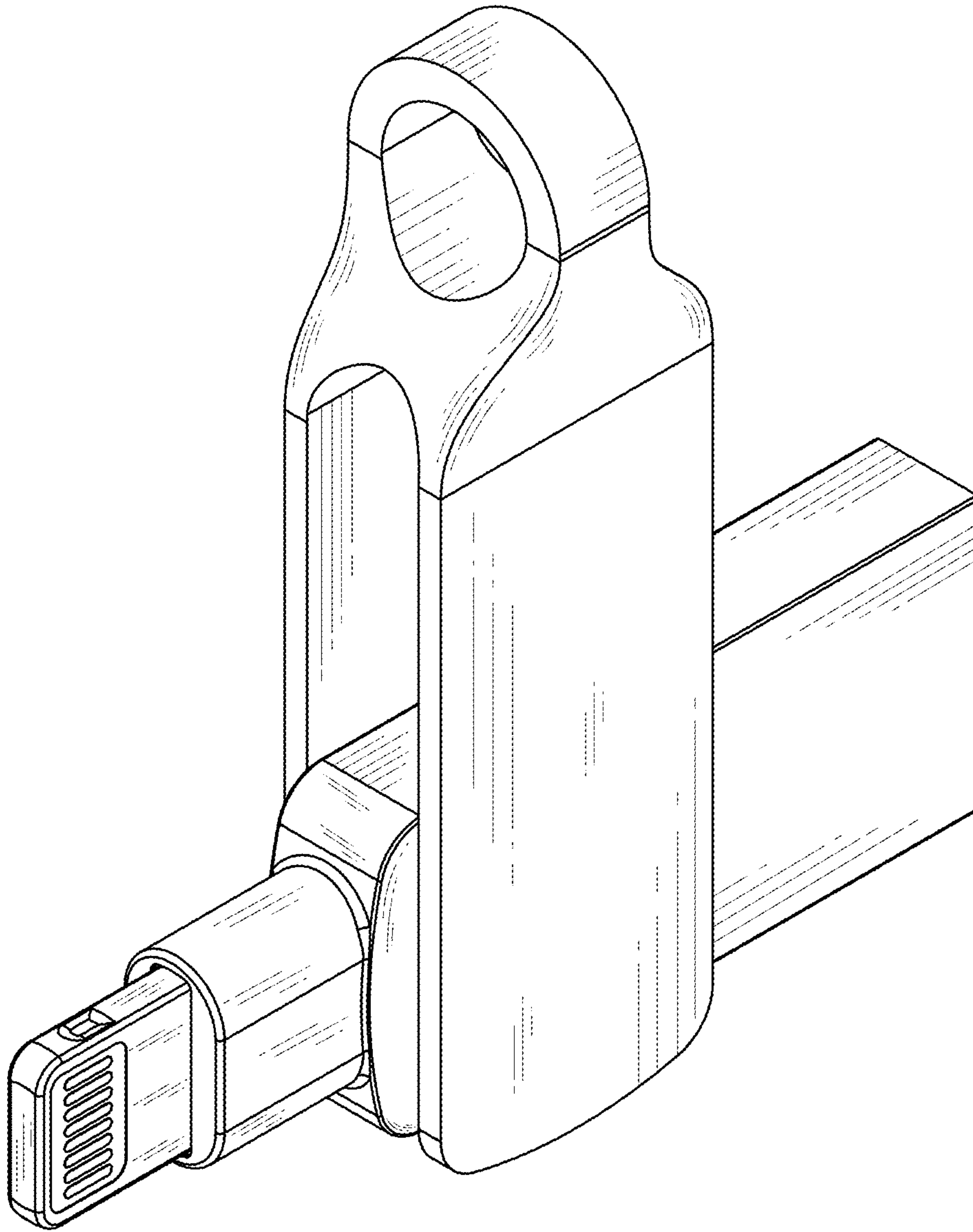


Fig. 8

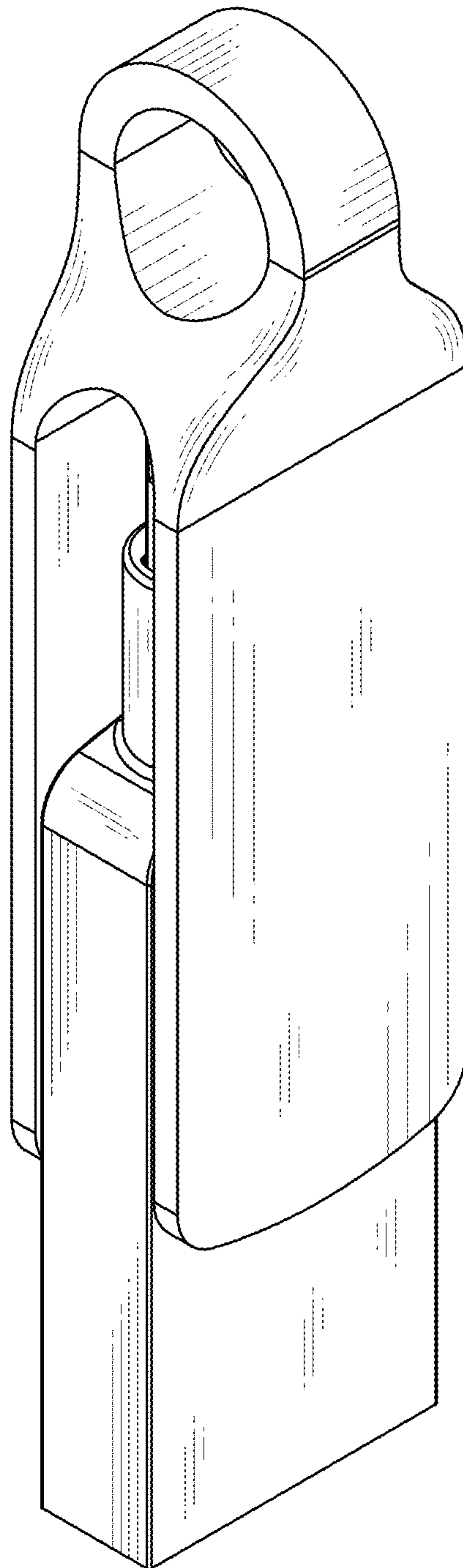


Fig. 9