



US00D803842S

(12) **United States Design Patent**
Daniel

(10) **Patent No.:** **US D803,842 S**

(45) **Date of Patent:** **** Nov. 28, 2017**

(54) **USB DONGLE FOR CONTROLLING A WIRELESS MOUSE**

(71) Applicant: **Isaac S. Daniel**, Miramar, FL (US)

(72) Inventor: **Isaac S. Daniel**, Miramar, FL (US)

(**) Term: **15 Years**

(21) Appl. No.: **29/570,547**

(22) Filed: **Jul. 8, 2016**

(51) **LOC (10) Cl.** **14-03**

(52) **U.S. Cl.**
USPC **D14/480.3**

(58) **Field of Classification Search**
USPC D14/435.1, 480.1-480.7
CPC H05K 5/0278; G06K 19/07732
See application file for complete search history.

(56) **References Cited**

U.S. PATENT DOCUMENTS

D492,307 S *	6/2004	Aqqad	D14/480.5
D527,477 S *	8/2006	Chen	D14/480.3
D555,158 S *	11/2007	Lo	D14/480.5
D610,134 S *	2/2010	Gotzen	D14/188
D610,156 S *	2/2010	Mudrick	D14/480.5
D624,553 S *	9/2010	Mamone	D14/480.5
D671,123 S *	11/2012	Ni	D14/480.1
D711,389 S *	8/2014	Sun	D14/480.5

D711,891 S *	8/2014	Emami	D14/480.5
D727,015 S *	4/2015	Arrindell	D14/435.1
D729,277 S *	5/2015	Uchida	D14/435.1
D754,142 S *	4/2016	Shih-Huang	D14/480.7
D784,357 S *	4/2017	Mombauer	D14/480.5

* cited by examiner

Primary Examiner — Angela J Lee

(74) *Attorney, Agent, or Firm* — Alberto Interian III, Esq.

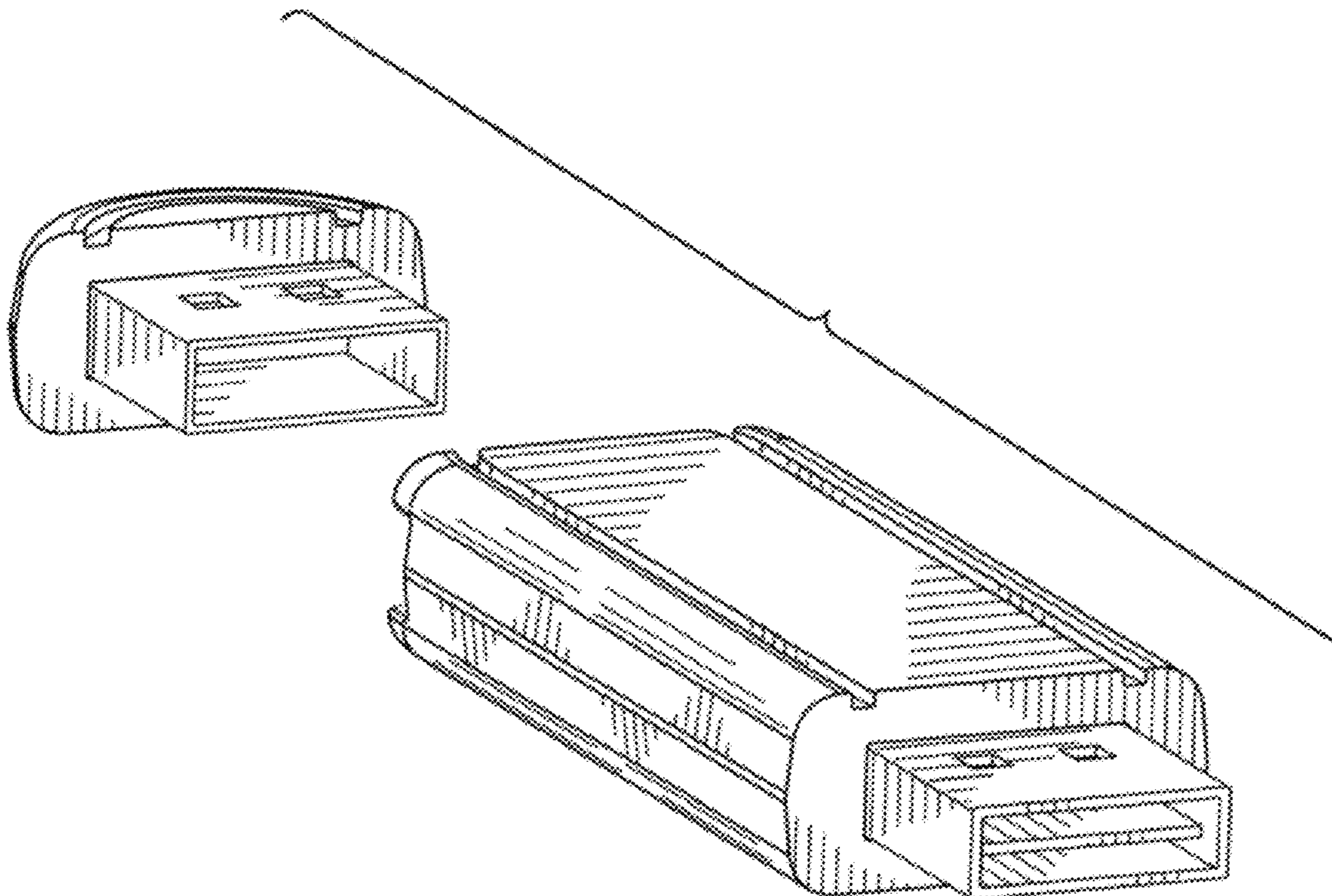
(57) **CLAIM**

The ornamental design for a USB dongle for controlling a wireless mouse, as shown and described.

DESCRIPTION

FIG. 1 is a right side perspective view of the apparatus.
 FIG. 2 is a right side exploded perspective view of the apparatus.
 FIG. 3 is a left side perspective view of the apparatus.
 FIG. 4 is a left side exploded perspective view of the apparatus.
 FIG. 5 is a top perspective view of the apparatus.
 FIG. 6 is a top exploded perspective view of the apparatus.
 FIG. 7 is a front plan view of the apparatus.
 FIG. 8 is a front exploded plan view of the apparatus.
 FIG. 9 is a rear plan view of the apparatus.
 FIG. 10 is a rear exploded plan view of the apparatus.
 FIG. 11 is a right side view of the apparatus.
 FIG. 12 is a top plan view of the apparatus; and,
 FIG. 13 is a bottom plan view of the apparatus.

1 Claim, 6 Drawing Sheets



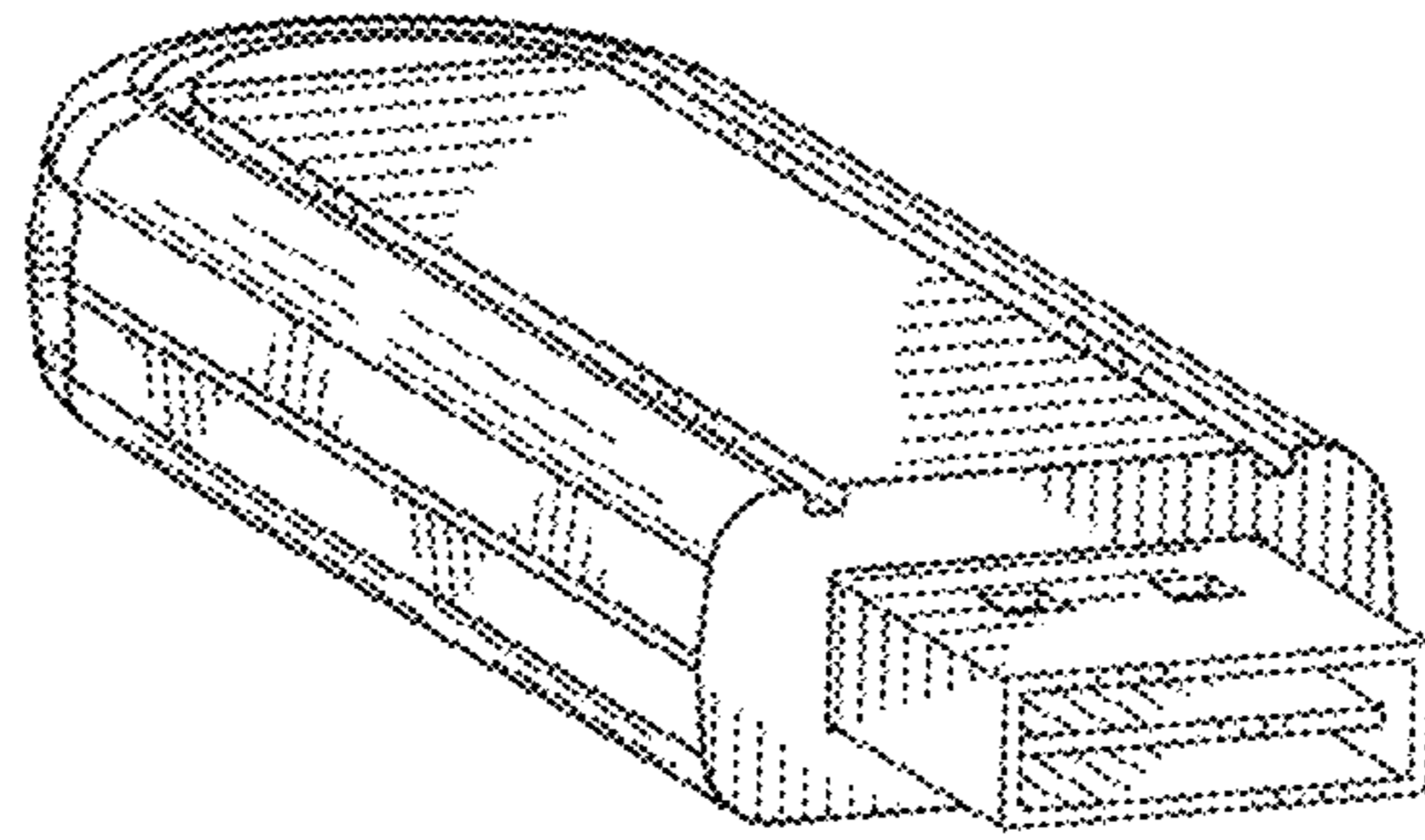


FIG. 1

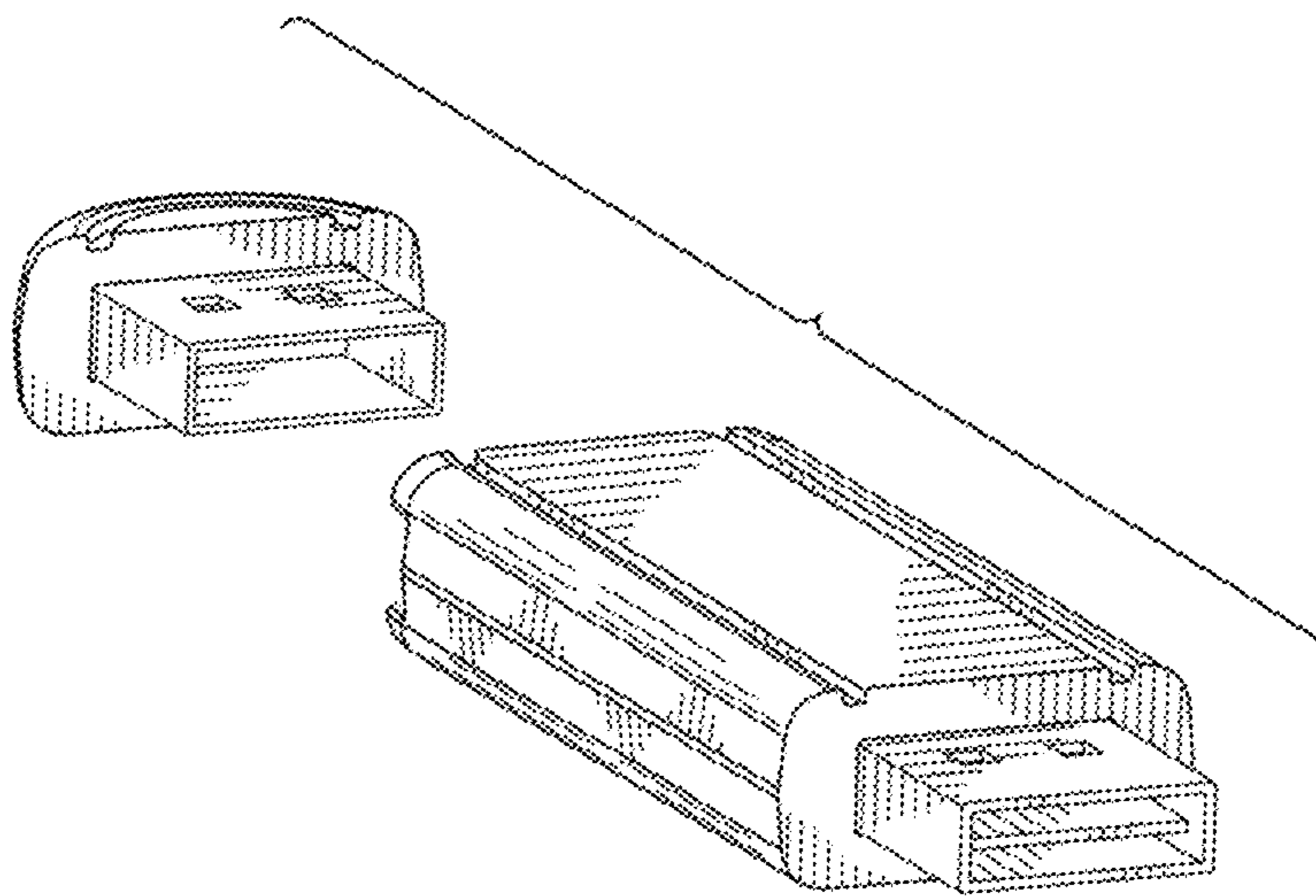


FIG. 2

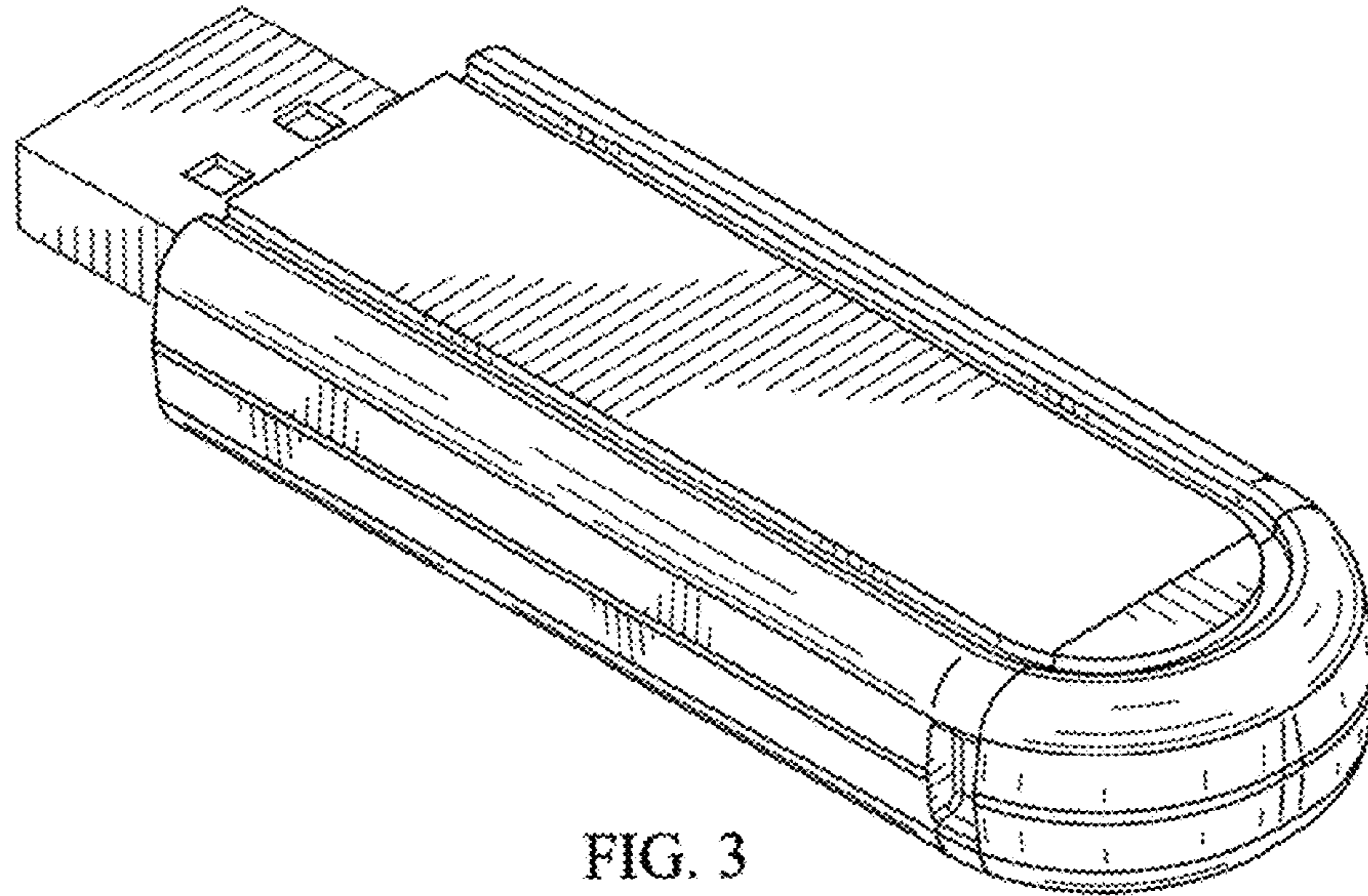


FIG. 3

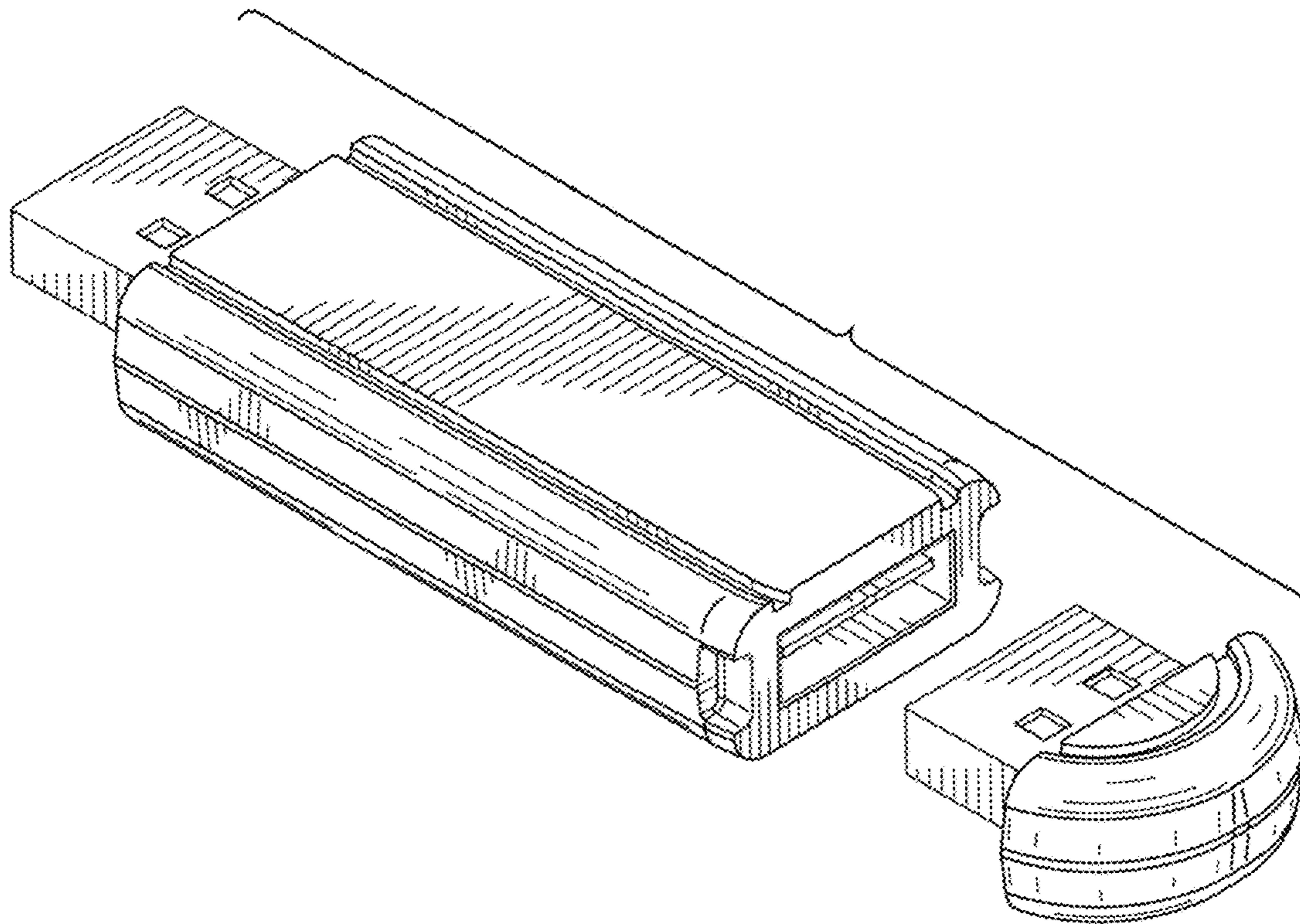


FIG. 4

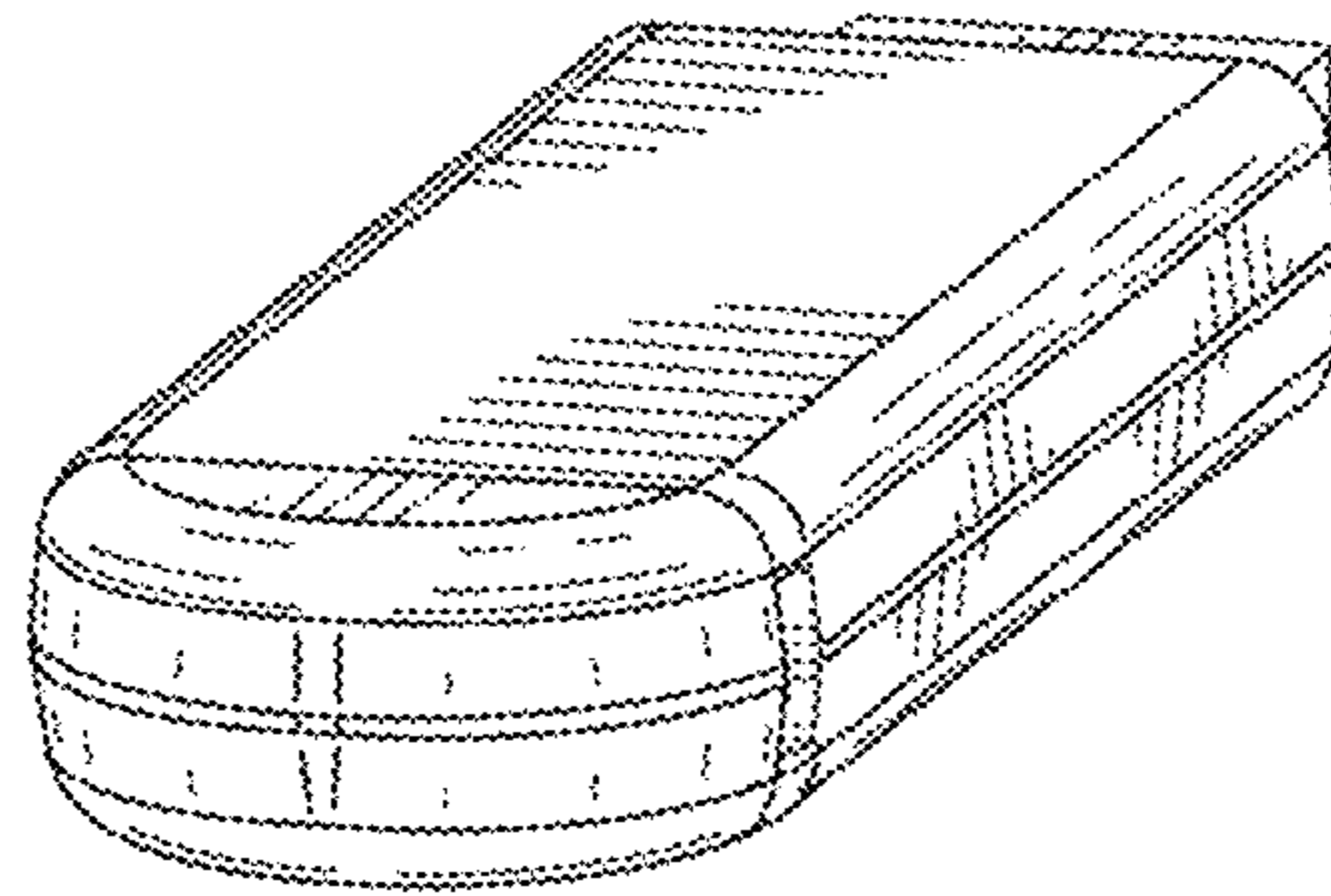


FIG. 5

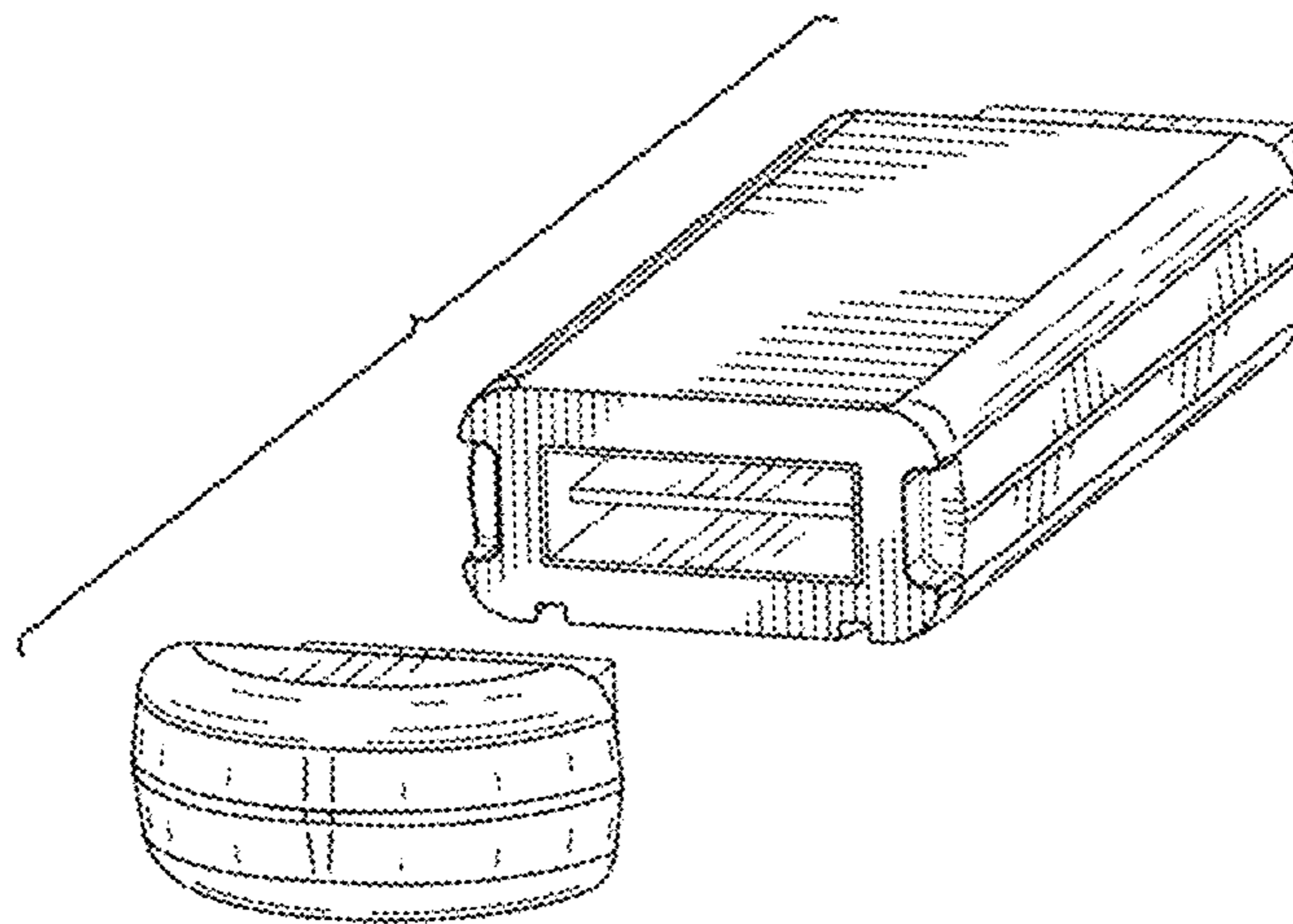


FIG. 6

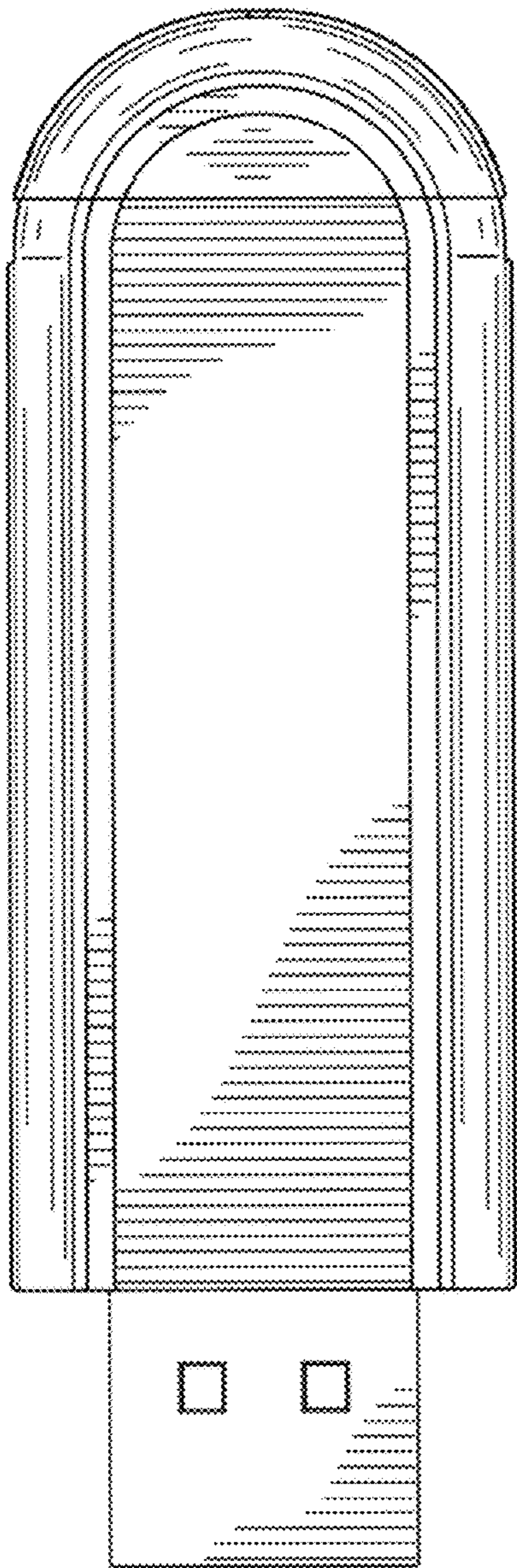


FIG. 7

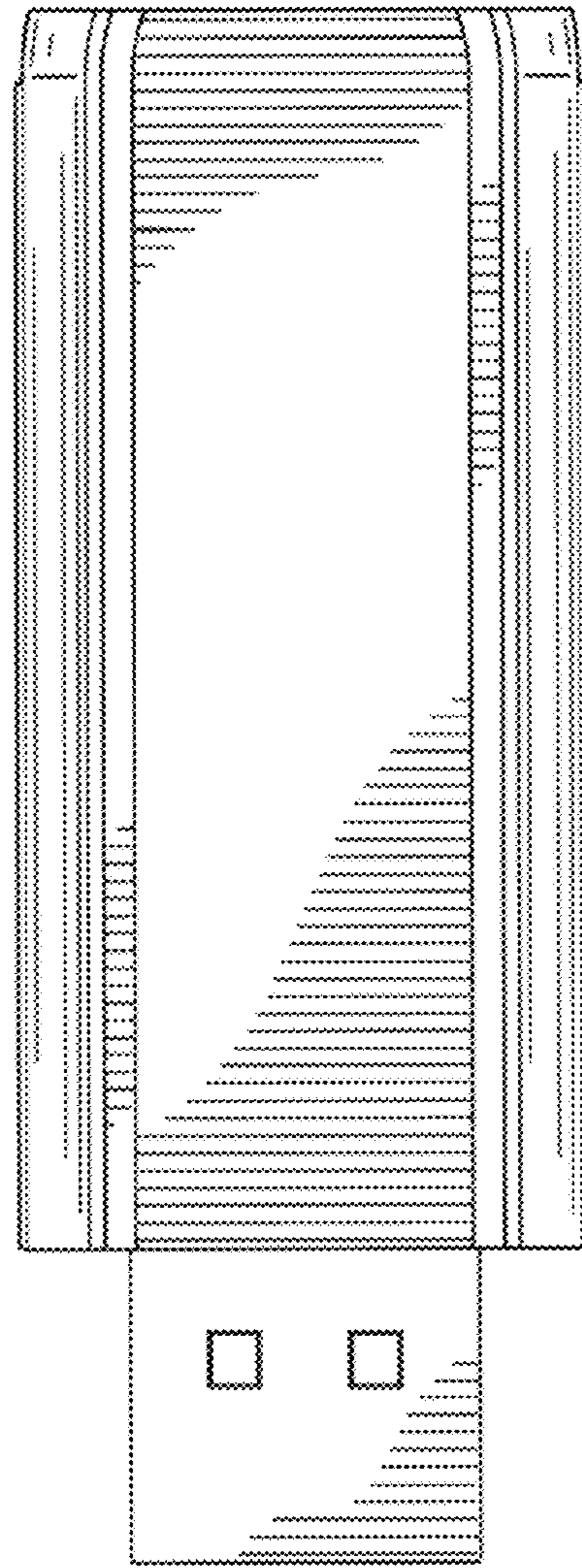
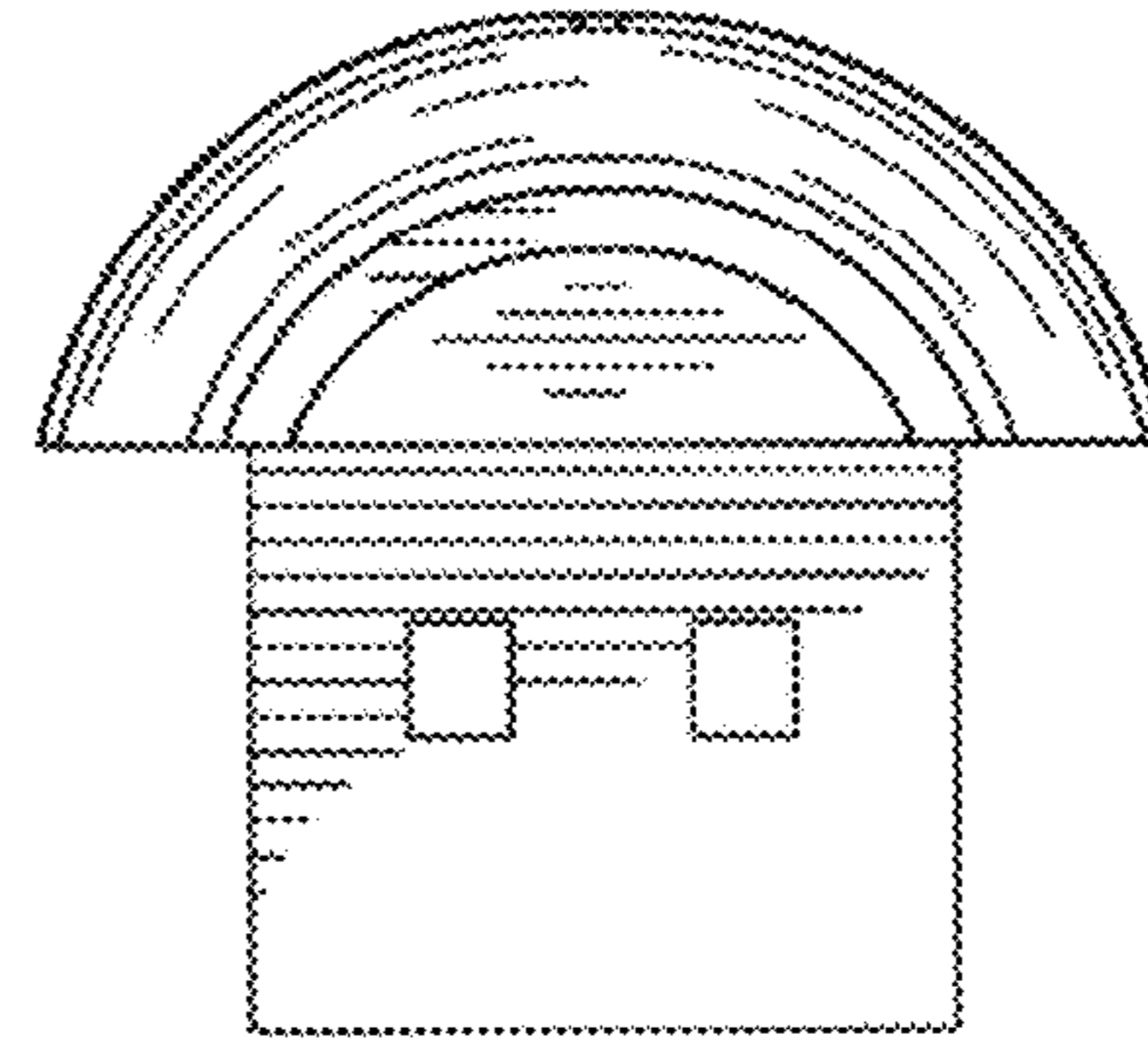


FIG. 8

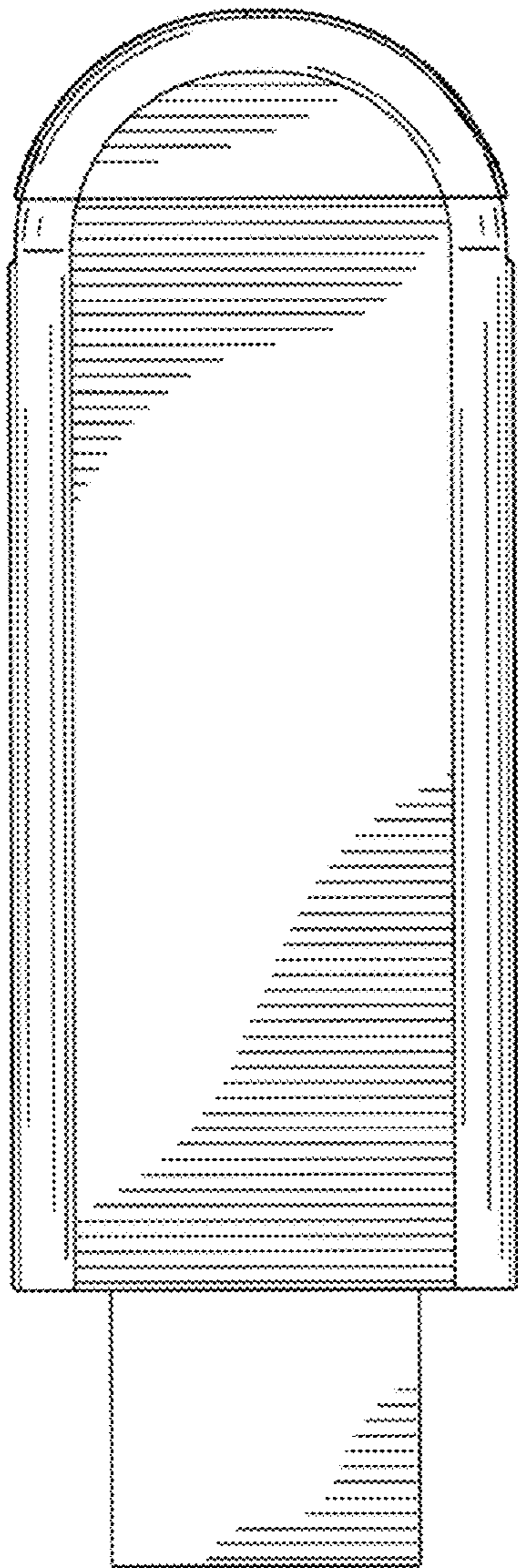


FIG. 9

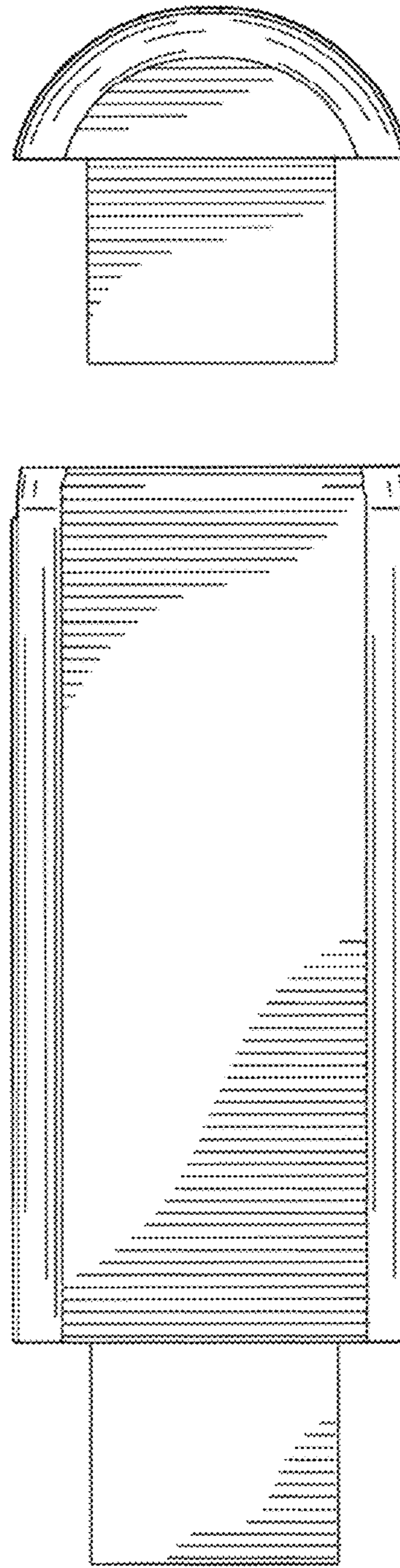


FIG. 10

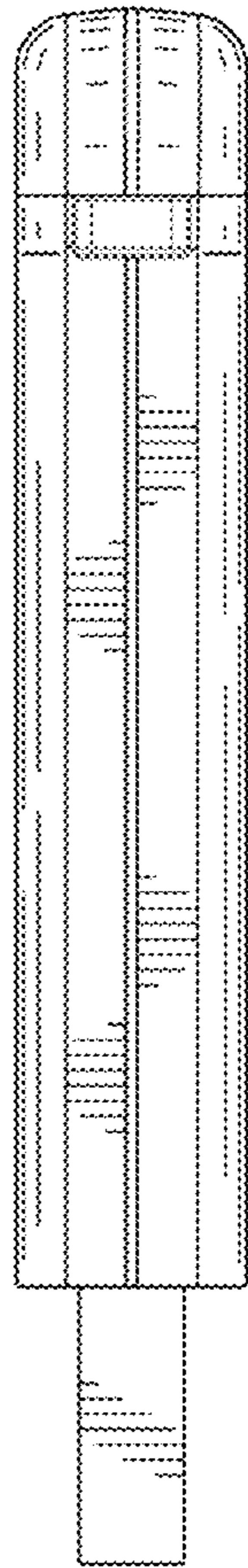


FIG. 11

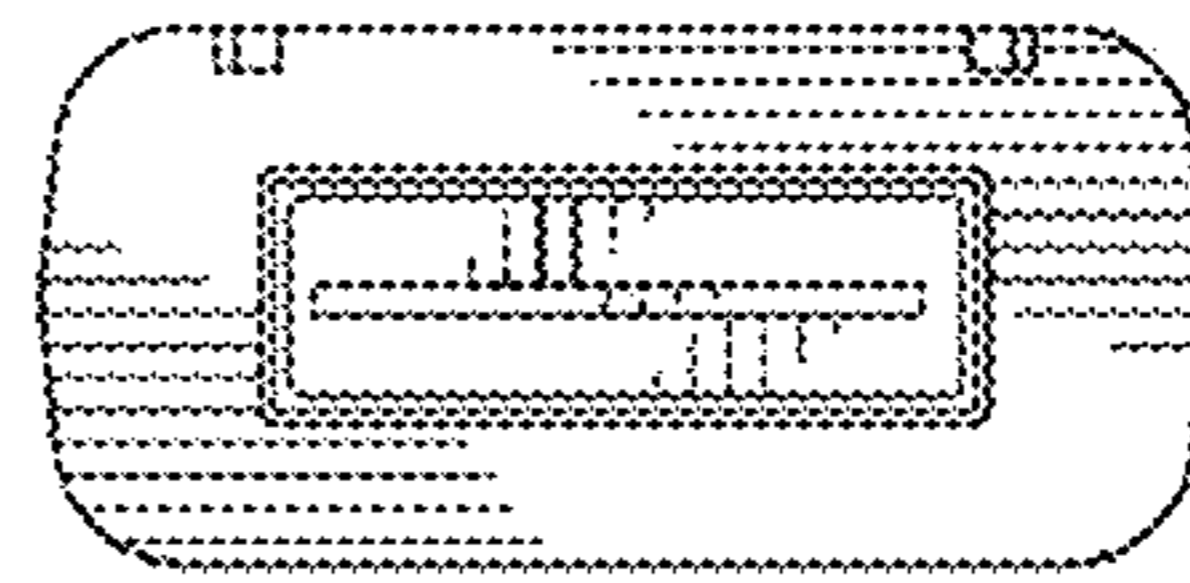


FIG. 12

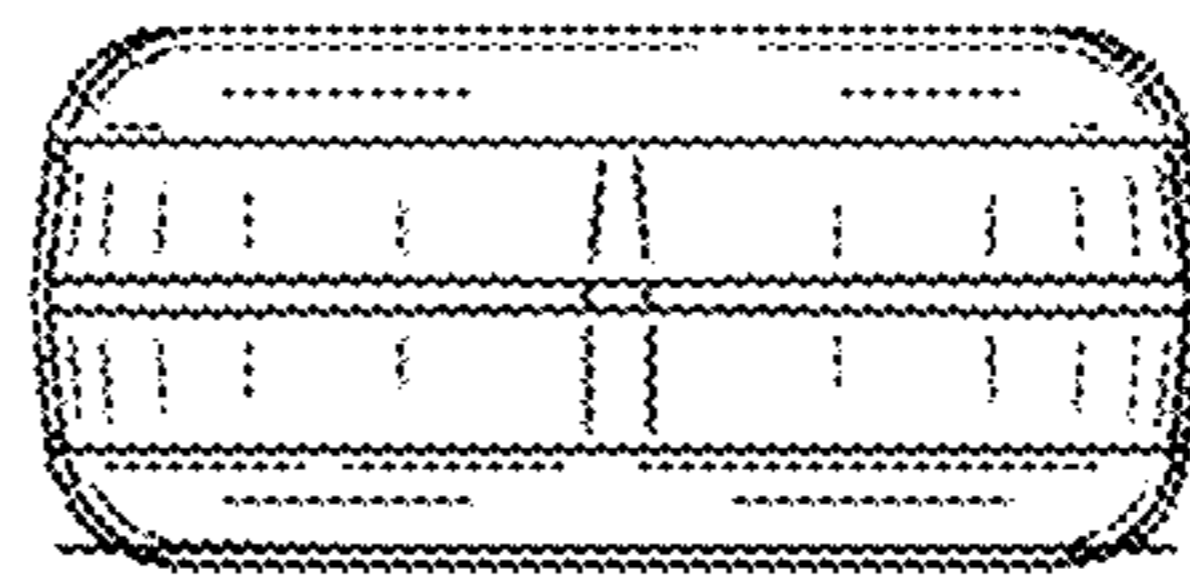


FIG. 13