



US00D803840S

(12) **United States Design Patent**
Burmester

(10) **Patent No.:** **US D803,840 S**

(45) **Date of Patent:** **** Nov. 28, 2017**

(54) **SUPPORT FOR COMPUTER TERMINALS,
MOBILE PAYMENT TERMINALS, AND
COMPUTER KEYBOARDS**

(71) Applicant: **Ergonomic Solutions International
Limited**, Epsom, Surrey (GB)

(72) Inventor: **Benny Burmester**, Norresundby (DK)

(73) Assignee: **ERGONOMIC SOLUTIONS
INTERNATIONAL LIMITED**,
Epsom, Surrey (GB)

(**) Term: **15 Years**

(21) Appl. No.: **29/588,957**

(22) Filed: **Dec. 26, 2016**

(51) **LOC (10) Cl.** **08-07**

(52) **U.S. Cl.**
USPC **D14/447**

(58) **Field of Classification Search**
USPC D14/447, 432, 434, 439, 440, 451, 452,
D14/457, 239; D8/363, 373, 380, 406.3,
D8/406.4, 406.5, 406.6; D12/415
CPC A47B 21/04; A47B 2097/006; A47B
2097/005; A47B 2023/049; A45C
2011/002; A45C 2011/003; F16M
2200/00; F16M 13/00

See application file for complete search history.

(56) **References Cited**

U.S. PATENT DOCUMENTS

D337,333 S * 7/1993 Turk D14/251
D530,333 S * 10/2006 Richter D14/251

D545,826 S * 7/2007 Richter D14/251
D576,615 S * 9/2008 Richter D14/253
D591,755 S * 5/2009 Richter D14/253
D626,541 S * 11/2010 Kim D14/253
D629,405 S * 12/2010 Crysell D14/447
D663,972 S * 7/2012 Alexander D6/682
D693,352 S * 11/2013 Gelsomini D14/447
D704,713 S * 5/2014 Liniger D14/447
D771,614 S * 11/2016 Chang D14/253
D792,413 S * 7/2017 Floersch D14/447
2007/0012825 A1* 1/2007 Yeh F16M 11/105
248/122.1

* cited by examiner

Primary Examiner — Angela J Lee

(74) *Attorney, Agent, or Firm* — Brent P. Johnson; Berg
Hill Greenleaf Ruscitti LLP

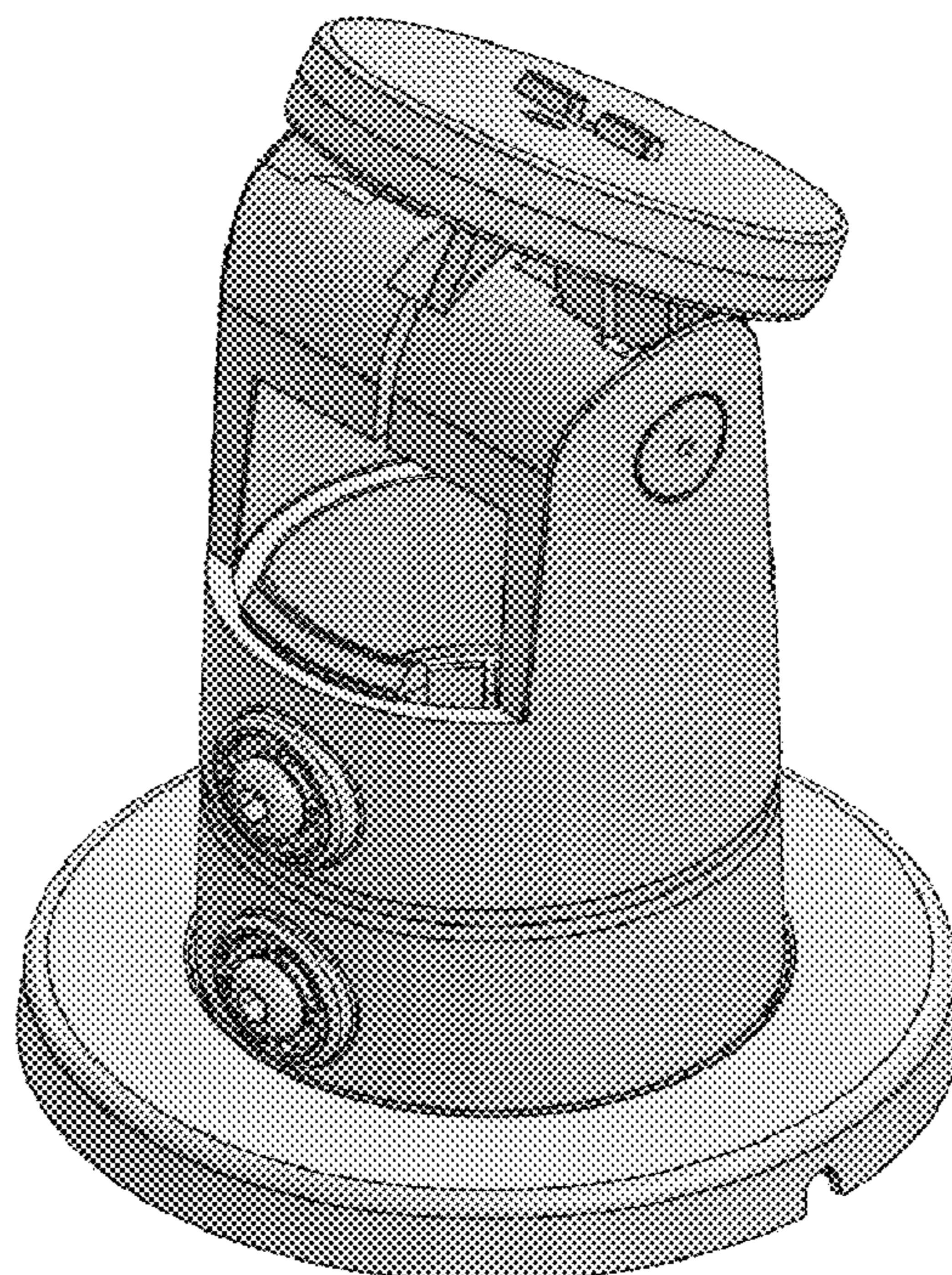
(57) **CLAIM**

I claim the ornamental design for support for computer terminals, mobile payment terminals, and computer keyboards, as shown and described.

DESCRIPTION

FIG. 1 is a perspective view of a support for computer terminals, mobile payment terminals, and computer keyboards showing my new design;
FIG. 2 is a front view of the supporting means of FIG. 1;
FIG. 3 is a back view thereof;
FIG. 4 is a left side view thereof;
FIG. 5 is a right side view thereof;
FIG. 6 is a top view thereof; and,
FIG. 7 is a bottom view thereof.

1 Claim, 7 Drawing Sheets



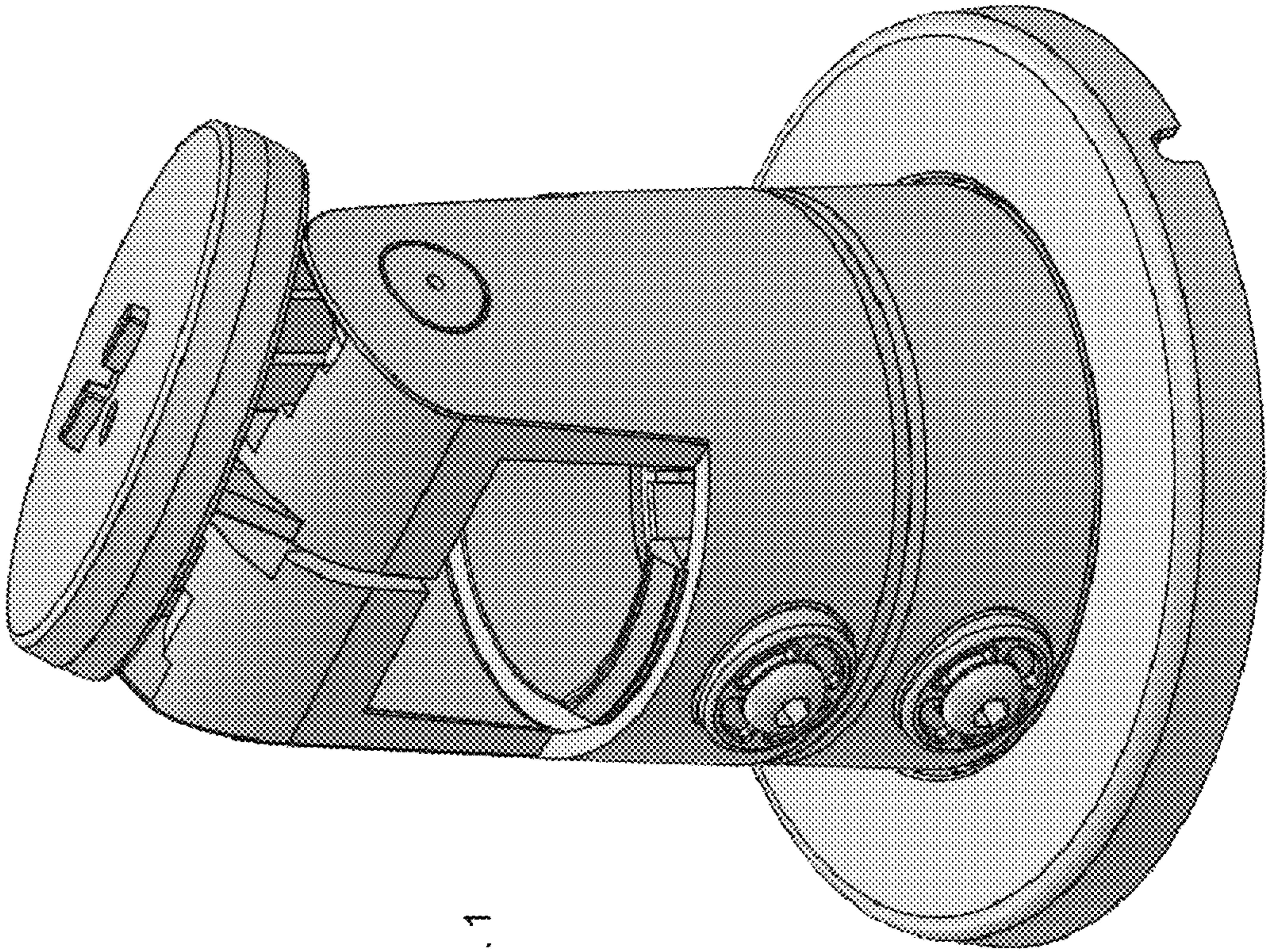


FIG. 1

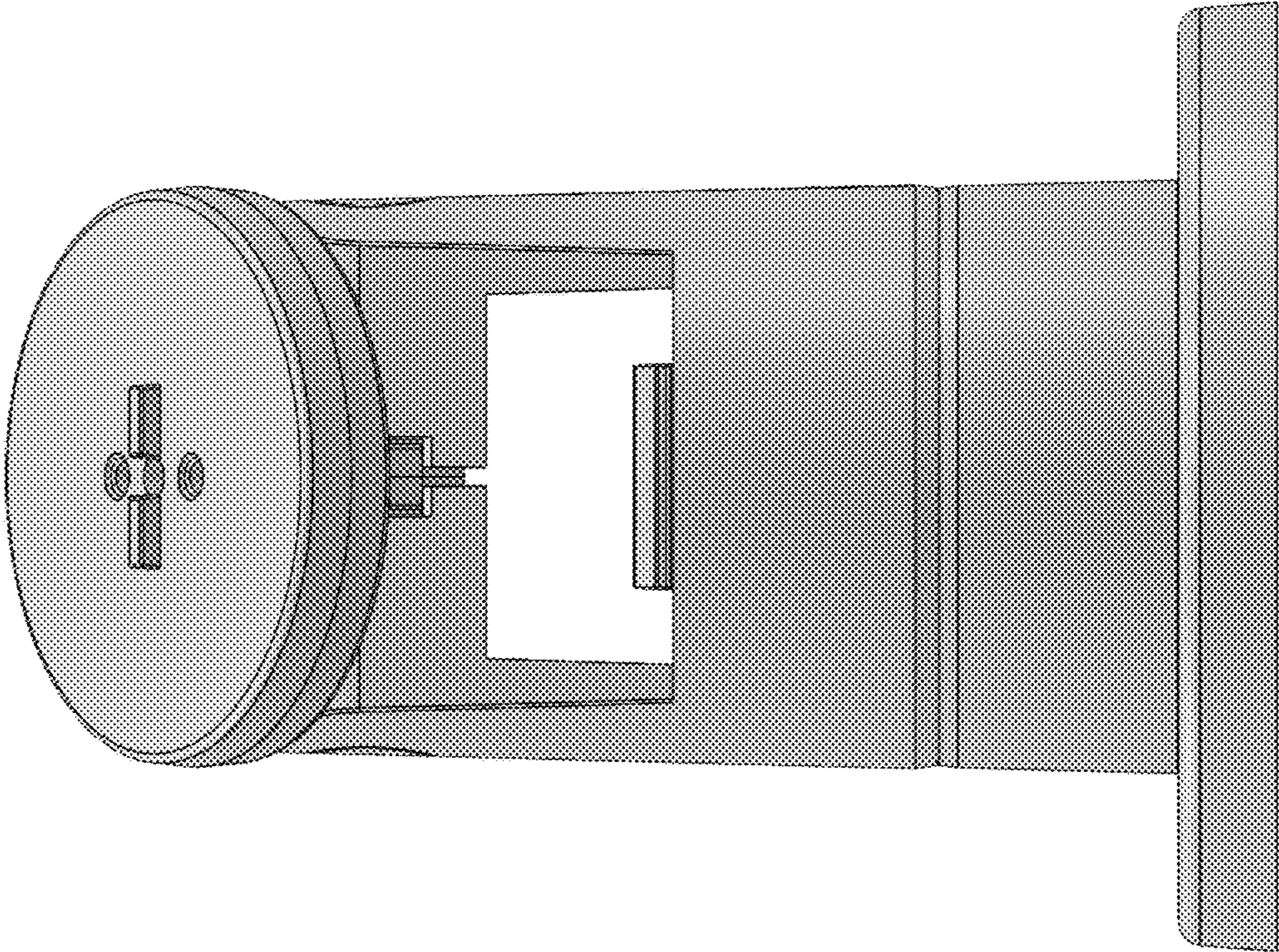
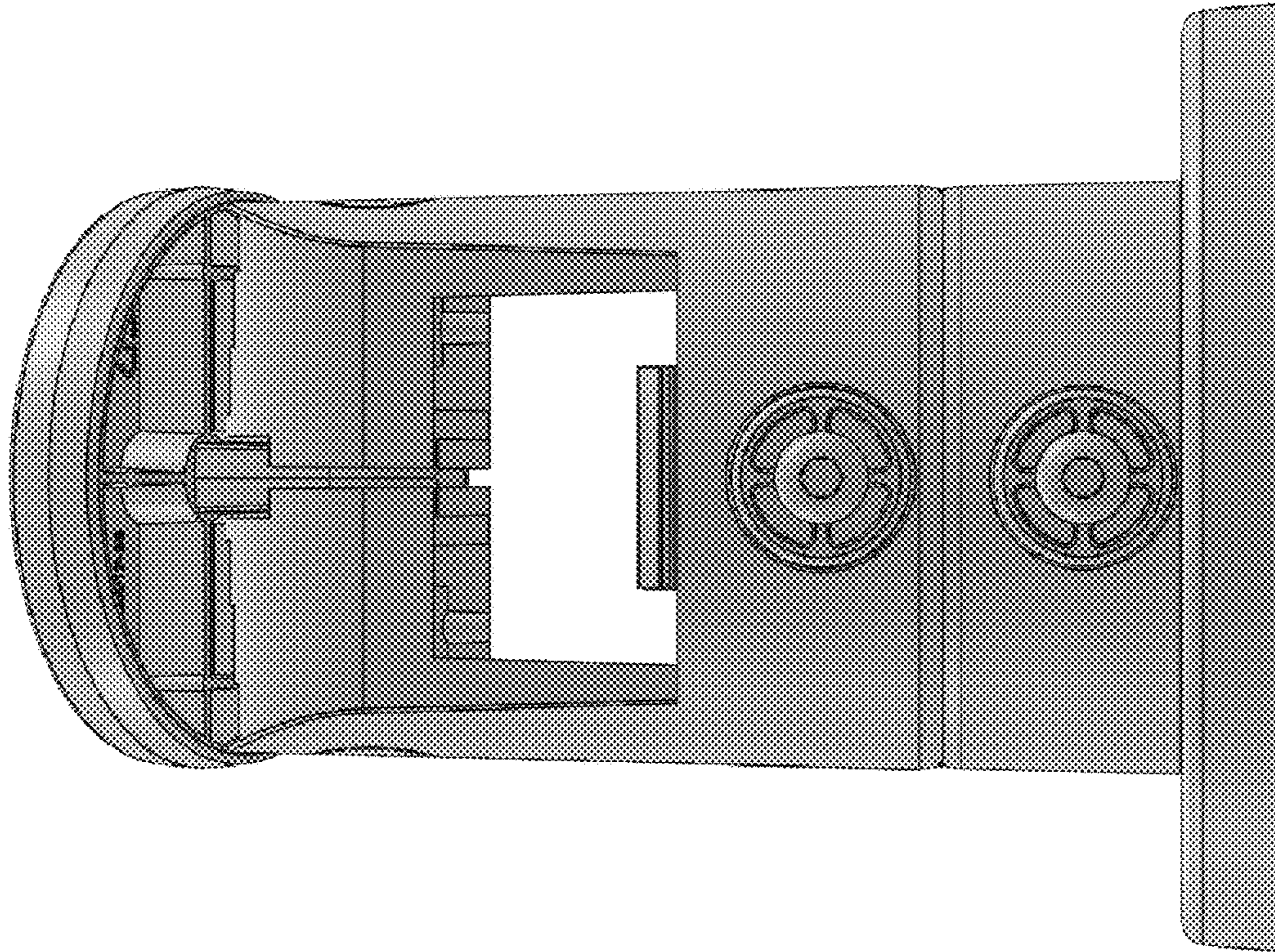


FIG. 2

FIG. 3



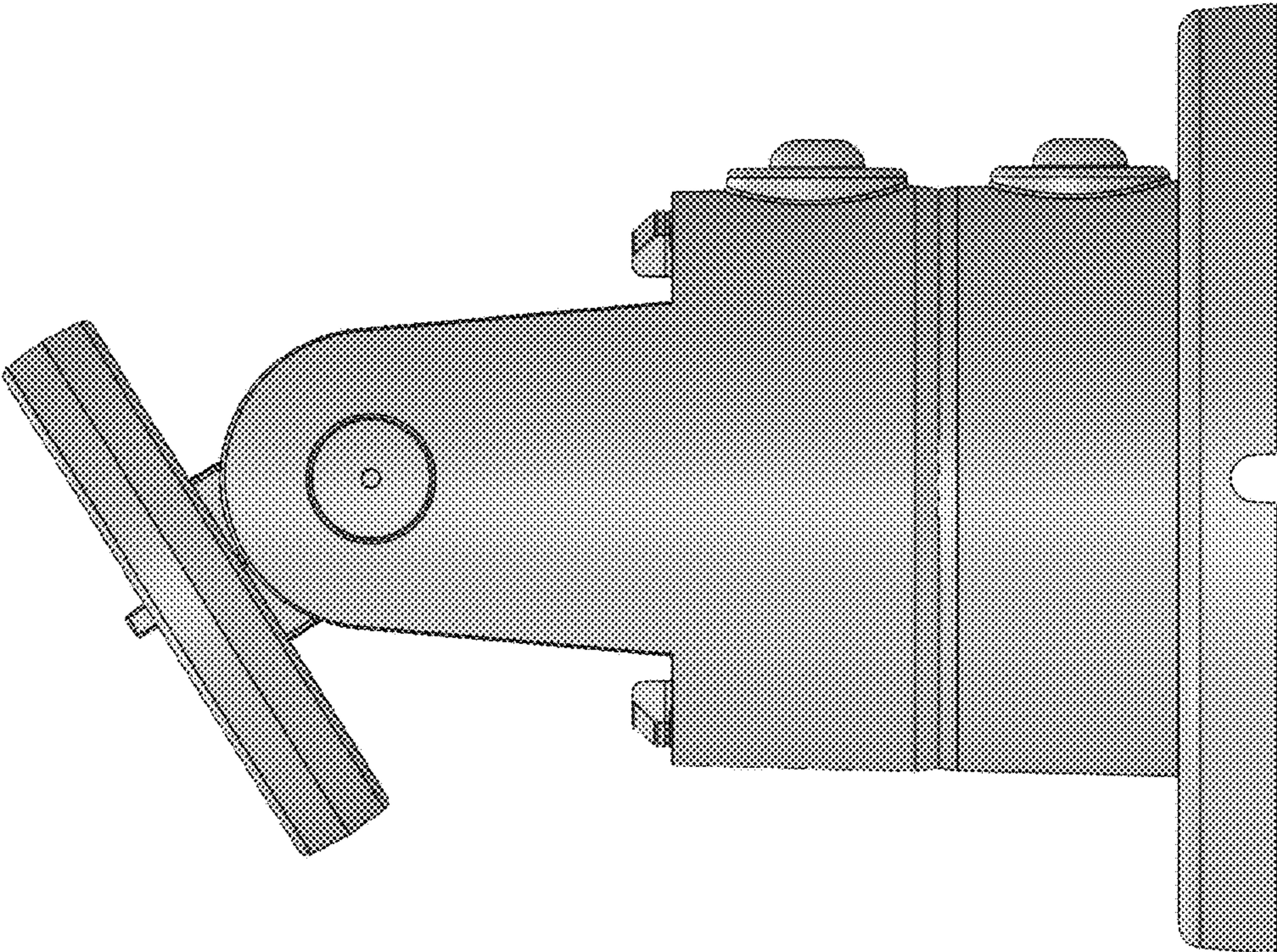


FIG. 4

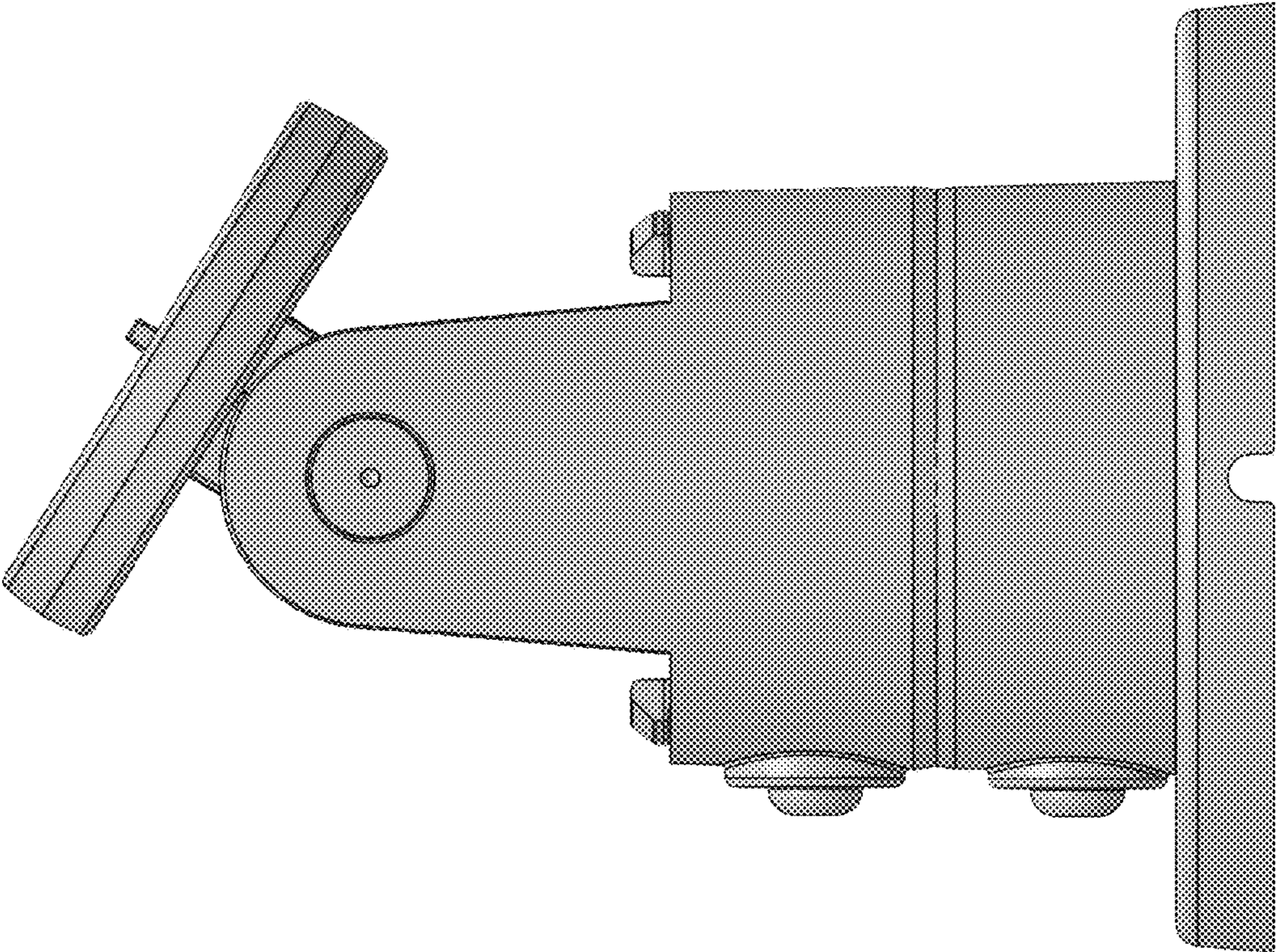


FIG. 5

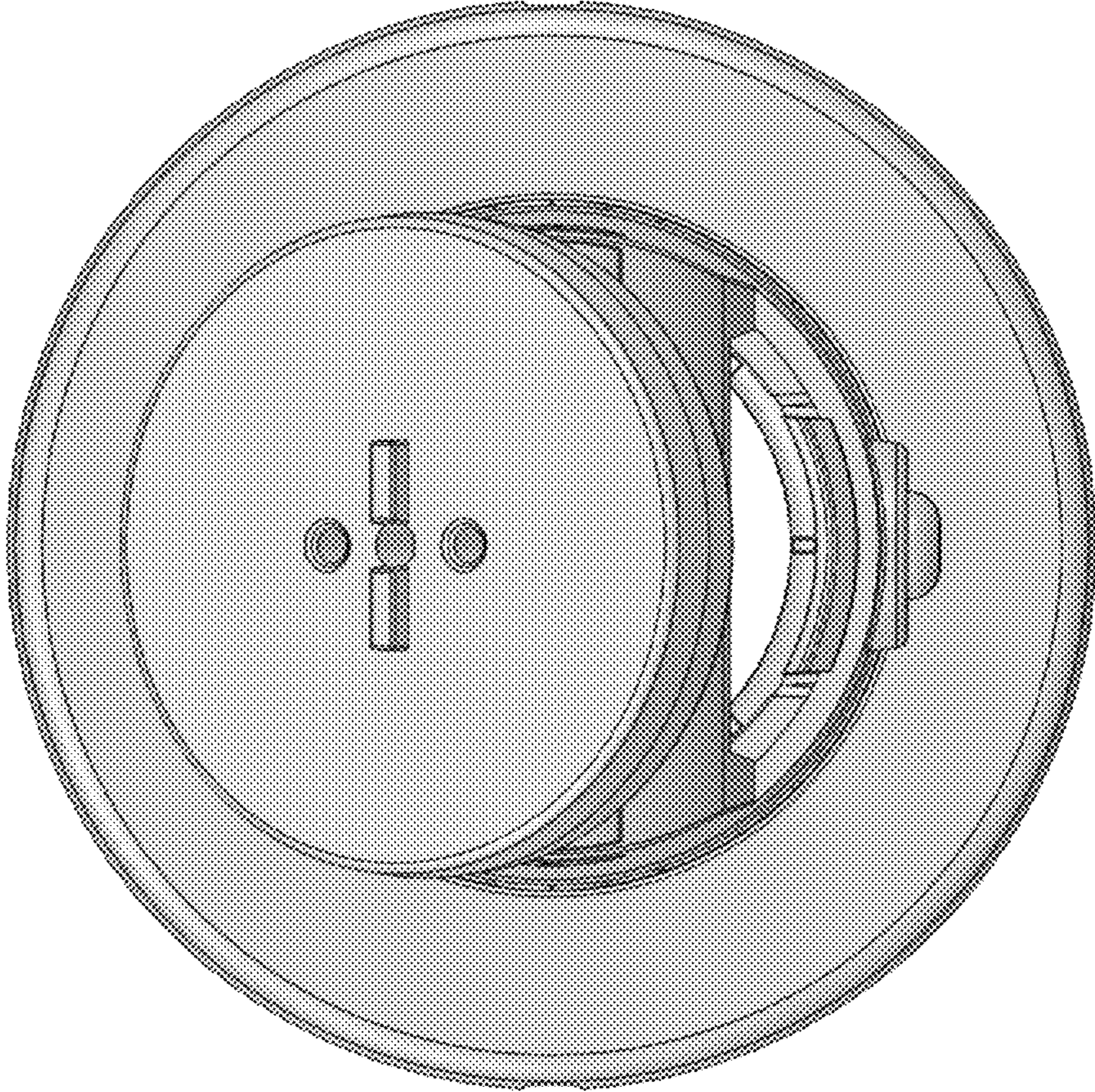


FIG. 6

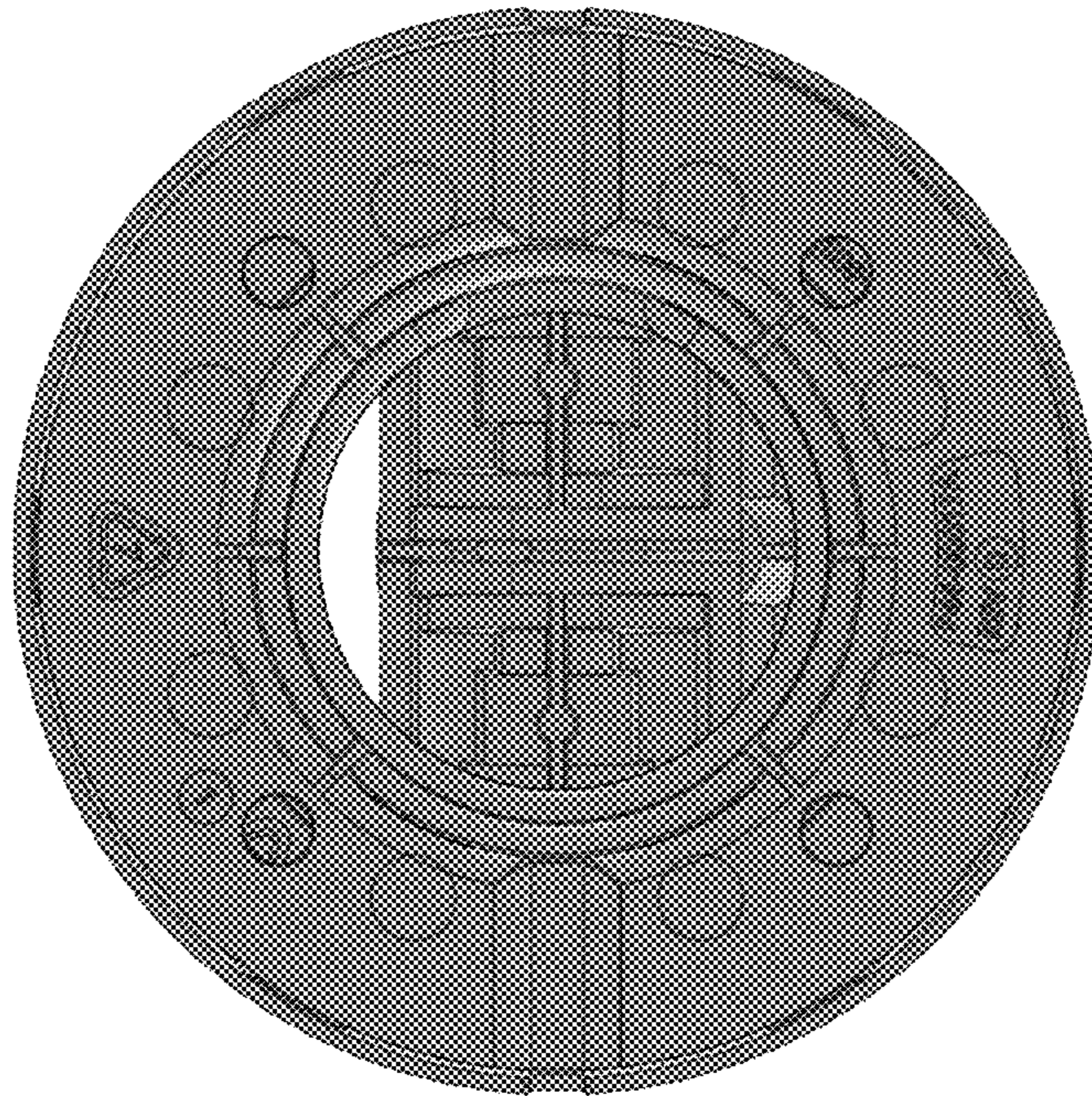


FIG. 7